

# artos<sup>®</sup>

## TEM09255W

## INSTALLATION GUIDE

Empire Classic 36" x 22"  
Hardwired Towel Dryer

BRUSHED NICKEL(BN)



CHROME(CH)



BLACK(BK)



POLISHED NICKEL(PN)

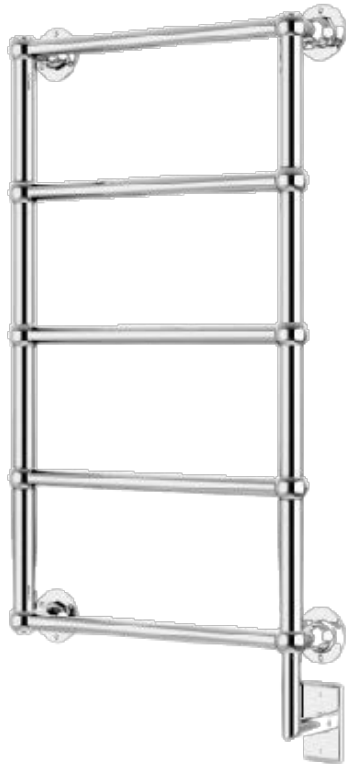


# artos

TEM09255W

Empire Classic Hardwired Towel  
Dryer

## OPERATING SPECIFICATIONS



### FEATURES

Towel warming, drying and auxiliary heating.

### ELEMENT

300W, 110V

### CODES

UL Approved

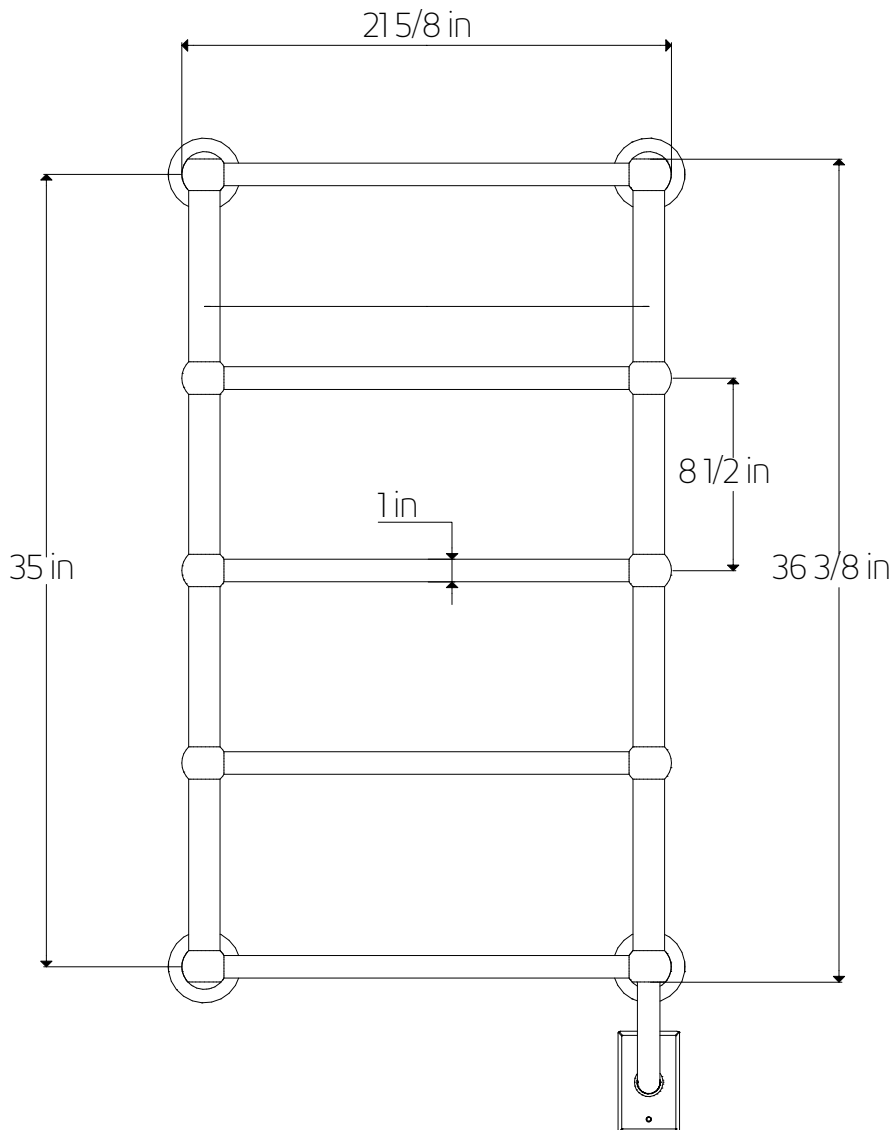
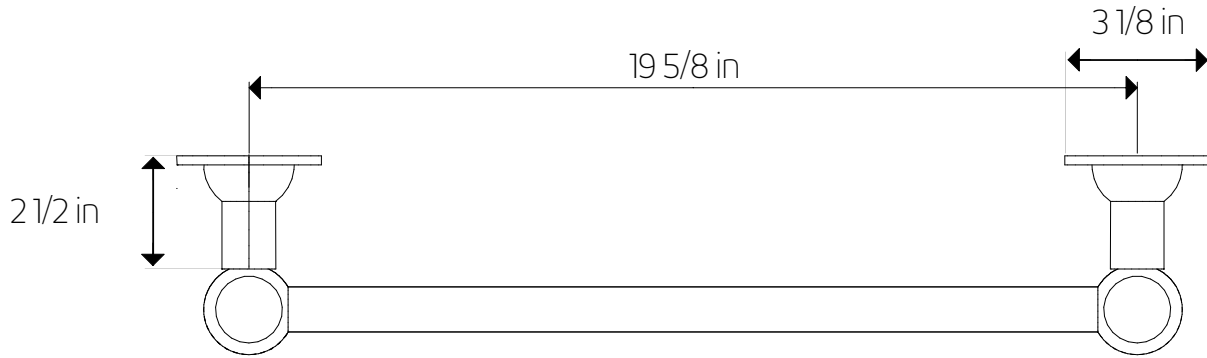
CSA-US Approved

# artos<sup>®</sup>

## TEM09255W

Empire Classic Hardwired Towel  
Dryer

### PRODUCT DIMENSIONS



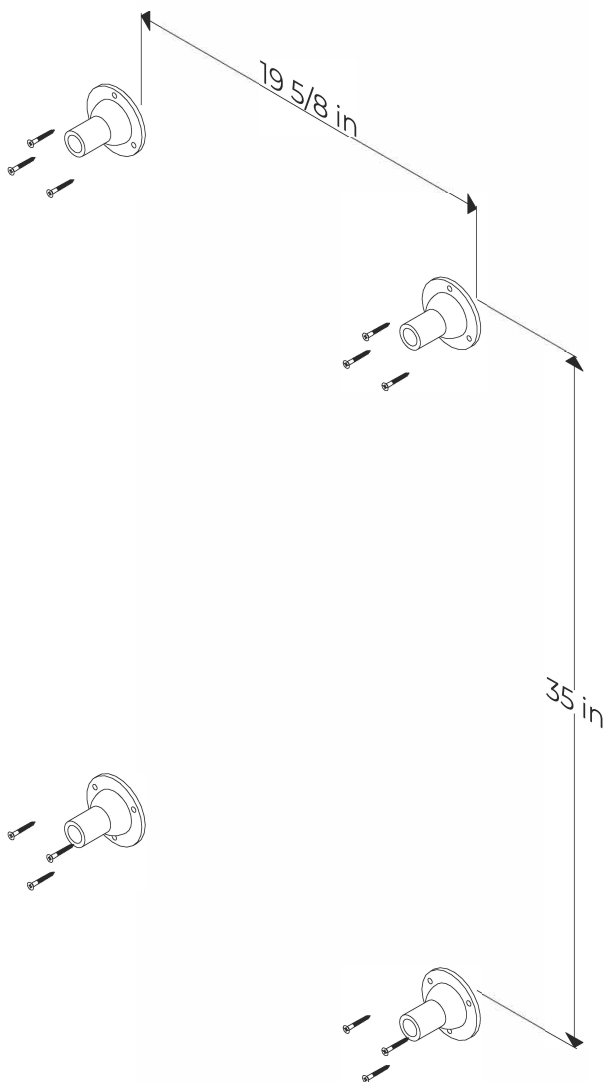
# artos<sup>®</sup>

## TEM09255W

Empire Classic Hardwired Towel  
Dryer

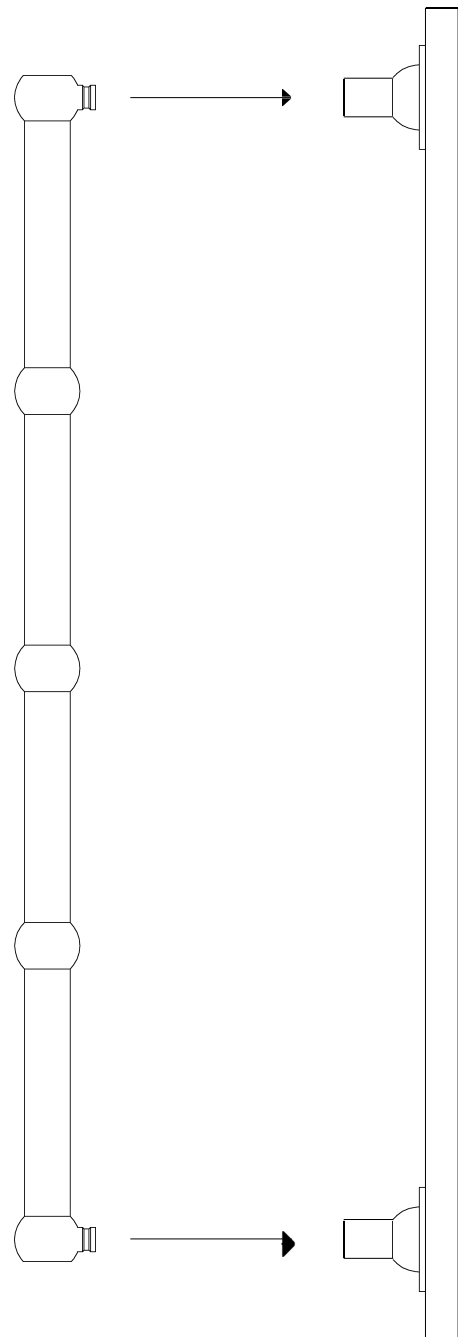
### STEP 1

WE RECOMMEND THAT AT LEAST  
2 OF THE WALL BRACKETS ARE  
SECURED INTO A STUD OR BACKER



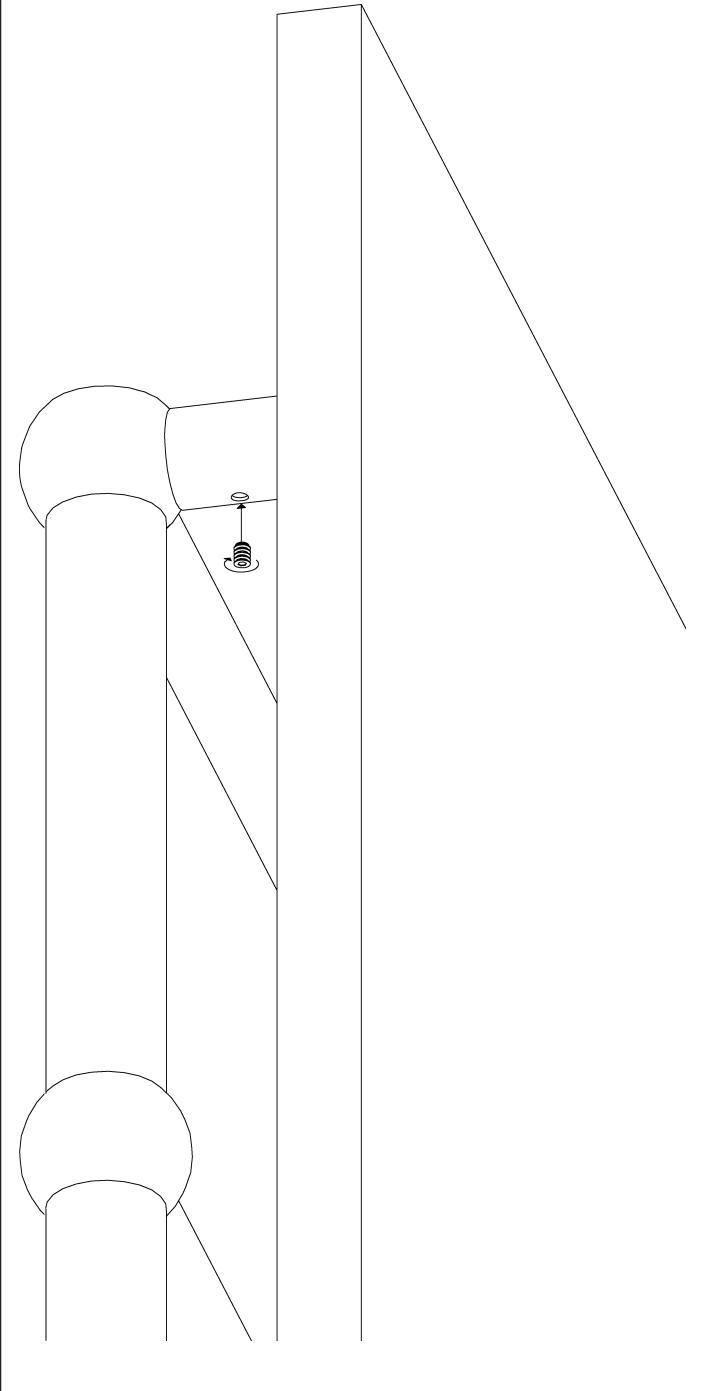
### STEP 2

PLACE TOWEL DRYER ONTO  
WALL BRACKETS

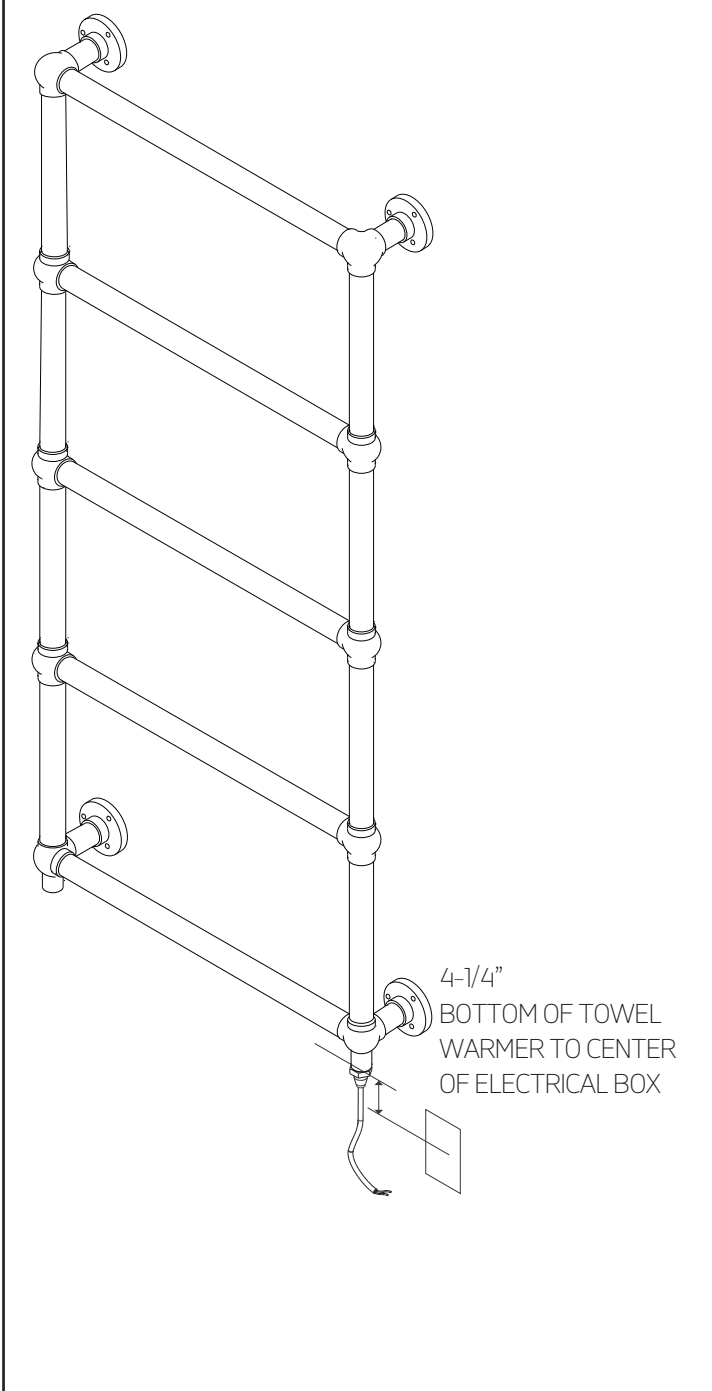


# INSTALLATION STEPS

**STEP 3** TIGHTEN 4 SET SCREWS,  
1 PER BRACKET



**STEP 4** \*ALL DIMENSIONS ARE APPROXIMATE

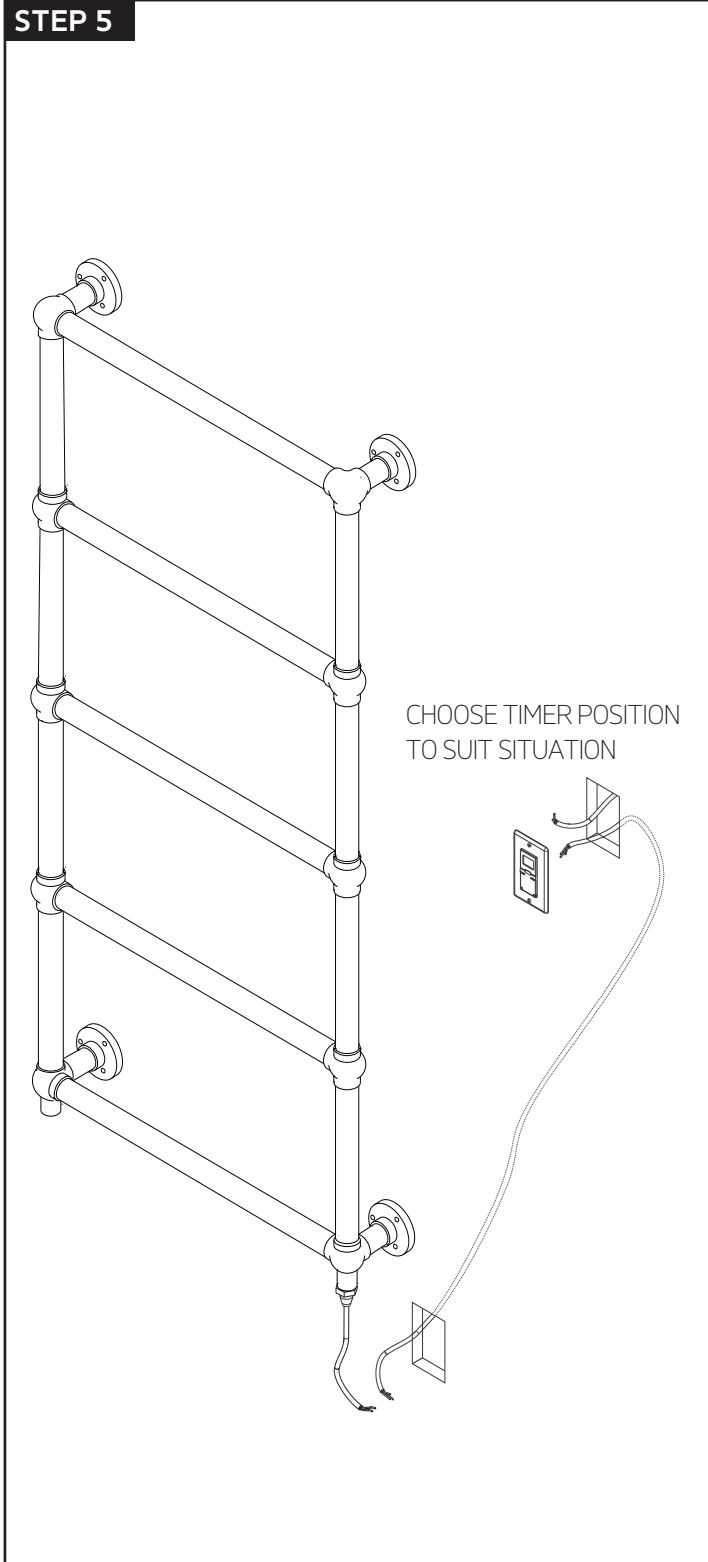


# artos<sup>®</sup>

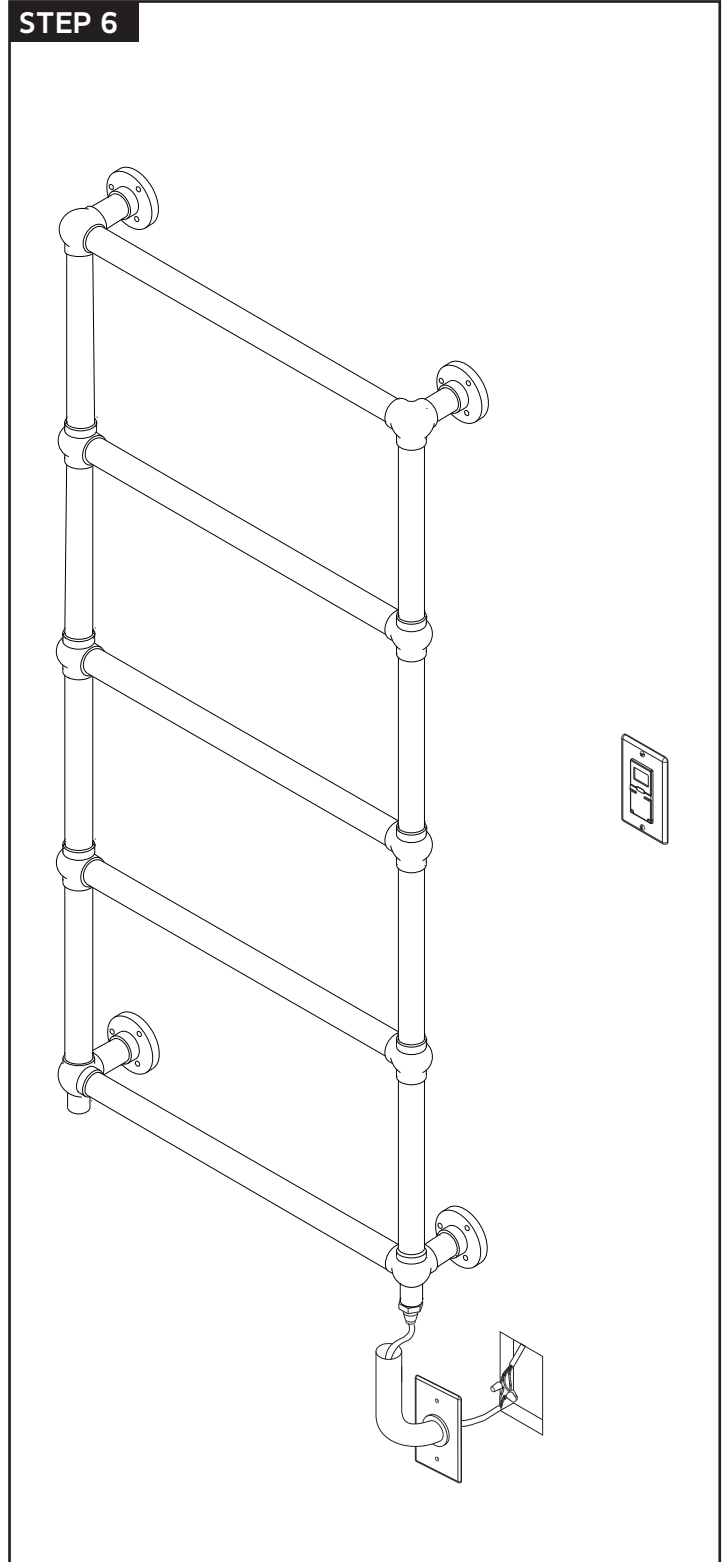
## TEM09255W

Empire Classic Hardwired Towel  
Dryer

### STEP 5

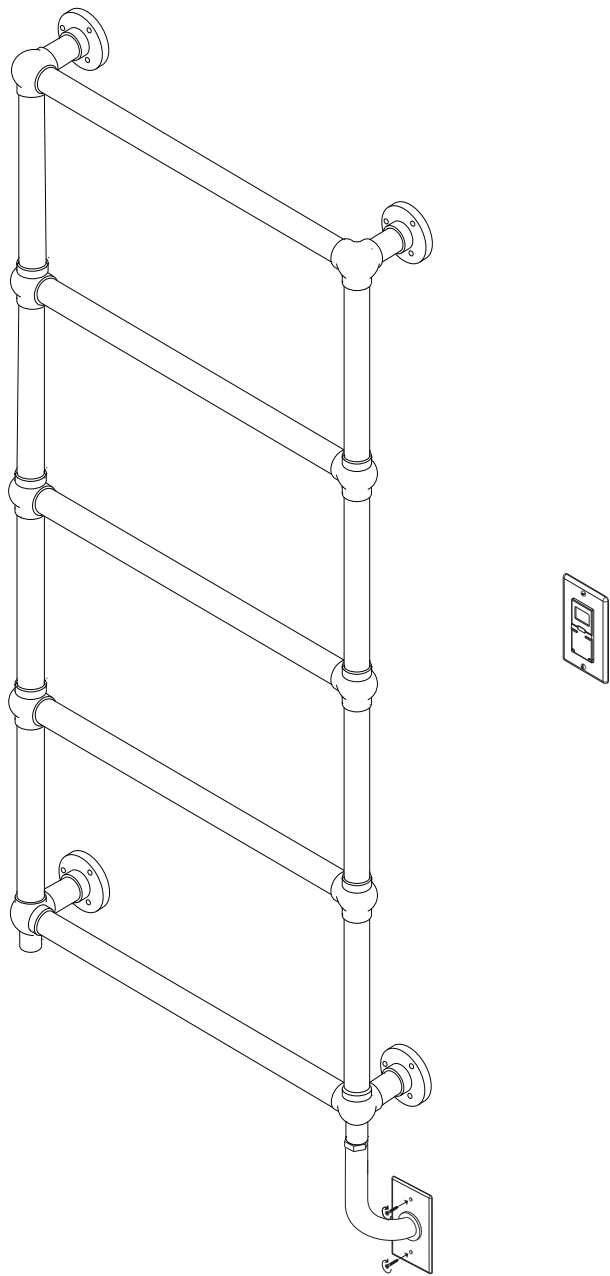


### STEP 6



# INSTALLATION STEPS

## STEP 7



TIGHTEN PLATE COVER SCREWS

# artos<sup>®</sup>

## TEM09255W

Empire Classic Hardwired Towel  
Dryer

### PARTS BREAKDOWN

- ① WALL BRACKET SCREWS (4)
- ② WALL BRACKETS (4)
- ③ WALL BRACKET SET SCREWS (4)
- ④ TOWEL DRYER
- ⑤ HARDWIRE KIT BACKPLATE
- ⑥ HARDWIRE KIT SECURING RING
- ⑦ HARDWIRE KIT ELBOW

