

artos[®]

TEM09255P

Empire Classic 36" x 22" Plug-in
Towel Dryer

INSTALLATION GUIDE

BRUSHED NICKEL(BN)



CHROME(CH)



BLACK(BK)



POLISHED NICKEL(PN)

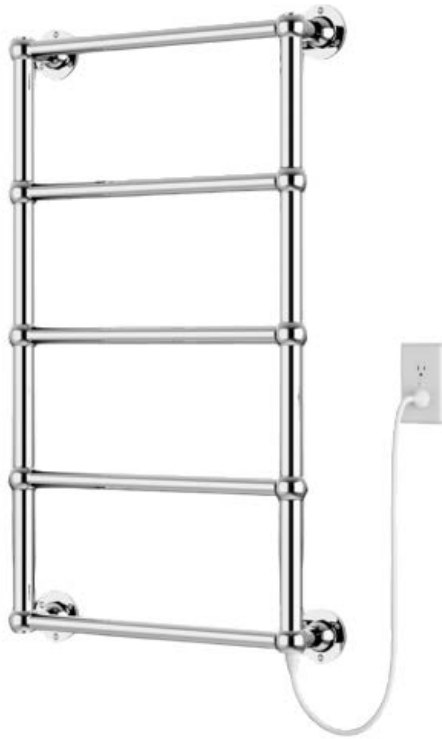


artos

TEM09255P

Empire Classic Plugin Towel
Dryer

OPERATING SPECIFICATIONS



FEATURES

Towel warming, drying and auxiliary heating.

ELEMENT

300W, 110V

CODES

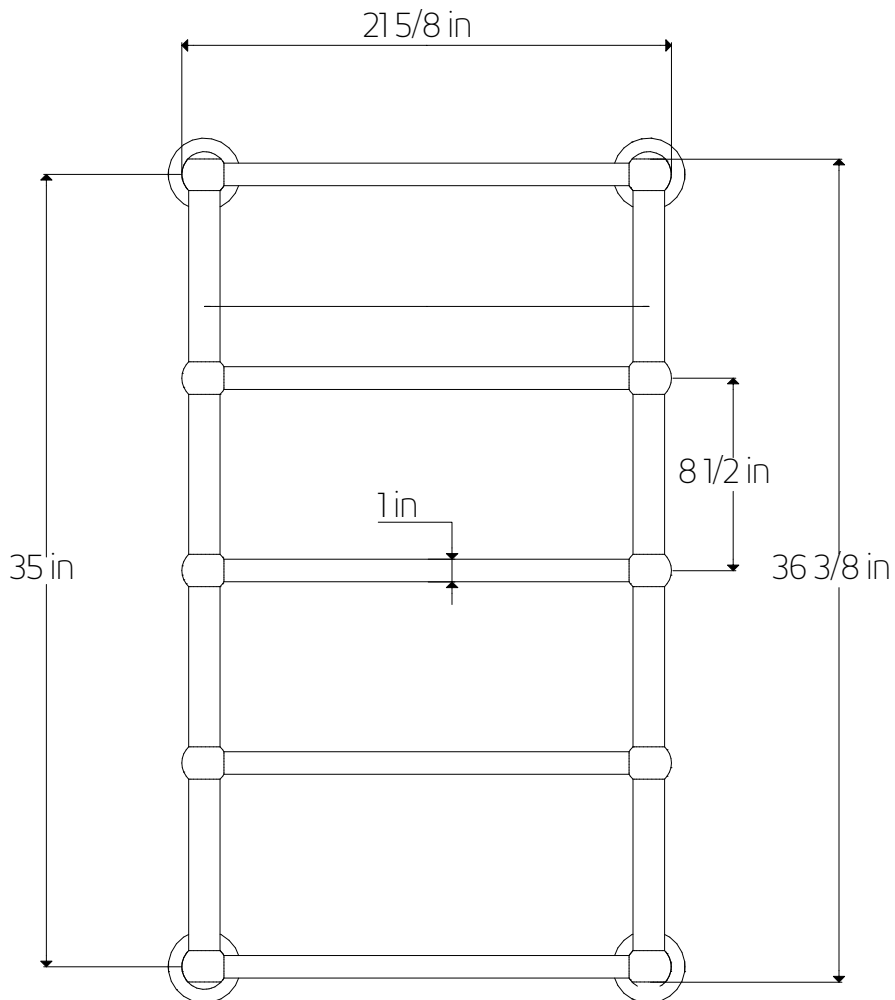
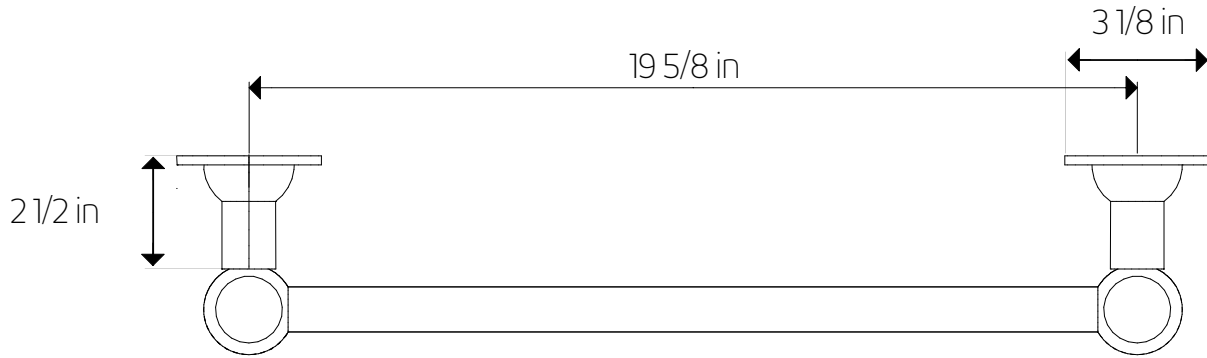
UL Approved
CSA-US Approved

artos[®]

TEM09255P

Empire Classic Plugin Towel
Dryer

PRODUCT DIMENSIONS

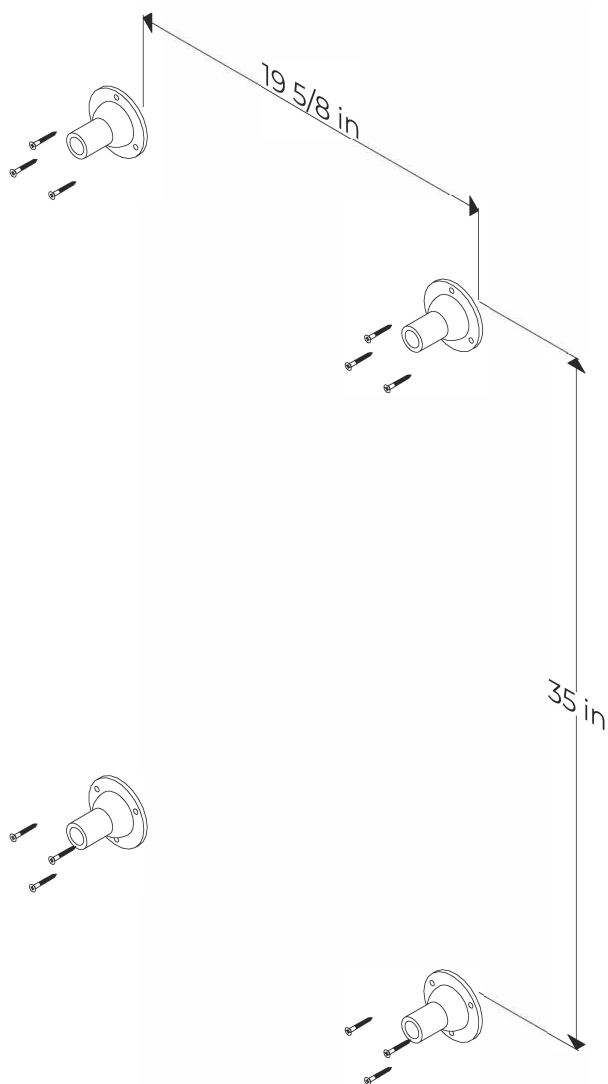


artos[®]

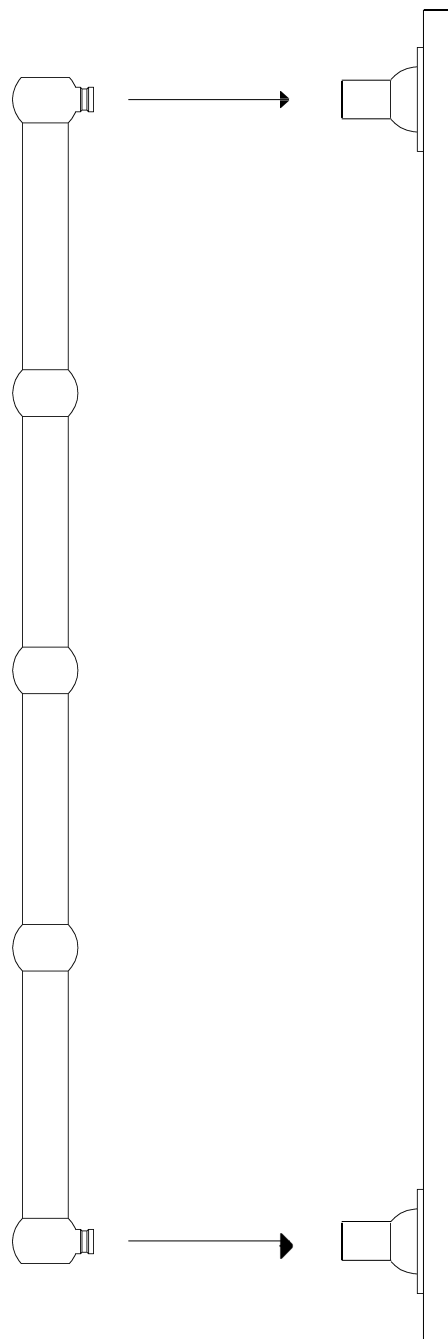
TEM09255P

Empire Classic Plugin Towel
Dryer

STEP 1 WE RECOMMEND THAT AT LEAST 2 OF THE WALL BRACKETS ARE SECURED INTO A STUD OR BACKER



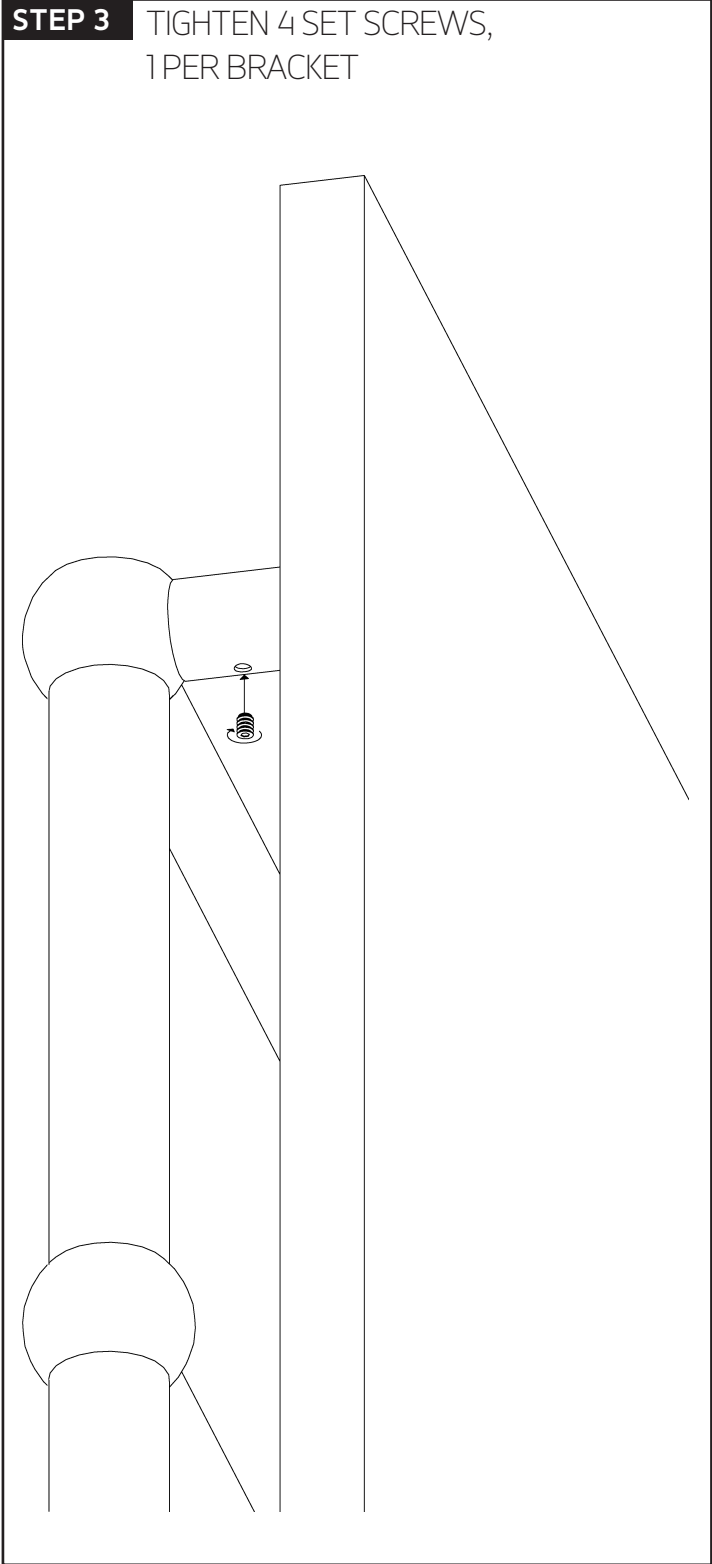
STEP 2 PLACE TOWEL DRYER ONTO WALL BRACKETS



INSTALLATION STEPS

STEP 3

TIGHTEN 4 SET SCREWS,
1 PER BRACKET



artos[®]

TEM09255P

Empire Classic Plugin Towel
Dryer

PARTS BREAKDOWN

- ① WALL BRACKET SCREWS (4)
- ② WALL BRACKETS (4)
- ③ WALL BRACKET SET SCREWS (4)
- ④ TOWEL DRYER
- ⑤ ELEMENT

