

# artos<sup>®</sup>

TA545

INSTALLATION GUIDE

trova towel ring square

BRUSHED NICKEL(BN)



CHROME(CH)



BLACK (BK)



SATIN BRASS (SB)

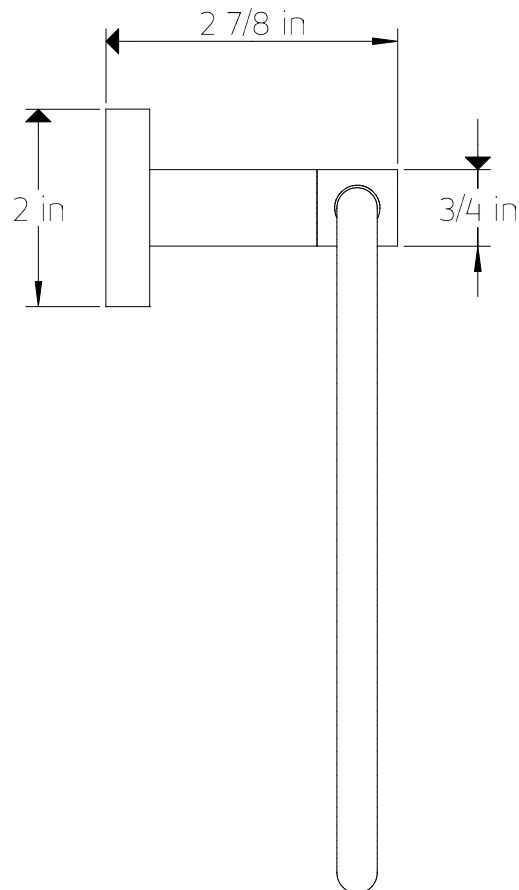
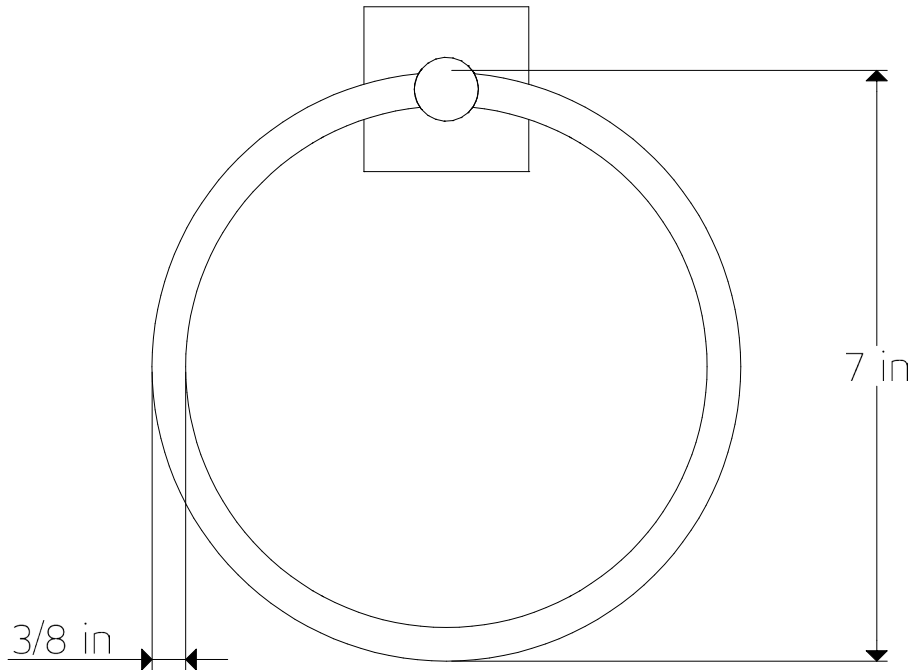


# artos<sup>®</sup>

TA545

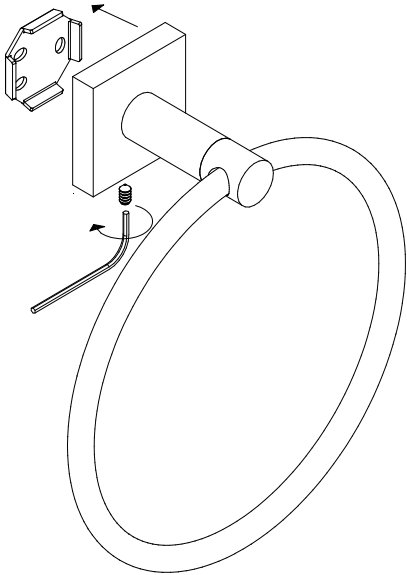
PRODUCT DIMENSIONS

trova towel ring square

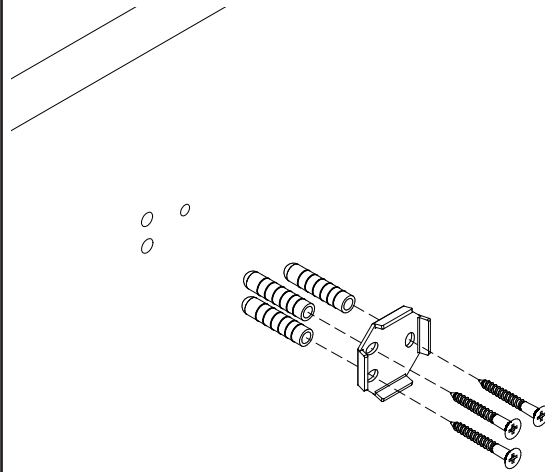


## INSTALLATION STEPS

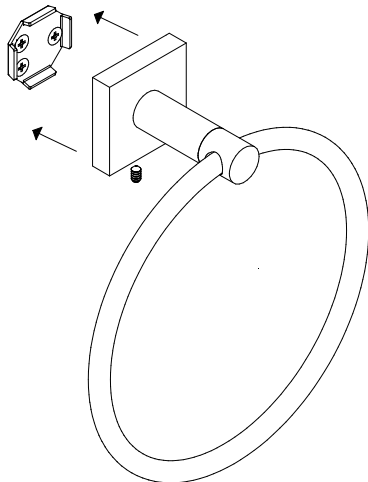
**STEP 1** Loosen the set screw of the body assembly, pull out the mounting bracket.



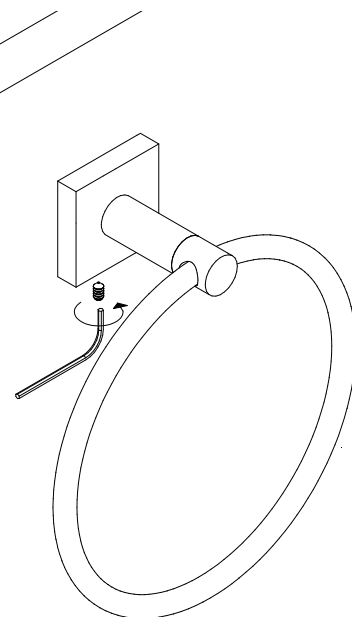
**STEP 2** Install mounting bracket to the wall with screws (supplied) and anchors (if applicable).



**STEP 3** Slide body assembly onto mounting bracket.



**STEP 4** Tighten set screw with allen key (supplied)

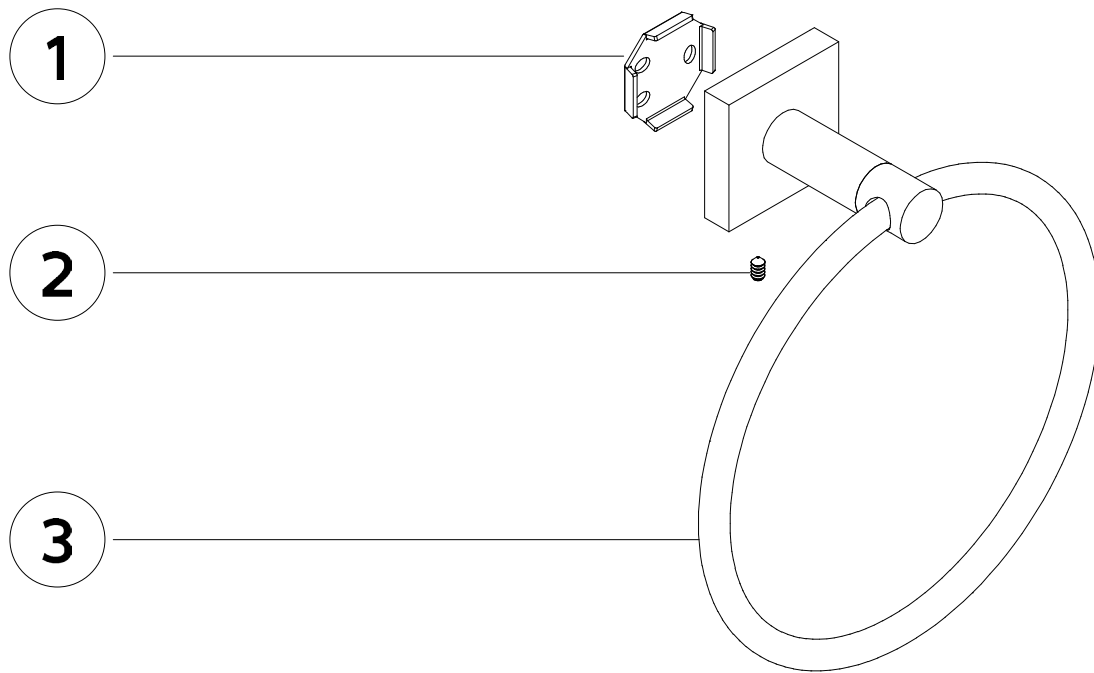


# artos<sup>®</sup>

TA545

**PARTS BREAKDOWN**

trova towel ring square



- 1** MOUNTING BRACKET
- 2** SET SCREW
- 3** TOWEL RING