

artos[®]

TA505

trova robe hook square

INSTALLATION GUIDE

BRUSHED NICKEL(BN)



CHROME(CH)



BLACK (BK)



SATIN BRASS (SB)

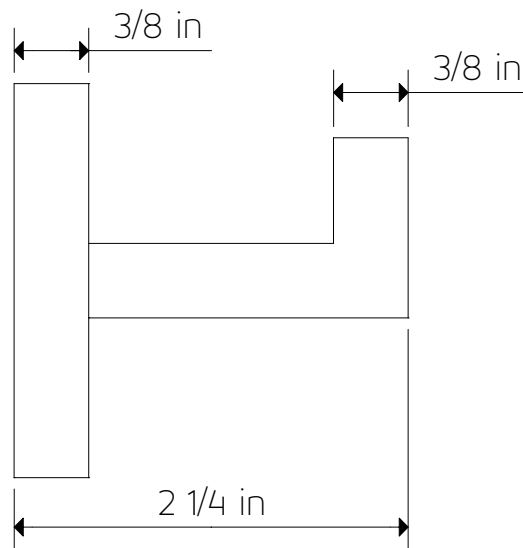
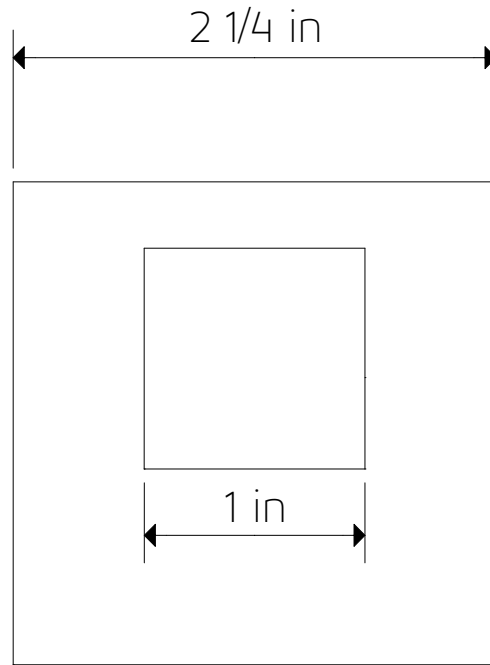


artos[®]

TA505

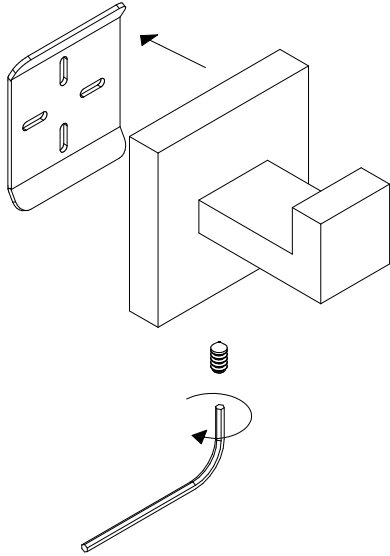
PRODUCT DIMENSIONS

trova robe hook square

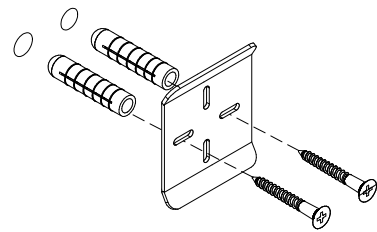


INSTALLATION STEPS

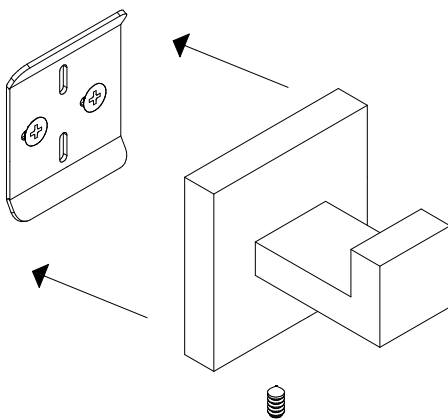
STEP 1 Loosen the set screw of the body assembly, pull out the mounting bracket.



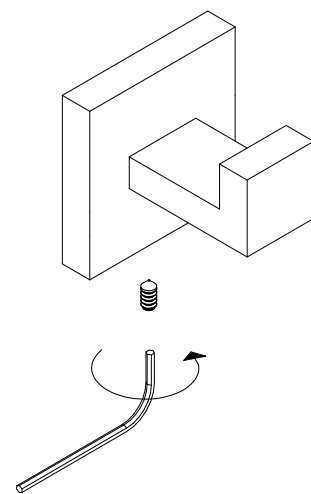
STEP 2 Install mounting bracket to the wall with screws (supplied) and anchors (if applicable).

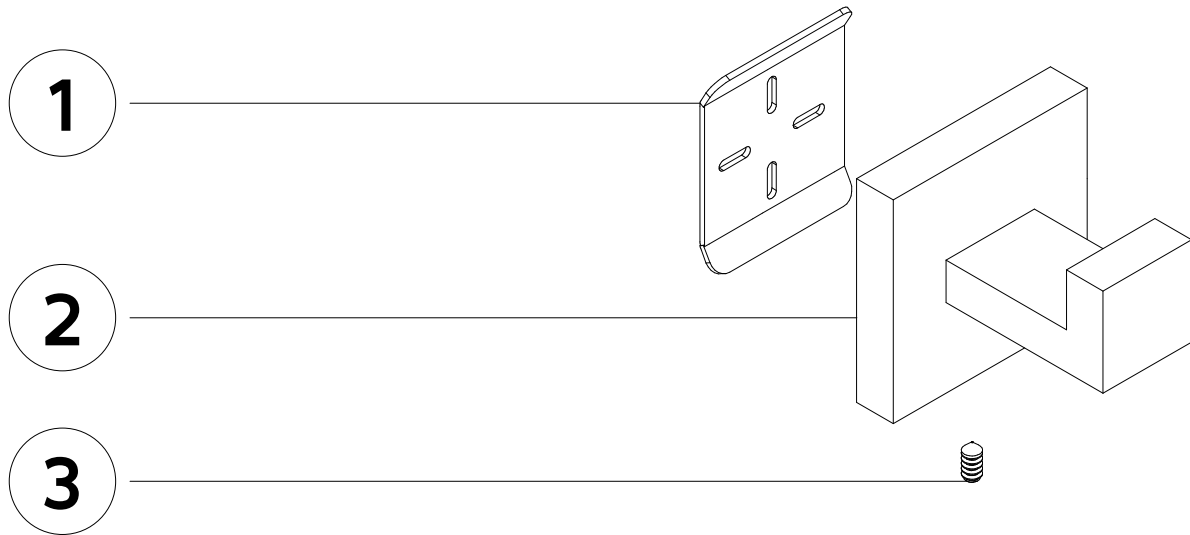


STEP 3 Slide body assembly onto mounting bracket.



STEP 4 Tighten set screw with allen key (supplied)





- 1** MOUNTING BRACKET
- 2** ROBE HOOK
- 3** SET SCREW