

# artos<sup>®</sup>

TA415

## TECHNICAL SPECIFICATIONS

trova toilet holder

BRUSHED NICKEL(BN)



CHROME(CH)



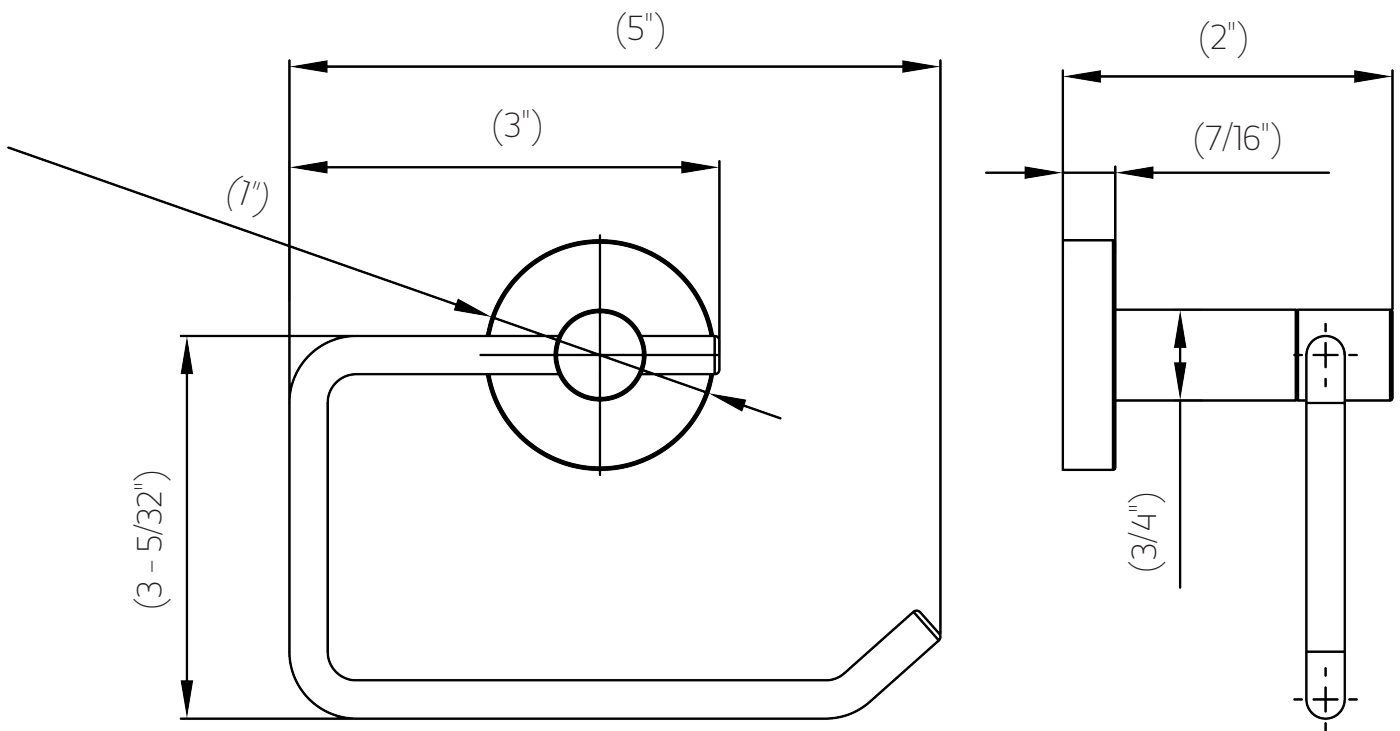
BLACK (BK)



SATIN BRASS (SB)



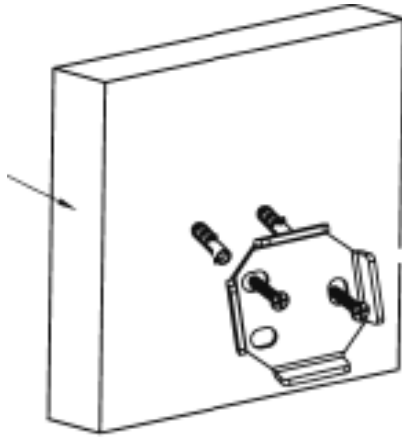
trova toilet holder



trova toilet holder

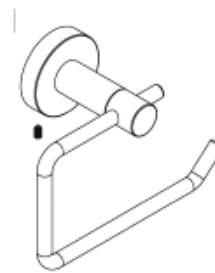
### STEP 1

Install mounting bracket to the wall with screws (supplied) and anchors (if applicable).



### STEP 2

Slide body assembly onto mounting bracket.



### STEP 3

Tighten set screw with allen key (supplied)

