

TA405

Round Robe Hook

artos®

INSTALLATION GUIDE



TA405

Round Robe Hook

artos®

OPERATING SPECIFICATIONS

MATERIAL

Stainless Steel

FEATURES

Removable Mounting Plate

Easy Stick Backing

STANDARDS

To view all standards, please visit product approvals in our learning hub at artos.us.com



All technical specifications, product details, and pricing are subject to change without prior notice. Artos makes every effort to ensure accuracy; however, errors or omissions may occur. It is the responsibility of the installer, designer, or purchaser to verify all critical dimensions, installation requirements, and compliance with applicable codes prior to use.

Artos assumes no liability for damages, losses, or injuries resulting from the use of this documentation or from product installation, operation, or maintenance performed outside of Artos instructions and applicable codes. Product warranties are limited to those expressly stated by Artos. Please refer to official warranty documentation for complete terms and conditions.

All drawings, manuals, and specifications are the property of Artos and may not be reproduced, distributed, or altered without prior written permission.

TA405

Round Robe Hook

artos®

INDEX

INDEX

Product Dimensions.....pg:4

Round Robe Hook Installation TA405.....pg:5-6

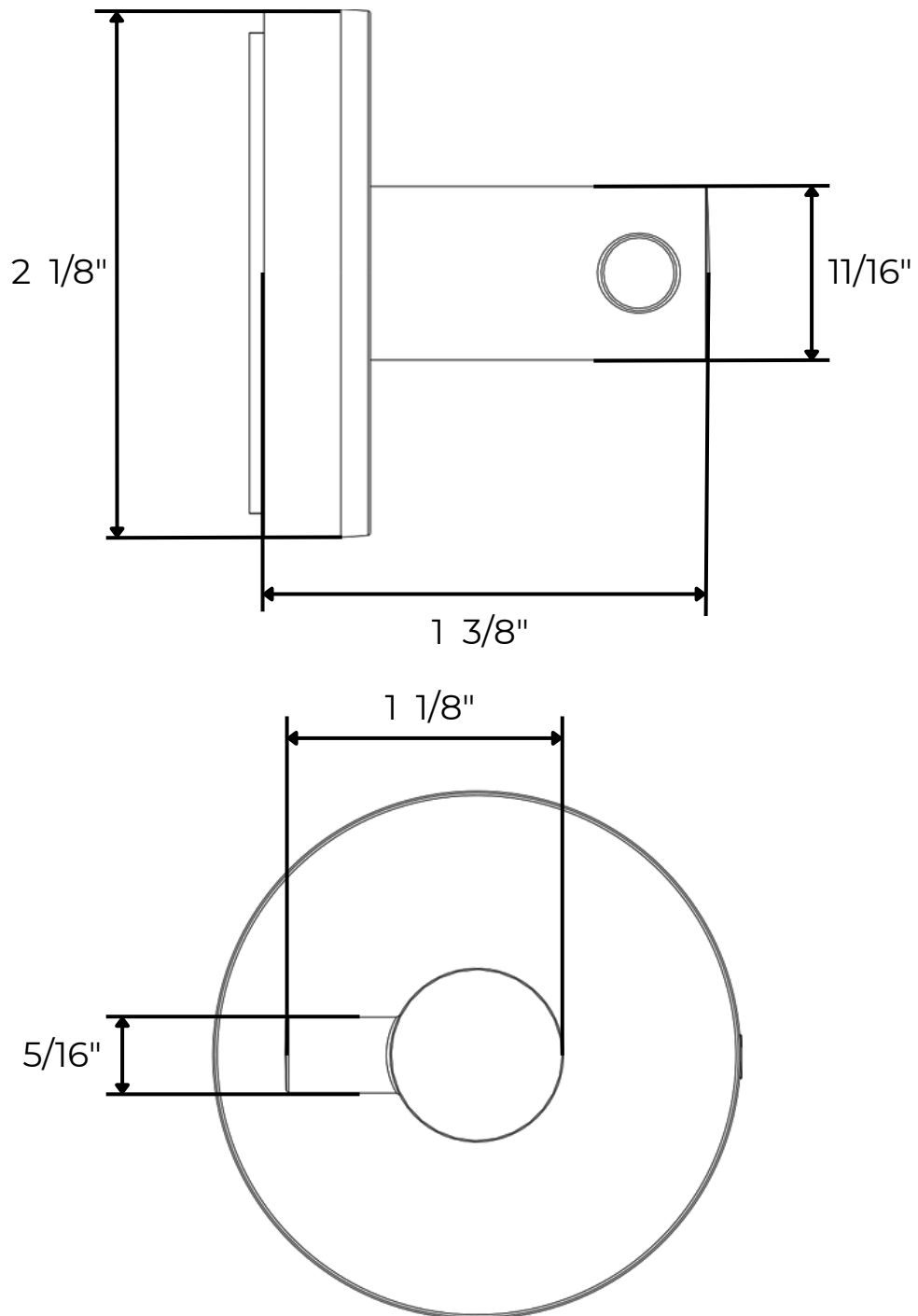
Parts Breakdown TA405.....pg:7

TA405

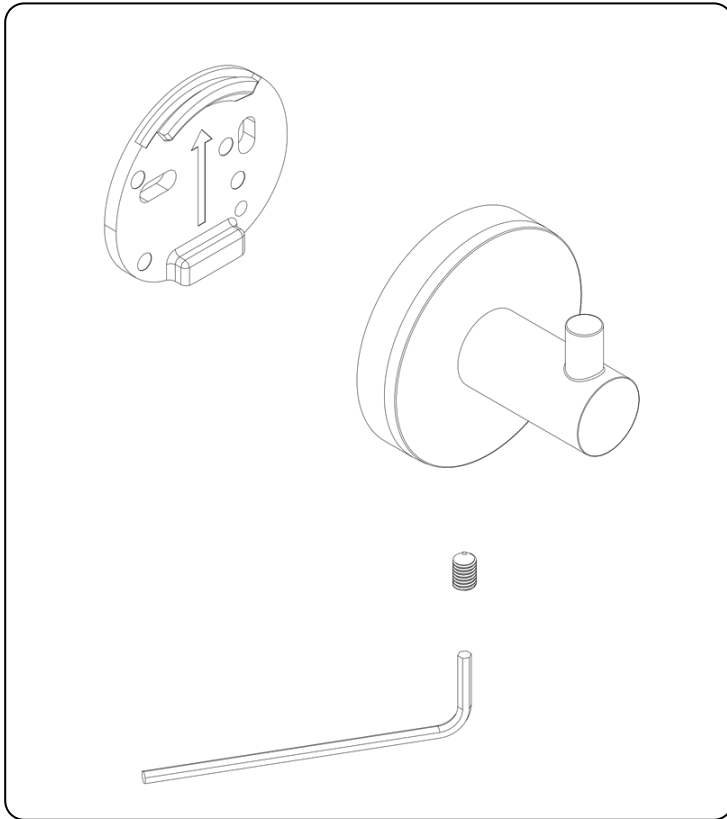
Round Robe Hook

artos®

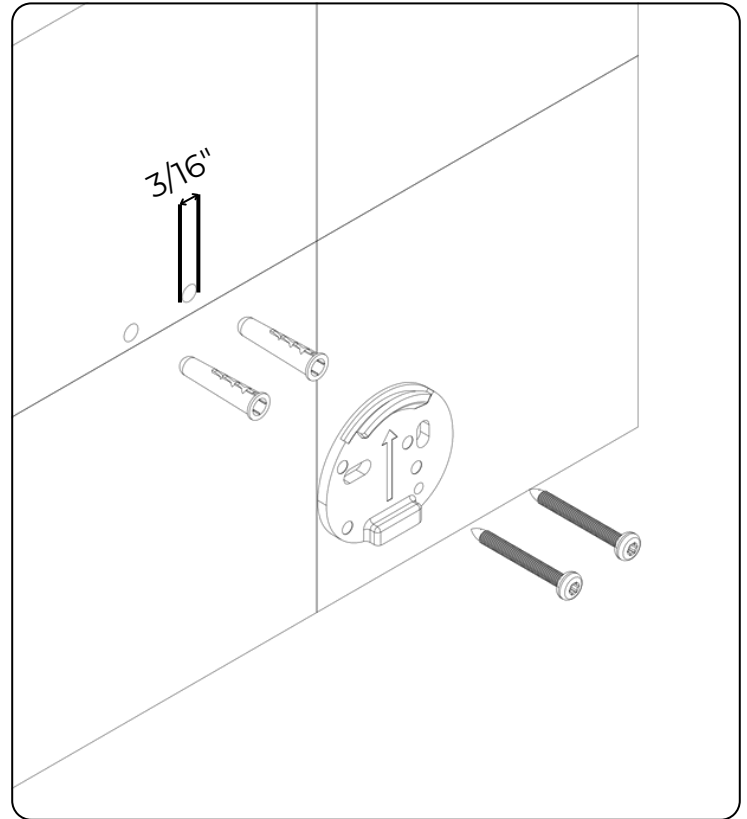
PRODUCT DIMENSIONS



STEP 1



STEP 2



STEP 1

Using an Allen key, carefully unthread and remove the rear set screw. Once loosened, allow the side of the mounting plate with the set screw to drop slightly, then unhook the opposite side to fully detach the removable mounting plate from the body.

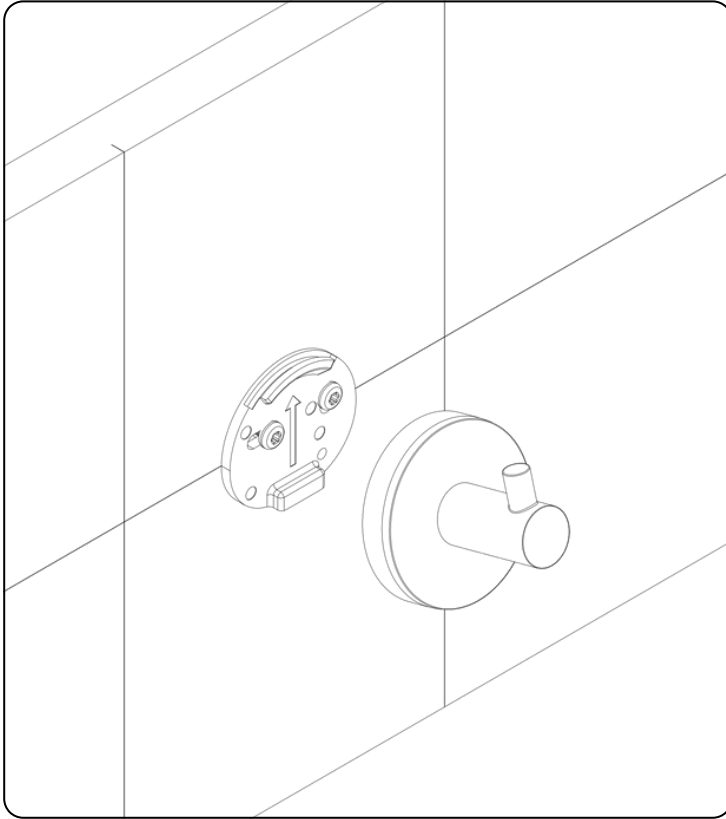
STEP 2

Position the mounting plate against the desired wall surface and ensure it is level with the **orientation arrow pointed up**. Once proper alignment is confirmed, mark the level position on the wall.

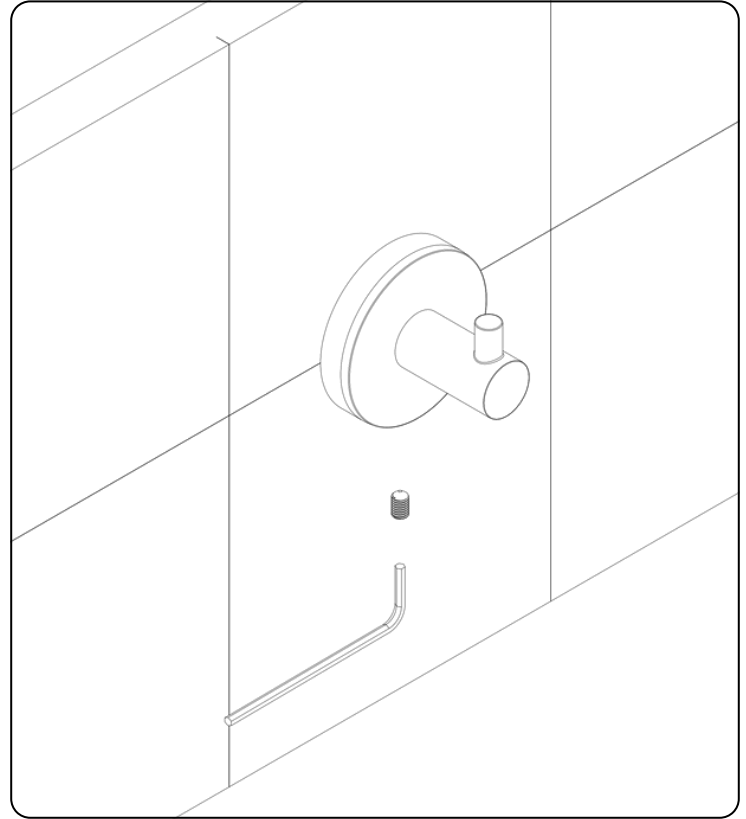
If applicable, drill a **3/16"** pilot hole at the marked location and install a drywall anchor to provide additional support. **Do not over-drill the pilot hole, Anchor Fit should be tight.**

Remove the adhesive tape backing from the mounting plate and firmly press it onto the wall, aligning it precisely with the marked guide line. Secure the mounting plate in place by driving the drywall screw through the mounting hole and into the anchor or wall surface.

STEP 3



STEP 4



STEP 3

Attach the body to the mounted bracket by first engaging the top hook of the body with the corresponding slot on the mounting bracket. Once the top is secured, swivel the lower portion of the body into place until it is fully seated on the mounting plate.

STEP 4

Insert and tighten the set screw through the base of the body into the mounting plate using an Allen key. Ensure the connection is secure, but avoid over-tightening to prevent damage to the components.

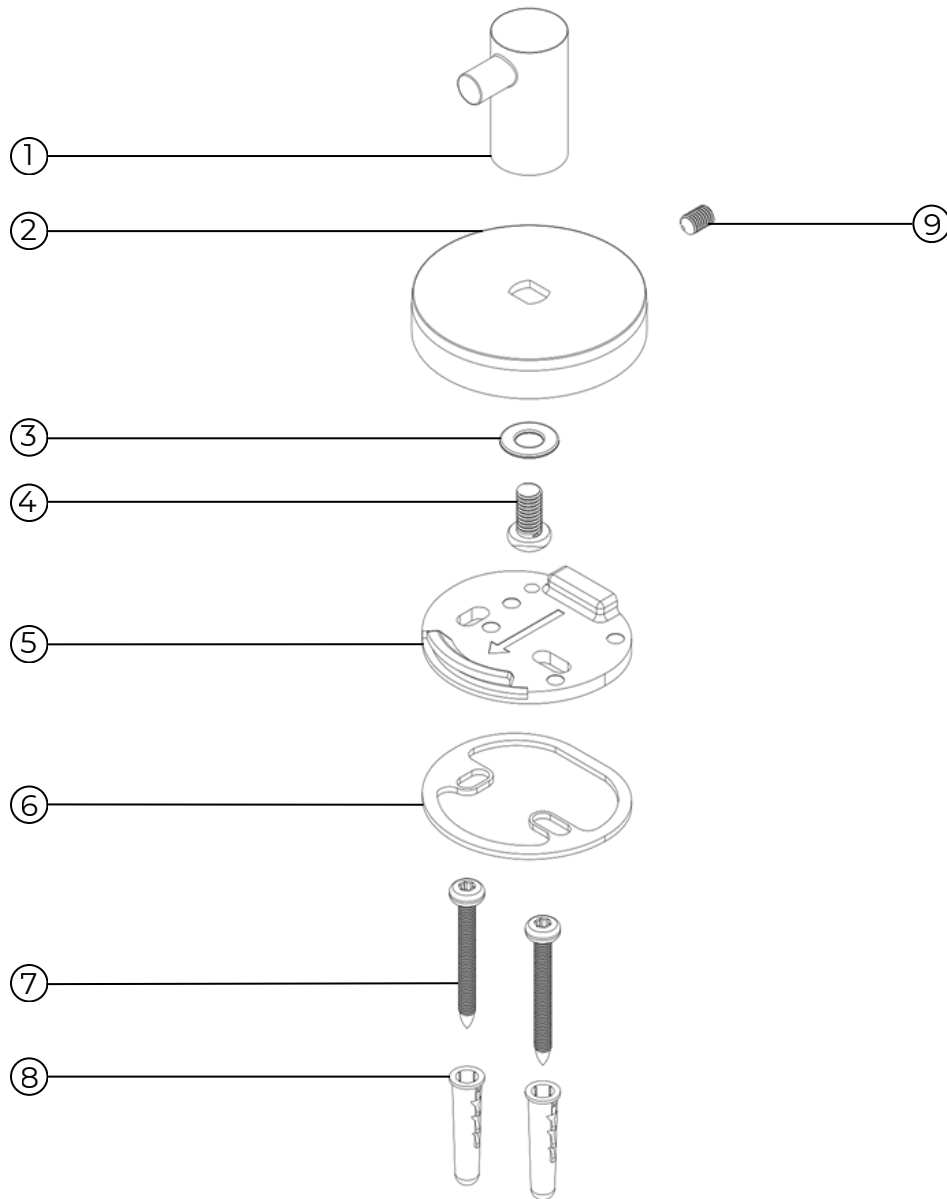
NOTE: The rotation of the hook may be adjusted approximately 20° with set screw depending on the model.

TA405

Round Robe Hook

artos®

PARTS BREAKDOWN



- ① ROBE HOOK
- ② ESCUTCHEON BASE
- ③ WASHER
- ④ ROBE HOOK ALLEN BOLT
- ⑤ DETACHABLE MOUNTING PLATE

- ⑥ EASY STICK FOAM TAPE
- ⑦ DRYWALL SCREW (2)
- ⑧ WALL ANCHOR (2)
- ⑨ SET SCREW