

TA345

Trova Classic Towel Ring

artos®

INSTALLATION GUIDE



TA345

Trova Classic Towel Ring

artos®

OPERATING SPECIFICATIONS



FEATURES

Solid Brass
Corrosion-Resistant
Easy Installation

STANDARDS

To view all standards, please visit product approvals in our learning hub at artos.us.com



All technical specifications, product details, and pricing are subject to change without prior notice. Artos makes every effort to ensure accuracy; however, errors or omissions may occur. It is the responsibility of the installer, designer, or purchaser to verify all critical dimensions, installation requirements, and compliance with applicable codes prior to use.

Artos assumes no liability for damages, losses, or injuries resulting from the use of this documentation or from product installation, operation, or maintenance performed outside of Artos instructions and applicable codes. Product warranties are limited to those expressly stated by Artos. Please refer to official warranty documentation for complete terms and conditions.

All drawings, manuals, and specifications are the property of Artos and may not be reproduced, distributed, or altered without prior written permission.

TA345

Trova Classic Towel Ring

artos®

INDEX

INDEX

Product Dimensions.....pg:4

Trova Classic Towel Ring TA345.....pg:6

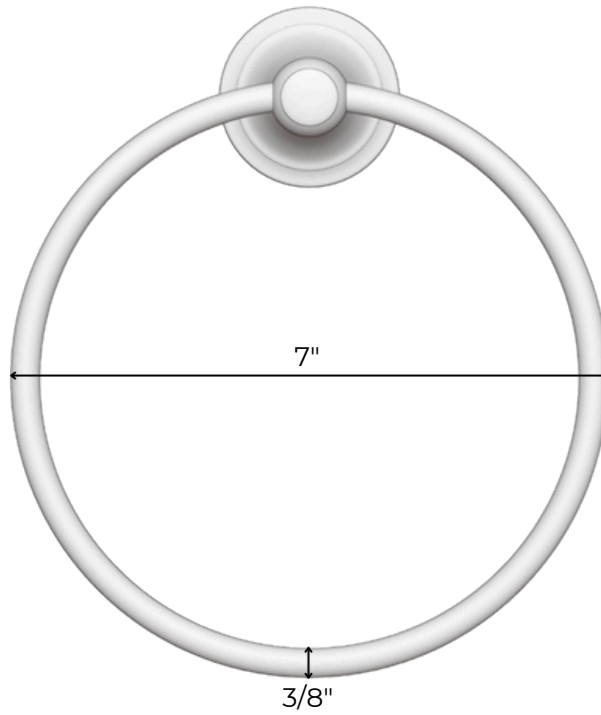
Parts Breakdown TA345.....pg:7

TA345

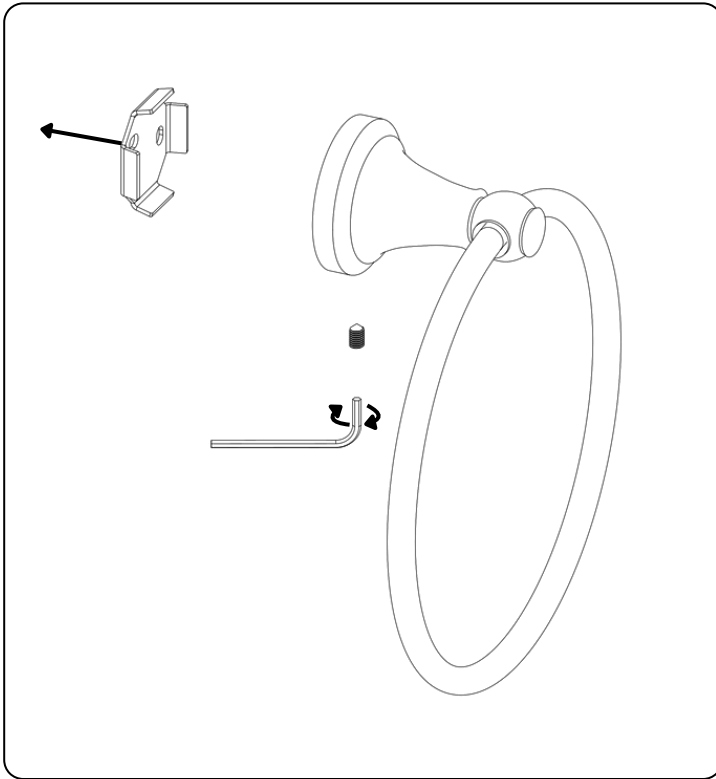
Trova Classic Towel Ring

artos®

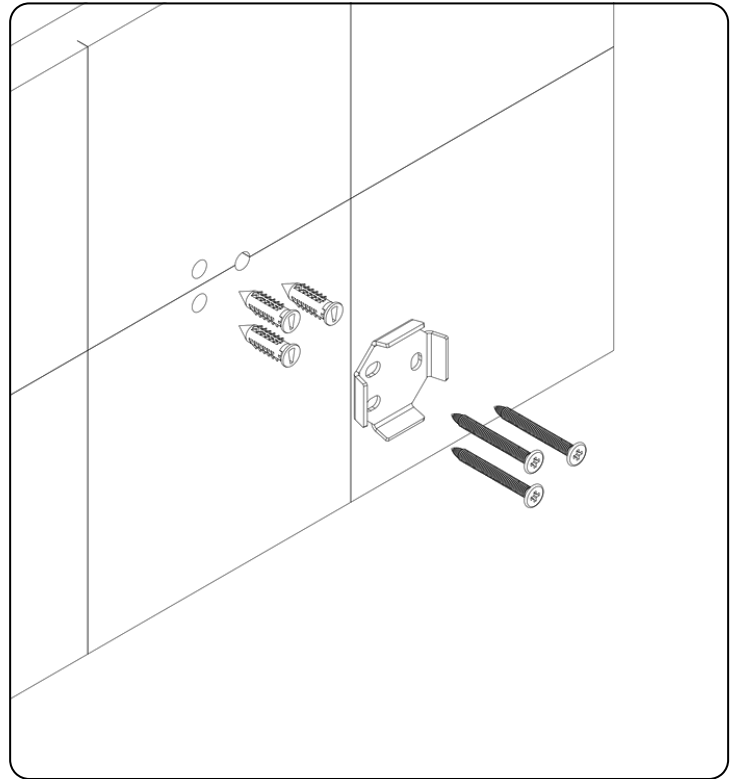
PRODUCT DIMENSIONS



STEP 1



STEP 2



Safety Warnings

- Use caution when handling sharp tools and metal parts.

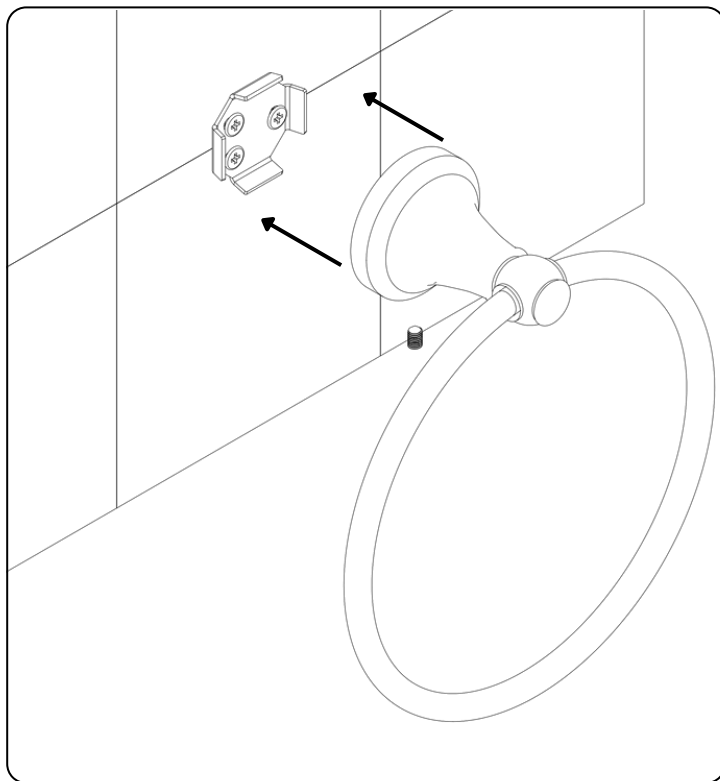
STEP 1

Using a 2.5 mm Allen wrench, turn the set screw located on the underside of the towel ring counterclockwise. Once loosened, remove the mounting plate from the towel ring.

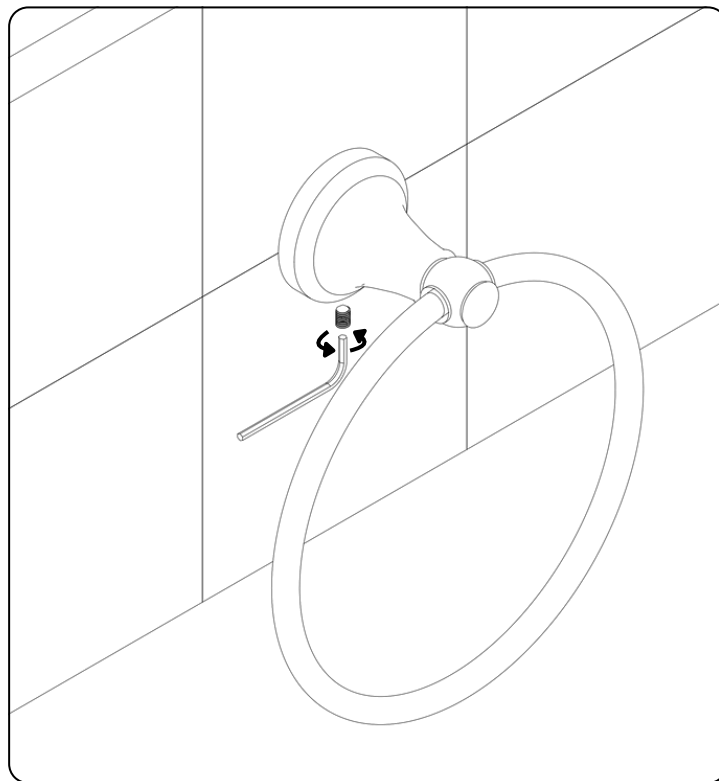
STEP 2

Next, position the mounting plate against the wall and use a small level to ensure it is properly aligned. While holding it level, mark the locations of the mounting holes on the wall. Drill holes at the marked points, then insert the wall anchors until they are flush with the wall surface. Finally, secure the mounting plate by driving the screws through the plate and into the wall anchors.

STEP 3



STEP 4

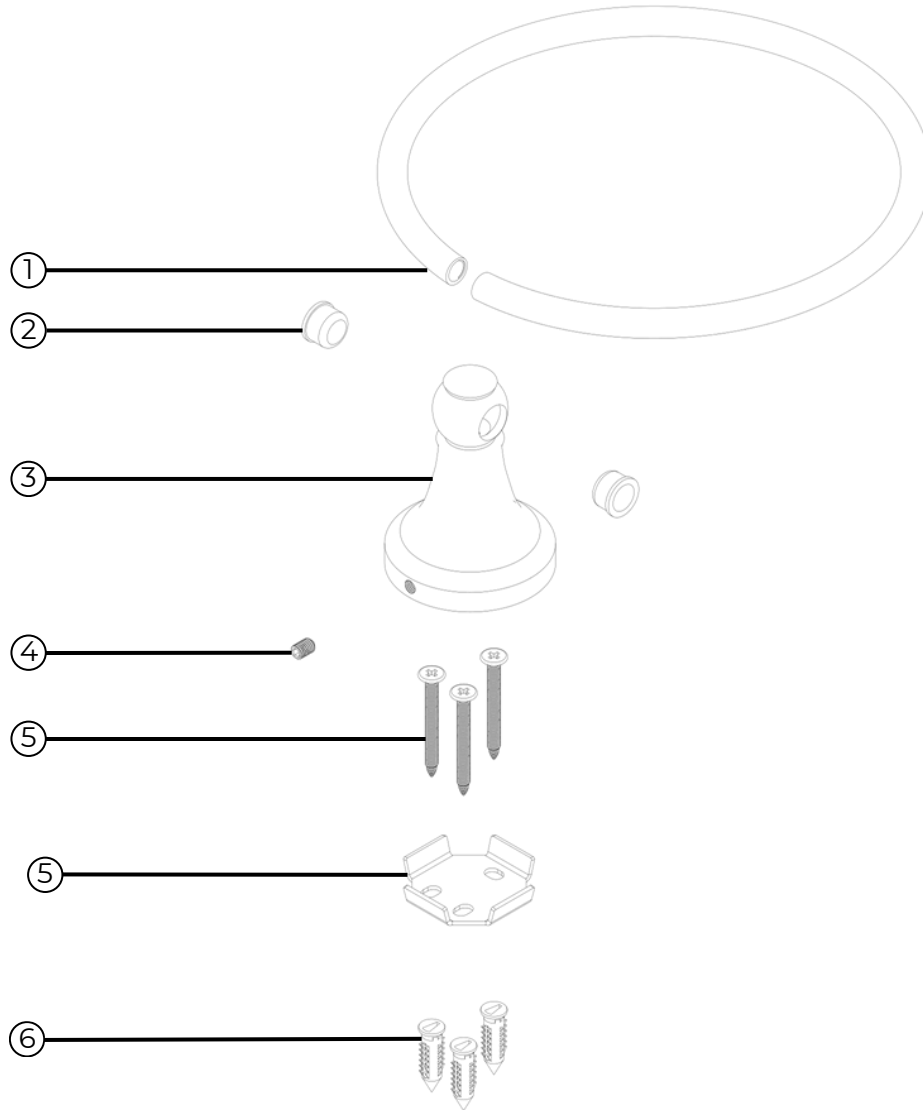


STEP 3:

With the mounting plate securely installed, attach the towel ring by engaging the internal top hook onto the bracket first. Once the top hook is seated, rotate the towel ring downward until it rests fully against the bracket.

STEP 4:

Tighten the set screw on the underside of the towel ring to lock it firmly onto the bracket and complete the installation.



- ① TOWEL RING
- ② TOWEL RING BASE
- ③ SLIDE WASHER CAP (2)
- ④ SET SCREW

- ④ DRYWALL SCREW (3)
- ⑤ REMOVABLE MOUNTING PLATE
- ⑥ DRYWALL ANCHOR (3)