

PS108TR

Harmony Thermostatic Shower Trim Kit with Wall Mount Shower Head, Ceiling Mount Shower Head, Hand Held Shower

artos®

INSTALLATION GUIDE



PS108TR

Harmony Thermostatic Shower Trim Kit with Wall Mount Shower Head, Ceiling Mount Shower Head, Hand Held Shower

artos®

OPERATING SPECIFICATIONS



INCLUDED

Wall-Mounted Angled Arm & Showerhead
Ceiling-Mounted Arm & Showerhead
Valve Trim
HandShower

OPERATING TEMPERATURE

Maximum: 176°
Minimum: 50°

OPERATING PRESSURE

Minimum: 20psi
Maximum: 125psi
Recommended: 30psi-95psi

Operating pressures (on hot and cold lines) should be kept as balanced as possible, in order to assure the maximum efficiency.

FLOW RATE

Shower Head(Wall Mounted): 1.8 USGPM
Shower Head(Ceiling Mounted): 1.8 USGPM
Shower Wand: 1.8 USGPM

MATERIAL

Solid Brass

REQUIRMENTS

Control Valve

STANDARDS

To view all standards, please visit product approvals in our learning hub at artos.us.com

2

WESTOVER, INC

4011 S 60TH ST, OMAHA, NE 68117

[WWW.ARTOS.US.COM](https://www.artos.us.com)

T: 402-397-3344

All technical specifications, product details, and pricing are subject to change without prior notice. Artos makes every effort to ensure accuracy; however, errors or omissions may occur. It is the responsibility of the installer, designer, or purchaser to verify all critical dimensions, installation requirements, and compliance with applicable codes prior to use.

Artos assumes no liability for damages, losses, or injuries resulting from the use of this documentation or from product installation, operation, or maintenance performed outside of Artos instructions and applicable codes. Product warranties are limited to those expressly stated by Artos. Please refer to official warranty documentation for complete terms and conditions.

All drawings, manuals, and specifications are the property of Artos and may not be reproduced, distributed, or altered without prior written permission.

PS108TR

Harmony Thermostatic Shower Trim Kit with Wall Mount Shower Head, Ceiling Mount Shower Head, Hand Held Shower

INDEX

Product Dimensions - F903B-64TK.....pg:4

Valve Identification.....pg:5

Harmony Thermostat & Off Position Trim Kit Installation - F903B-64TK.....pg:6-16

Parts Breakdown - F903B-64TK.....pg:17

Product Dimensions - F902-11TR.....pg:18

Harmony Wall Mounted Angled Shower Arm Installation - F902-11TR.....pg:19-22

Parts Breakdown - F901-18.....pg:23

Round 6" Rain Shower Head Installation - F901-18.....pg:24

Parts Breakdown - F901-18 - F902-11TR.....pg:25

Product Dimensions - F902-3TR.....pg:26

Harmony Ceiling Mounted Shower Arm Installation - F902-3TR.....pg:27-30

Parts Breakdown - F901-8.....pg:31

Round 10" Rain Shower Head Installation - F901-8.....pg:32

Parts Breakdown - F901-8 - F902-3TR.....pg:33

Product Dimensions - F907-5TR.....pg:34

Harmony Flexible Hose Handshower Installation - F907-5TR.....pg:35-39

Parts Breakdown - F907-5TR.....pg:40

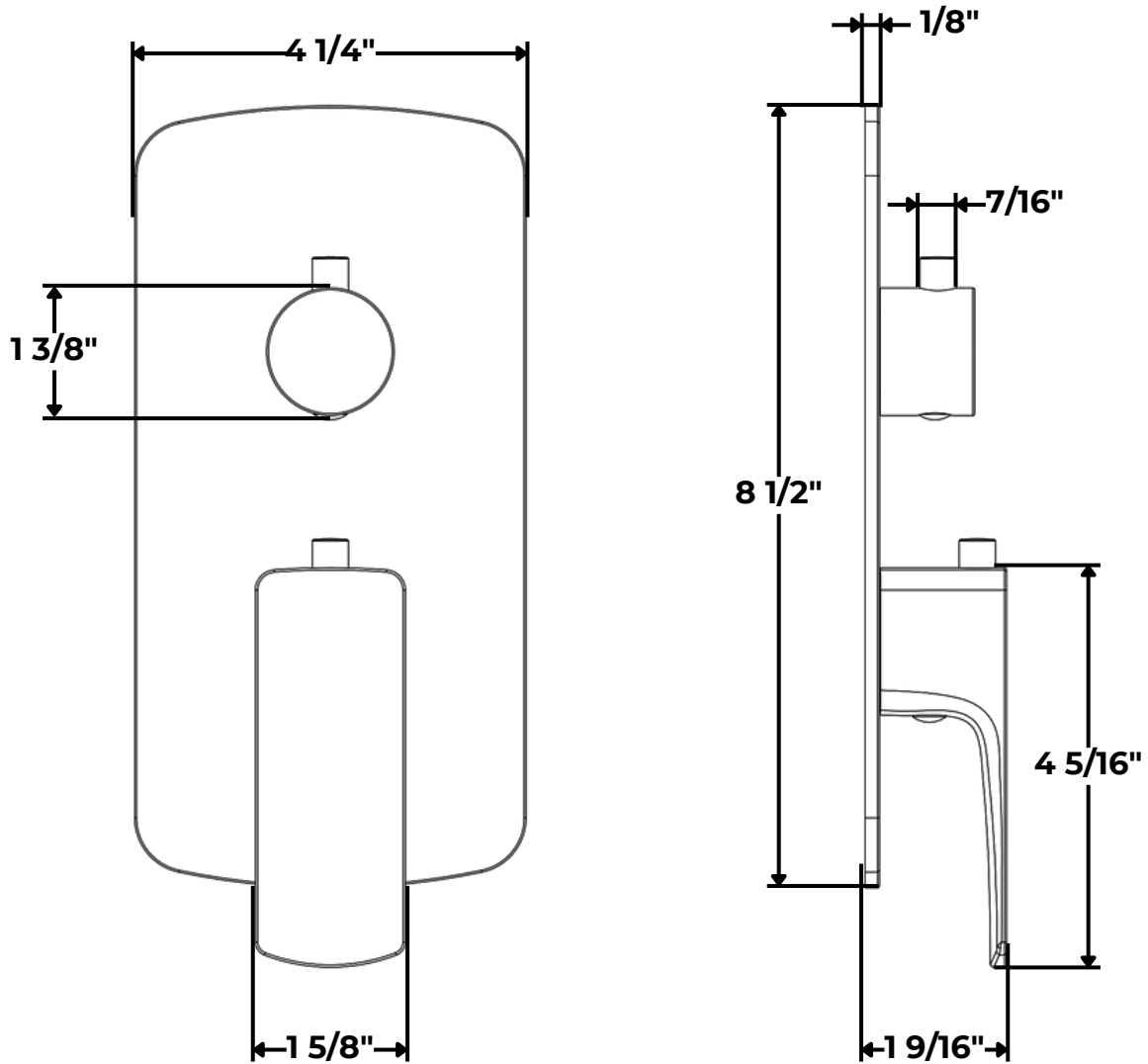
Parts Breakdown - PS108TR.....pg:41

PS108TR

Harmony Thermostatic Shower Trim Kit with Wall Mount Shower Head, Ceiling Mount Shower Head, Hand Held Shower

PRODUCT SKU: F903B-64TK

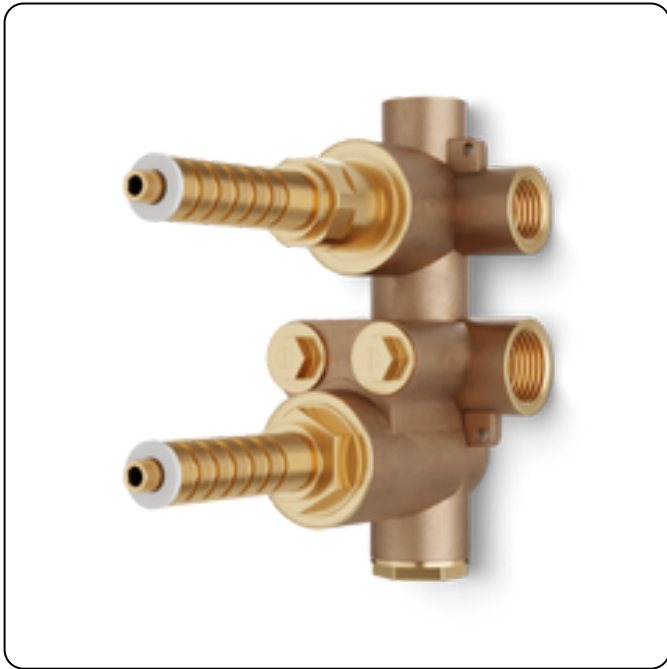
PRODUCT DIMENSIONS



PS108TR

Harmony Thermostatic Shower Trim Kit with Wall Mount Shower Head, Ceiling Mount Shower Head, Hand Held Shower

VALVE IDENTIFICATION



F973AVO: 3/4" Thermostat Valve with 3-Way Shared Diverter & Off Position



F973ANSVO: 3/4" Thermostat Valve with 3-Way Non-Shared Diverter & Off Position

The difference between the two valves lies in the operation of the shared diverter. The **F973AVO** cartridge allows water to flow to multiple outlets simultaneously. In contrast, the **F973ANSVO** cartridge restricts flow to a single outlet at a time, improving water efficiency and supporting compliance with California requirements.

PS108TR

Harmony Thermostatic Shower Trim Kit with Wall Mount Shower Head, Ceiling Mount Shower Head, Hand Held Shower

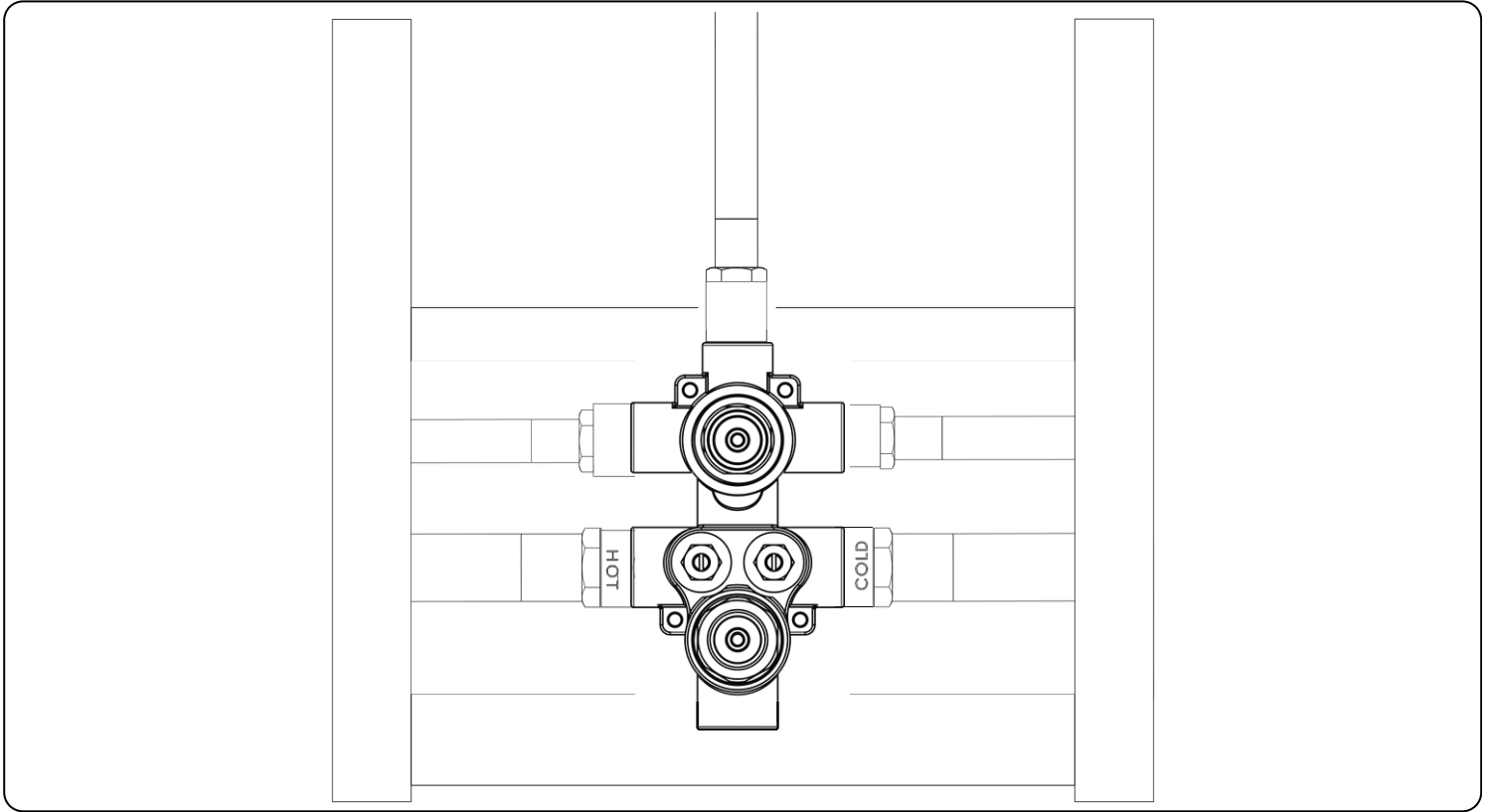
artos®

INSTALLATION GUIDE

FOR F973AVO OR F973ANSVO



STEP 1



Safety Warnings

- Shut off the main or local water supply before beginning installation.
- Use caution when handling sharp tools and metal parts.
- Do not overtighten connections, as this may damage components or create leaks.
- Ensure the psi of the local water supply remains in the recommended psi range on the operating specifications page
- Wear protective gloves throughout installation to prevent injury and protect the finish of the components.

Before beginning, verify that all parts and tools required for installation are available. Review the installation diagram in the parts breakdown at the end of each manual section.

PS108TR

Harmony Thermostatic Shower Trim Kit with Wall Mount Shower Head, Ceiling Mount Shower Head, Hand Held Shower

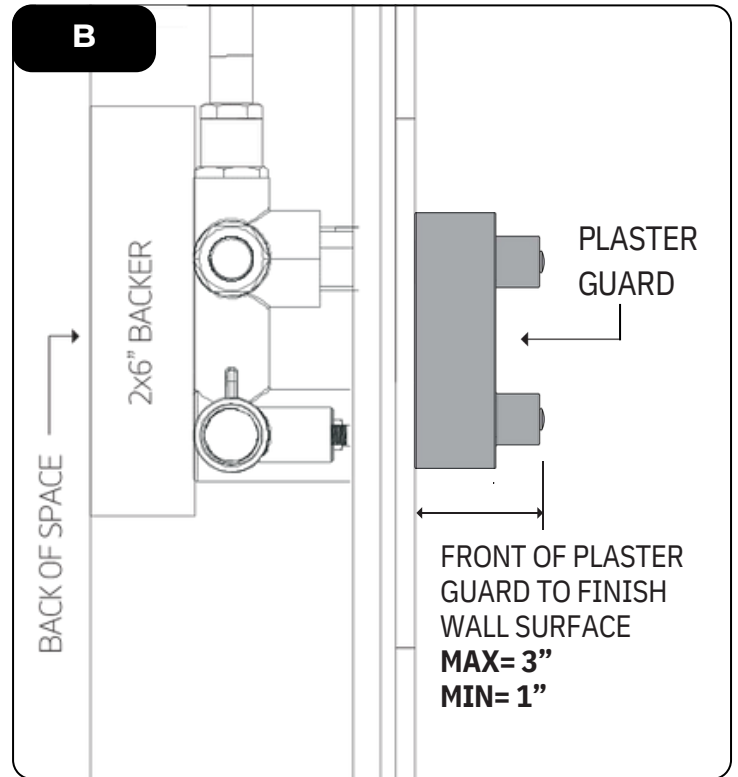
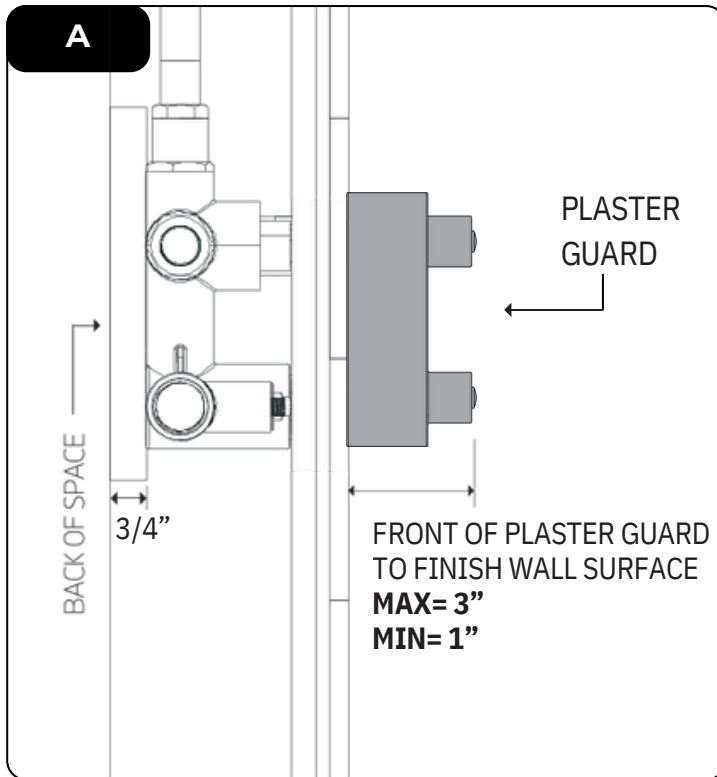
artos®

INSTALLATION GUIDE

FOR F973AVO OR F973ANSVO



STEP 2



Begin installation of the F973AVO or F973ANSVO by installing a solid backer board between the wall studs to support the valve. For **2" x 4"** wall construction, use a **3/4"** plywood backer. For **2" x 6"** wall construction, use a **2" x 6"** backer.

Position the valve against the backer, ensuring it is **level** and properly aligned. Secure the valve using drywall or deck screws through the mounting holes provided in the valve body. Refer to Diagram **A** for **2" x 4"** wall installations and Diagram **B** for **2" x 6"** wall installations.

The front of the plaster guard must be positioned between **1" minimum** and **3" maximum** from the finished wall surface for both wall types.

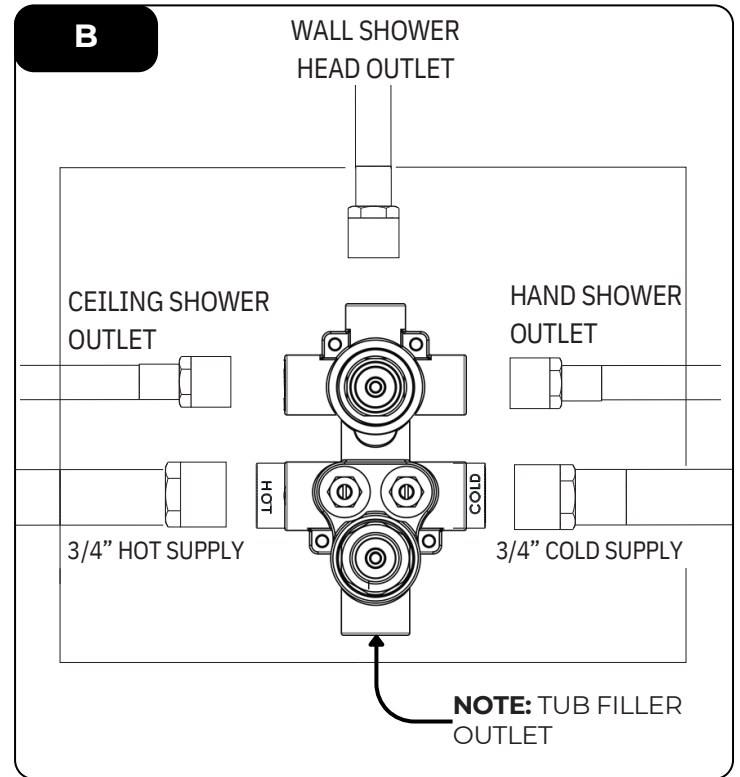
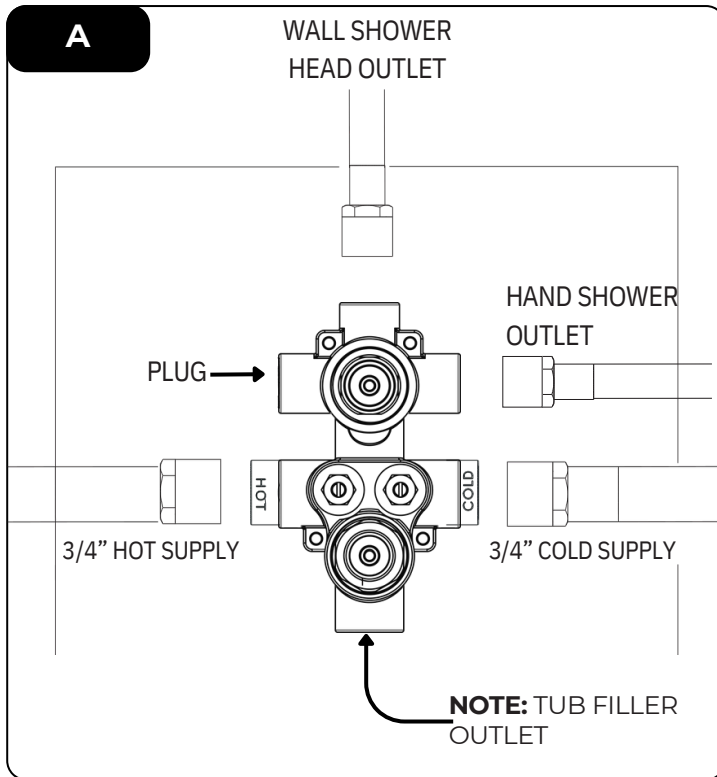
PS108TR

Harmony Thermostatic Shower Trim Kit with Wall Mount Shower Head, Ceiling Mount Shower Head, Hand Held Shower

INSTALLATION GUIDE

STEP 3

FOR F973AVO OR F973ANSVO



OPTION A

If using two 1/2" outlets, connect the valve as shown in Diagram A. Cap the unused upper side outlet. Connect the active upper outlet(s) to the shower functions as required. Connect the 3/4" hot water supply to the left inlet and the 3/4" cold water supply to the right inlet.

If installing a tub filler, remove the cap from the bottom 3/4" outlet and connect the tub filler to this outlet.

OPTION B (PS108TR)

If using all three upper outlets, connect the valve as shown in Diagram B. No upper outlet caps are required. Connect all upper outlets to the shower functions as specified.

If installing a tub filler, use the bottom 3/4" outlet for the tub filler connection.

IMPORTANT: IF USING HEAT NEAR THE VALVE BODY PLEASE REMOVE CARTRIDGES.

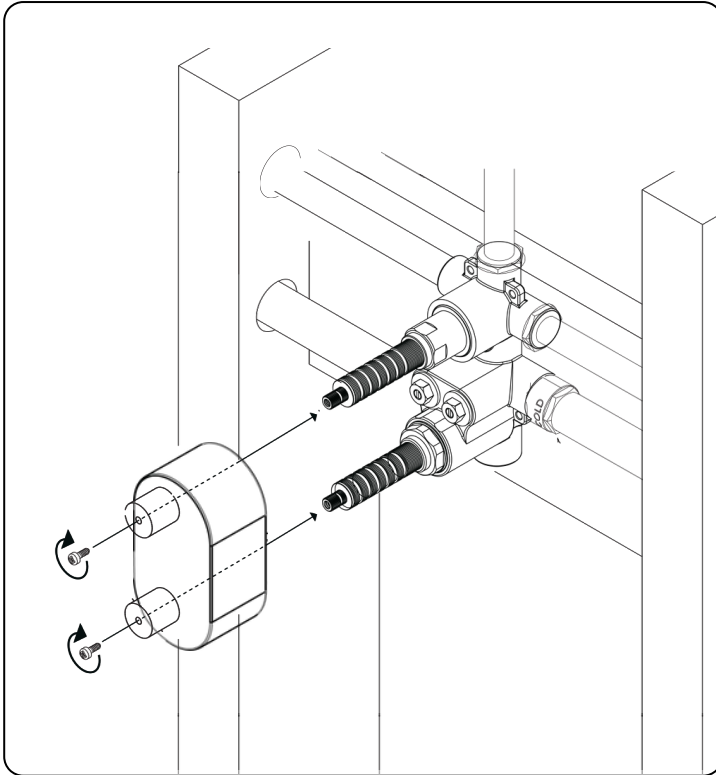
PS108TR

Harmony Thermostatic Shower Trim Kit with Wall Mount Shower Head, Ceiling Mount Shower Head, Hand Held Shower

artos®

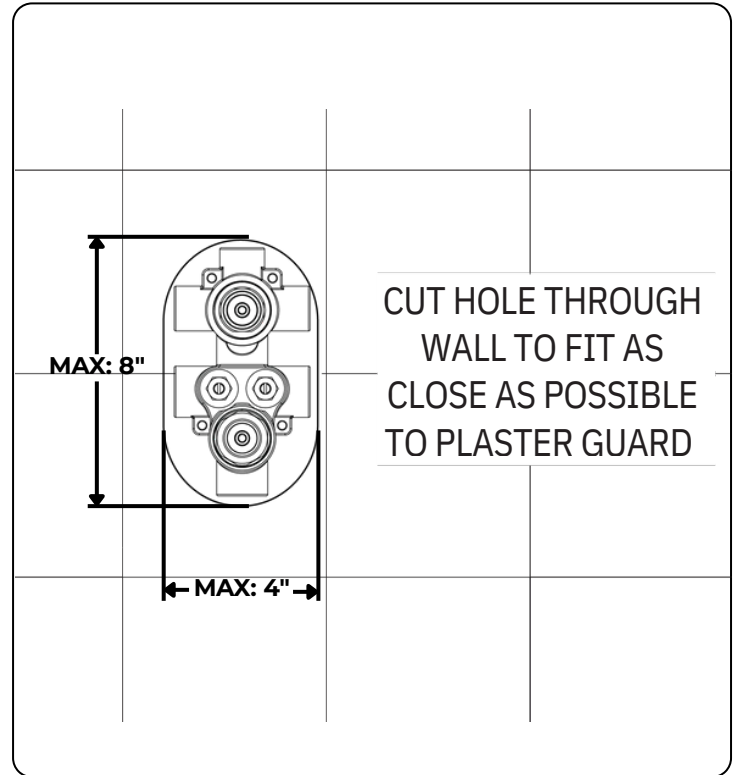
INSTALLATION GUIDE

STEP 4



STEP 5

FOR F973AVO OR F973ANSVO



STEP 4

Using the provided screws, secure the plaster cover to the valve spindles, ensuring it is properly aligned and fully seated.

STEP 5

Complete the finished wall, using the plaster guard to protect the valve threads during installation. Cut an access opening in the finished wall large enough to expose the valve for future adjustment of the service stops.

IMPORTANT: DO NOT LET THE HOLE EXCEED THE ESCUTCHEON DIMENSIONS. HOLD ESCUTCHEON TO WALL TO CHECK DIMENSIONS

Dimensions may vary due to model version or escutcheon style

Check the individual valve installation manual for the most up-to-date procedures. For compatibility questions, contact Artos customer service at the information provided below.

9

PS108TR

Harmony Thermostatic Shower Trim Kit with Wall Mount Shower Head, Ceiling Mount Shower Head, Hand Held Shower

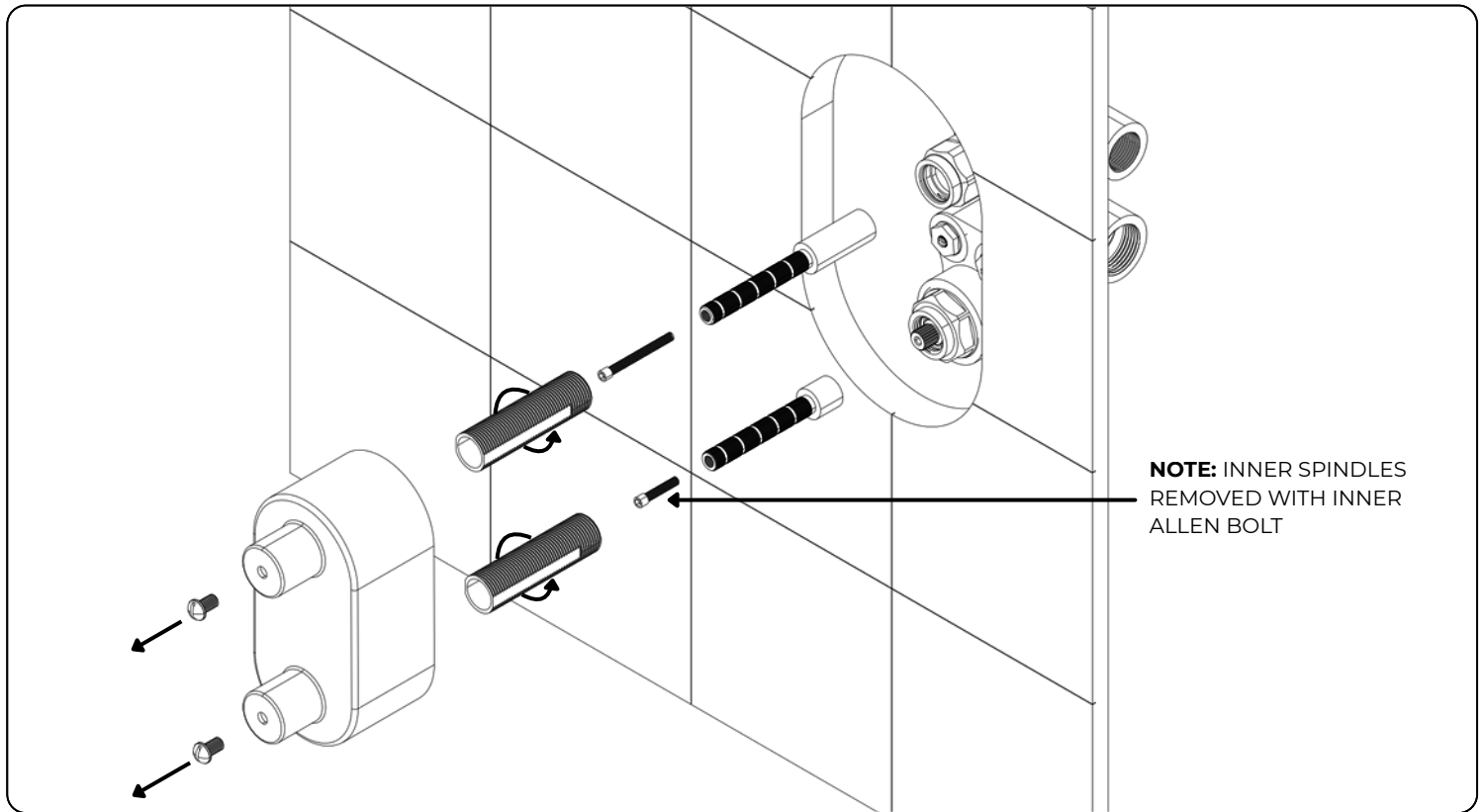
artos®

INSTALLATION GUIDE

FOR F973AVO OR F973ANSVO



STEP 6



Begin installation of the trim kit once plaster and dust protection is no longer needed.

First, remove flathead bolts from the plaster guard using a flathead screwdriver. Next, remove the outer spindles to provide better access to the inner components. Using the included Allen wrench, carefully loosen and remove the retaining bolts from the inner spindles. Once the bolts are removed, inner spindles can be pulled from the respective valves and set aside.

Note: The longer screw and its corresponding spindle belong to the diverter valve (upper position), so be sure to keep these parts identified accordingly for reassembly.

PS108TR

Harmony Thermostatic Shower Trim Kit with Wall Mount Shower Head, Ceiling Mount Shower Head, Hand Held Shower

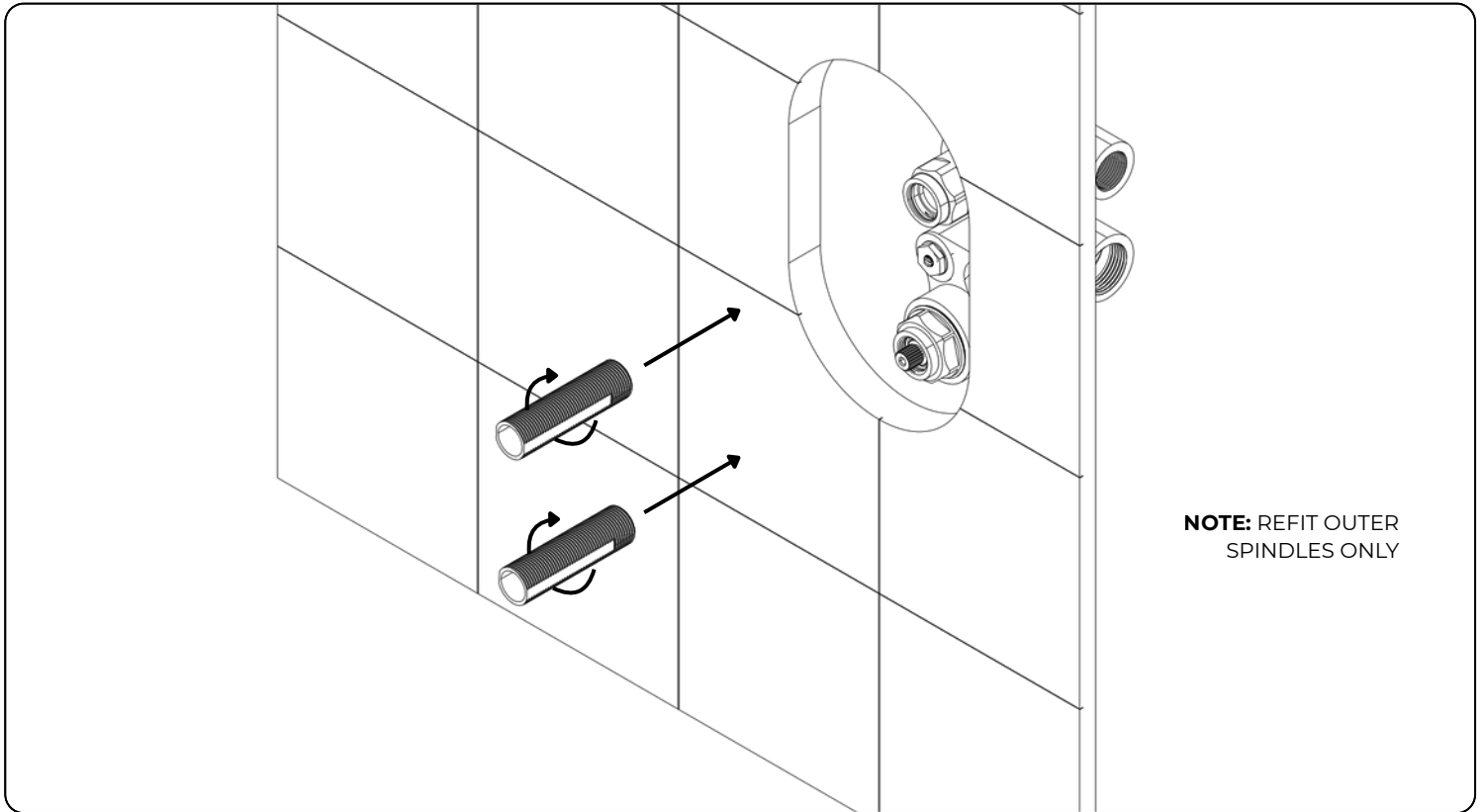
artos®

INSTALLATION GUIDE

FOR F973AVO OR F973ANSVO



STEP 7



Once the internal components have been identified and removed, reinsert only the outer spindles into both the diverter and thermostatic valve bodies.

Note: Ensure that each spindle is fully seated and secured with a snug fit, as a proper connection at this stage is essential for accurate alignment and secure attachment of trim components in the following steps.

PS108TR

Harmony Thermostatic Shower Trim Kit with Wall Mount Shower Head, Ceiling Mount Shower Head, Hand Held Shower

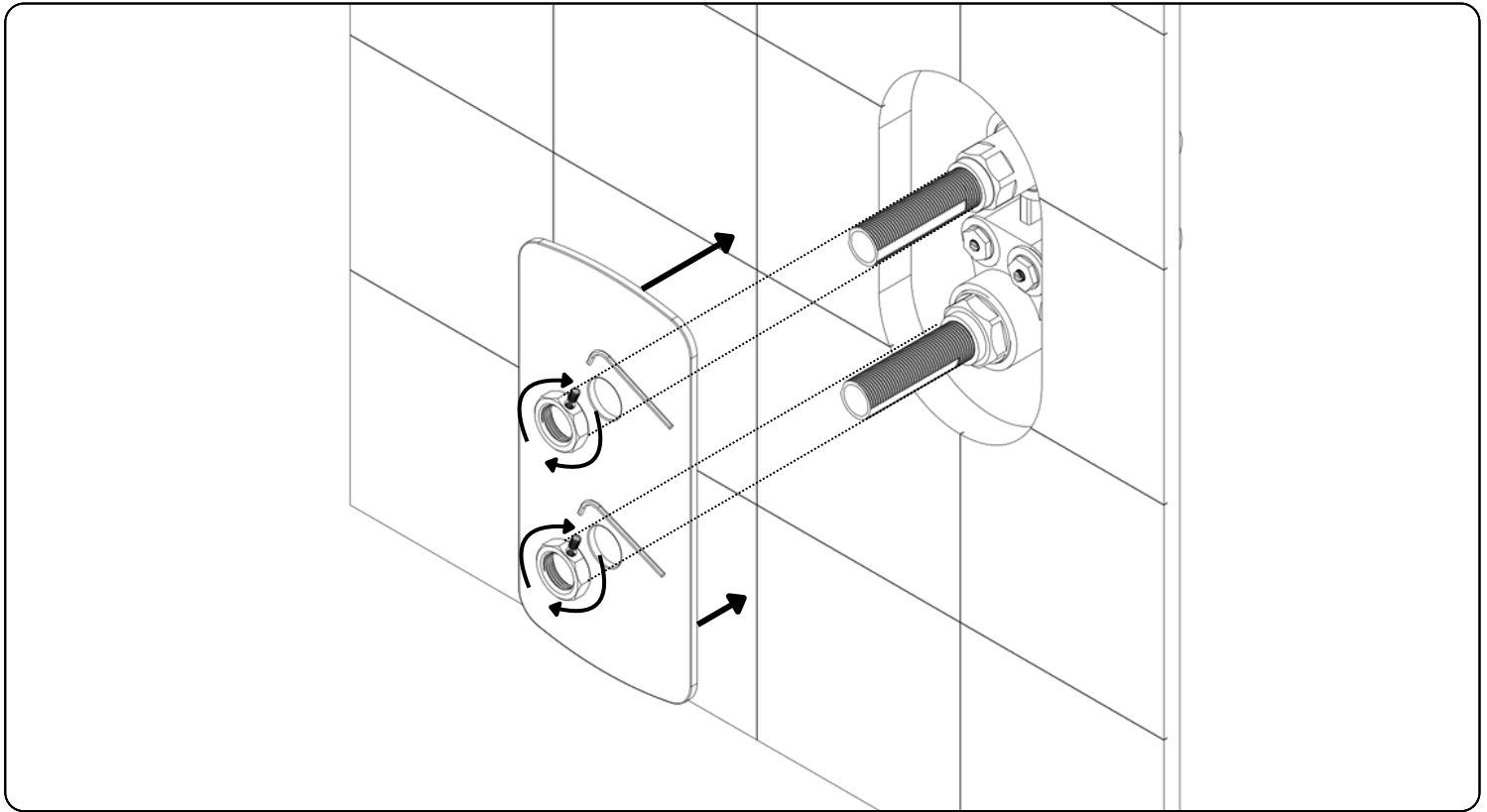
artos®

INSTALLATION GUIDE

FOR F973AVO OR F973ANSVO



STEP 8



Secure the escutcheon trim over the installed spindles by tightening the locking nut set screw using the included Allen wrench.

Ensure the escutcheon is **firmly** pressed against the finished wall surface to create a flush, secure fit. A tight seal at this stage is critical—if the trim is not properly aligned and tightened against the wall, the final trim components may not sit correctly or align properly during the final assembly.

PS108TR

Harmony Thermostatic Shower Trim Kit with Wall Mount Shower Head, Ceiling Mount Shower Head, Hand Held Shower

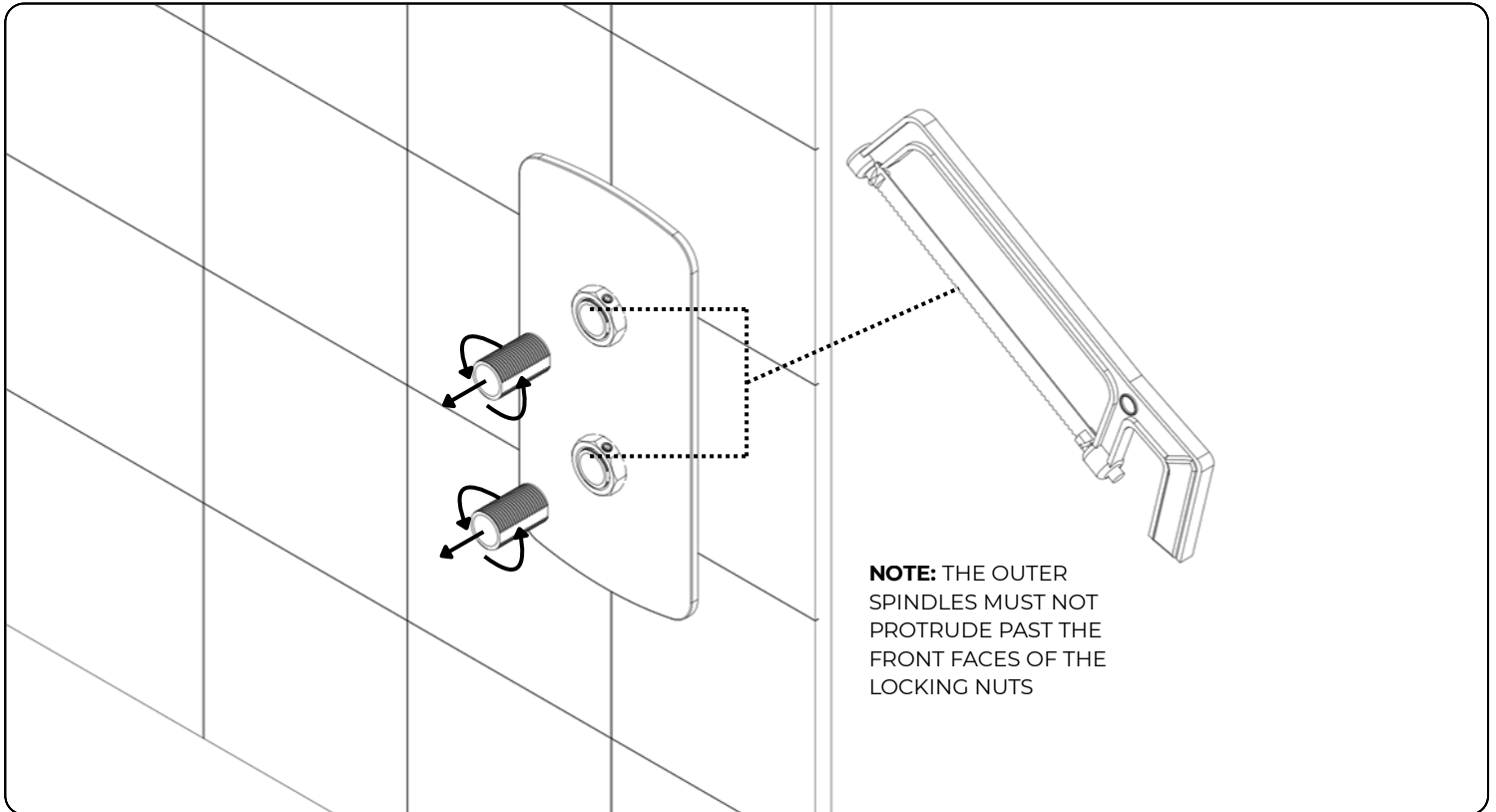
artos®

INSTALLATION GUIDE

FOR F973AVO OR F973ANSVO



STEP 9



Using a marker or scribe, carefully mark the outer spindles at the point where they align flush with the face of the locking nuts. Once marked, **remove the outer spindles from the assembly and use a handsaw** to cut them down at the marks. Cutting the spindles off the assembly prevents accidental damage to the locking nut or surrounding trim components. Take your time to ensure clean, square cuts so that the final trim pieces sit flush and properly align with the finished surface.

NOTE: Do not damage the escutcheon with saw; remove spindles to cut the scribe line.

PS108TR

Harmony Thermostatic Shower Trim Kit with Wall Mount Shower Head, Ceiling Mount Shower Head, Hand Held Shower

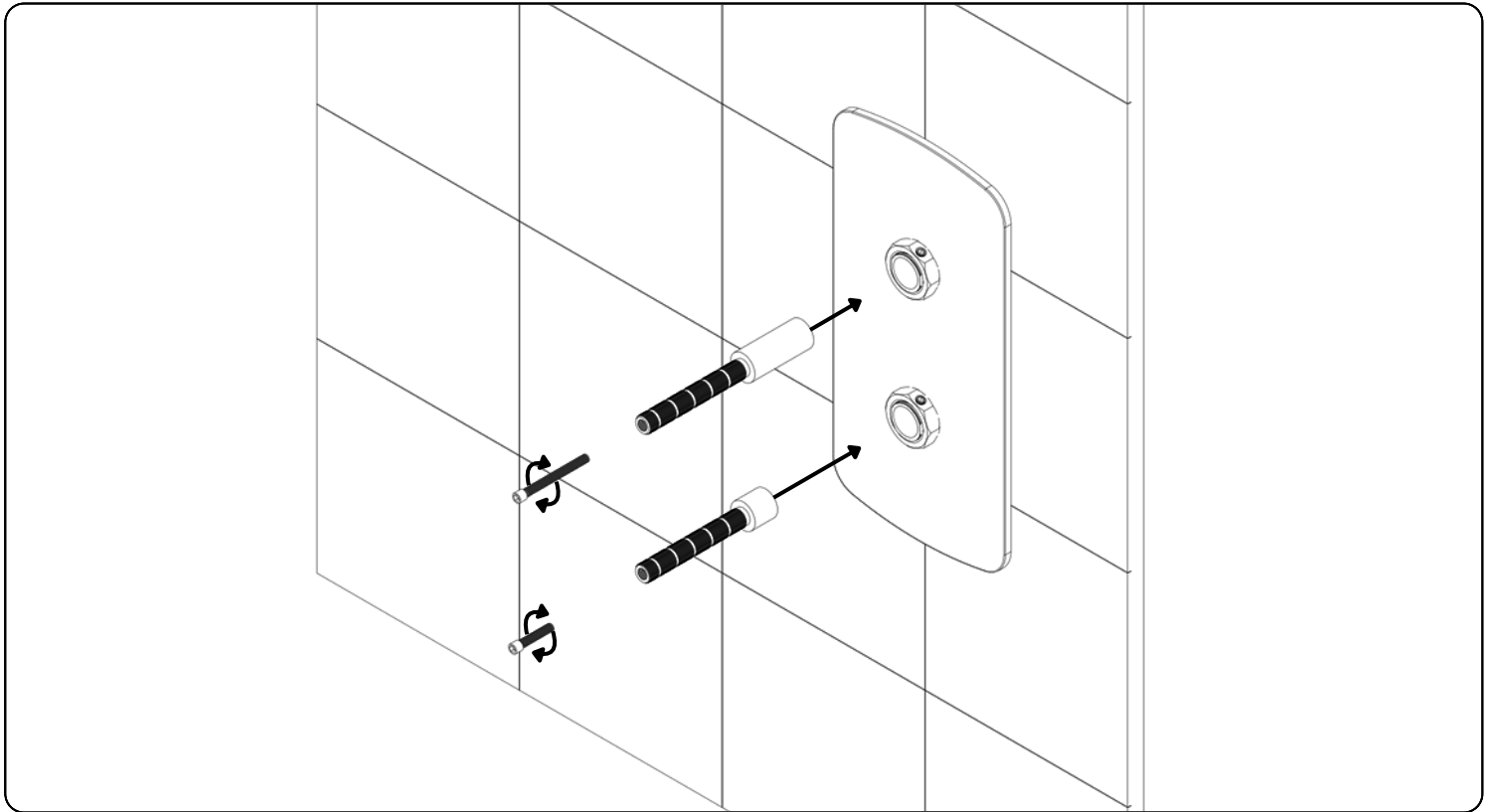
artos®

INSTALLATION GUIDE

FOR F973AVO OR F973ANSVO



STEP 10



Fully insert both the upper and lower inner spindles into their respective diverter valves, ensuring each inner spindle is properly aligned and seated. Once in place, secure each using its corresponding Allen bolt, tightening the bolts clockwise with the included Allen wrench until firmly fastened.

Ensure all components are properly aligned and that the spindles move freely in preparation for the final handle installation.

NOTE: The long spindle, along with the long M4 x 40 mm securing bolt, is specifically intended for the upper diverter valve and must be used accordingly to ensure proper fit and function.

PS108TR

Harmony Thermostatic Shower Trim Kit with Wall Mount Shower Head, Ceiling Mount Shower Head, Hand Held Shower

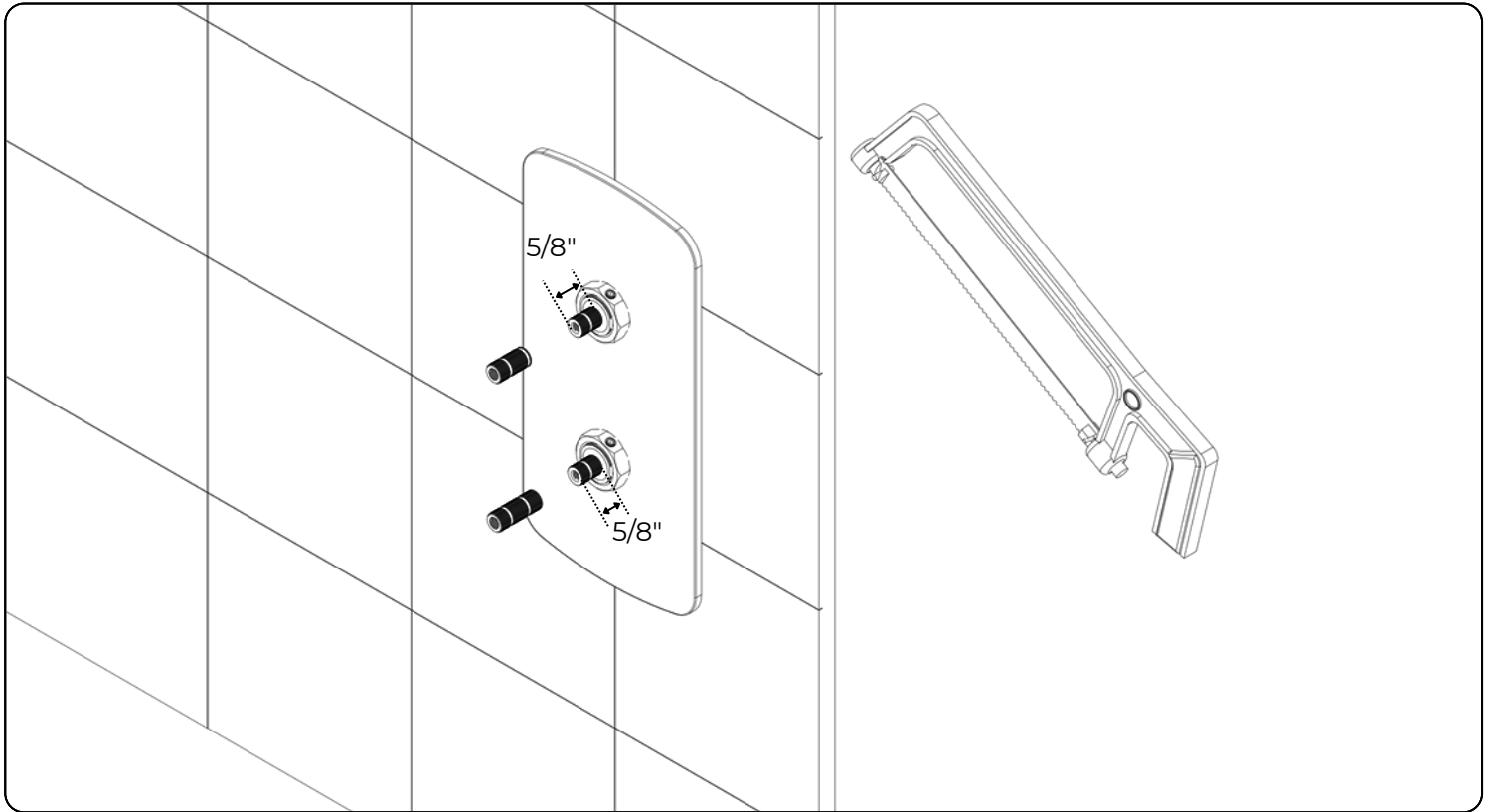
artos®

INSTALLATION GUIDE

FOR F973AVO OR F973ANSVO



STEP 11



Using a handsaw, carefully trim the inner spindle of the diverter valve (upper) and the inner spindle of the thermostatic valve (lower) to **5/8** inch, measured from the face of the locking nut. Do your best to cut along reliefs in the inner spindle notching.

Ensure that the cuts are clean and precise to allow proper fitment of the final trim pieces. Take care not to damage the escutcheon trim, locking nut, or surrounding surfaces during the cutting process.

NOTE: Do not cut the spindles too short, as this may prevent the handles from engaging properly or fully seating during final assembly. Double-check measurements before making each cut.

PS108TR

Harmony Thermostatic Shower Trim Kit with Wall Mount Shower Head, Ceiling Mount Shower Head, Hand Held Shower

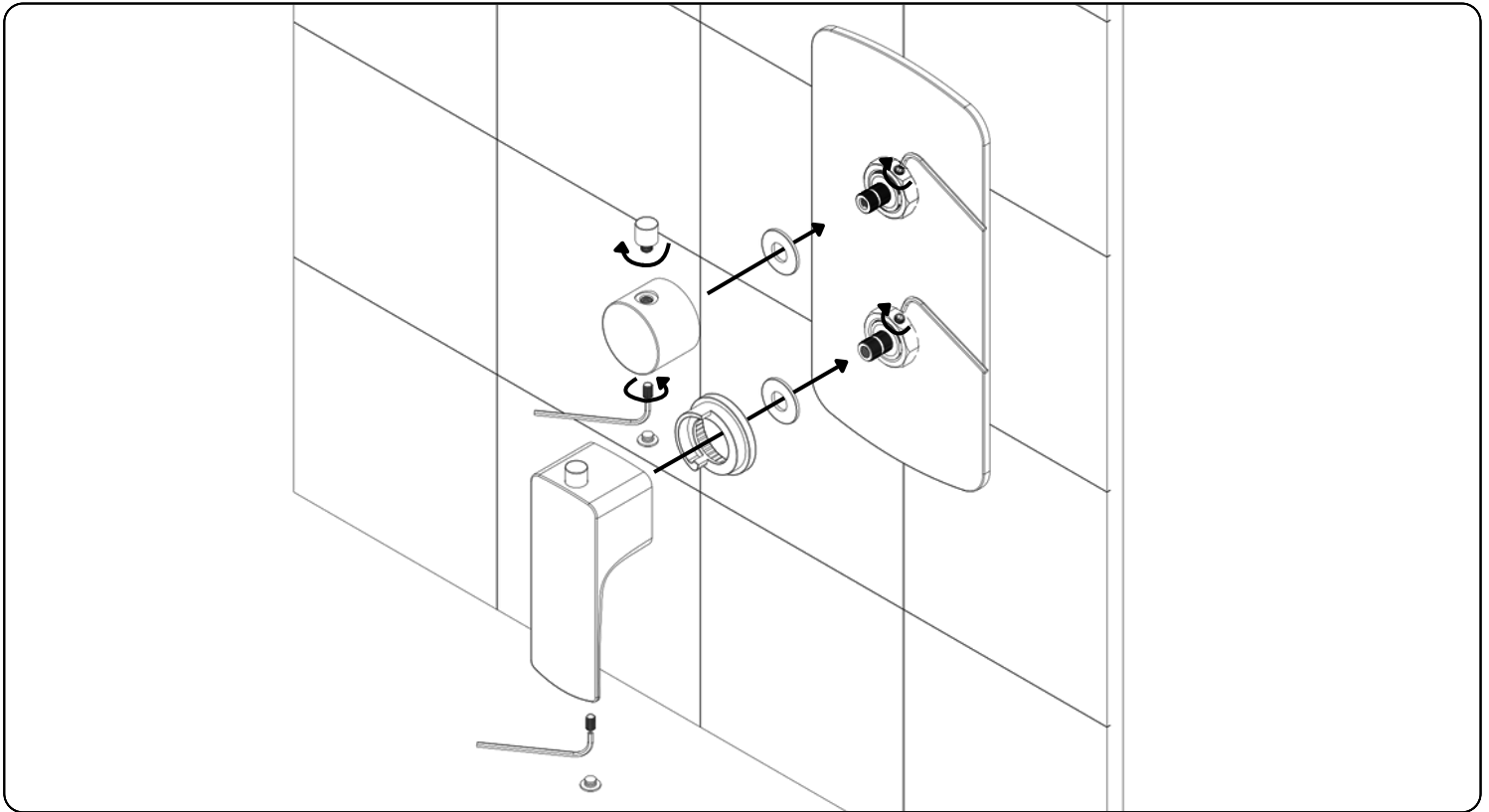
artos®

INSTALLATION GUIDE

FOR F973AVO OR F973ANSVO



STEP 12



Verify that the locking nut and set screw are tightened so the escutcheon trim is securely seated against the finished wall. Rotate the inner spindles to the desired position, then slide the included nylon washer over each spindle so it sits between the handle and the escutcheon.

For the diverter (upper) valve, place the handle onto the spindle and thread the diverter lever into the top of the handle until hand-tight and vertically aligned. Tighten the set screw with the included Allen wrench, then install the decorative hole cap.

For the thermostatic (lower) valve, install the temperature-limiting ring onto the spindle, ensuring it is flat and centered. Position the thermostatic handle, tighten the set screw with the Allen wrench, and confirm both handles are secure, flush with the trim, and operate smoothly.

NOTE: You may apply a thin, continuous bead of clear silicone sealant around the perimeter of the escutcheon where it meets the finished wall. Allow the sealant to cure fully according to the manufacturer's specifications before using the fixture.

16

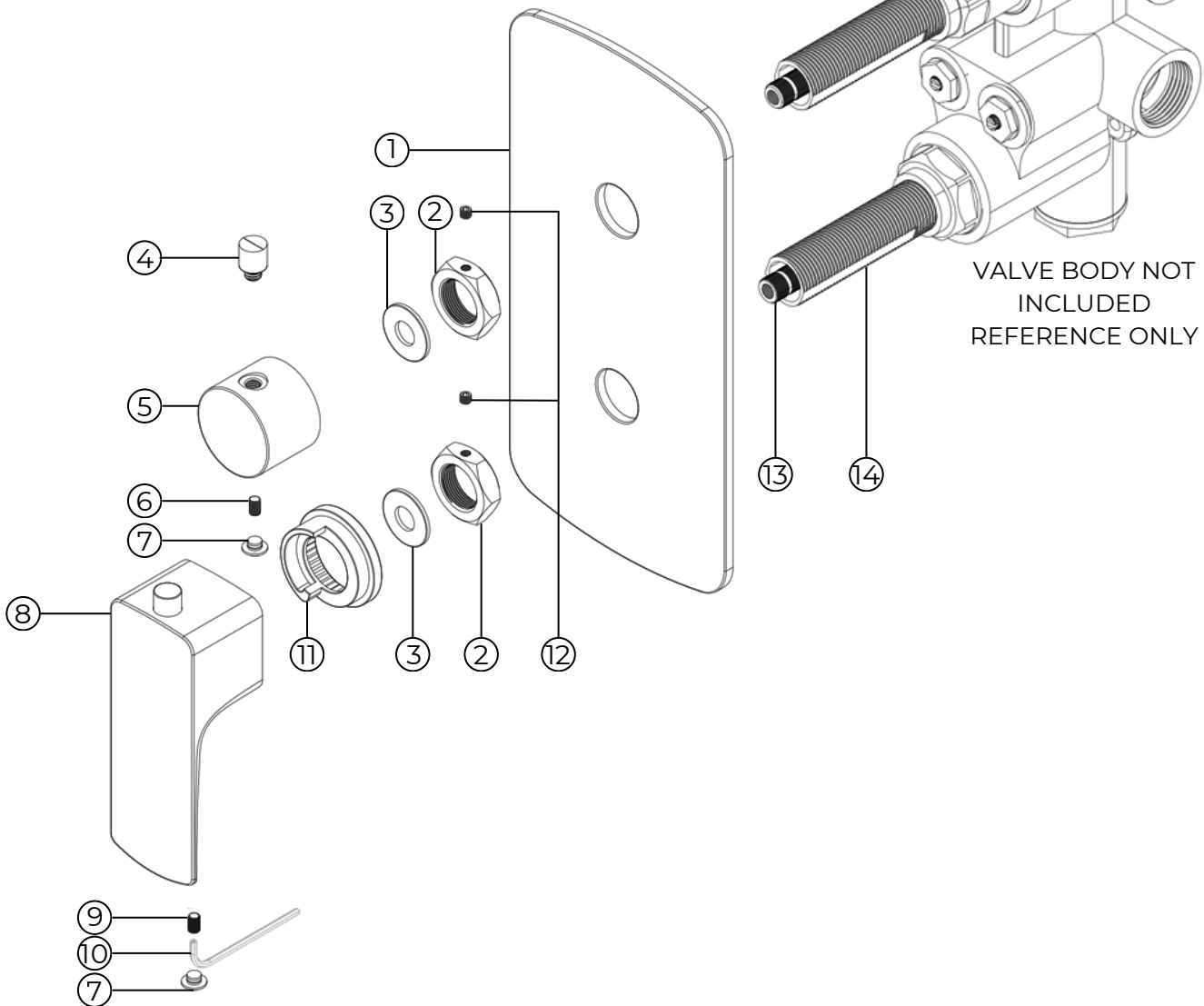
PS108TR

artos®

Harmony Thermostatic Shower Trim Kit with Wall Mount Shower Head, Ceiling Mount Shower Head, Hand Held Shower

PRODUCT SKU: F903B-64TK

PARTS BREAKDOWN



- ① ESCUTCHEON TRIM HARMONY
- ② DIVERTER LOCKING NUT (2)
- ③ NYLON WASHER (2)
- ④ DIVERTER HANDLE LEVER
- ⑤ DIVERTER HANDLE
- ⑥ DIVERTER SET SCREW
- ⑦ HANDLE SET SCREW CAP (2)

- ⑧ THERMOSTAT HANDLE
- ⑨ THERMOSTAT SET SCREW
- ⑩ ALLEN WRENCH
- ⑪ TEMPERATURE LIMITING RING
- ⑫ LOCKING NUT SET SCREW (2)
- ⑬ INNER SPINDLE
- ⑭ OUTER SPINDLE

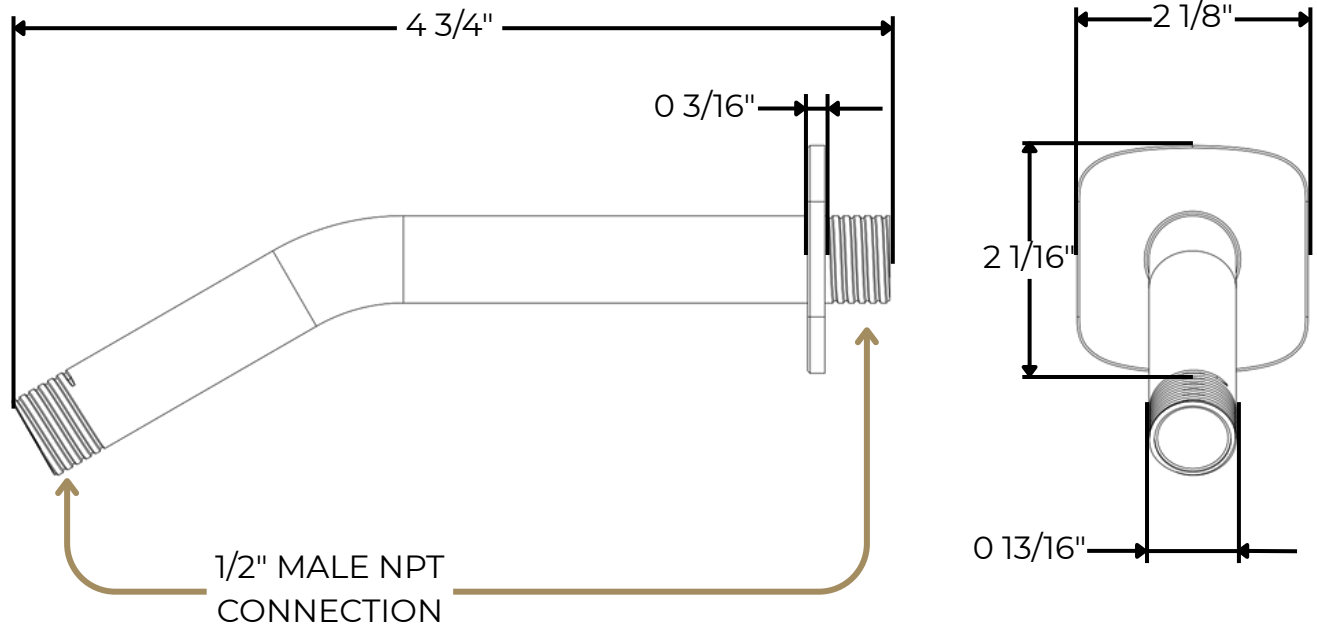
PS108TR

Harmony Thermostatic Shower Trim Kit with Wall Mount Shower Head, Ceiling Mount Shower Head, Hand Held Shower

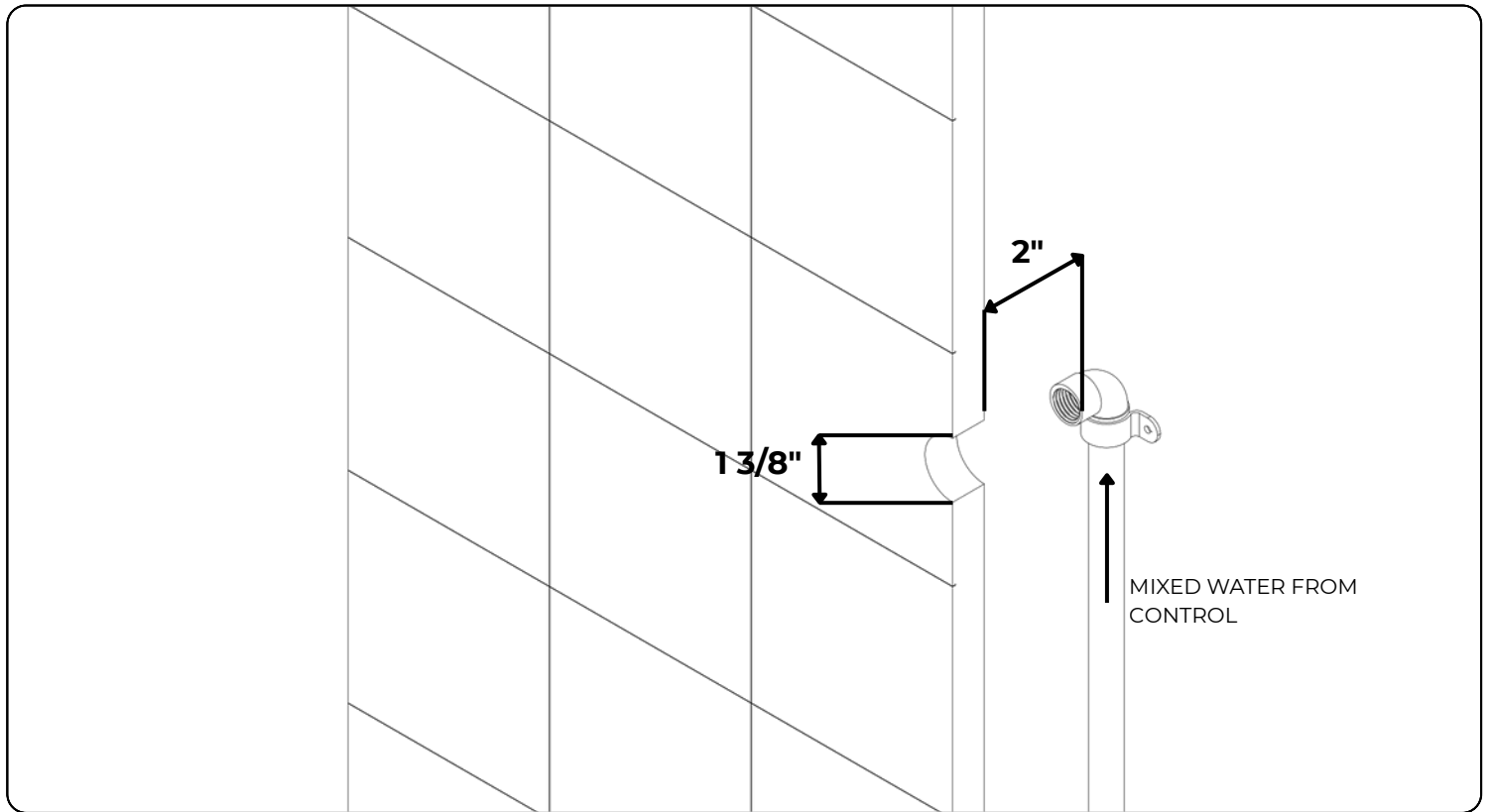
PRODUCT SKU: F902-11TR

artos®

PRODUCT DIMENSIONS



STEP 1



Safety Warnings

- Shut off the main or local water supply before beginning installation.
- Use caution when handling sharp tools and metal parts.
- Do not overtighten connections, as this may damage components or create leaks.
- Ensure the psi of the local water supply remains in the recommended psi range on the operating specifications page

Before beginning, verify that all parts and tools required for installation are available. Review the installation diagram in the parts breakdown at the end of this manual.

Behind the wall, route the mixed water supply line from the control valve to the desired height for the shower arm outlet. Install a $\frac{1}{2}$ " female threaded elbow fitting, positioning it so the open end faces outward perpendicular from wall faces. Ensure the outlet of the elbow is a maximum of 2 " from the inside surface of the finished wall to allow adequate space for threading the copper pipe or brass nipple.

Drill a horizontal opening, $1\frac{3}{8}$ " in diameter or smaller, through the wall. Ensure the hole is centered on the supply outlet to accommodate the shower arm connector fitting.

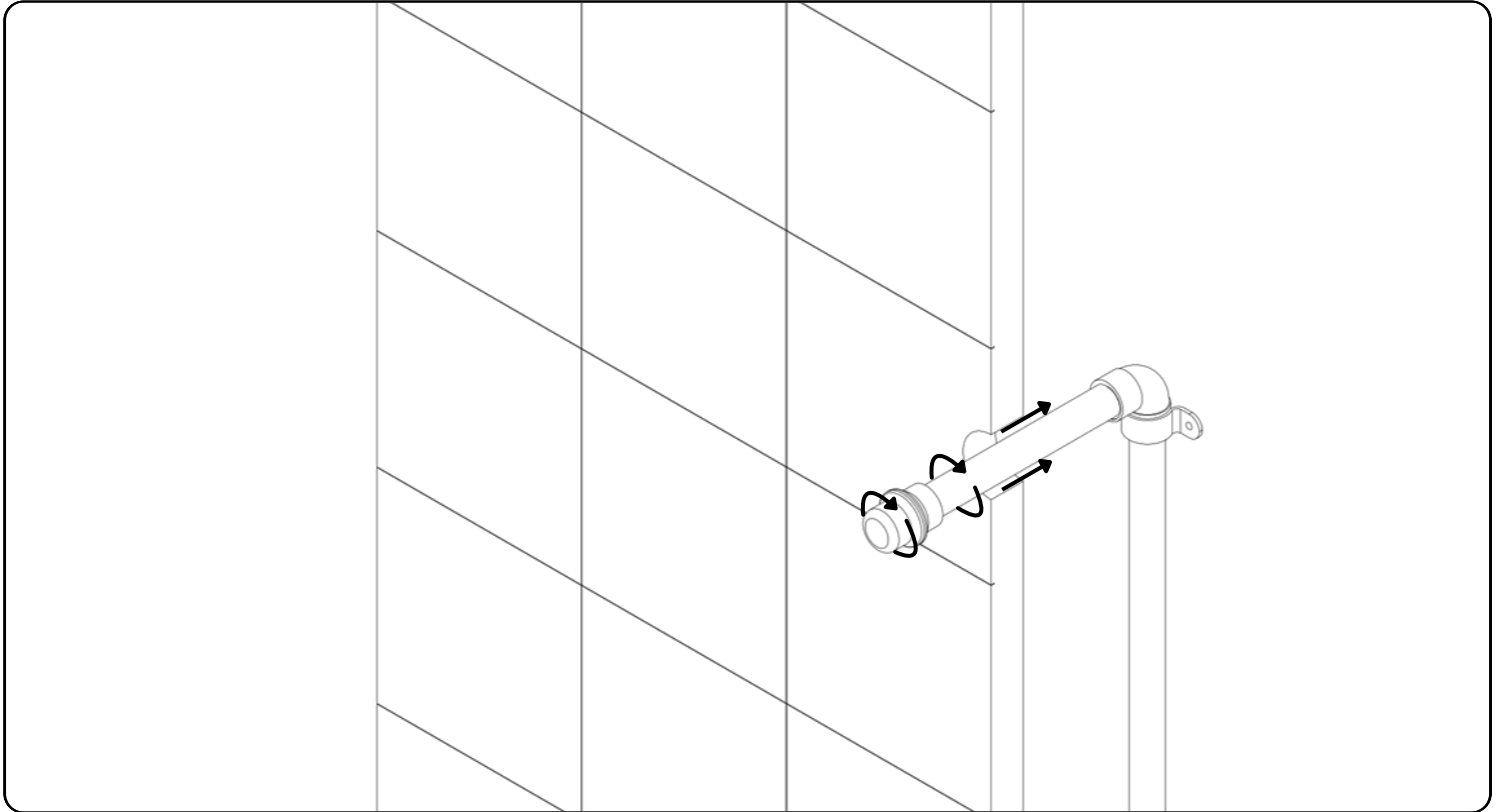
PS108TR

Harmony Thermostatic Shower Trim Kit with Wall Mount Shower Head, Ceiling Mount Shower Head, Hand Held Shower

artos®

INSTALLATION GUIDE

STEP 2



Insert a **temporary** copper stub pipe into the threaded elbow and cap the exposed end. This prevents debris, drywall compound, or tile adhesive from entering the fitting during wall finishing.

Once the surface is complete, remove the temporary pipe and cap.

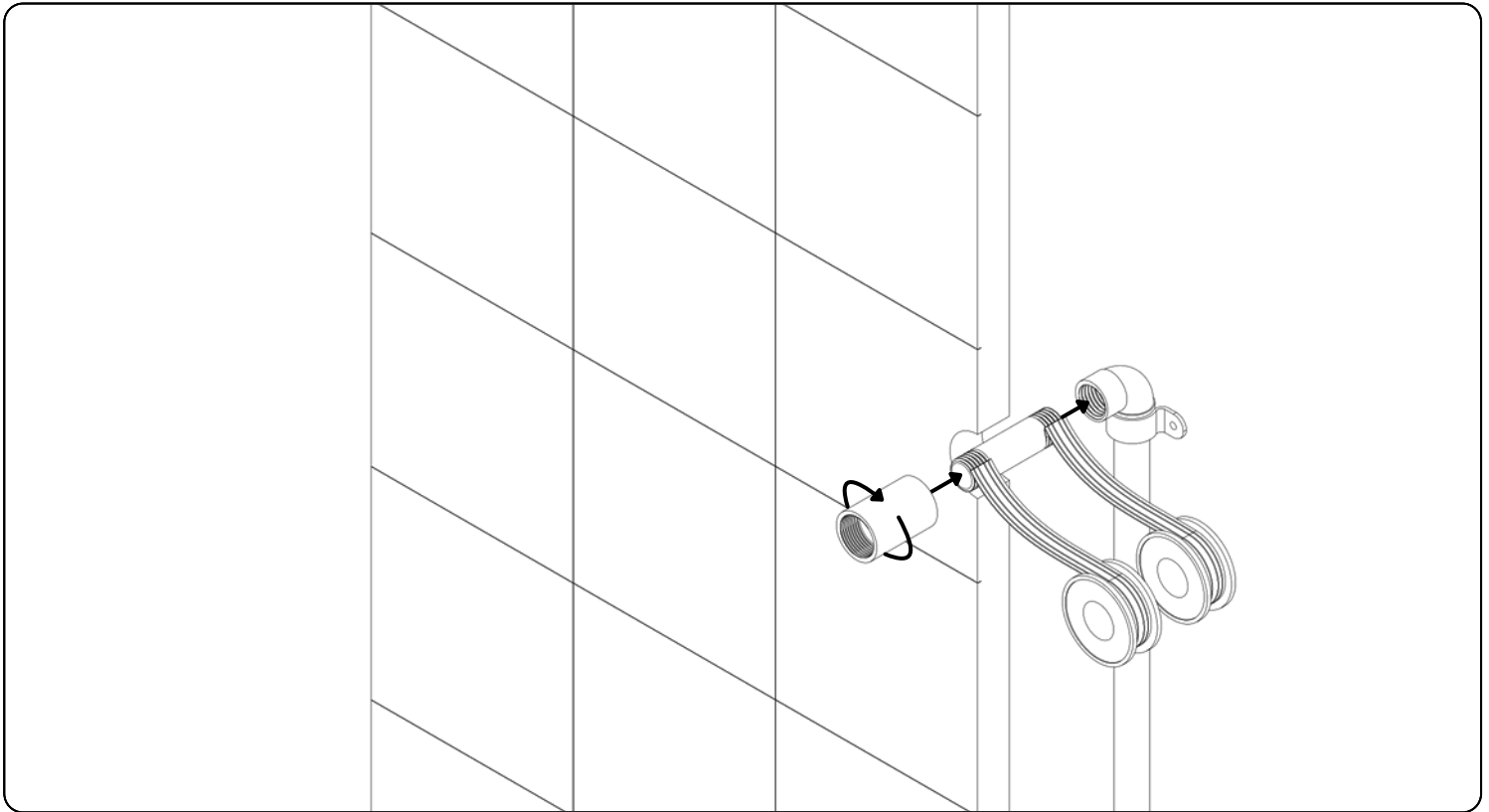
PS108TR

Harmony Thermostatic Shower Trim Kit with Wall Mount Shower Head, Ceiling Mount Shower Head, Hand Held Shower

artos®

INSTALLATION GUIDE

STEP 3



Depending on the mounting of the valve and the positioning of the lines, either thread the arm directly into the elbow fitting or use an extension and a connector.

If using an extension, insert a short section of copper pipe or brass nipple with male **1/2"** NPT threads on both ends into the threaded elbow. Apply plumber's tape (PTFE thread seal tape) to the male threads before installation to ensure a watertight connection. Thread one end of the pipe securely into the elbow fitting behind the wall. Attach a **1/2"** female NPT straight coupling connector to the exposed end of the pipe, applying plumber's tape to the threads. Adjust as needed so that the face of the female connector is flush with the finished wall surface to ensure the escutcheon seats properly during final installation.

Note: Verify that the connector is level and aligned perpendicular to the wall for proper shower arm installation.

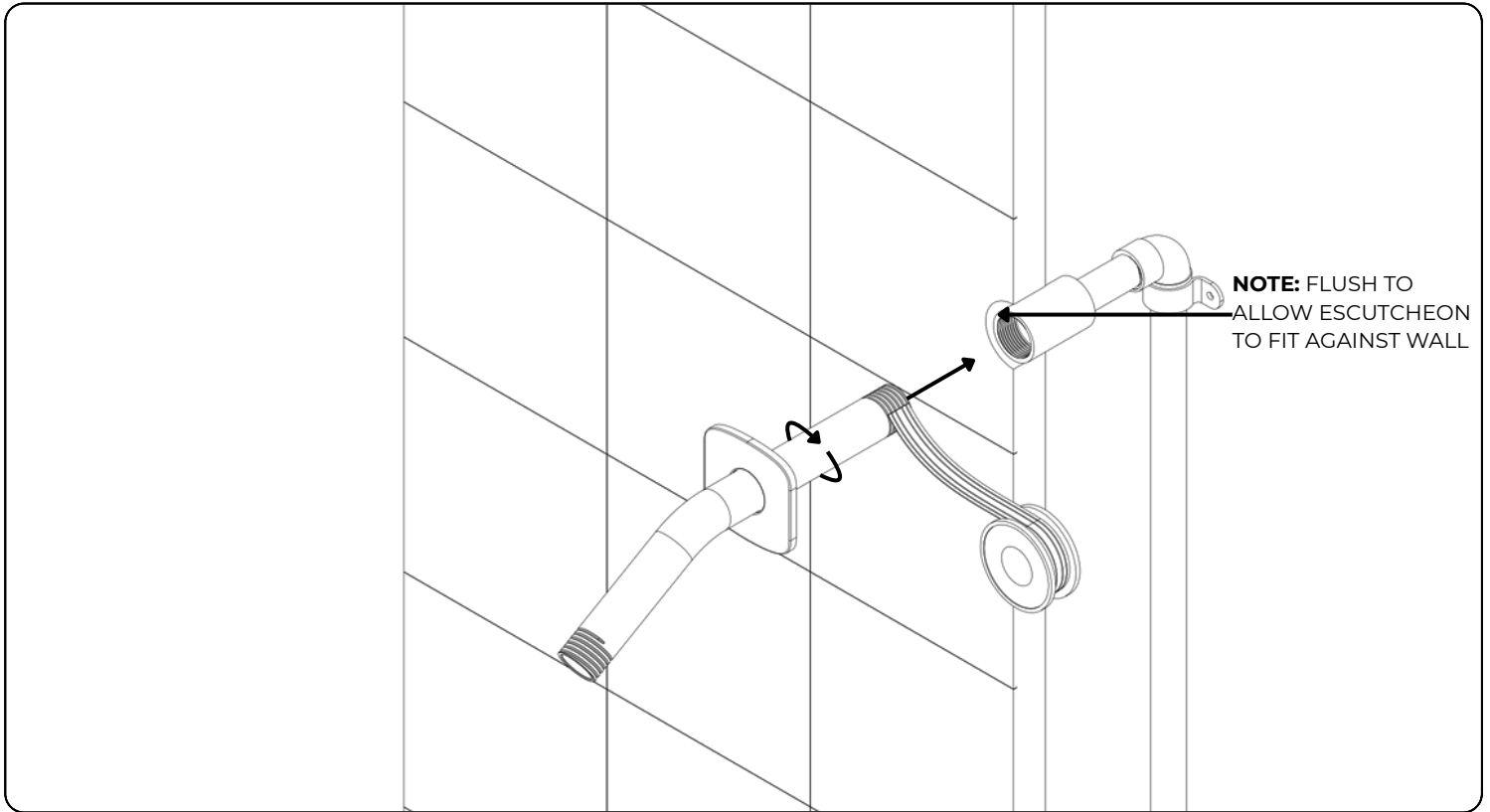
PS108TR

Harmony Thermostatic Shower Trim Kit with Wall Mount Shower Head, Ceiling Mount Shower Head, Hand Held Shower

artos®

INSTALLATION GUIDE

STEP 4



Slide the Harmony escutcheon onto the wall-mounted shower arm, with the finished side facing outward. Wrap plumber's tape around the male threads of the shower arm, wrapped 2-3 times to ensure a tight fit. With the shower arm through the escutcheon, thread it into the pipe connector by hand. Tighten until snug, ensuring the arm is oriented correctly, and the escutcheon sits flush against the wall. If additional tightening is needed, use a rubber-jawed wrench to protect the finish.

Once installed, turn on the local water supply (if in a finished or closed state) and check for leaks at the connection.

Note: A thin bead of silicone sealant may be applied around the outer edge of the escutcheon or where the connector fitting meets the wall to help prevent moisture from entering the wall cavity. Allow the sealant to cure according to the manufacturer's recommended drying time before using the shower.

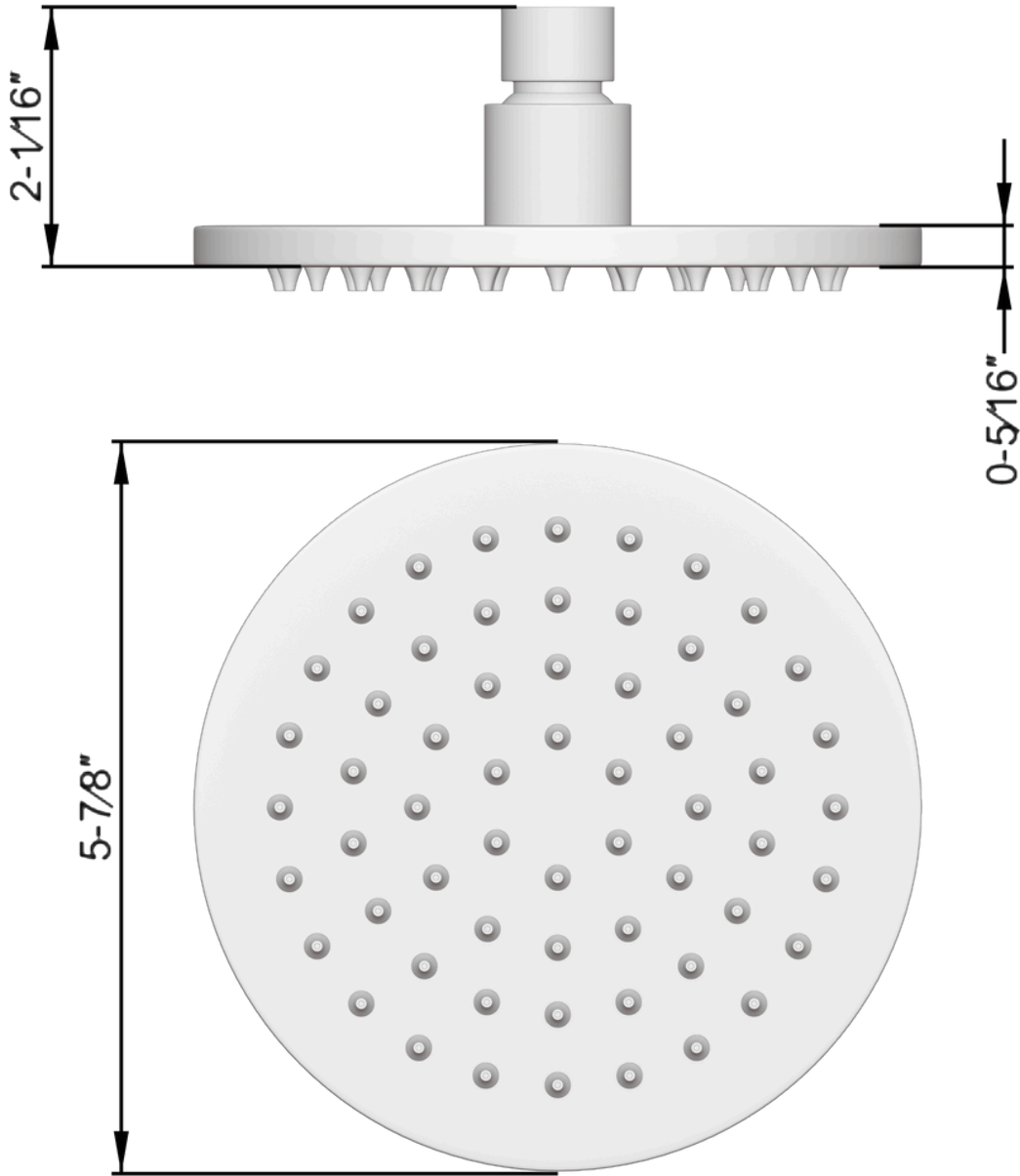
PS108TR

artos®

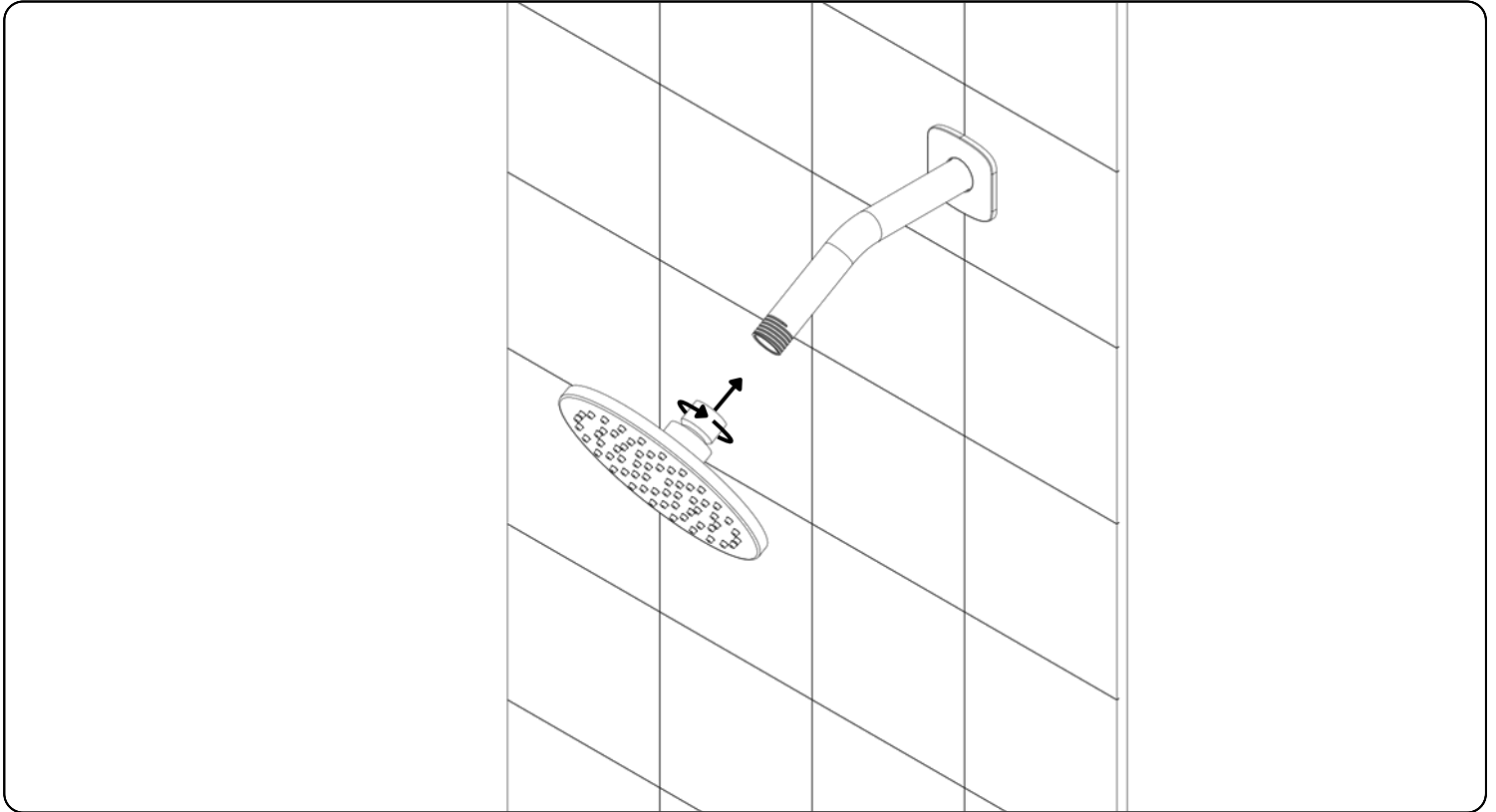
Harmony Thermostatic Shower Trim Kit with Wall Mount Shower Head, Ceiling Mount Shower Head, Hand Held Shower

PRODUCT DIMENSIONS

PRODUCT SKU: F901-18



STEP 1



Align the threaded inlet of the shower head with the taped shower arm threads and carefully begin threading the shower head **by hand**. Tighten until snug, ensuring the shower head is straight and properly oriented. If additional tightening is required, use a soft cloth or rubber-jawed wrench to prevent damage to the finish.

Once secured, turn on the water supply and check for leaks at the connection. If any leakage occurs, remove the shower head and check the swivel arm seal to ensure it is in place. If any leak persists, use plumber's tape (PTFE thread seal tape) on a non-viable connection and reinstall.

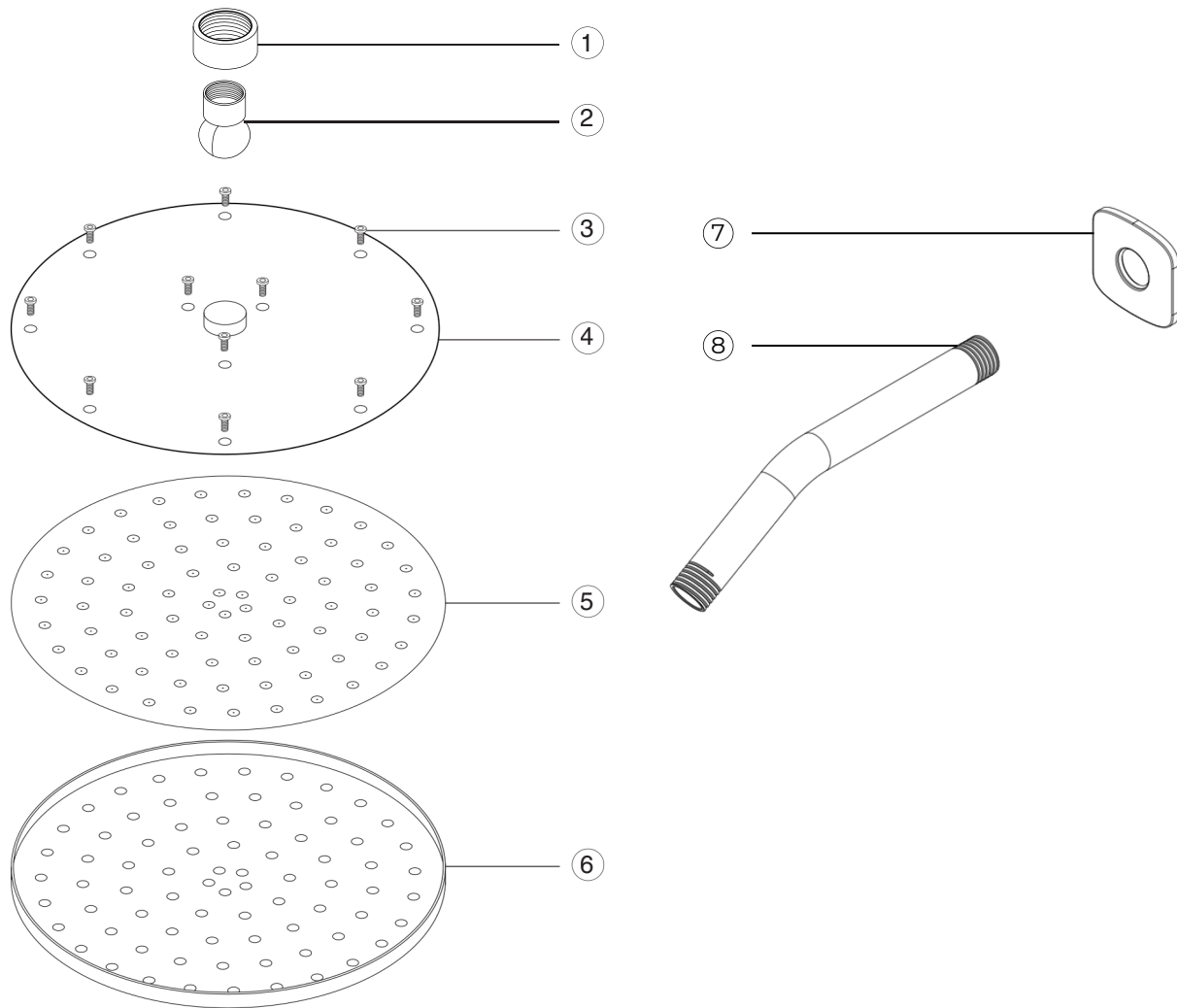
Compatibility: F901-18 is Compatible with all Artos 1/2 NPT threaded arms

PS108TR

Harmony Thermostatic Shower Trim Kit with Wall Mount Shower Head, Ceiling Mount Shower Head, Hand Held Shower

PARTS BREAKDOWN

PRODUCT SKU: F901-18, F902-11TR



- ① SWIVEL ARM SECURING NUT
- ② SWIVEL ARM
- ③ SHOWER HEAD SCREWS
- ④ SHOWER HEAD TOP

- ⑤ RUBBER MATRIX
- ⑥ SHOWER HEAD BOTTOM
- ⑦ SHOWER ARM ESCUTCHEON HARMONY
- ⑧ SHOWER ARM

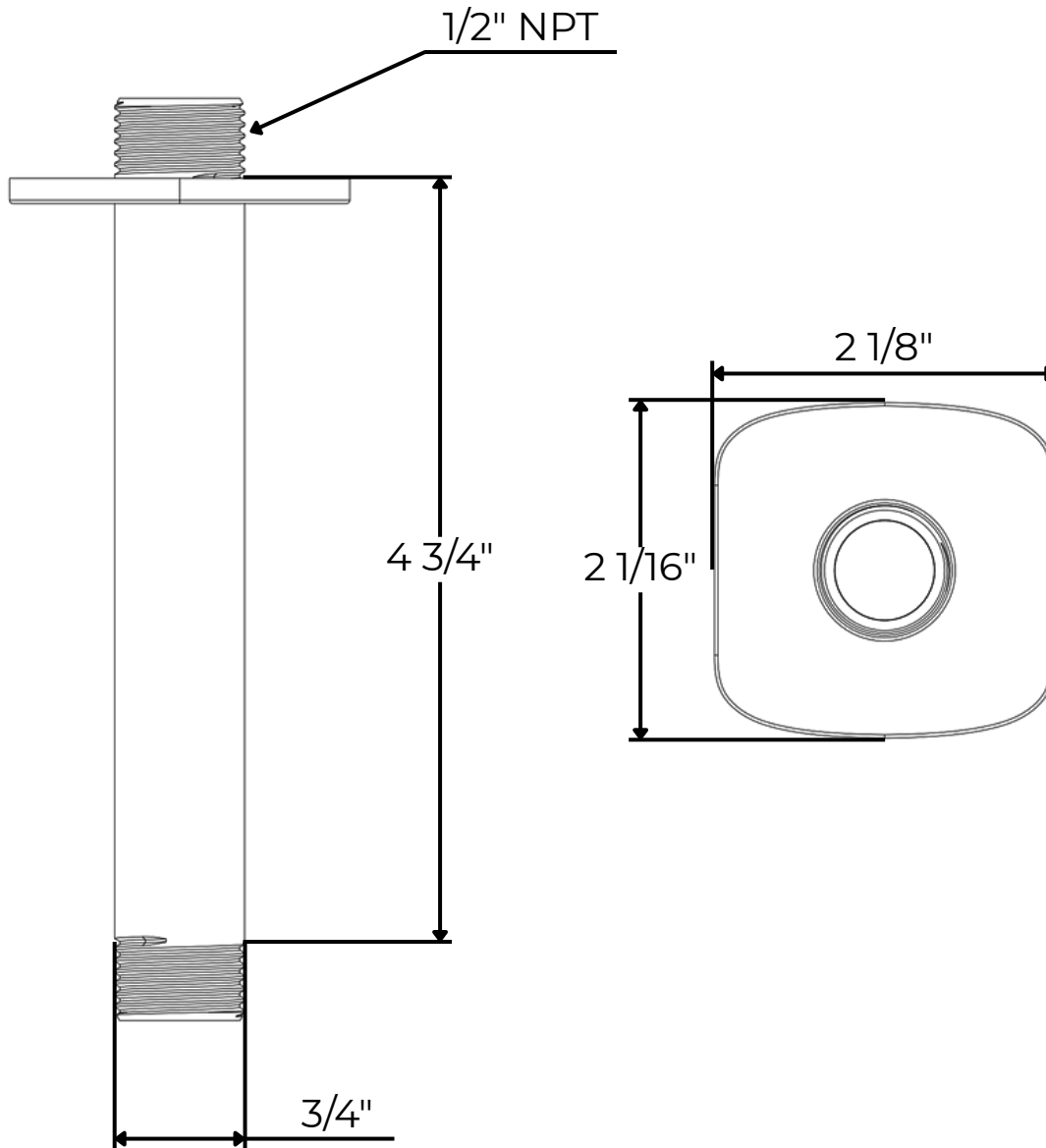
PS108TR

Harmony Thermostatic Shower Trim Kit with Wall Mount Shower Head, Ceiling Mount Shower Head, Hand Held Shower

PRODUCT SKU: F902-3TR

artos®

PRODUCT DIMENSIONS



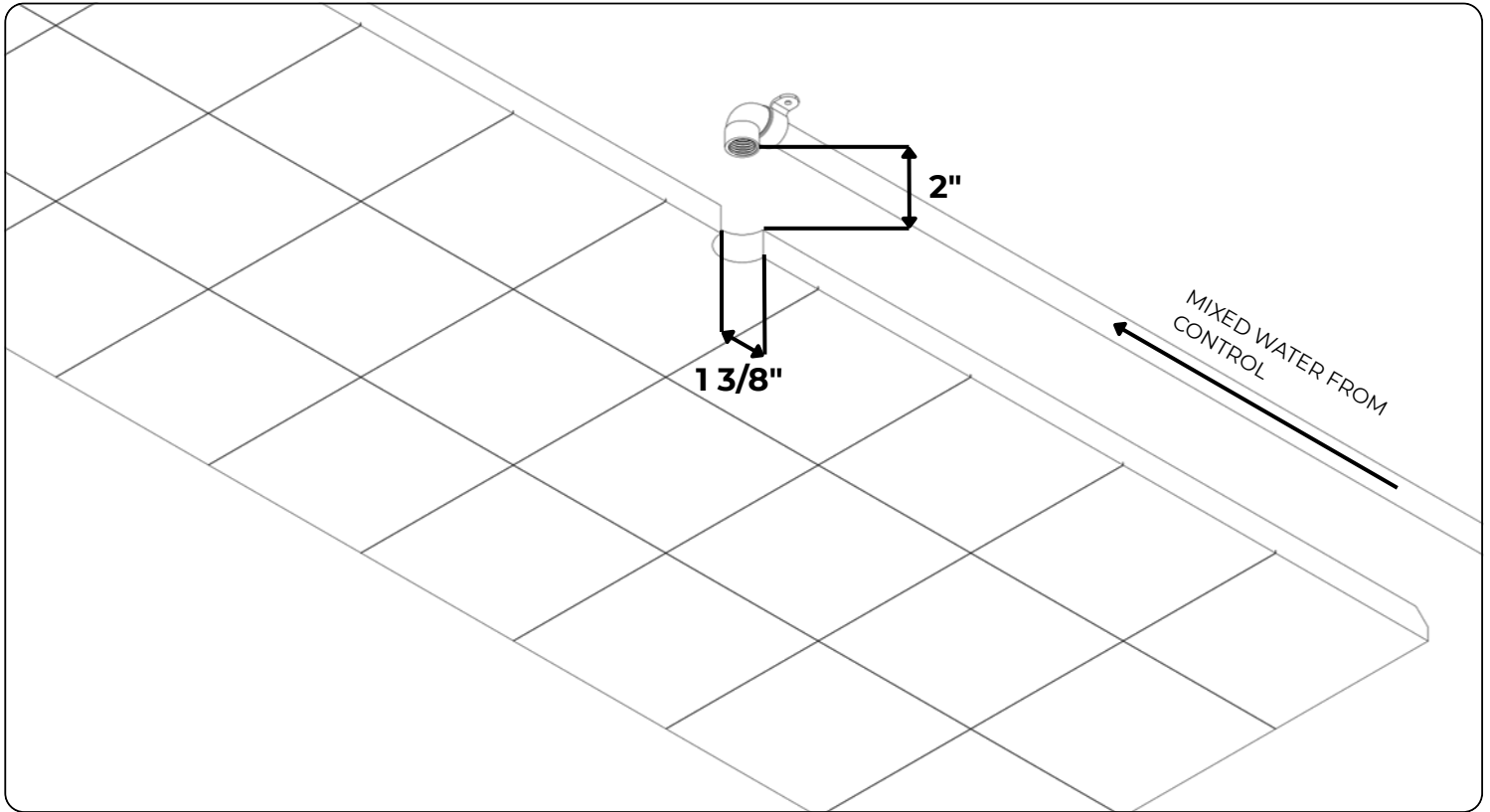
PS108TR

artos®

Harmony Thermostatic Shower Trim Kit with Wall Mount Shower Head, Ceiling Mount Shower Head, Hand Held Shower

INSTALLATION GUIDE

STEP 1



Safety Warnings

- Shut off the main or local water supply before beginning installation.
- Use caution when handling sharp tools and metal parts.
- Do not overtighten connections, as this may damage components or create leaks.
- Ensure the psi of the local water supply remains in the recommended psi range on the operating specifications page

Before beginning, verify that all parts and tools required for installation are available. Review the installation diagram in the parts breakdown at the end of this manual.

Behind the ceiling, route the mixed water supply line from the control valve to the desired height for the shower arm outlet. Install a **1/2"** female threaded elbow fitting, positioning it so the open end faces outward perpendicular from the ceiling faces. Ensure the outlet of the elbow is a maximum of **2"** from the inside surface of the finished ceiling to allow adequate space for threading the copper pipe or brass nipple.

Drill a horizontal opening, **1 3/8"** in diameter or smaller, through the ceiling. Ensure the hole is centered on the supply outlet to accommodate the shower arm connector fitting.

27

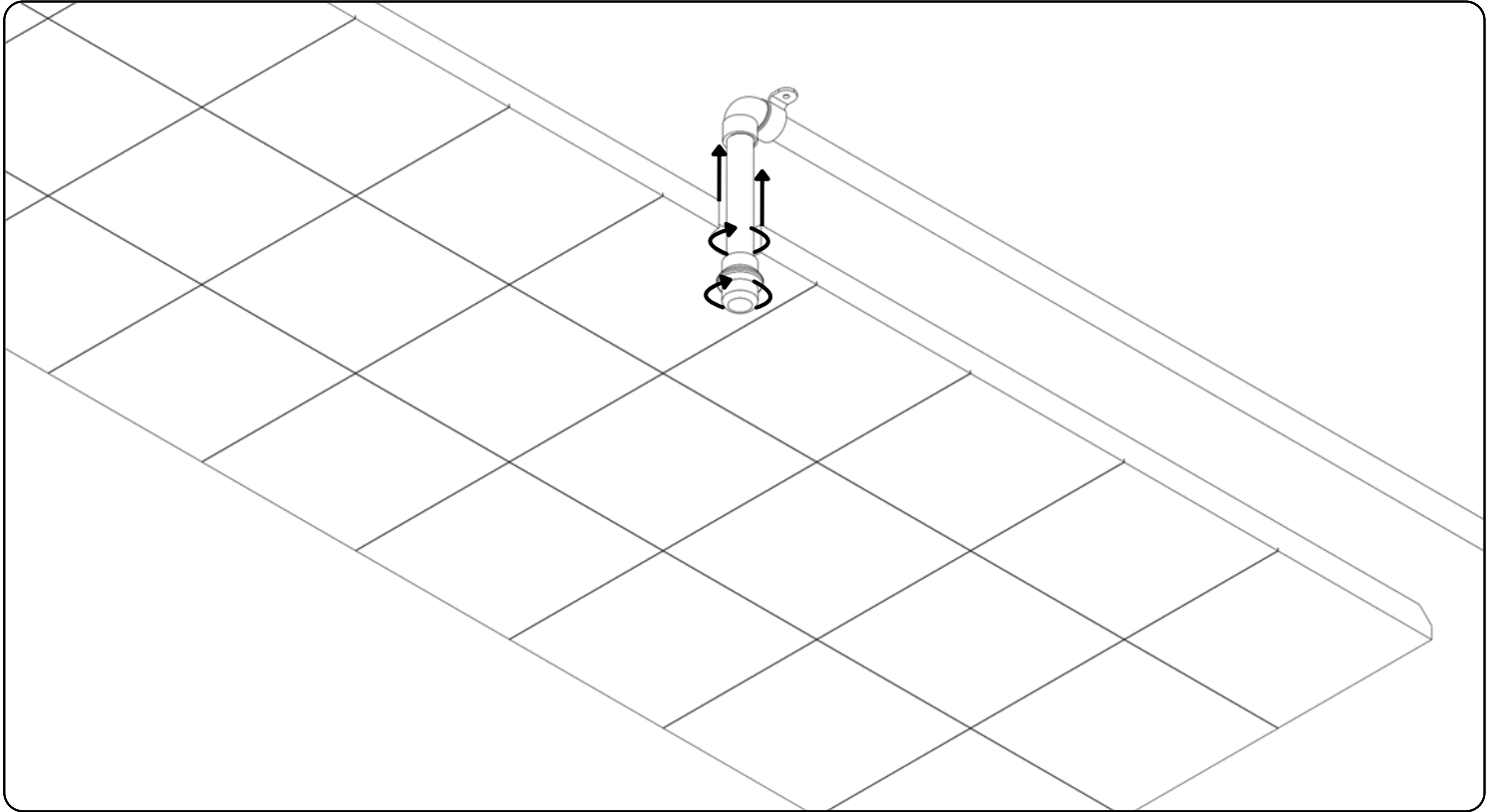
PS108TR

Harmony Thermostatic Shower Trim Kit with Wall Mount Shower Head, Ceiling Mount Shower Head, Hand Held Shower

artos®

INSTALLATION GUIDE

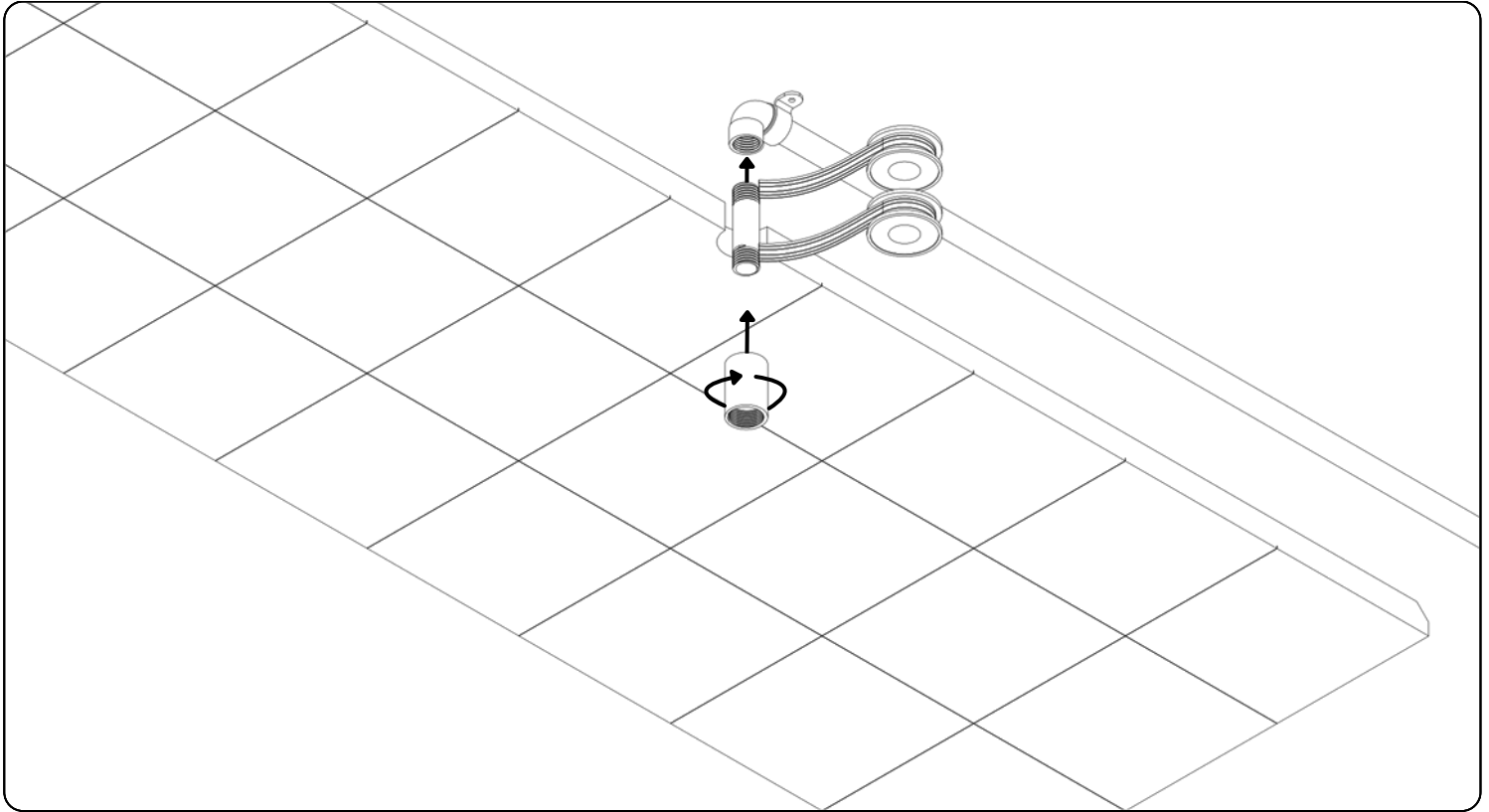
STEP 2



Insert a **temporary** copper stub pipe into the threaded elbow and cap the exposed end. This prevents debris, drywall compound, or tile adhesive from entering the fitting during ceiling finishing.

Once the surface is complete, remove the temporary pipe and cap.

STEP 3

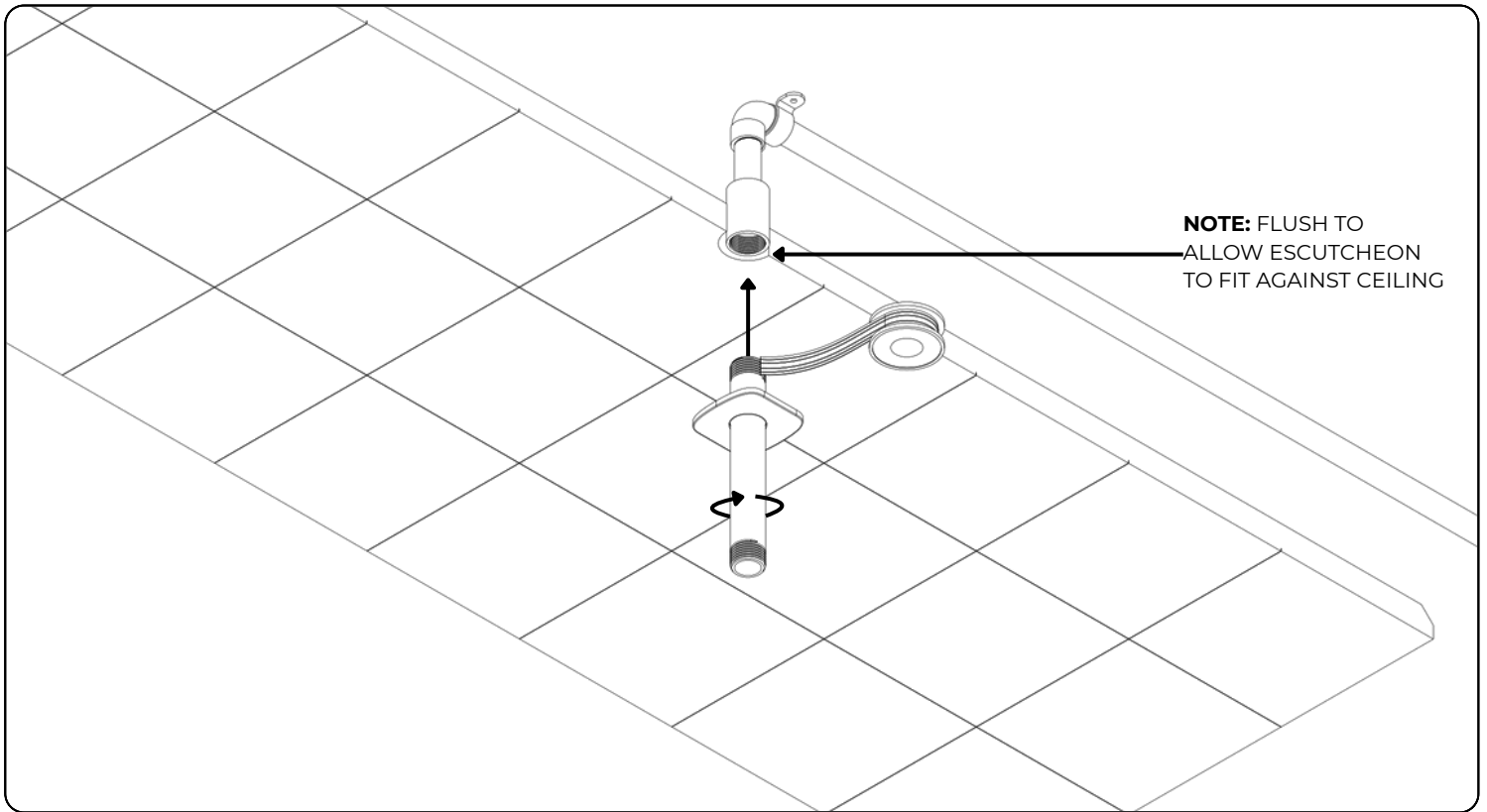


Depending on the mounting of the valve and the positioning of the lines, either thread the arm directly into the elbow fitting or use an extension and a connector.

If using an extension, insert a short section of copper pipe or brass nipple with male **1/2"** NPT threads on both ends into the threaded elbow. Apply plumber's tape (PTFE thread seal tape) to the male threads before installation to ensure a watertight connection. Thread one end of the pipe securely into the elbow fitting behind the ceiling. Attach a **1/2"** female NPT straight coupling connector to the exposed end of the pipe, applying plumber's tape to the threads. Adjust as needed so that the face of the female connector is flush with the finished ceiling surface to ensure the escutcheon seats properly during final installation.

Note: Verify that the connector is level and aligned perpendicular to the ceiling for proper shower arm installation.

STEP 4



Slide the Harmony escutcheon onto the ceiling-mounted shower arm, with the finished side facing outward. Wrap plumber's tape around the male threads of the shower arm, wrapped 2-3 times to ensure a tight fit. With the shower arm through the escutcheon, thread it into the pipe connector by hand. Tighten until snug, ensuring the arm is oriented correctly, and the escutcheon sits flush against the ceiling. If additional tightening is needed, use a rubber-jawed wrench to protect the finish.

Once installed, turn on the local water supply (if in a finished or closed state) and check for leaks at the connection.

Note: A thin bead of silicone sealant may be applied around the outer edge of the escutcheon or where the connector fitting meets the ceiling to help prevent moisture from entering the ceiling cavity. Allow the sealant to cure according to the manufacturer's recommended drying time before using the shower.

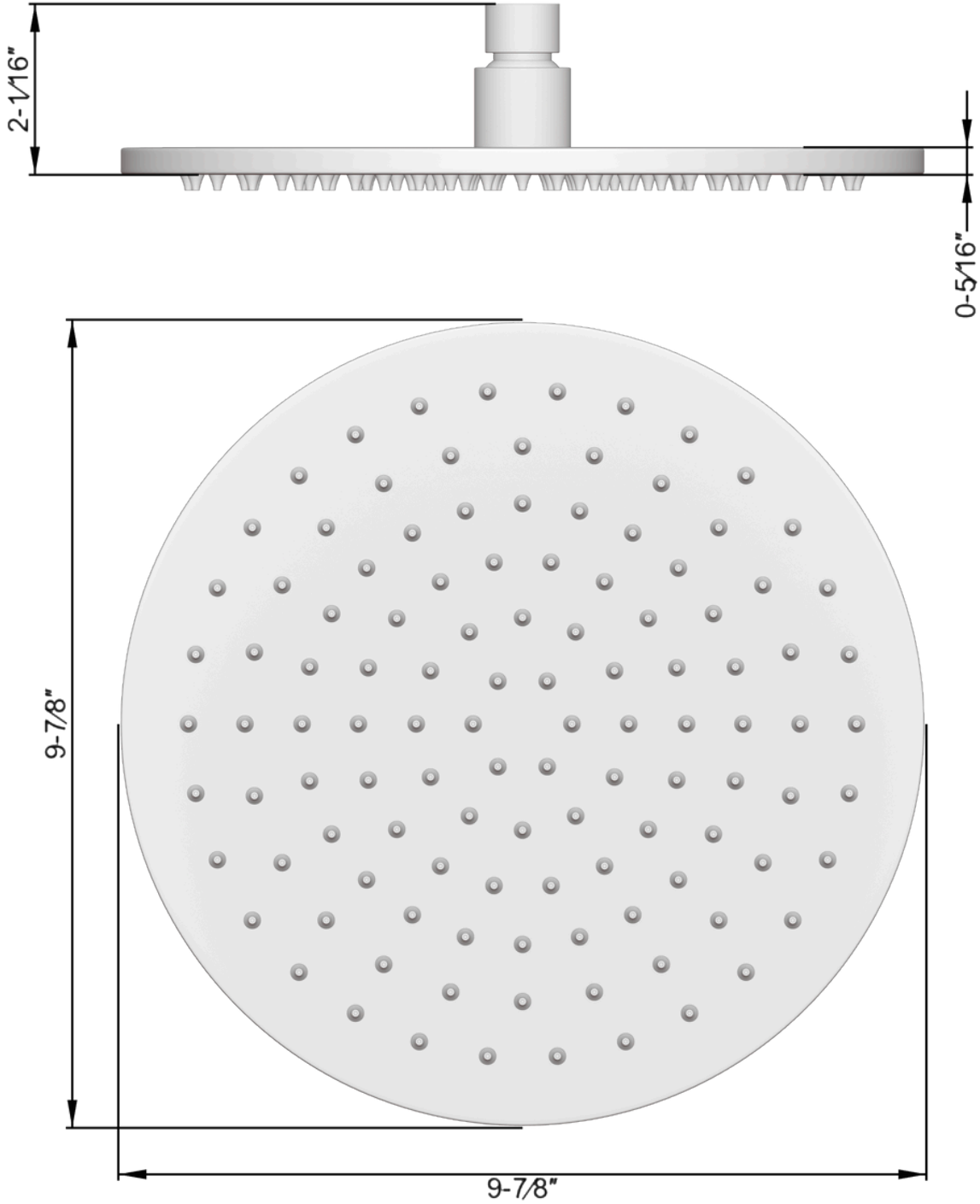
PS108TR

artos®

Harmony Thermostatic Shower Trim Kit with Wall Mount Shower Head, Ceiling Mount Shower Head, Hand Held Shower

PRODUCT DIMENSIONS

PRODUCT SKU: F901-8



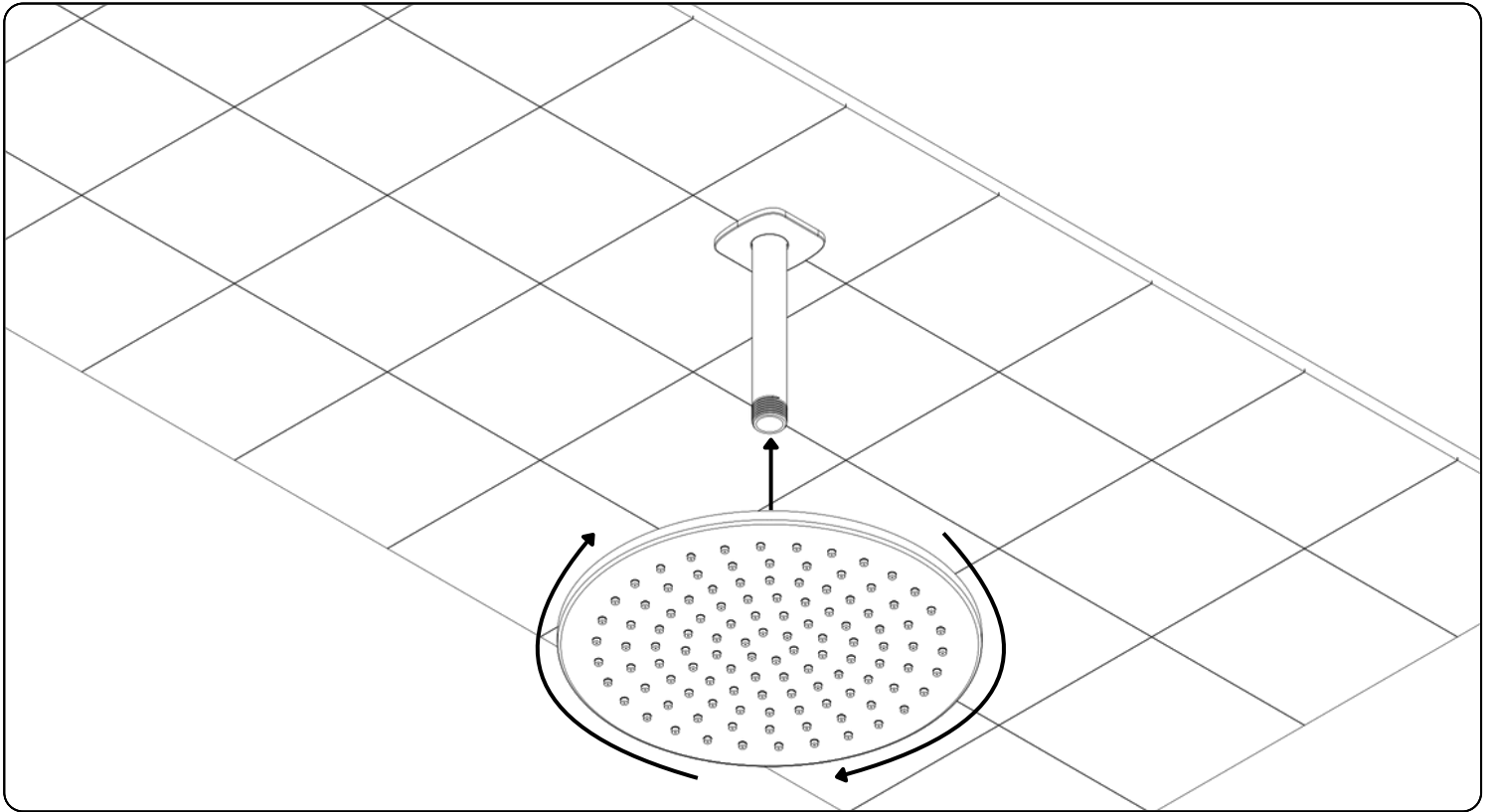
PS108TR

artos®

Harmony Thermostatic Shower Trim Kit with Wall Mount Shower Head, Ceiling Mount Shower Head, Hand Held Shower

INSTALLATION GUIDE

STEP 1



Align the threaded inlet of the shower head with the taped shower arm threads and carefully begin threading the shower head **by hand**. Tighten until snug, ensuring the shower head is straight and properly oriented. If additional tightening is required, use a soft cloth or rubber-jawed wrench to prevent damage to the finish.

Once secured, turn on the water supply and check for leaks at the connection. If any leakage occurs, remove the shower head and check the swivel arm seal to ensure it is in place. If any leak persists, use plumber's tape (PTFE thread seal tape) on a non-viable connection and reinstall.

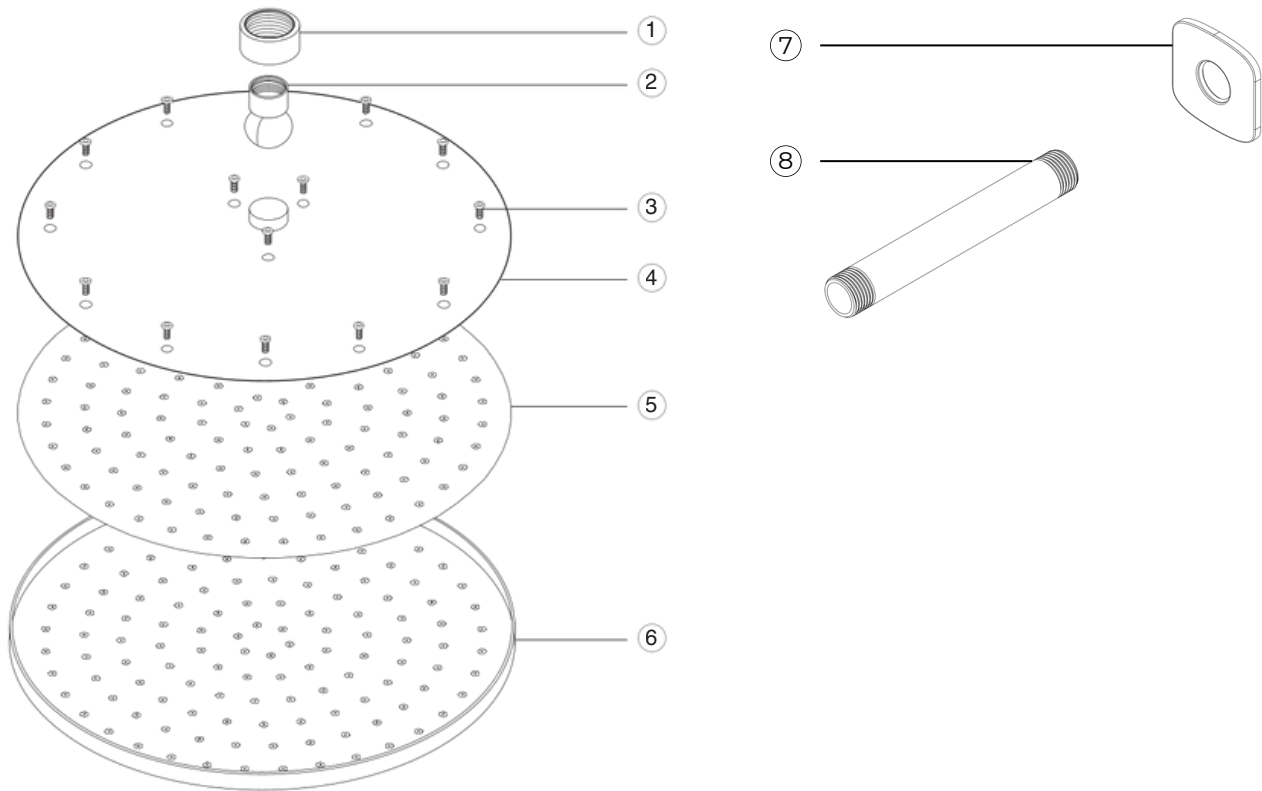
Compatibility: F901-8 is Compatible with all Artos 1/2 NPT threaded arms

PS108TR

Harmony Thermostatic Shower Trim Kit with Wall Mount Shower Head, Ceiling Mount Shower Head, Hand Held Shower

PRODUCT SKU: F901-8, F902-3TR

PARTS BREAKDOWN



- ① SWIVEL ARM SECURING NUT
- ② SWIVEL ARM
- ③ SHOWER HEAD SCREWS
- ④ SHOWER HEAD TOP

- ⑤ RUBBER MATRIX
- ⑥ SHOWER HEAD BOTTOM
- ⑦ SHOWER ARM ESCUTCHEON HARMONY
- ⑧ SHOWER ARM

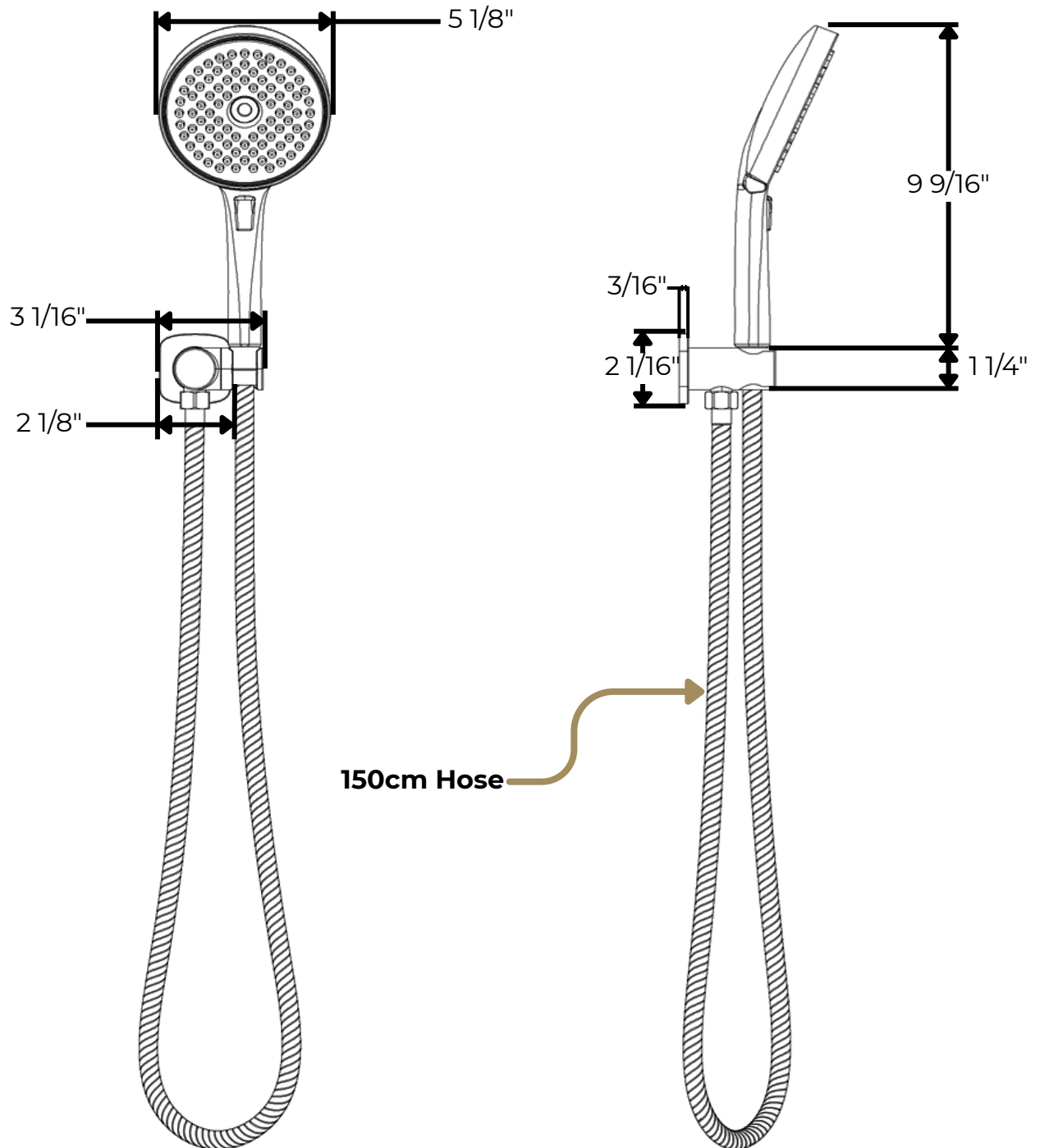
PS108TR

Harmony Thermostatic Shower Trim Kit with Wall Mount Shower Head, Ceiling Mount Shower Head, Hand Held Shower

PRODUCT SKU: F907-5TR

artos®

PRODUCT DIMENSIONS



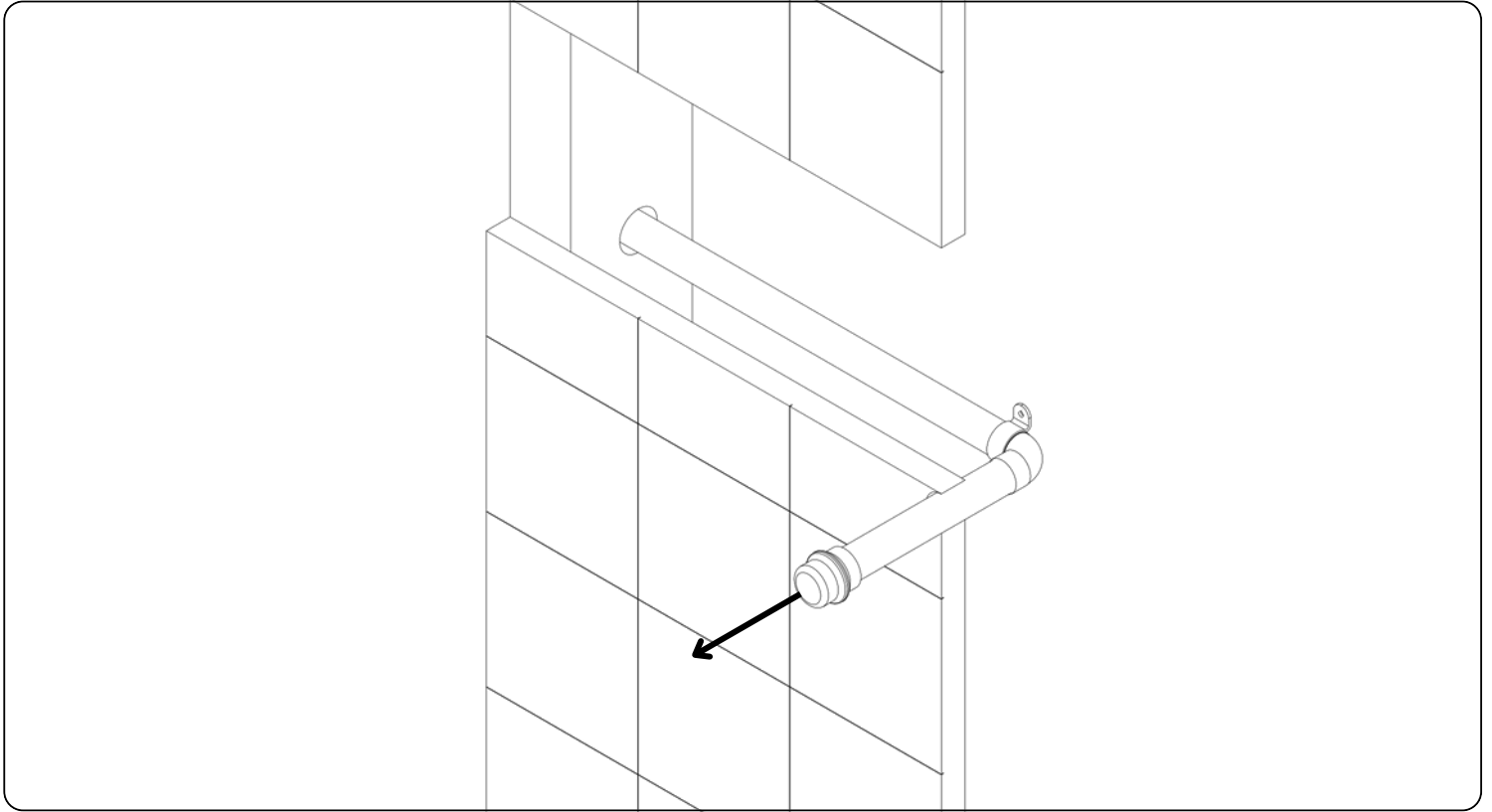
PS108TR

artos®

Harmony Thermostatic Shower Trim Kit with Wall Mount Shower Head, Ceiling Mount Shower Head, Hand Held Shower

INSTALLATION GUIDE

STEP 1



Safety Warnings

- Shut off the main or local water supply before beginning installation.
- Use caution when handling sharp tools and metal parts.
- Do not overtighten connections, as this may damage components or create leaks.
- Ensure the psi of the local water supply remains in the recommended psi range on the operating specifications page
- Wear protective gloves throughout installation to prevent injury and protect the finish of the components.

Before beginning, verify that all parts and tools required for installation are available. Review the installation diagram in the parts breakdown at the end of each manual section.

Install the control valve (F973AVO or F973ANSVO) in accordance with the valve and trim kit manual. Route the outlet from the control valve to the intended location of the shower wand. Refer to the valve/trim kit documentation for rough-in depth, mounting requirements, and additional specifications.

After wall finishing is complete, remove the temporary outlet pipe stub for installation.

35

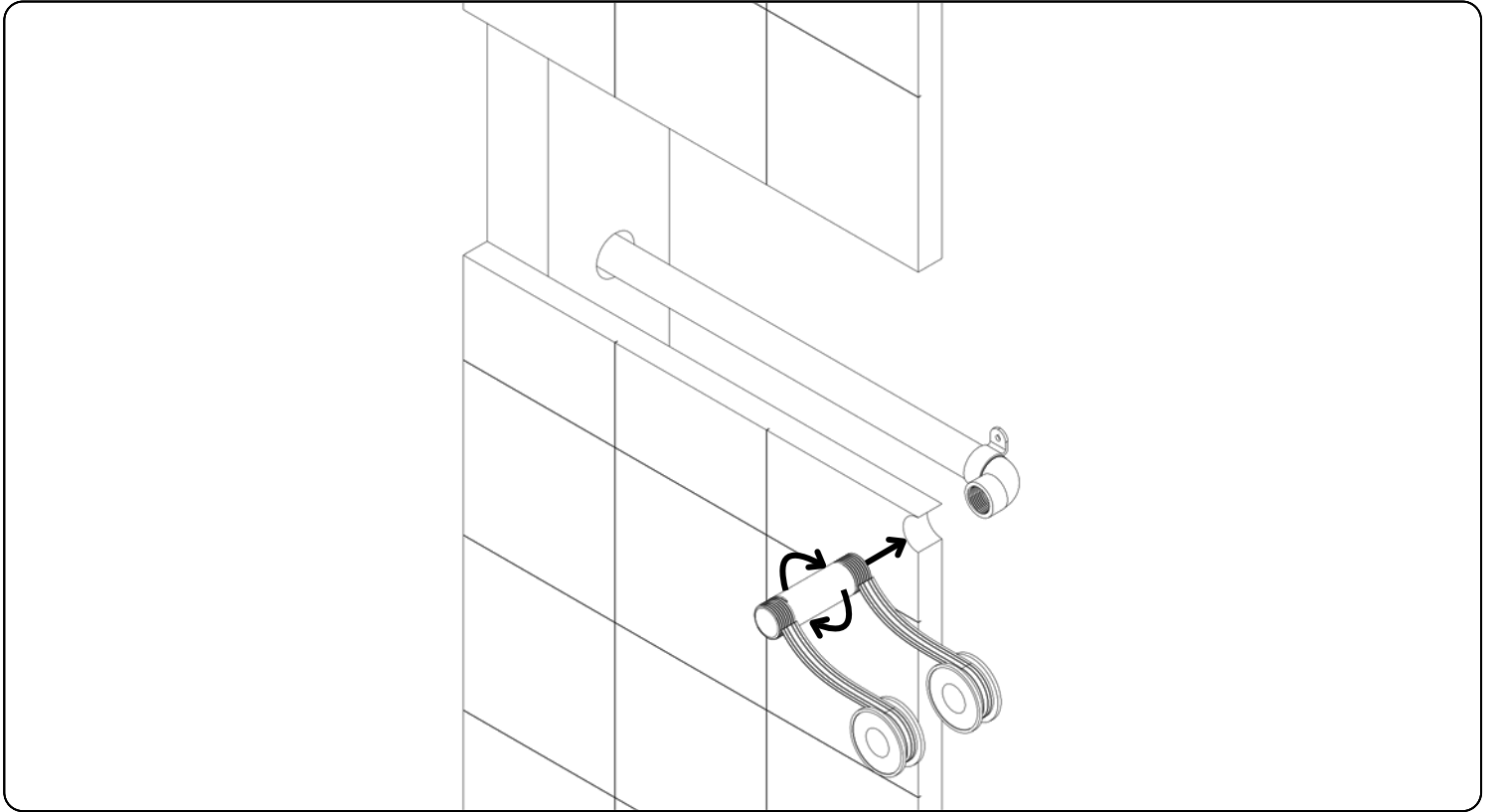
PS108TR

Harmony Thermostatic Shower Trim Kit with Wall Mount Shower Head, Ceiling Mount Shower Head, Hand Held Shower

artos®

INSTALLATION GUIDE

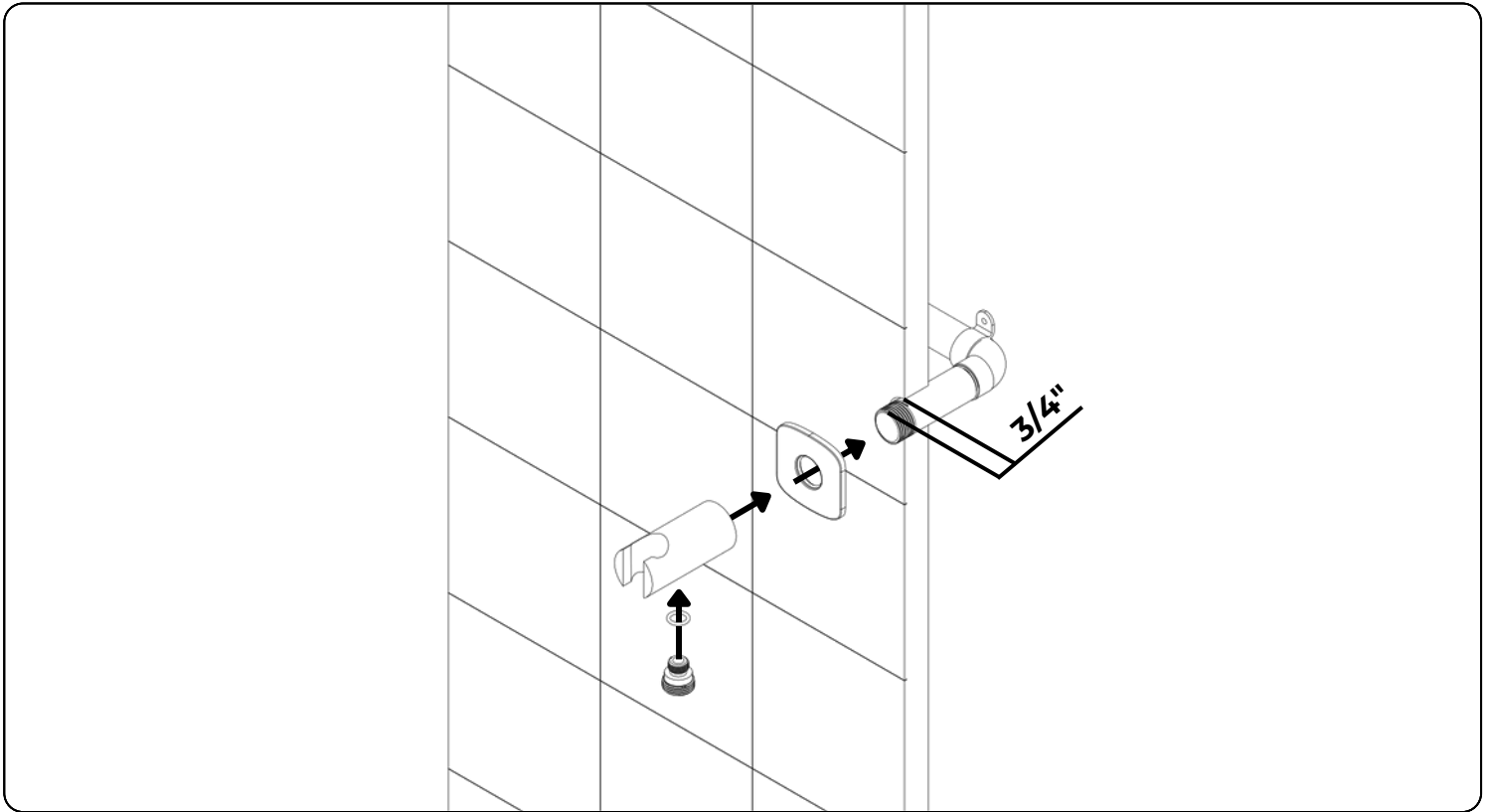
STEP 2



Insert a double-threaded copper pipe into the threaded elbow fitting. Apply **PTFE** (plumber's tape) evenly to the male threads on both ends of the pipe to ensure a watertight seal. Thread the pipe into the elbow using a clockwise rotation and tighten securely using an appropriate wrench, taking care not to overtighten.

Confirm that the threaded pipe protrudes **3/4** in. from the finished wall surface. This projection is required to ensure proper engagement with the trim components and correct final alignment.

STEP 3



Position the water outlet onto the wand holder, ensuring the O-ring is properly seated between the mating surfaces. Secure the connection by tightening the fastener using the provided Allen wrench until snug.

Slide the escutcheon over the threaded pipe and press it flush against the finished wall surface. Ensure the escutcheon sits evenly and fully covers the wall opening. Once aligned, secure the wand holder assembly to the wall by tightening it onto the threaded pipe until firmly seated.

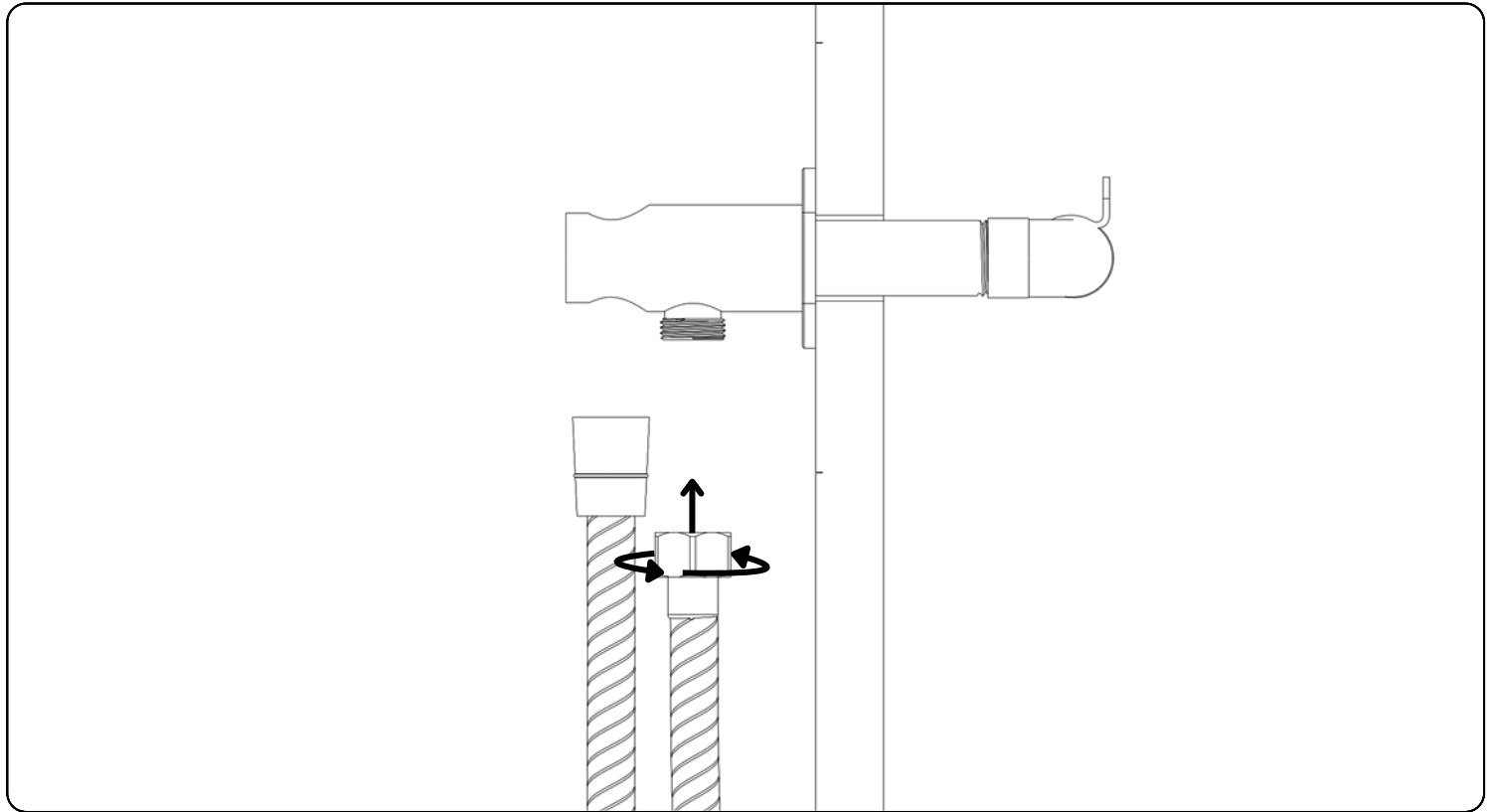
PS108TR

Harmony Thermostatic Shower Trim Kit with Wall Mount Shower Head, Ceiling Mount Shower Head, Hand Held Shower

artos®

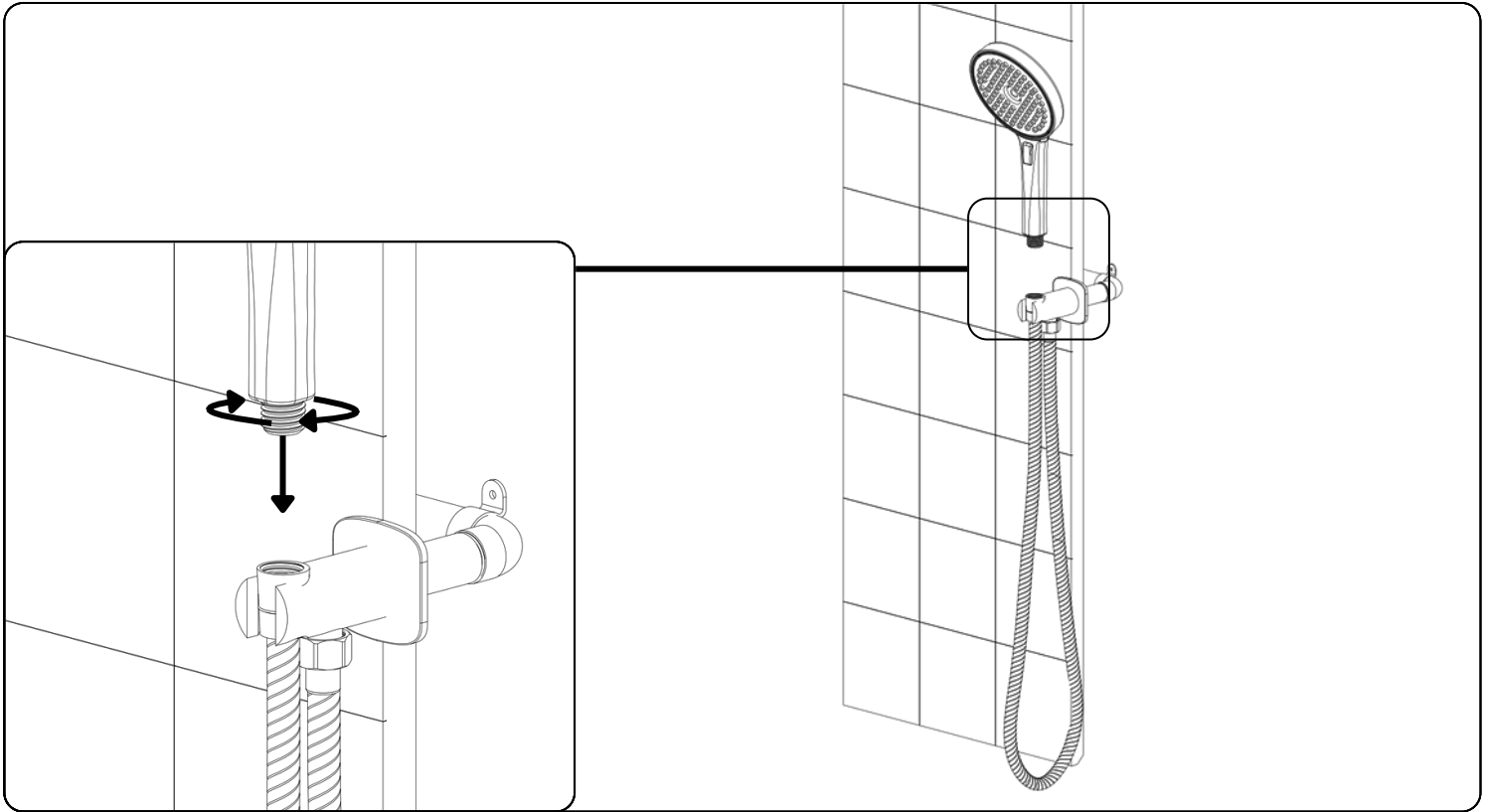
INSTALLATION GUIDE

STEP 4



Thread the flexible hose onto the outlet connection using a clockwise motion. Hand-tighten until secure, then lightly snug if required, taking care not to damage the hose fitting. Place the beveled end of the flexible hose into the wand holder, ensuring it rests properly and is fully supported.

STEP 5



Attach the shower wand to the flexible shower hose by rotating the wand clockwise until fully secured. Ensure the connection is tight and properly aligned to prevent leaks and allow smooth operation.

Additional Notes:

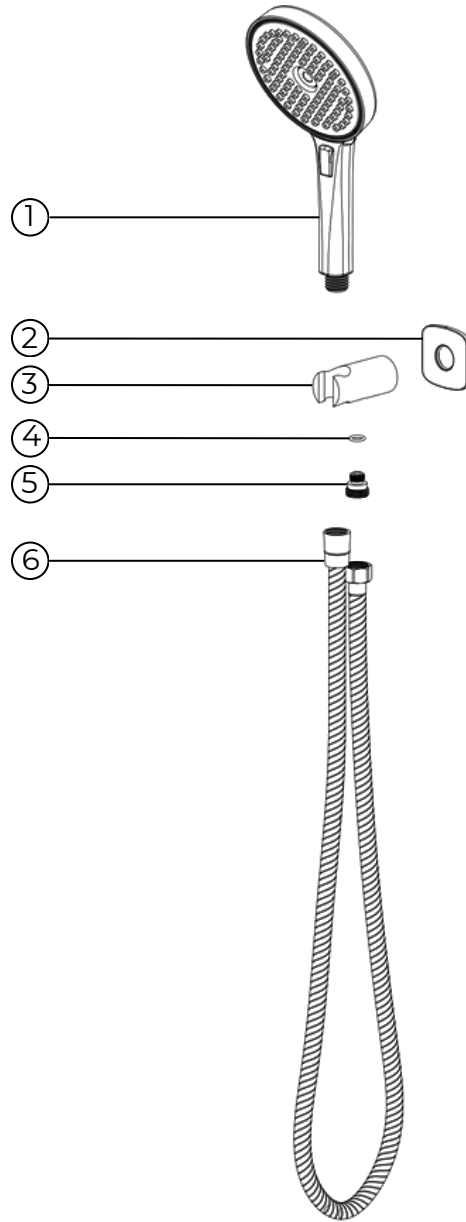
- Plumbing components not explicitly included with this product must be sourced separately.
- After installation, once the lines are in a finished state, flush the water lines by running water for several minutes to remove any debris or installation residue.
- Periodically inspect all connections and washers for signs of wear and retighten if necessary.

PS108TR

Harmony Thermostatic Shower Trim Kit with Wall Mount Shower Head, Ceiling Mount Shower Head, Hand Held Shower

PARTS BREAKDOWN

PRODUCT SKU: F907-5TR



- ① HARMONY HANDSHOWER
- ② HARMONY ESCUTCHEON
- ③ WAND HOLDER + OUTLET

- ④ CONNECTOR O-RING
- ⑤ HOSE OUTLET CONNECTOR
- ⑥ FLEXIBLE SHOWER HOSE

PS108TR

Harmony Thermostatic Shower Trim Kit with Wall Mount Shower Head, Ceiling Mount Shower Head, Hand Held Shower

PRODUCT SKU: PS108TR

PARTS BREAKDOWN

