

artos[®]

MS12250W

INSTALLATION GUIDE

lioni towel warmer,
hardwired

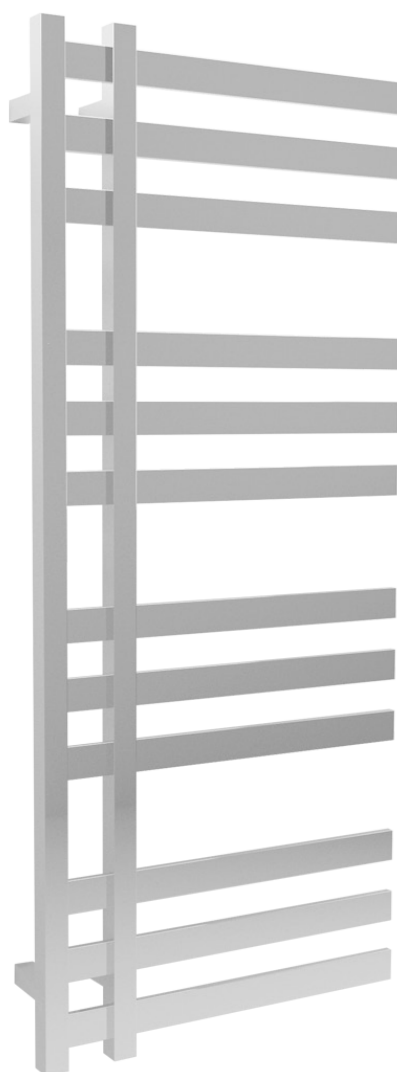
BRUSHED NICKEL(BN)



CHROME(CH)



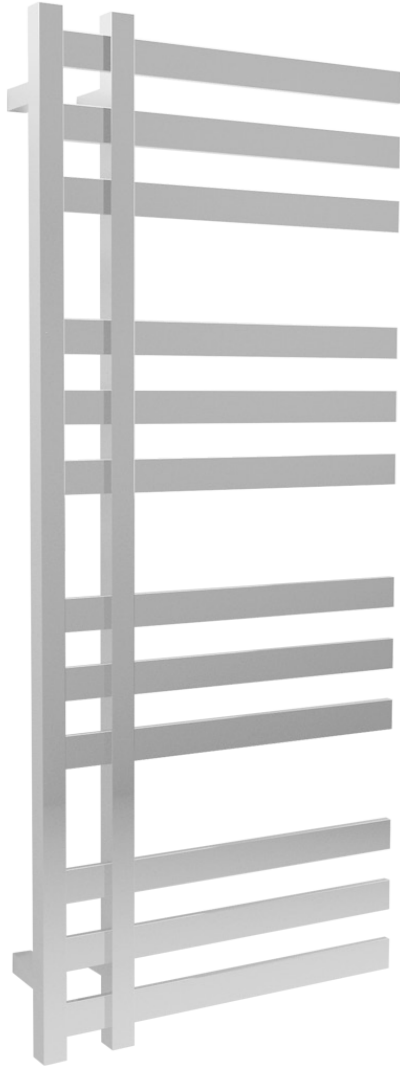
BLACK(BK)



MS12250W

OPERATING SPECIFICATIONS

lioni towel warmer,
hardwired



FEATURES

Towel warming, drying and auxiliary heating.

ELEMENT

300W, 110V

CODES

UL Approved

CSA-US Approved

REQUIREMENTS

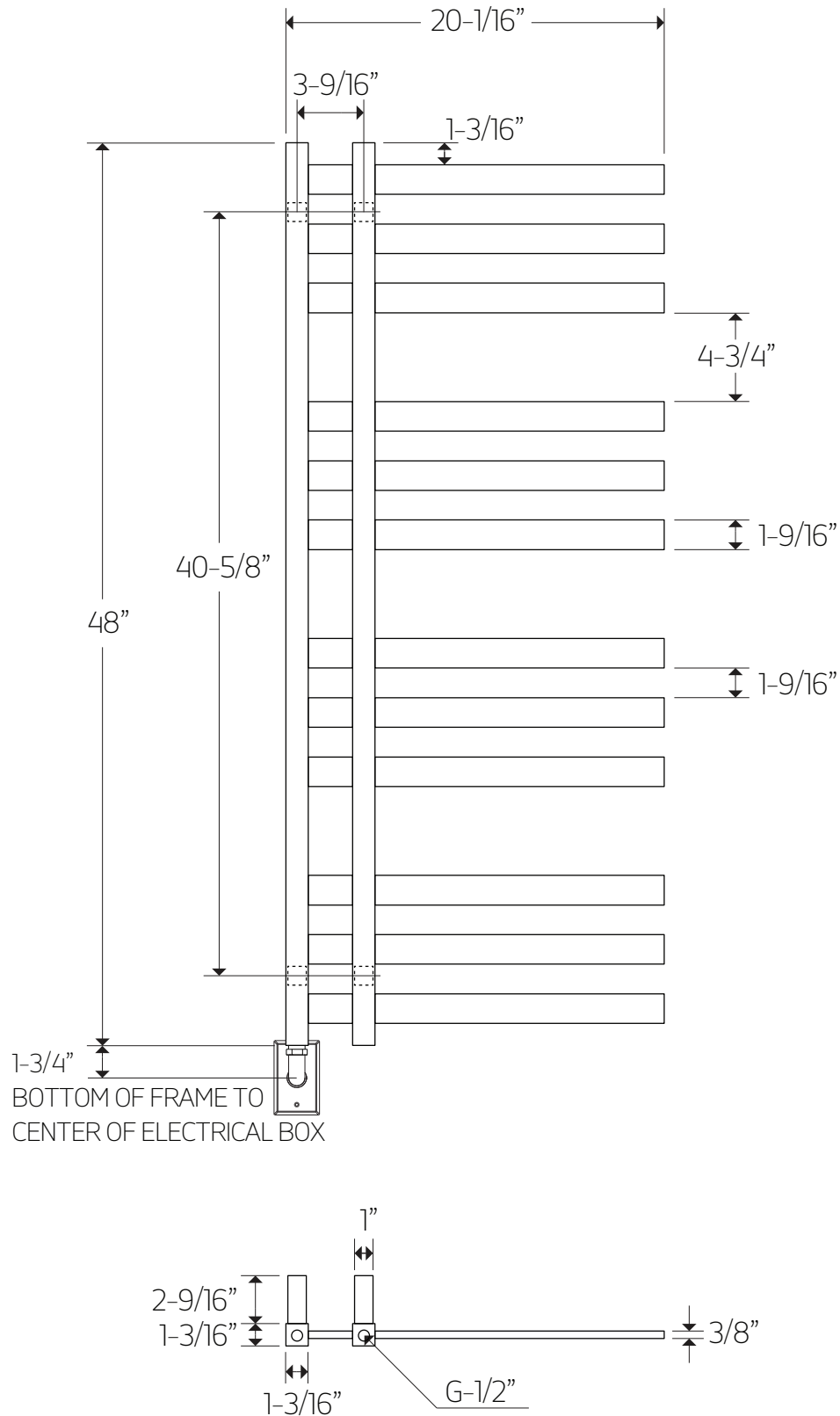
The towel warmer must be installed so that the Element is at the bottom.

artos[®]

MS12250W

PRODUCT DIMENSIONS

ioni towel warmer,
hardwired

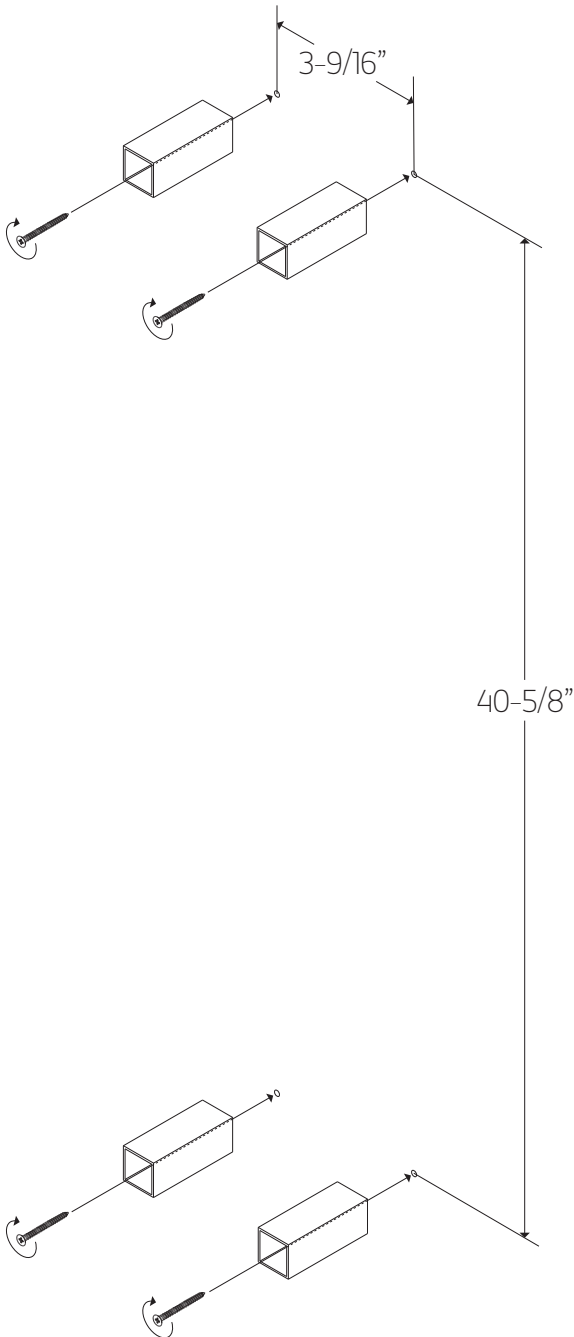


MS12250W

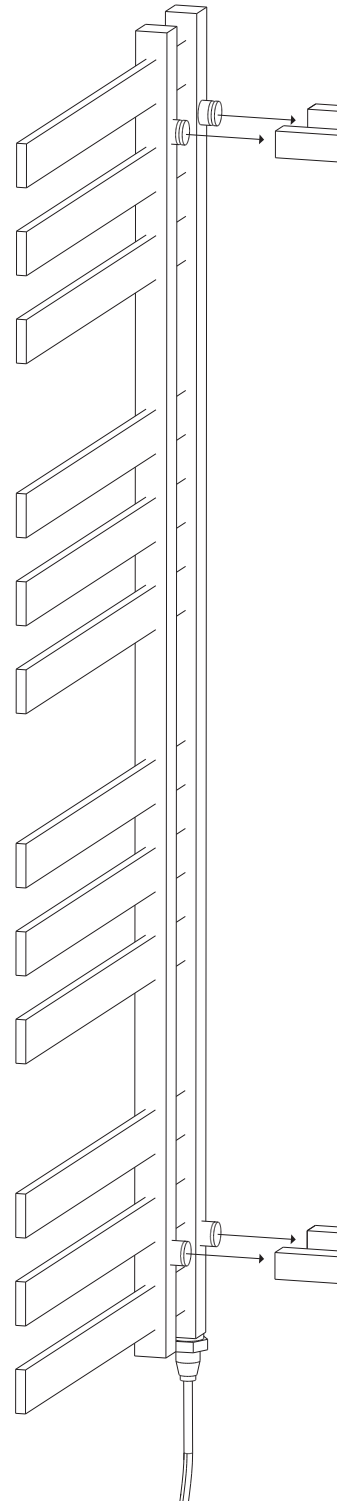
lioni towel warmer,
hardwired

STEP 1

WE RECOMMEND THAT AT LEAST
2 OF THE WALL BRACKETS ARE
SECURED INTO A STUD OR BACKER

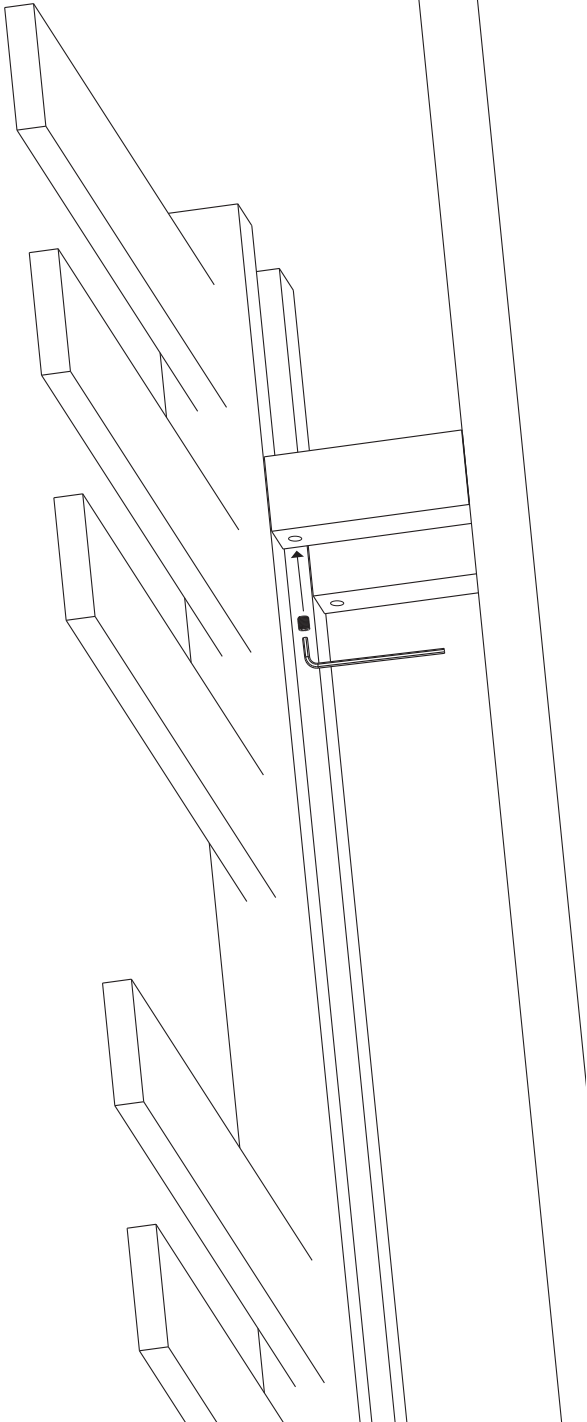


STEP 2

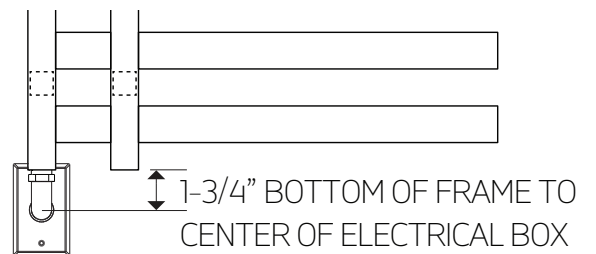
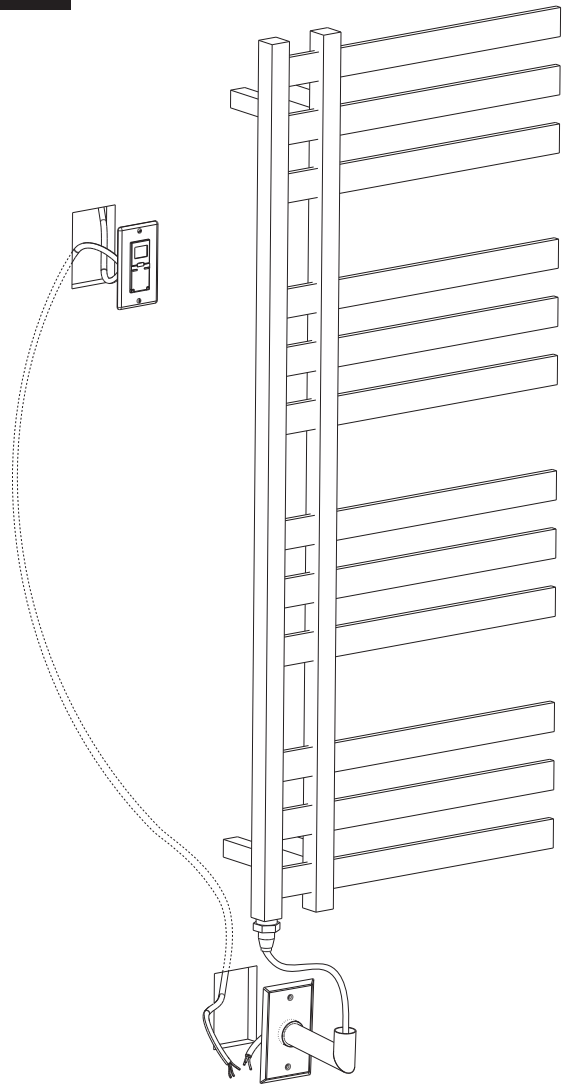


INSTALLATION STEPS

STEP 3 TIGHTEN 4 SET SCREWS,
1 PER BRACKET



STEP 4

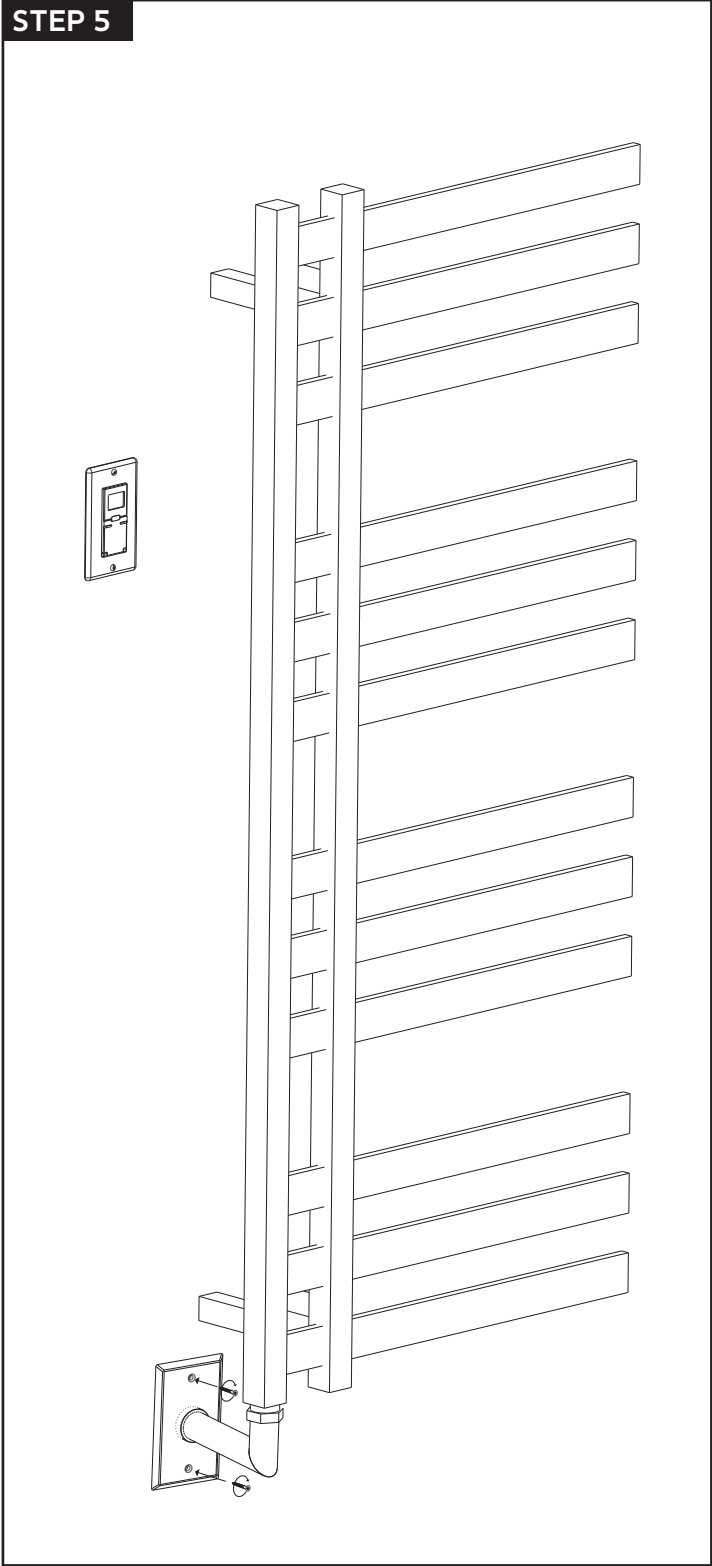


MS12250W

INSTALLATION STEPS

ioni towel warmer,
hardwired

STEP 5

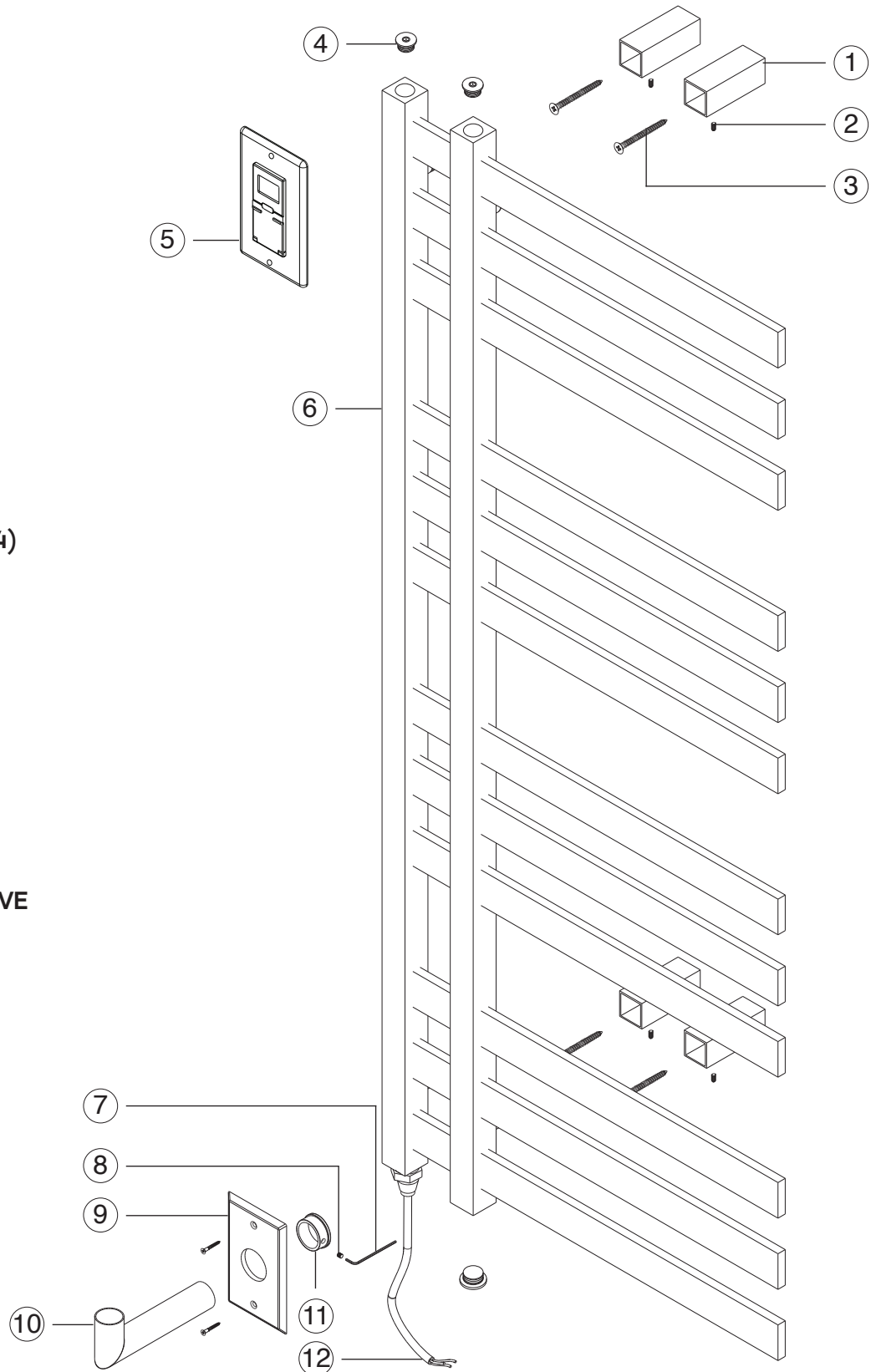


artos[®]

MS12250W

ioni towel warmer,
hardwired

PARTS BREAKDOWN



- ① WALL BRACKET(4)
- ② BRACKET SET SCREW(4)
- ③ BRACKET SCREW(4)
- ④ BLANKING CAP(3)
- ⑤ TIMER
- ⑥ TOWEL WARMER
- ⑦ ALLEN WRENCH
- ⑧ ELBOW SET SCREW
- ⑨ BACKPLATE
- ⑩ ELBOW
- ⑪ ELBOW SECURING SLEEVE
- ⑫ ELEMENT