

artos[®]

MS06950W

INSTALLATION GUIDE

lioni towel warmer,
hardwired

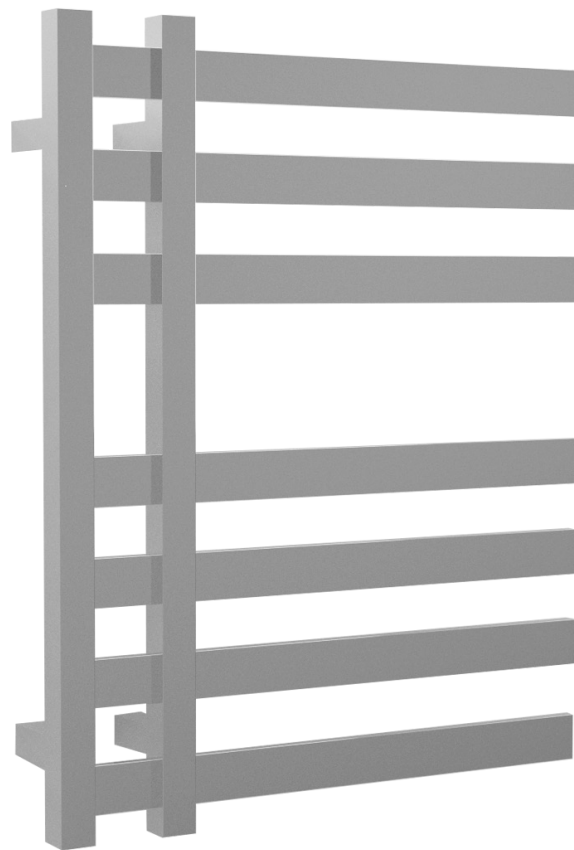
BRUSHED NICKEL(BN)



CHROME(CH)



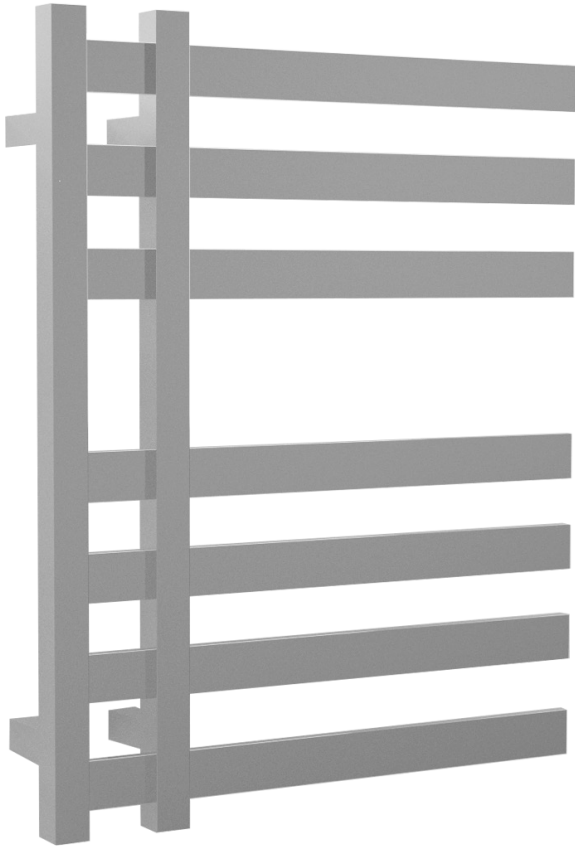
BLACK(BK)



MS06950W

lioni towel warmer,
hardwired

OPERATING SPECIFICATIONS



FEATURES

Towel warming, drying and auxiliary heating.

ELEMENT

300W, 110V

CODES

UL Approved
CSA-US Approved

REQUIREMENTS

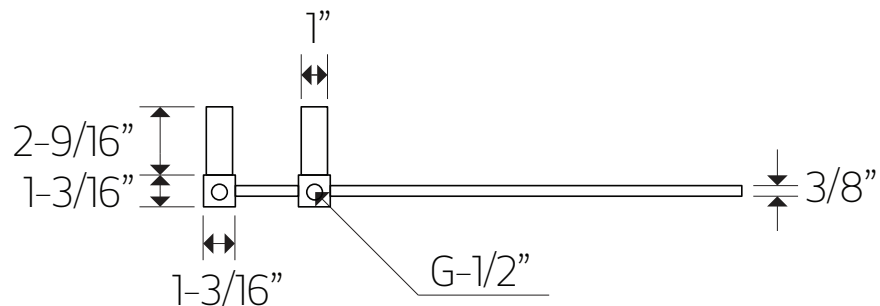
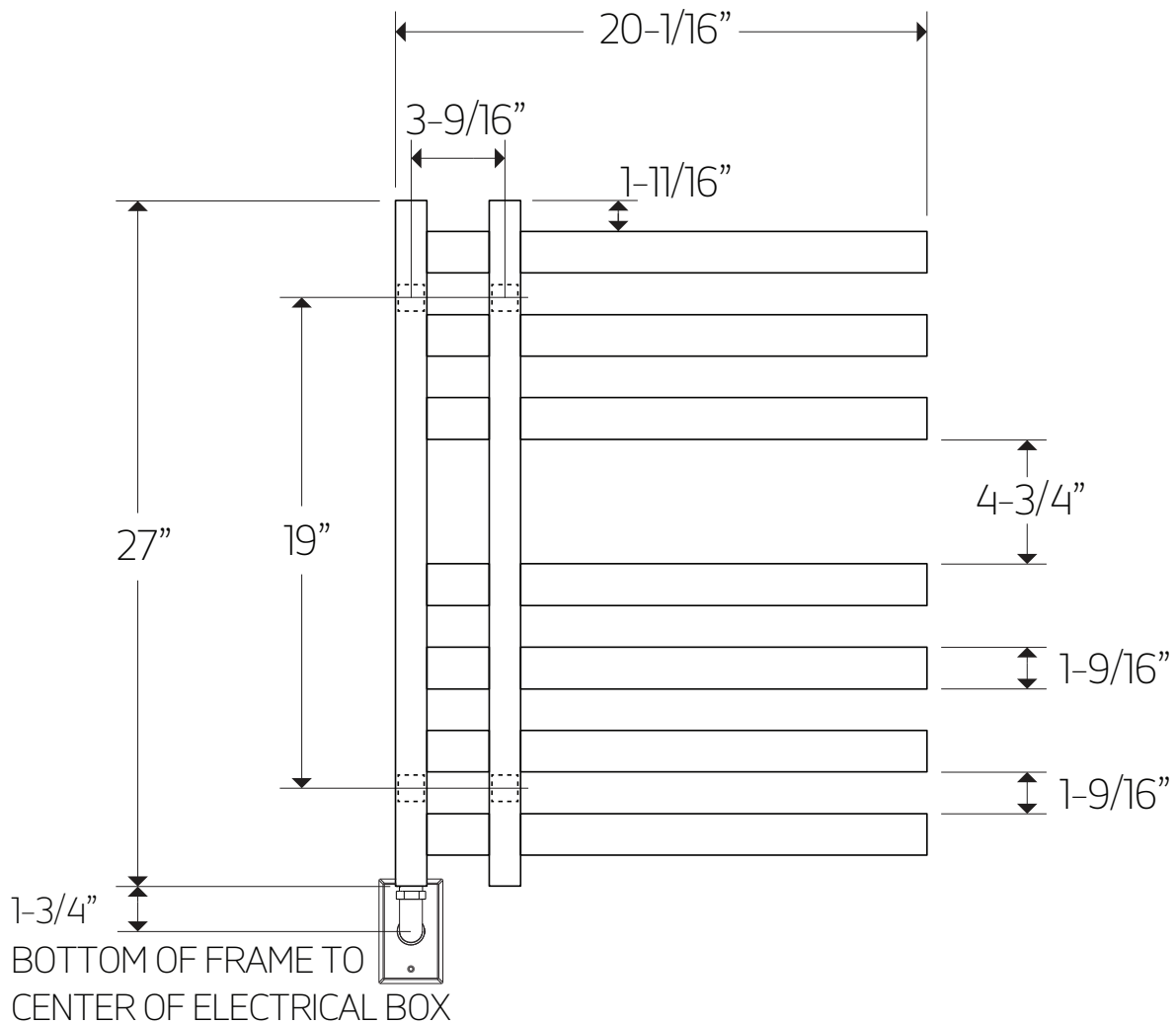
The towel warmer must be installed so that the Element is at the bottom.

artos[®]

MS06950W

PRODUCT DIMENSIONS

lioni towel warmer,
hardwired

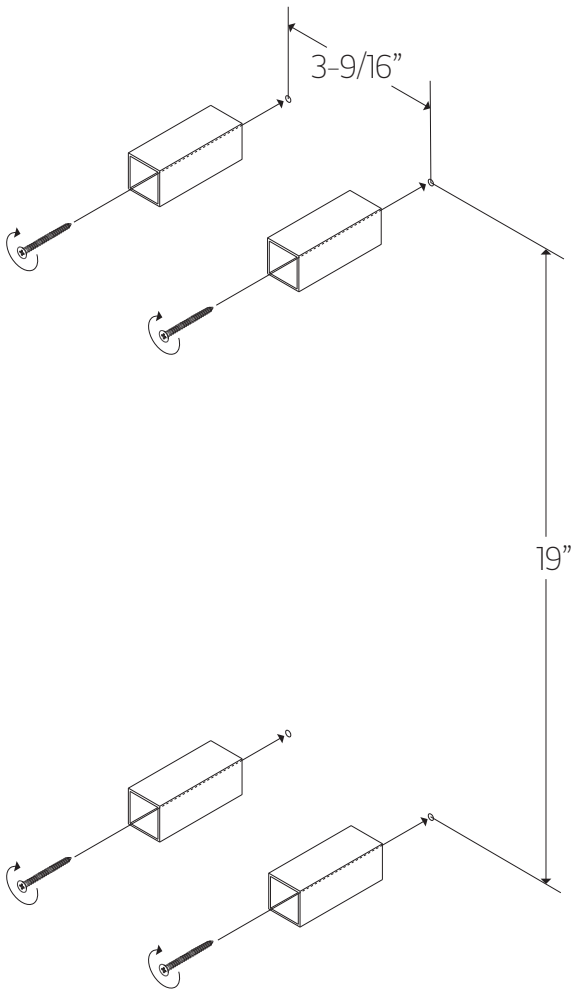


MS06950W

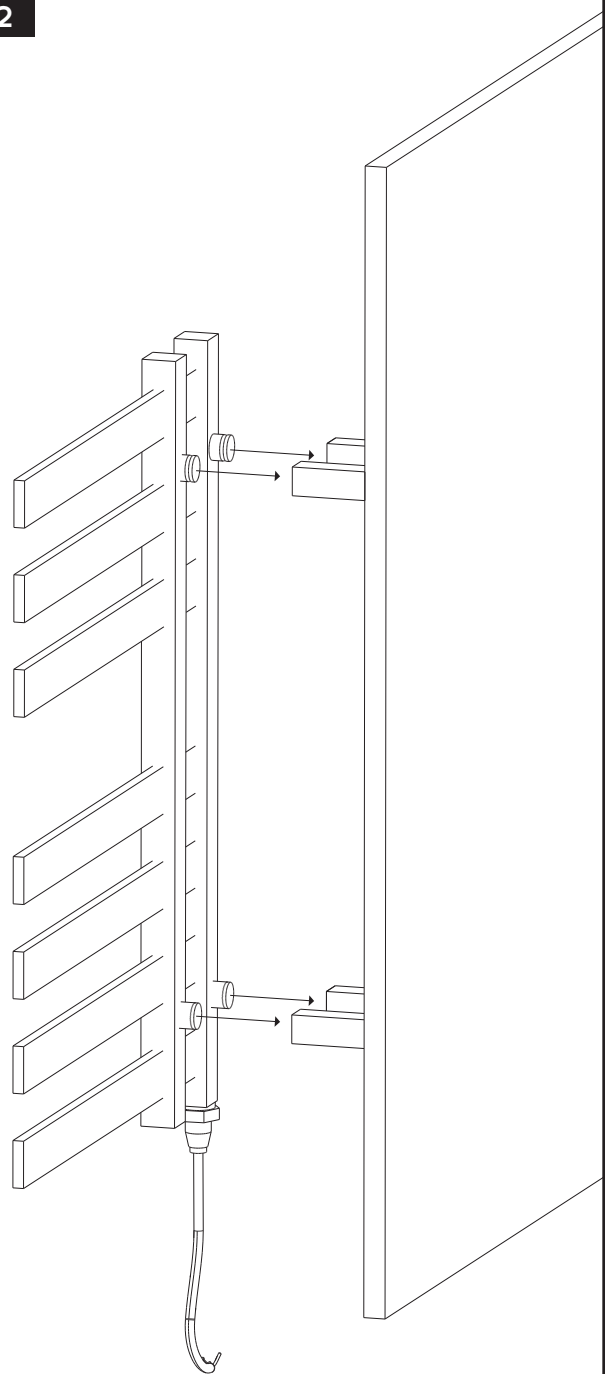
ioni towel warmer,
hardwired

STEP 1

WE RECOMMEND THAT AT LEAST
2 OF THE WALL BRACKETS ARE
SECURED INTO A STUD OR BACKER

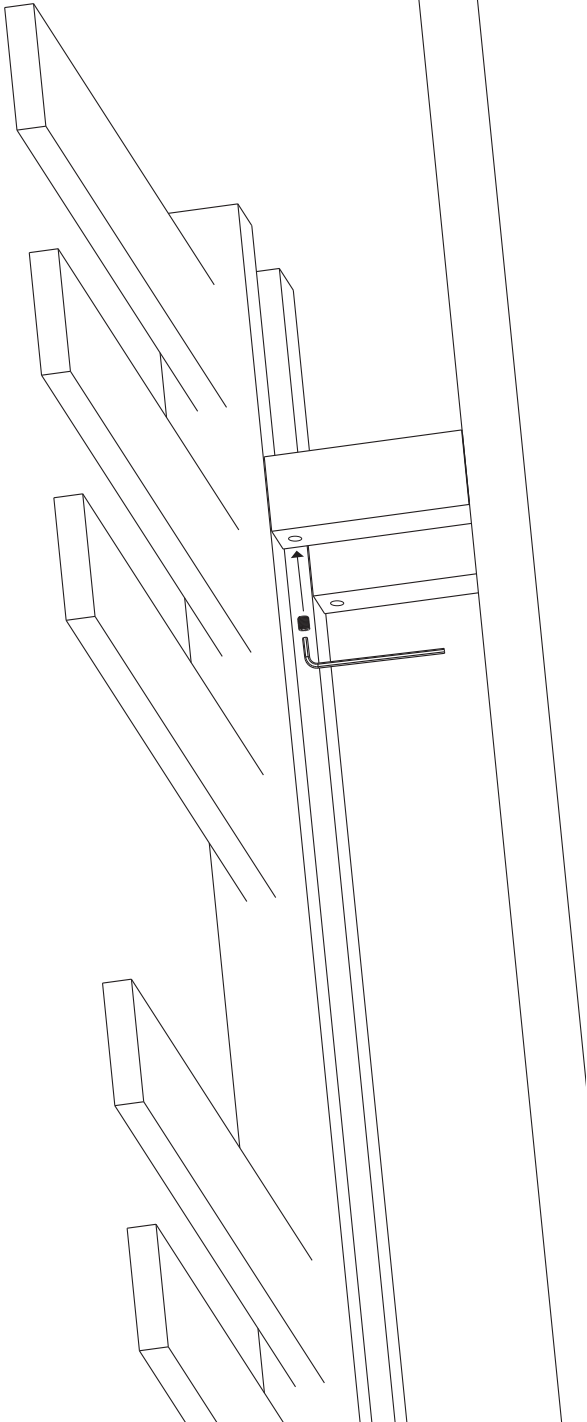


STEP 2

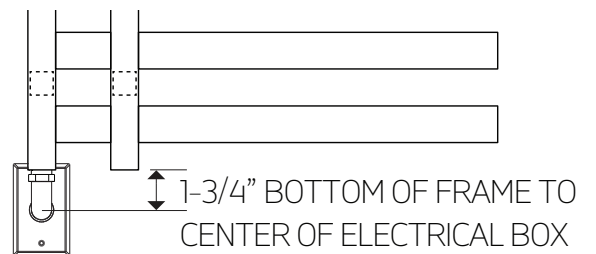
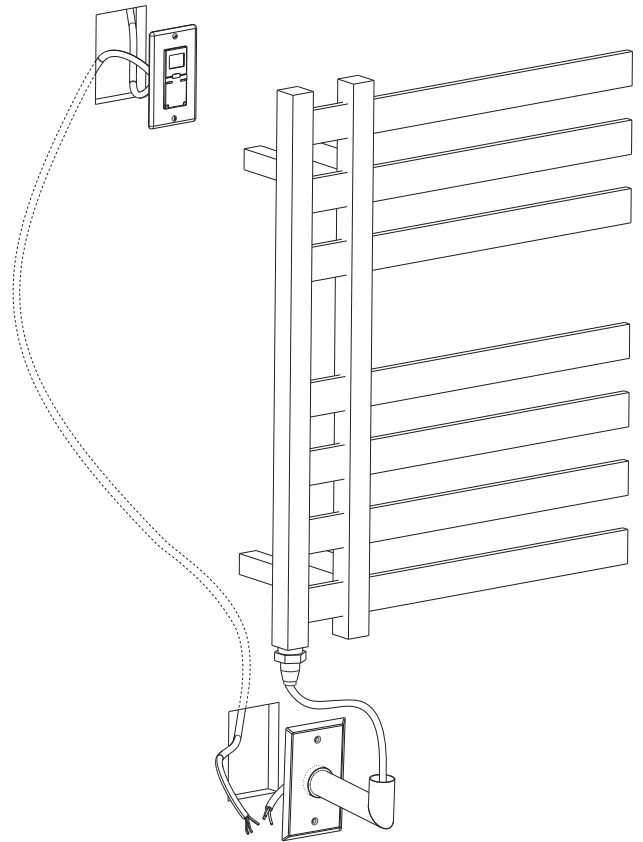


INSTALLATION STEPS

STEP 3 TIGHTEN 4 SET SCREWS,
1 PER BRACKET



STEP 4

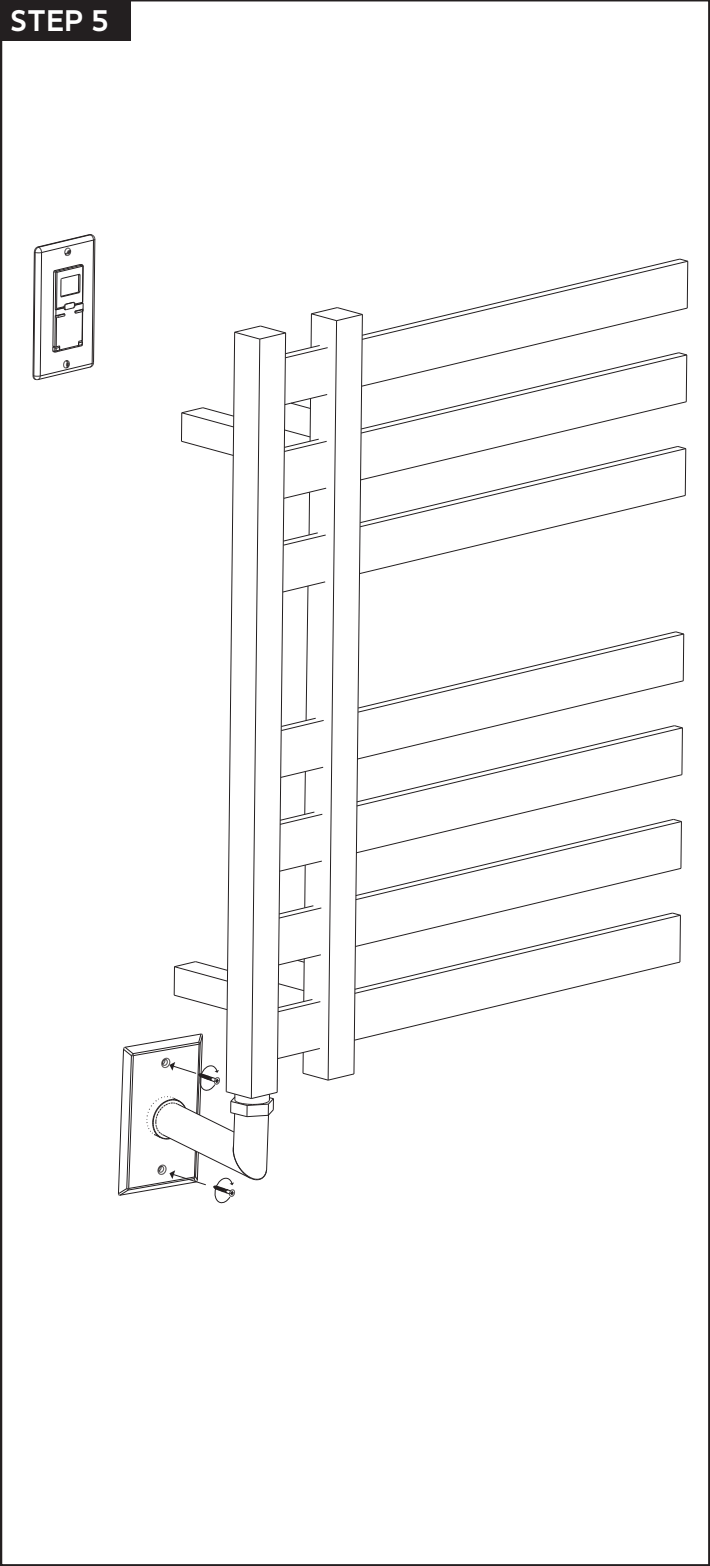


MS06950W

INSTALLATION STEPS

ioni towel warmer,
hardwired

STEP 5

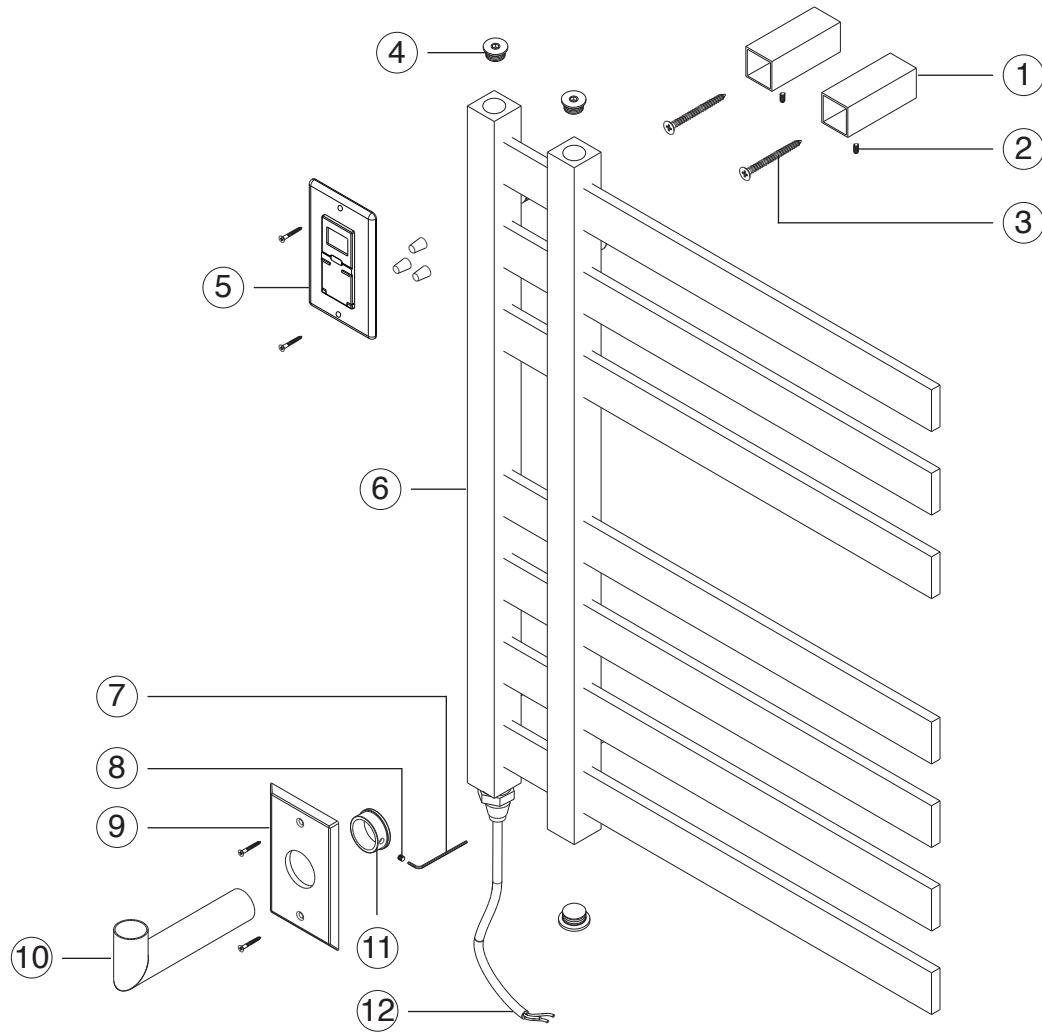


artos[®]

MS06950W

ioni towel warmer,
hardwired

PARTS BREAKDOWN



- ① WALL BRACKET(4)
- ② BRACKET SET SCREW(4)
- ③ BRACKET SCREW(4)
- ④ BLANKING CAP(3)
- ⑤ TIMER
- ⑥ TOWEL WARMER
- ⑦ ALLEN WRENCH
- ⑧ ELBOW SET SCREW
- ⑨ ELBOW SECURING SLEEVE
- ⑩ BACKPLATE
- ⑪ ELBOW
- ⑫ ELEMENT