

MS06950P

INSTALLATION GUIDE

lioni towel warmer,
plug-in

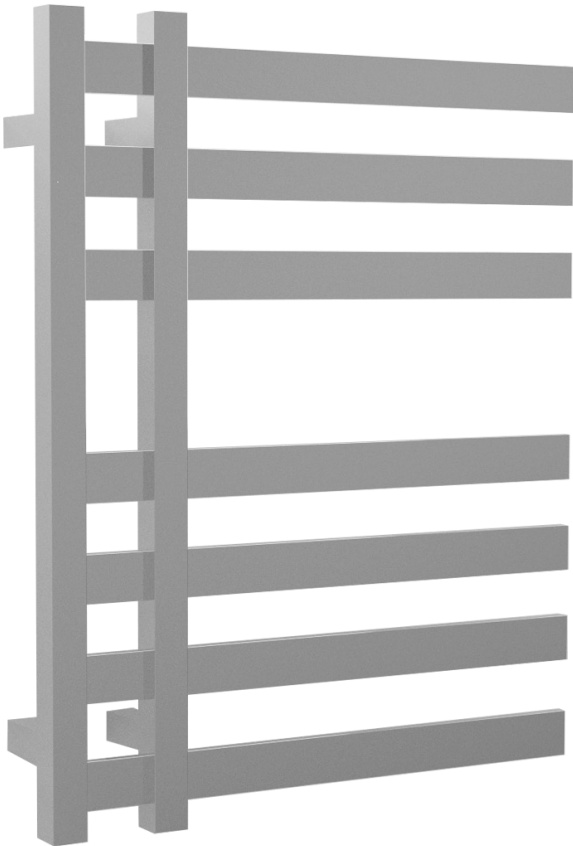
BRUSHED NICKEL(BN)



CHROME(CH)



BLACK(BK)

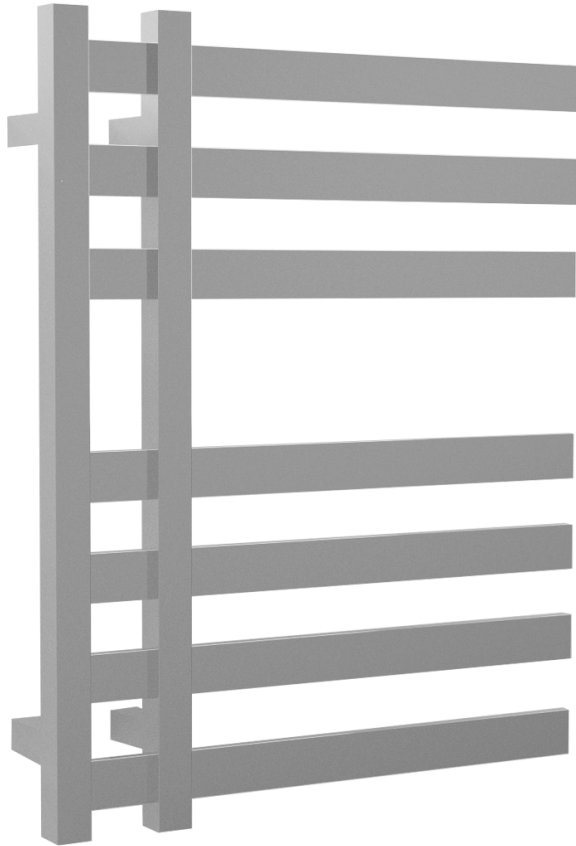


artos[®]

MS06950P

OPERATING SPECIFICATIONS

lioni towel warmer,
plug-in



FEATURES

Towel warming, drying and auxiliary heating.

ELEMENT

300W, 110V

CODES

UL Approved
CSA-US Approved

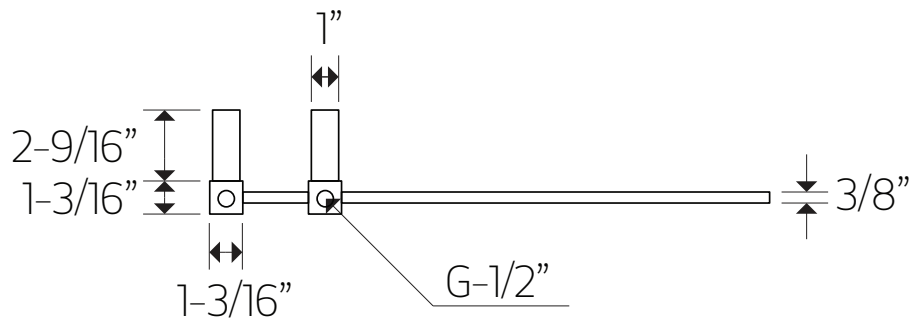
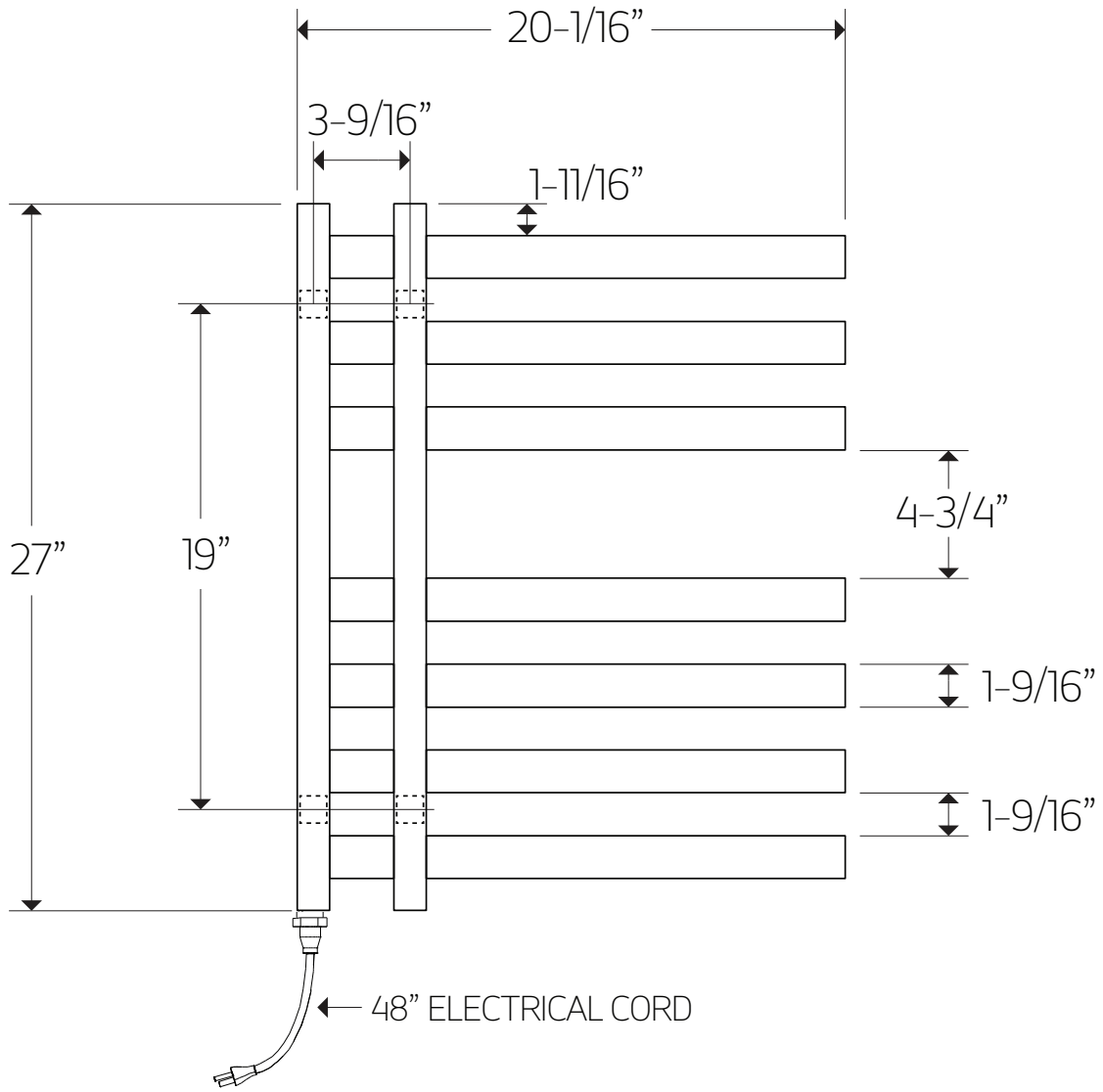
REQUIREMENTS

The towel warmer must be installed so that the Element is at the bottom.

MS06950P

PRODUCT DIMENSIONS

ioni towel warmer,
plug-in



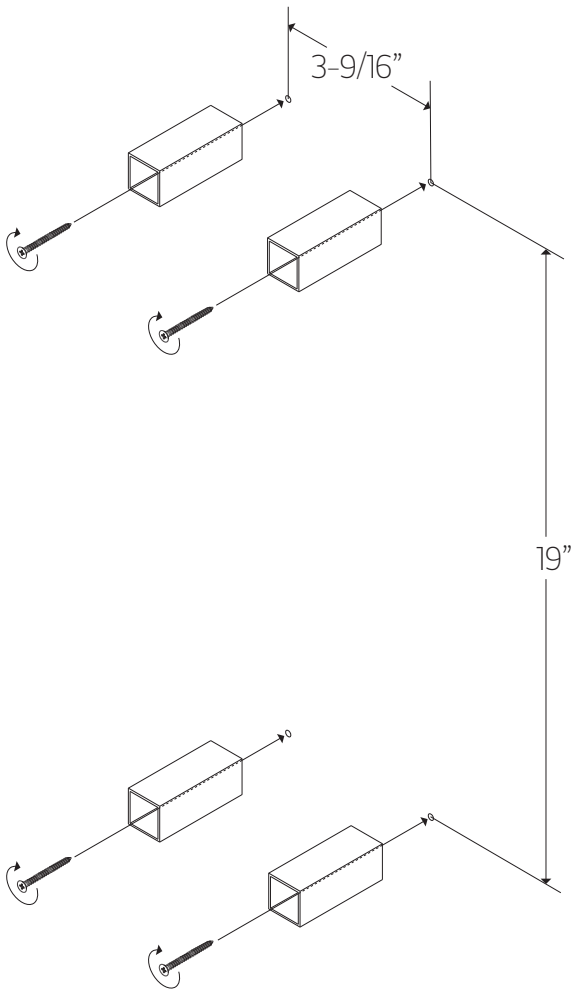
artos[®]

MS06950P

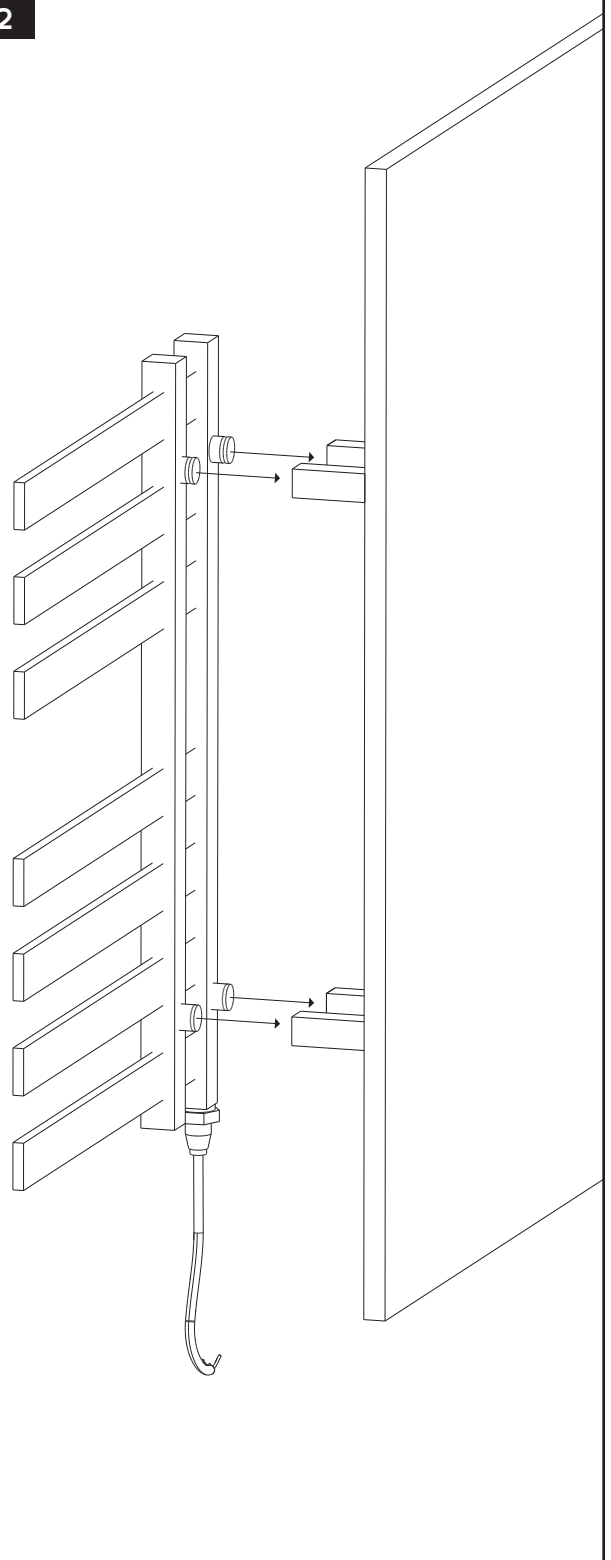
ioni towel warmer,
plug-in

STEP 1

WE RECOMMEND THAT AT LEAST
2 OF THE WALL BRACKETS ARE
SECURED INTO A STUD OR BACKER

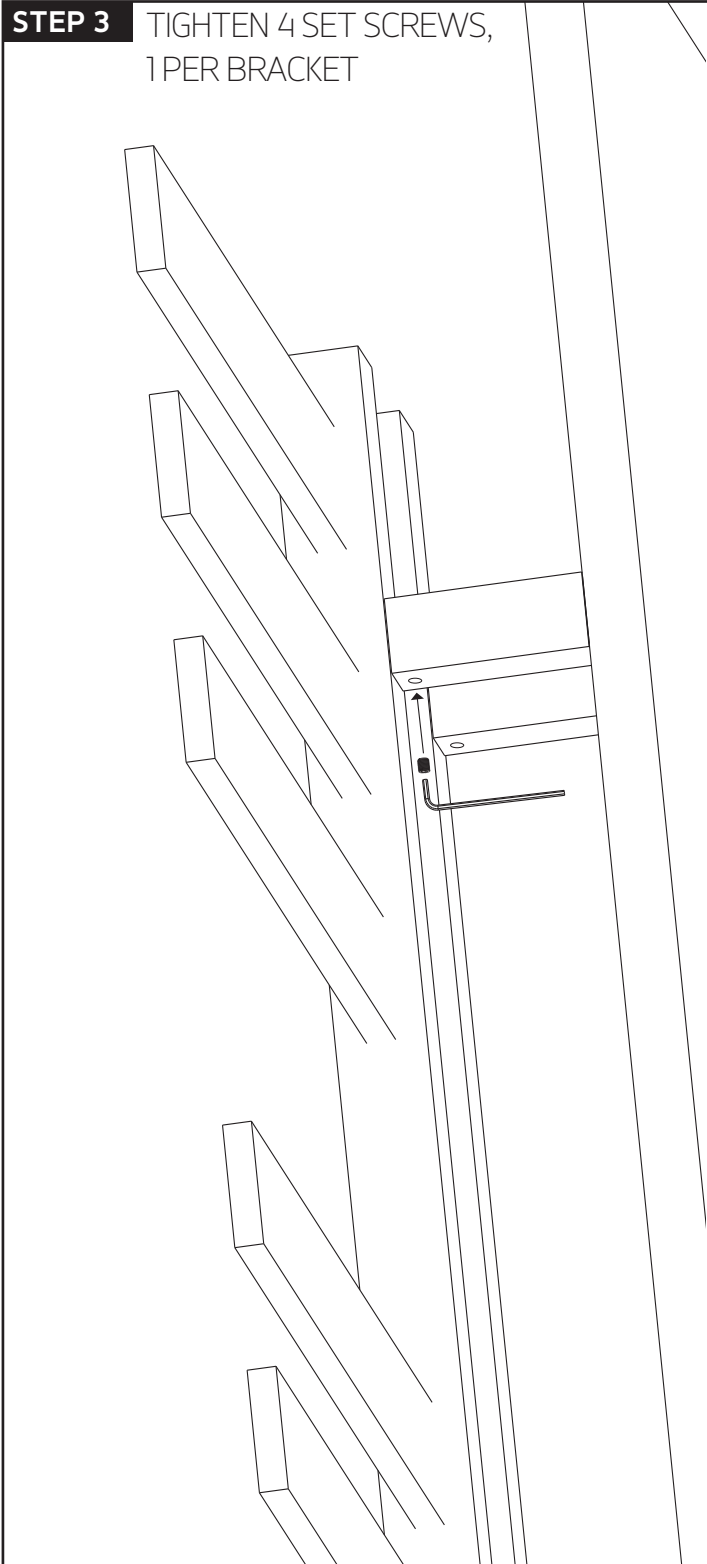


STEP 2



INSTALLATION STEPS

STEP 3 TIGHTEN 4 SET SCREWS,
1 PER BRACKET

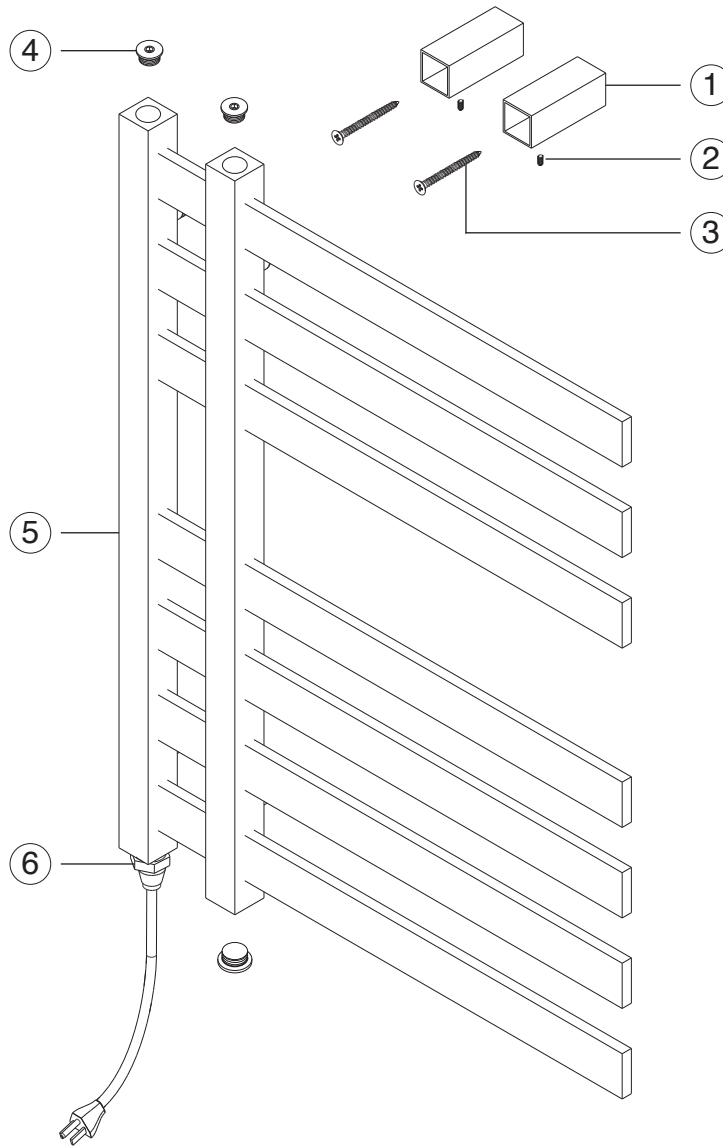


artos[®]

MS06950P

ioni towel warmer,
plug-in

PARTS BREAKDOWN



- ① WALL BRACKET(4)
- ② BRACKET SET SCREW(4)
- ③ BRACKET SCREW(4)
- ④ BLANKING CAP(3)
- ⑤ TOWEL WARMER
- ⑥ ELEMENT