

# artos<sup>®</sup>

## MR12060W

## INSTALLATION GUIDE

ryton towel warmer,  
hardwired

BLACK(BK)



CHROME(CH)



POLISHED NICKEL(PN)



MR12060W

ryton towel warmer,  
hardwired

## OPERATING SPECIFICATIONS



### FEATURES

Towel warming, drying and auxiliary heating.

### ELEMENT

300W, 110V

### CODES

UL Approved  
CSA-US Approved

### REQUIREMENTS

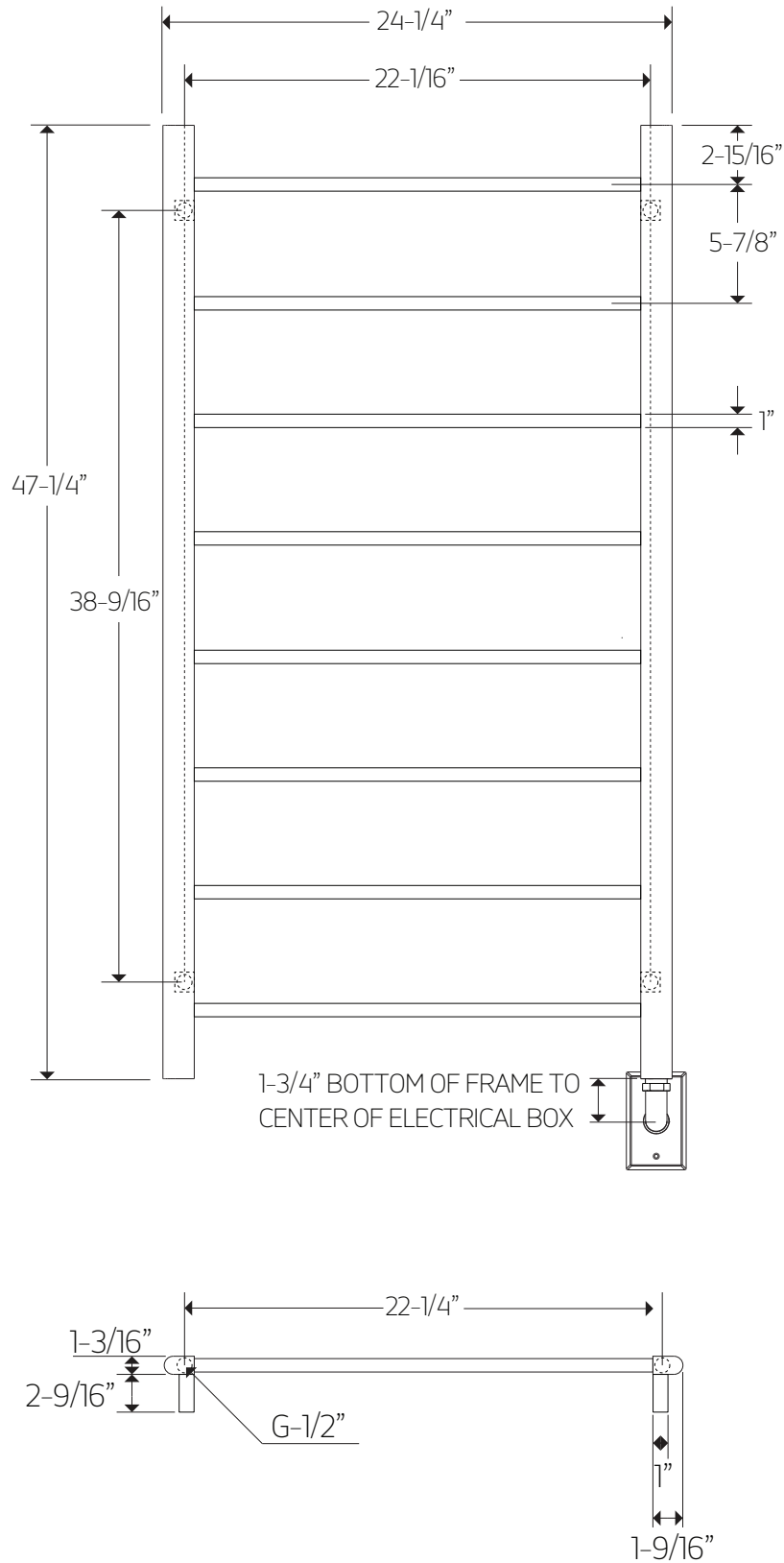
The towel warmer must be installed so that the Element is at the bottom.

# artos<sup>®</sup>

## MR12060W

## PRODUCT DIMENSIONS

ryton towel warmer,  
hardwired

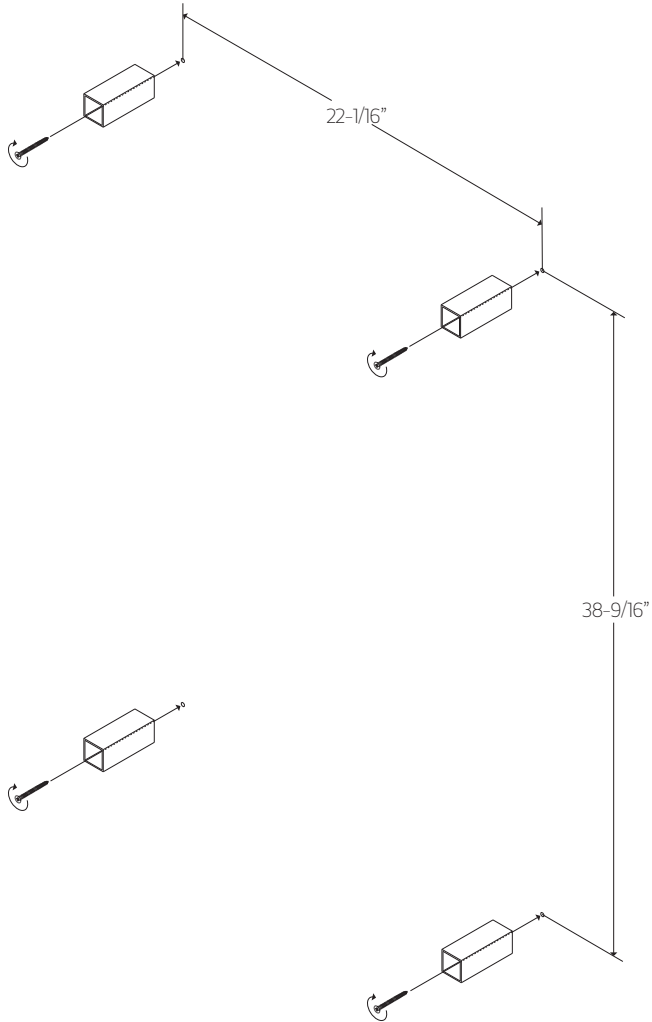


# MR12060W

ryton towel warmer,  
hardwired

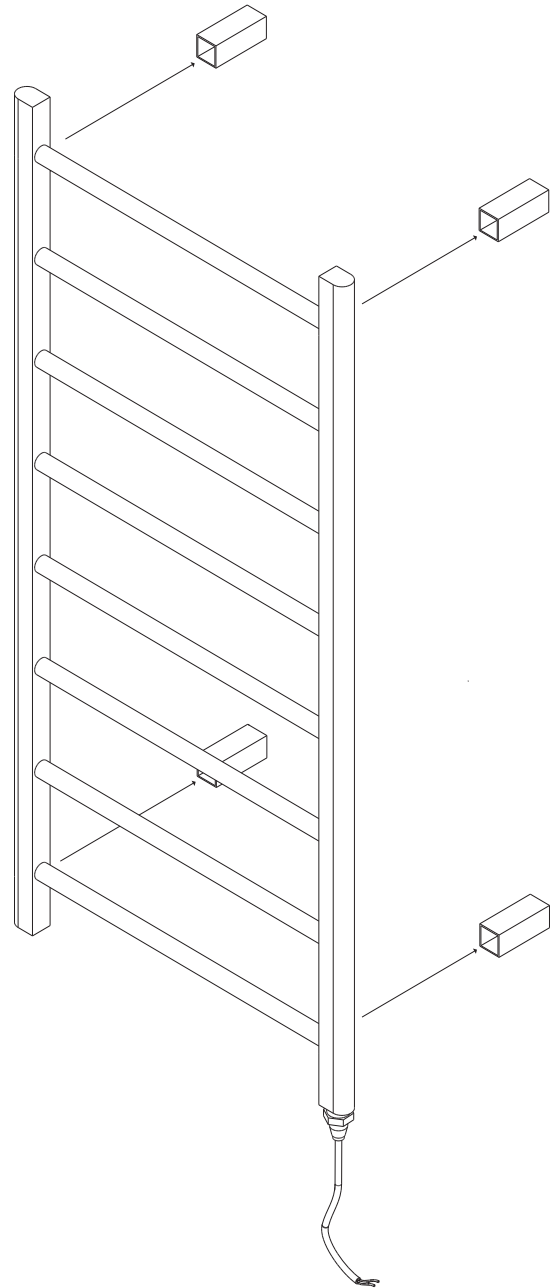
## STEP 1

\*ALL DIMENSIONS ARE APPROXIMATE FOR  
BLOCKING PURPOSES. PLEASE MEASURE UNIT



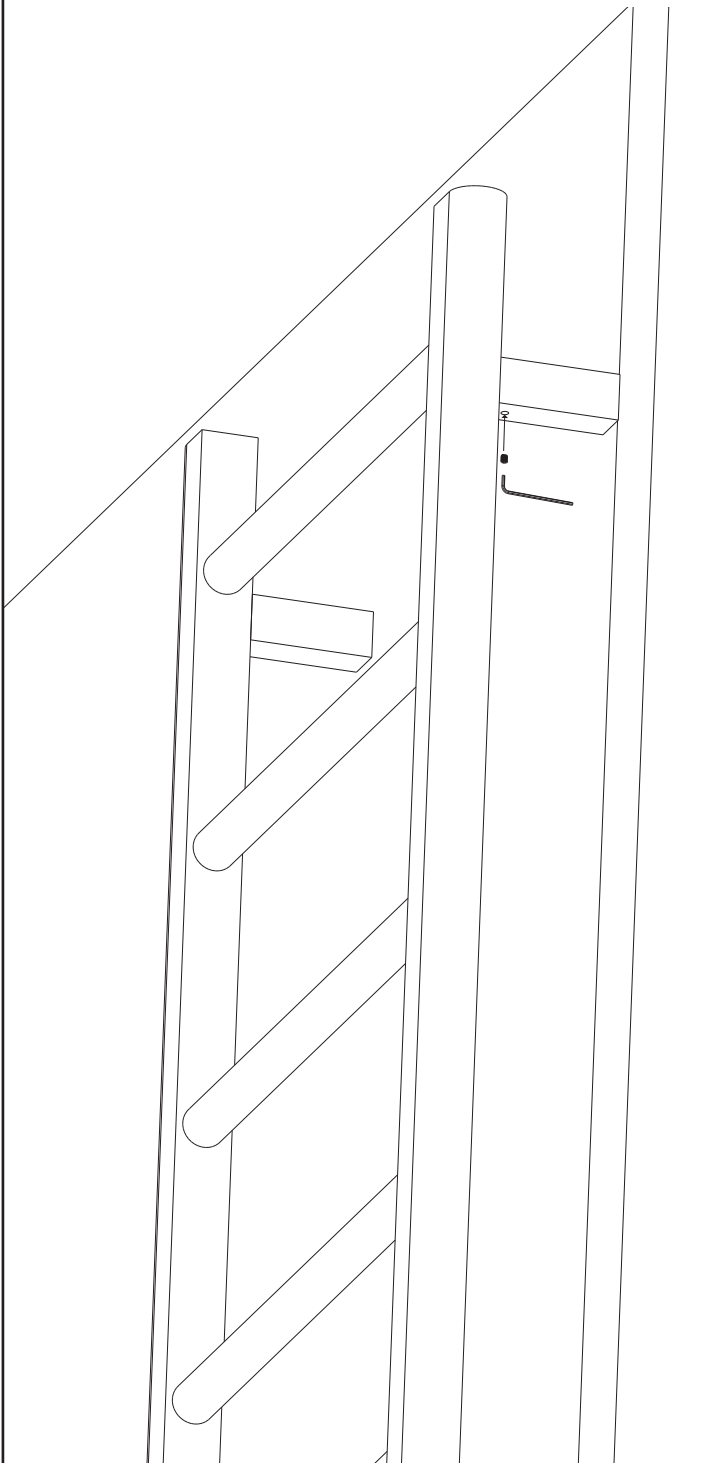
WE RECOMMEND THAT AT LEAST  
2 OF THE WALL BRACKETS ARE  
SECURED INTO A STUD OR BACKER

## STEP 2



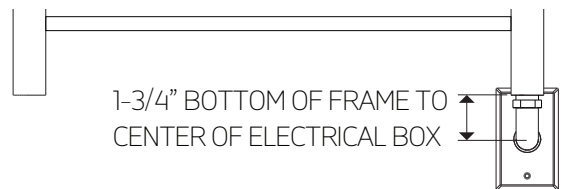
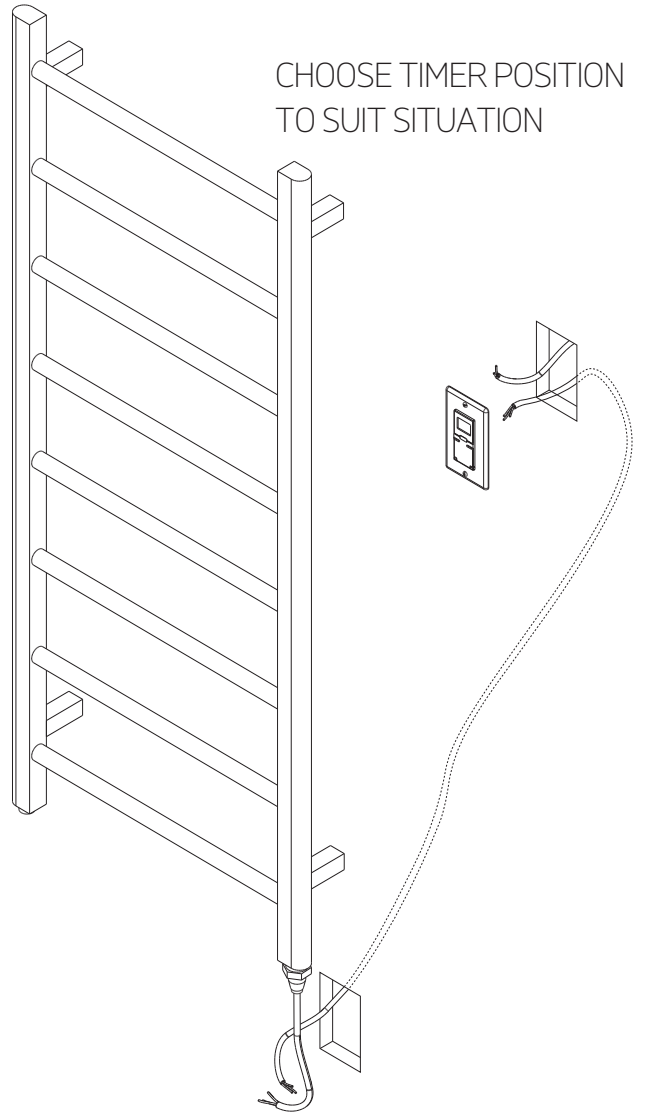
# INSTALLATION STEPS

**STEP 3** TOTAL OF 4 SET SCREWS,  
1 PER BRACKET



**STEP 4**

CHOOSE TIMER POSITION  
TO SUIT SITUATION



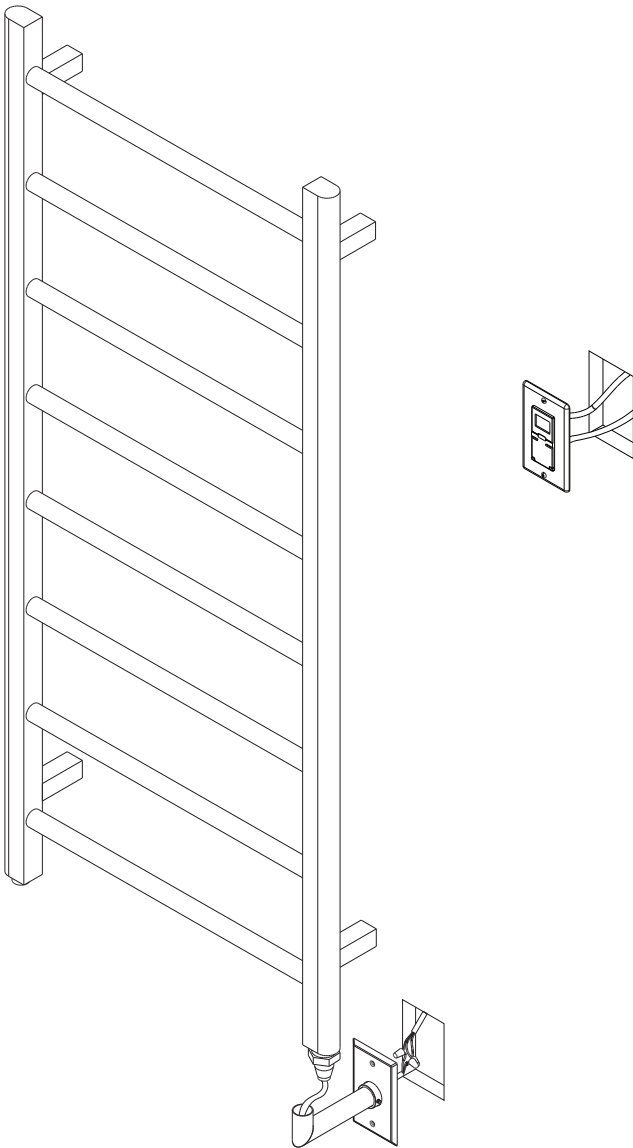
1-3/4" BOTTOM OF FRAME TO  
CENTER OF ELECTRICAL BOX

# MR12060W

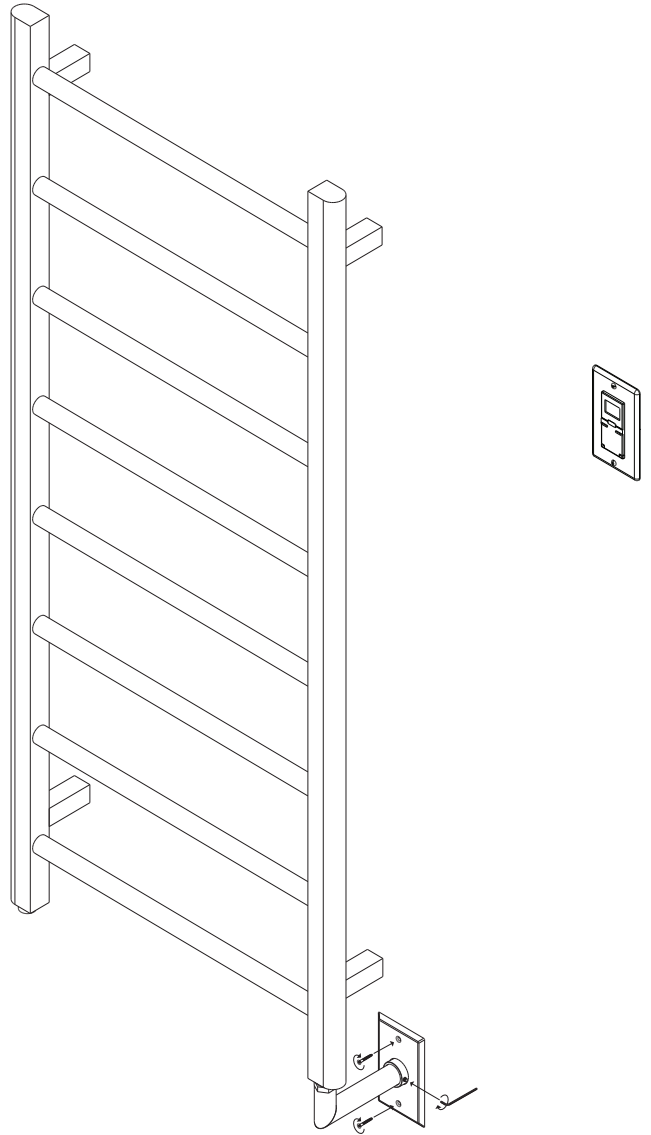
# INSTALLATION STEPS

ryton towel warmer,  
hardwired

## STEP 5



## STEP 6



ryton towel warmer,  
hardwired

