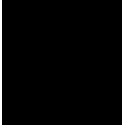


MR12060P

INSTALLATION GUIDE

ryton towel warmer,
plug-in

BLACK(BK)



CHROME(CH)



POLISHED NICKEL(PN)



artos[®]

MR12060P

ryton towel warmer,
plug-in

OPERATING SPECIFICATIONS



FEATURES

Towel warming, drying and auxiliary heating.

ELEMENT

300W, 110V

CODES

UL Approved
CSA-US Approved

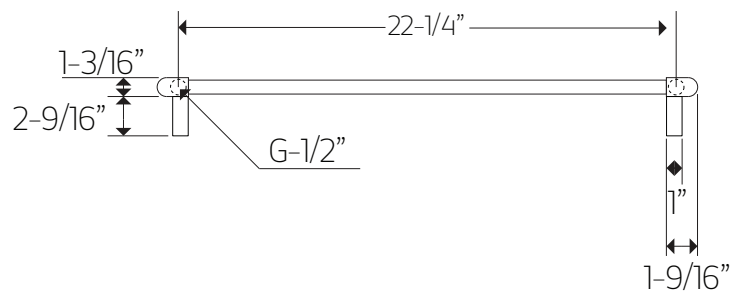
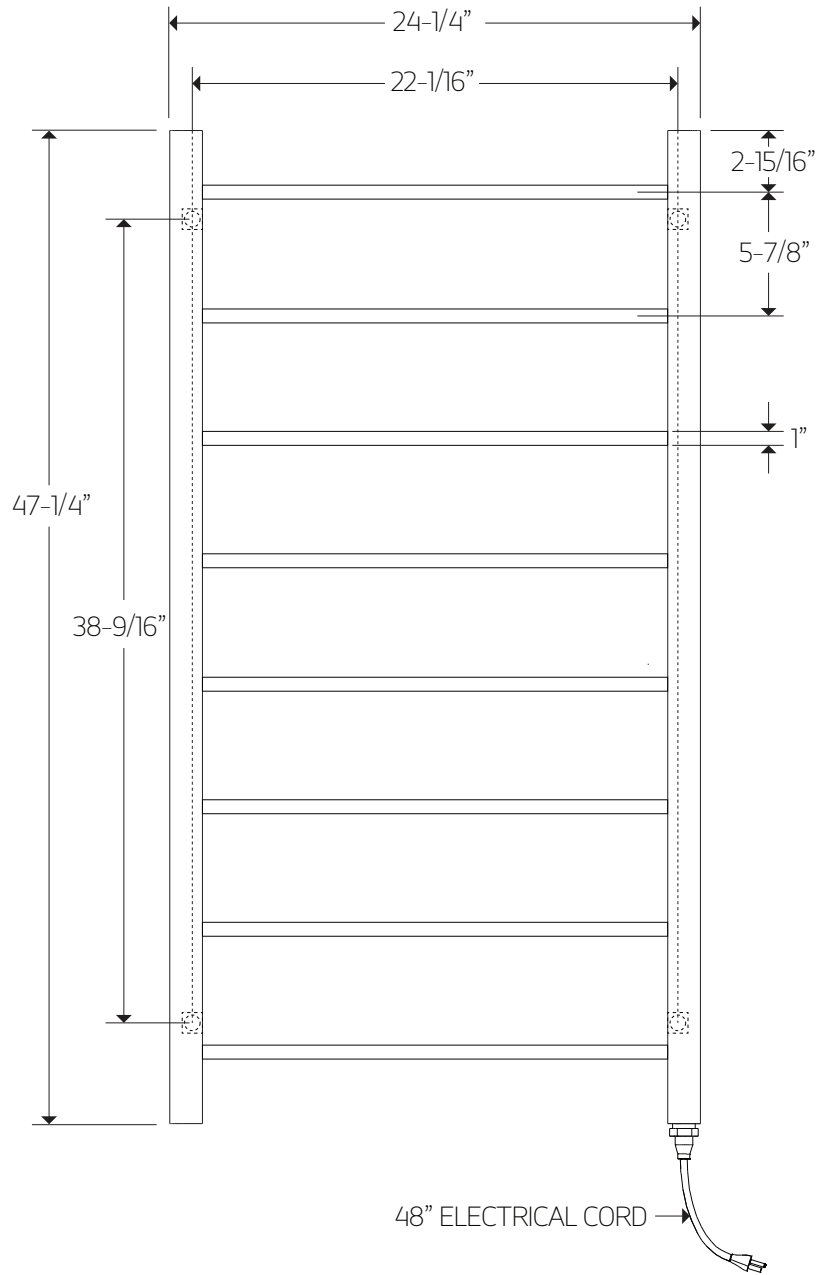
REQUIREMENTS

The towel warmer must be installed so that the Element is at the bottom.

MR12060P

ryton towel warmer,
plug-in

PRODUCT DIMENSIONS



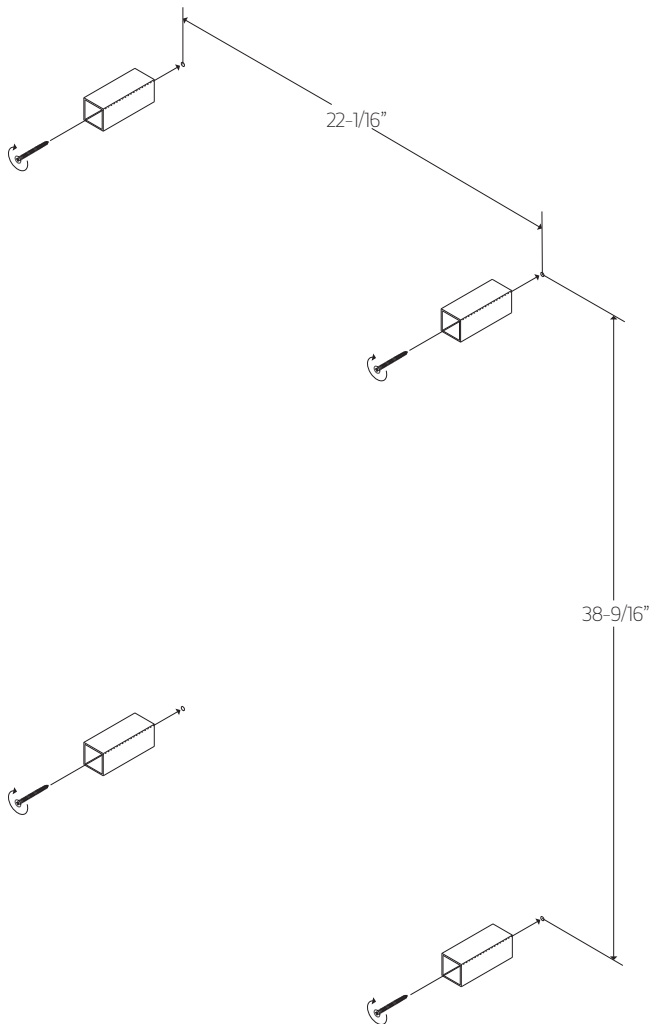
artos[®]

MR12060P

ryton towel warmer,
plug-in

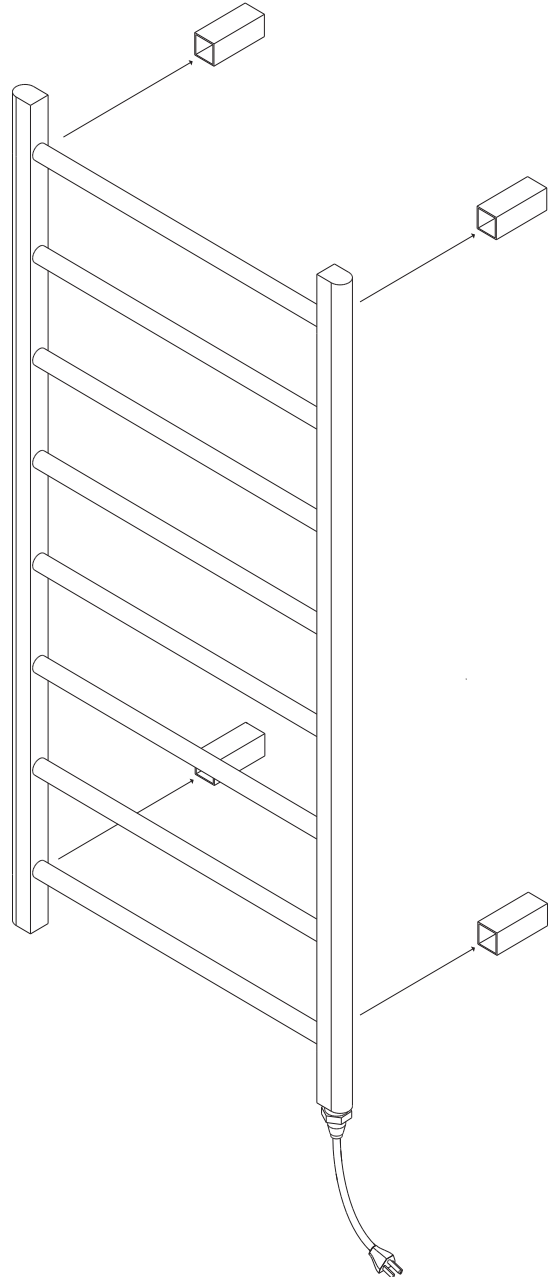
STEP 1

*ALL DIMENSIONS ARE APPROXIMATE FOR
BLOCKING PURPOSES. PLEASE MEASURE UNIT



WE RECOMMEND THAT AT LEAST
2 OF THE WALL BRACKETS ARE
SECURED INTO A STUD OR BACKER

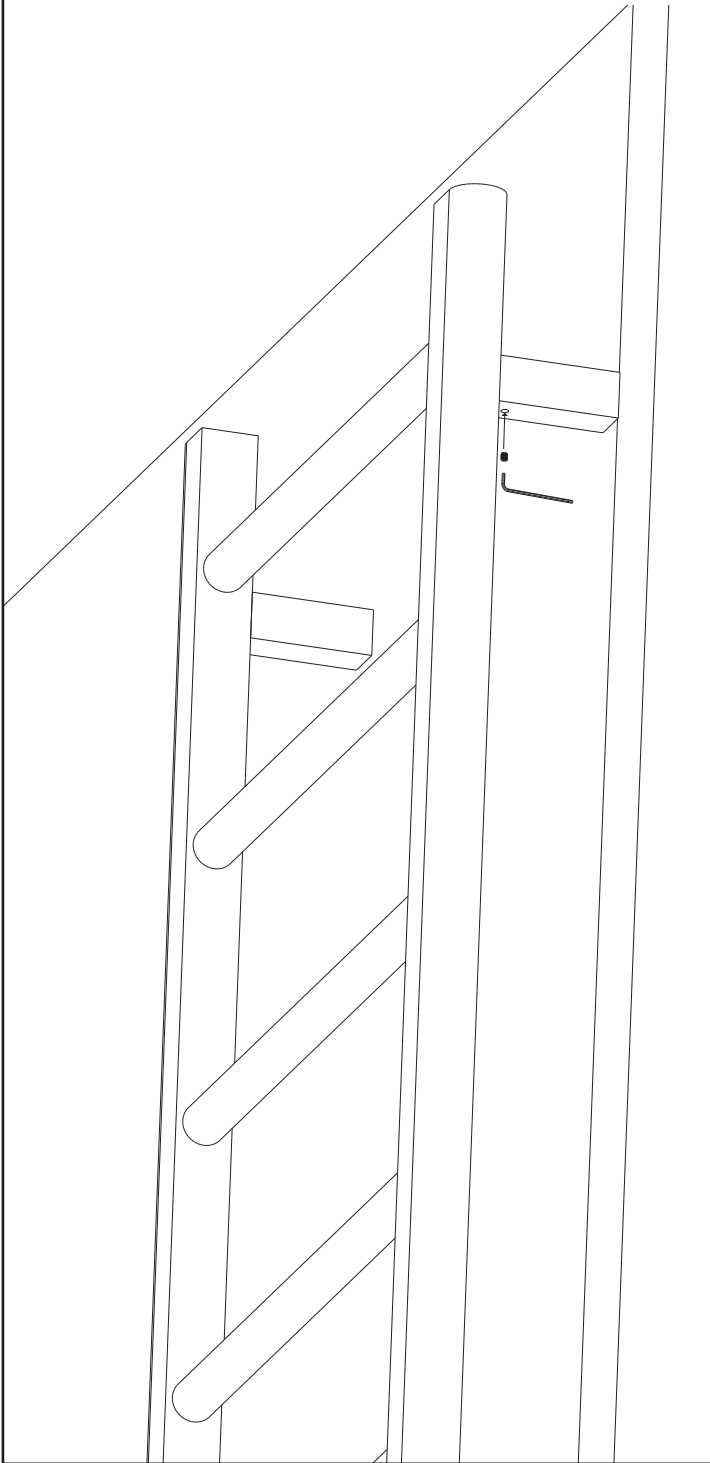
STEP 2



INSTALLATION STEPS

STEP 3

TOTAL OF 4 SET SCREWS,
1 PER BRACKET

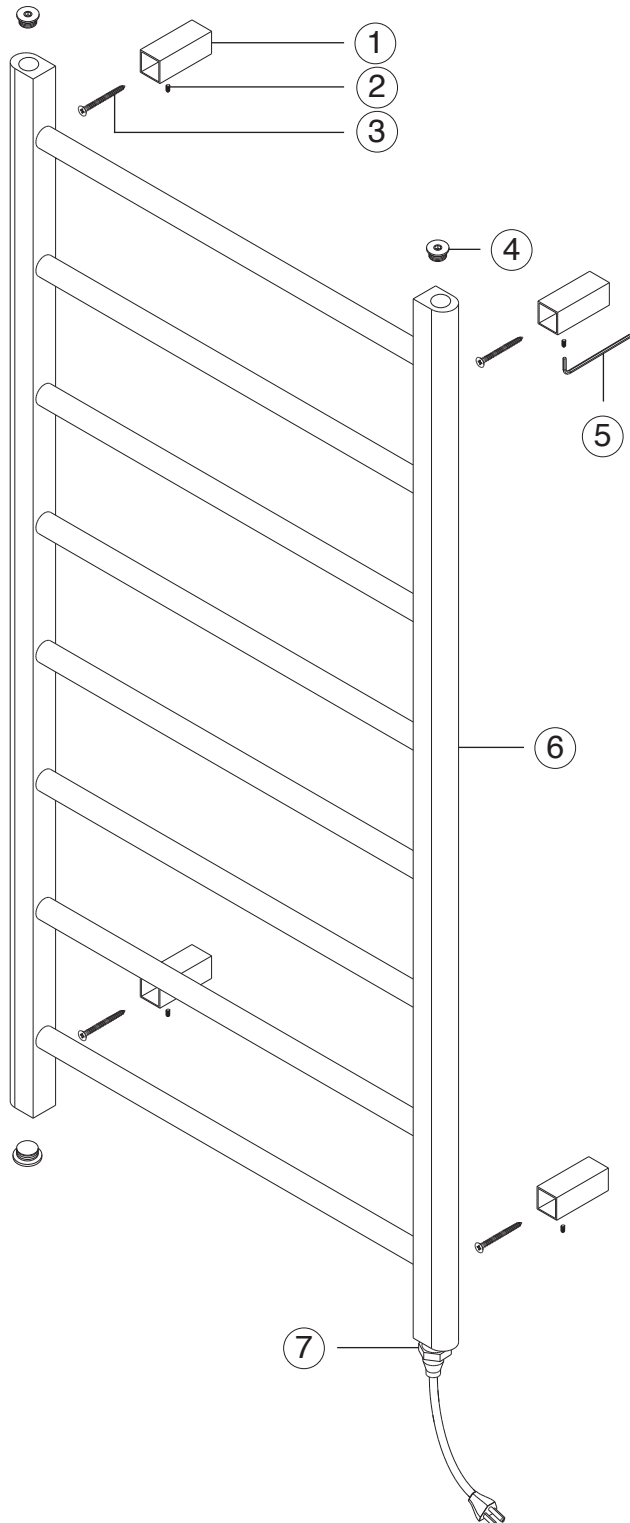


artos[®]

MR12060P

PARTS BREAKDOWN

ryton towel warmer,
plug-in



- ① WALL BRACKET(4)
- ② WALL BRACKET SET SCREW(4)
- ③ WALL BRACKET SCREW(4)
- ④ BLANKING CAP(3)
- ⑤ ALLEN WRENCH
- ⑥ TOWEL WARMER
- ⑦ ELEMENT