

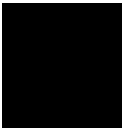
artos[®]

MR12045W

INSTALLATION GUIDE

ryton towel warmer,
hardwired

BLACK(BK)



CHROME(CH)



POLISHED NICKEL(PN)



MR12045W

ryton towel warmer,
hardwired

OPERATING SPECIFICATIONS



FEATURES

Towel warming, drying and auxiliary heating.

ELEMENT

300W, 110V

CODES

UL Approved
CSA-US Approved

REQUIREMENTS

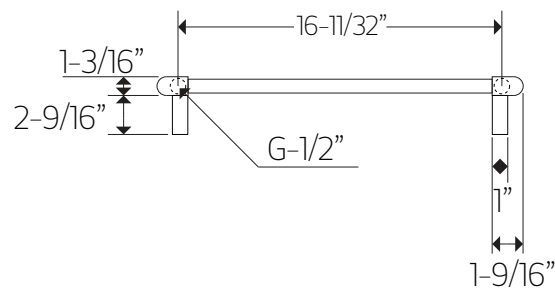
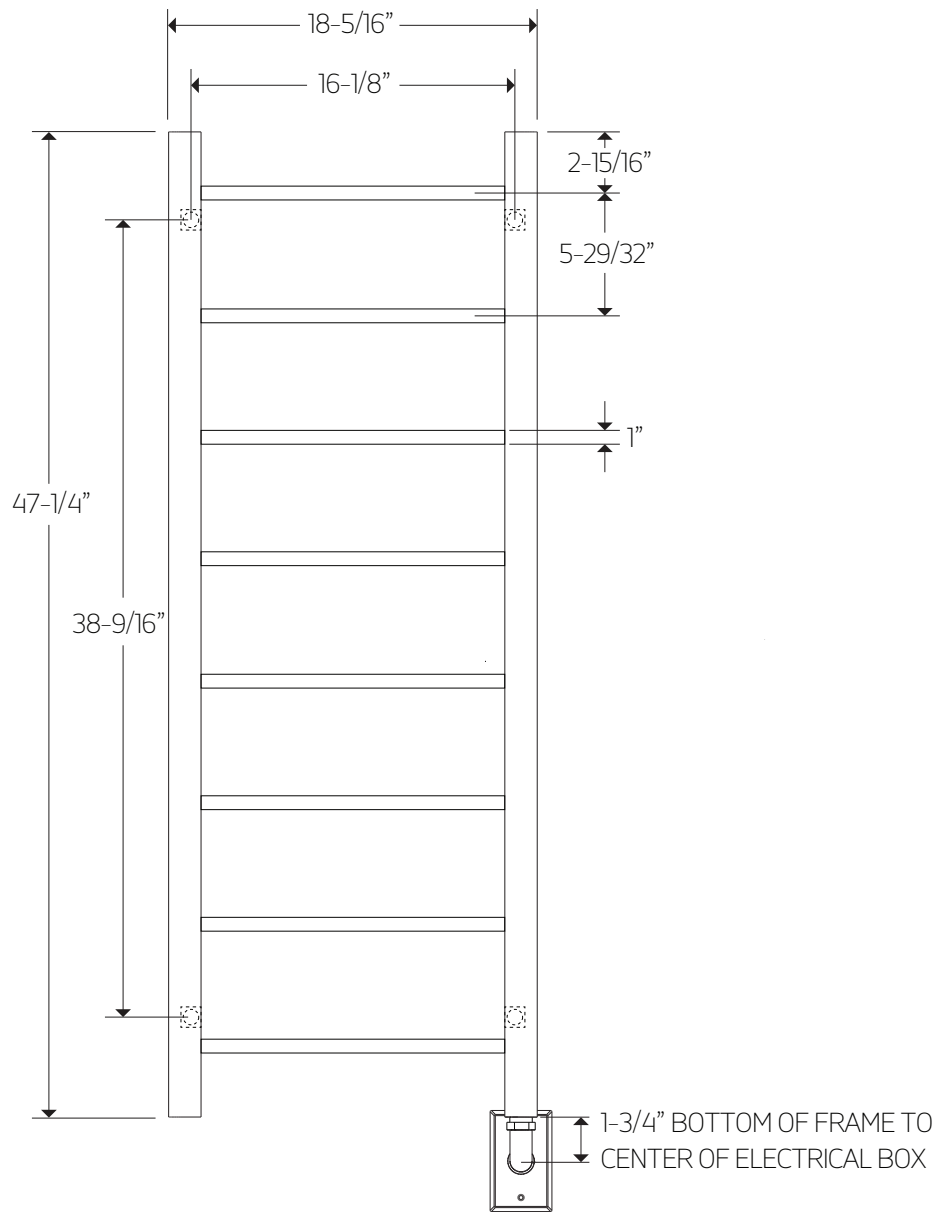
The towel warmer must be installed so that the Element is at the bottom.

artos[®]

MR12045W

PRODUCT DIMENSIONS

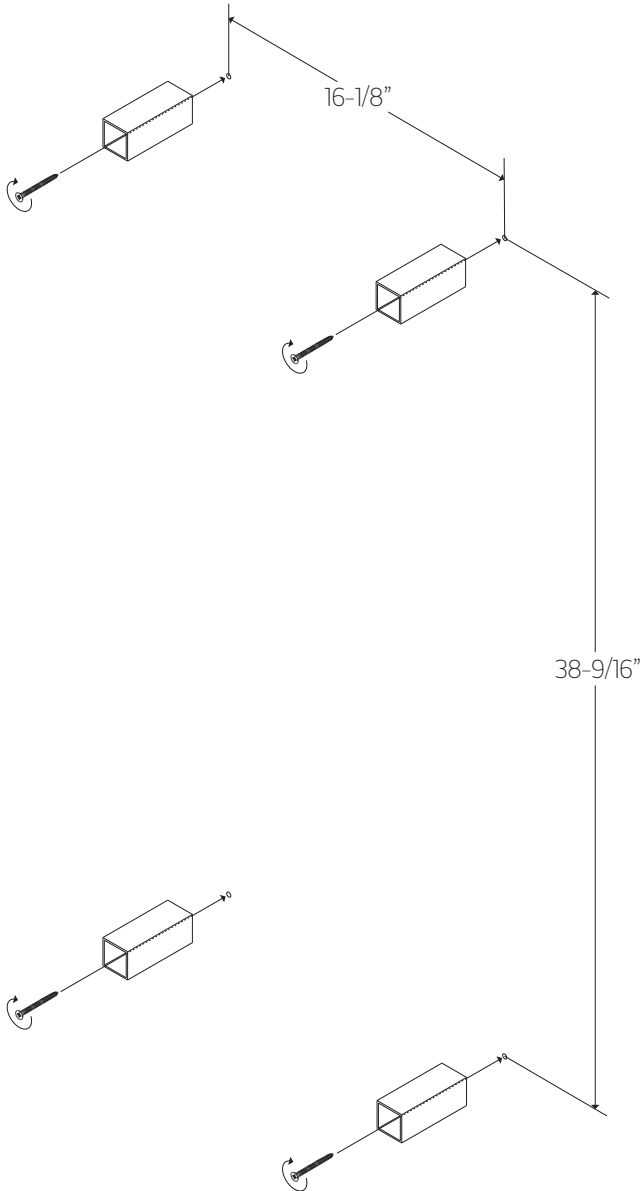
ryton towel warmer,
hardwired



MR12045W

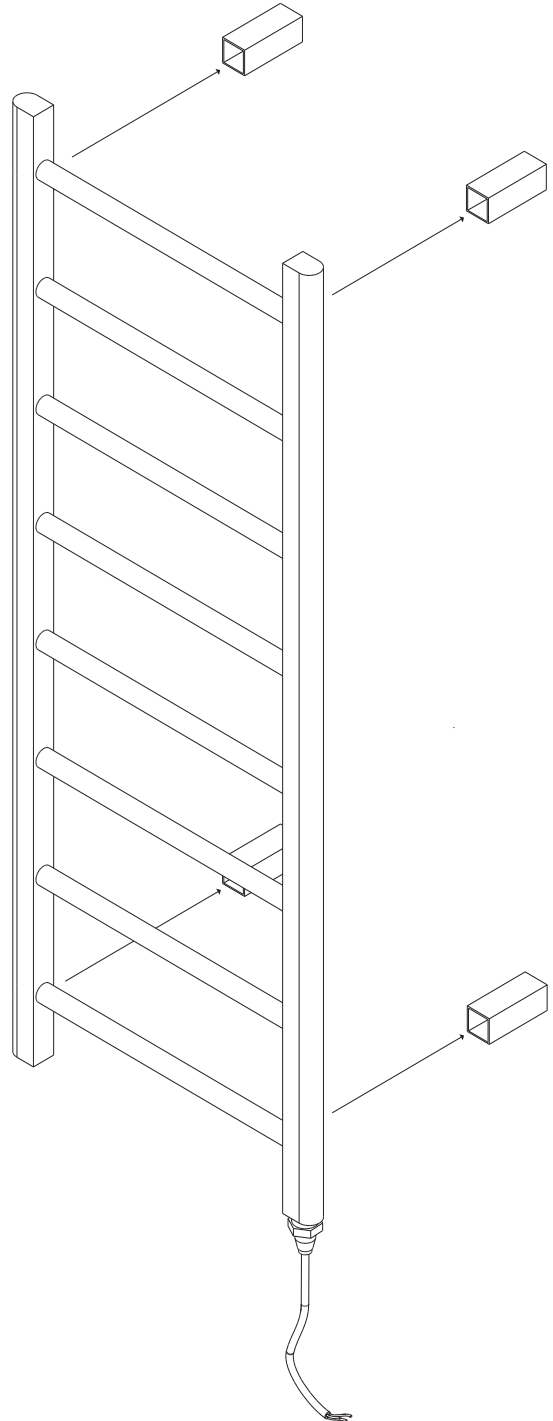
ryton towel warmer,
hardwired

STEP 1 *ALL DIMENSIONS ARE APPROXIMATE



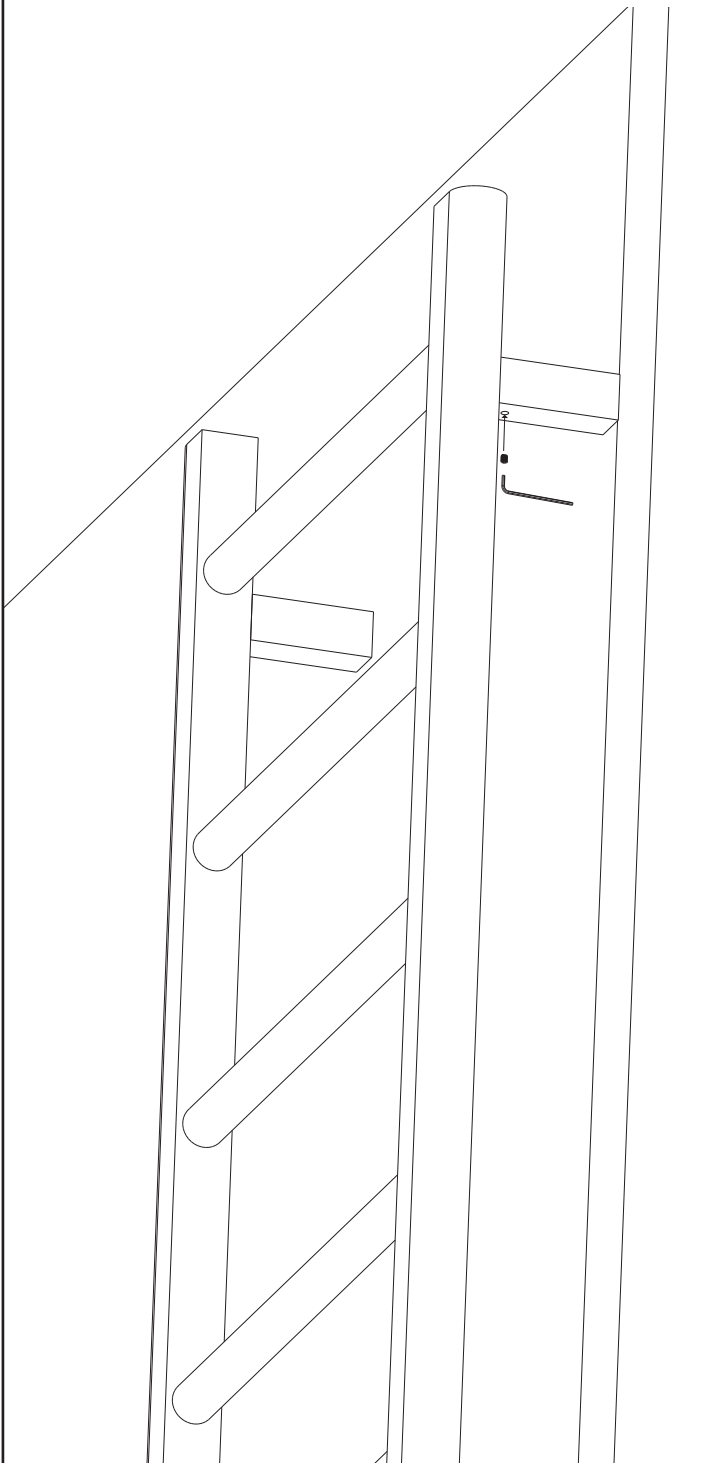
WE RECOMMEND THAT AT LEAST
2 OF THE WALL BRACKETS ARE
SECURED INTO A STUD OR BACKER

STEP 2

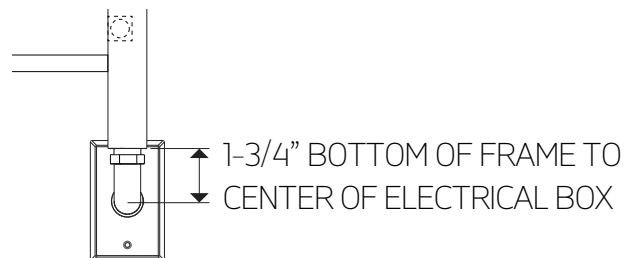
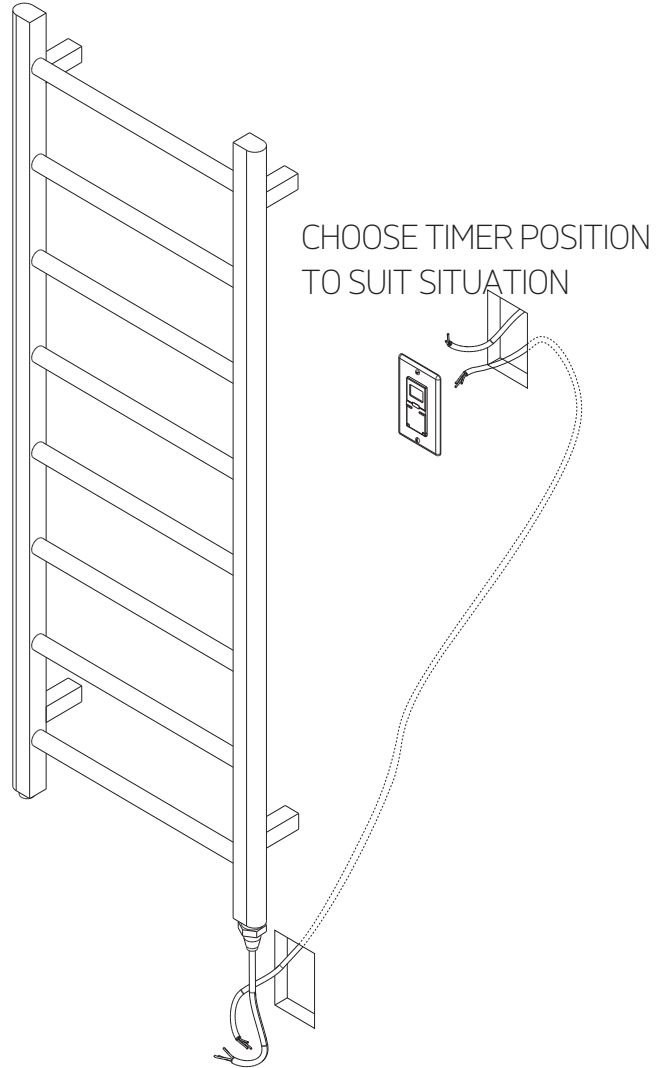


INSTALLATION STEPS

STEP 3 TOTAL OF 4 SET SCREWS,
1 PER BRACKET



STEP 4

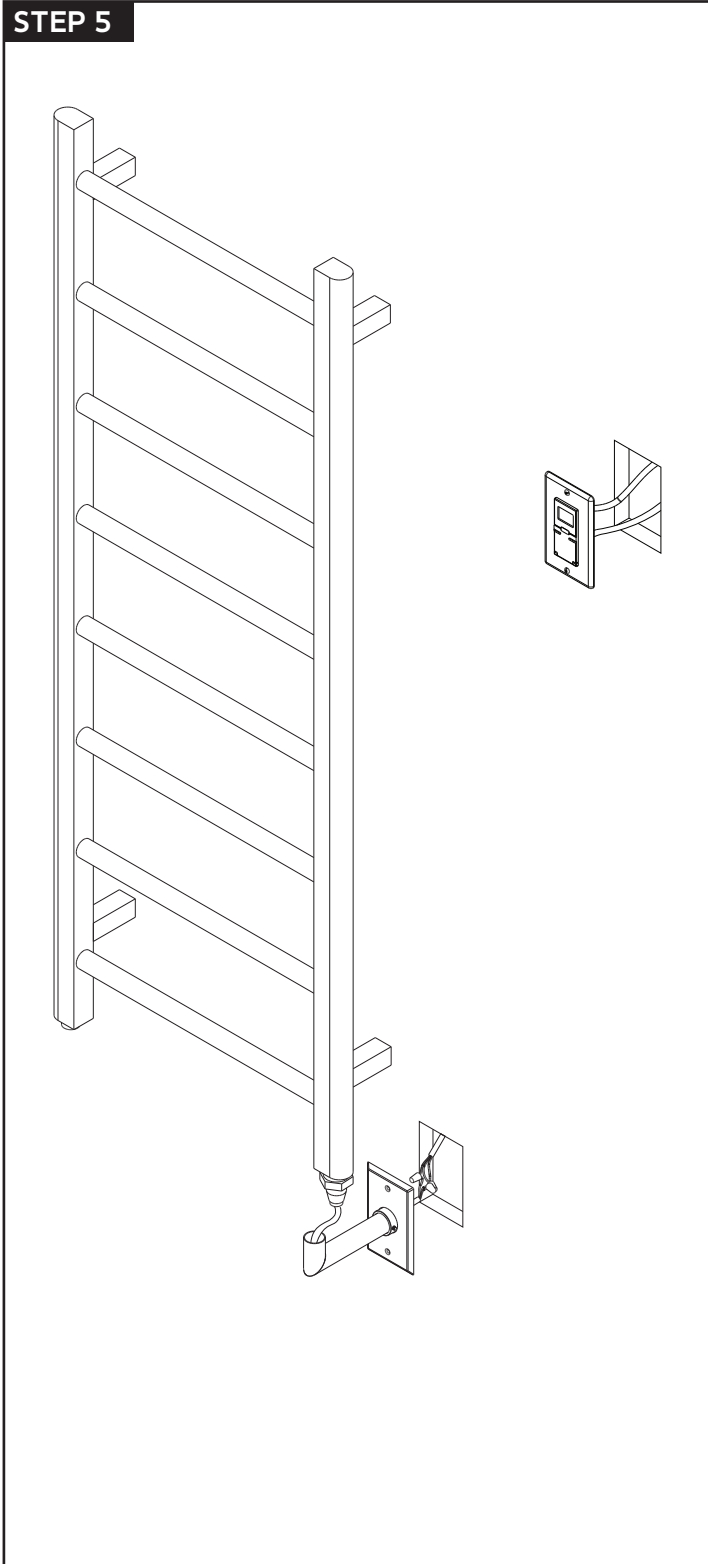


MR12045W

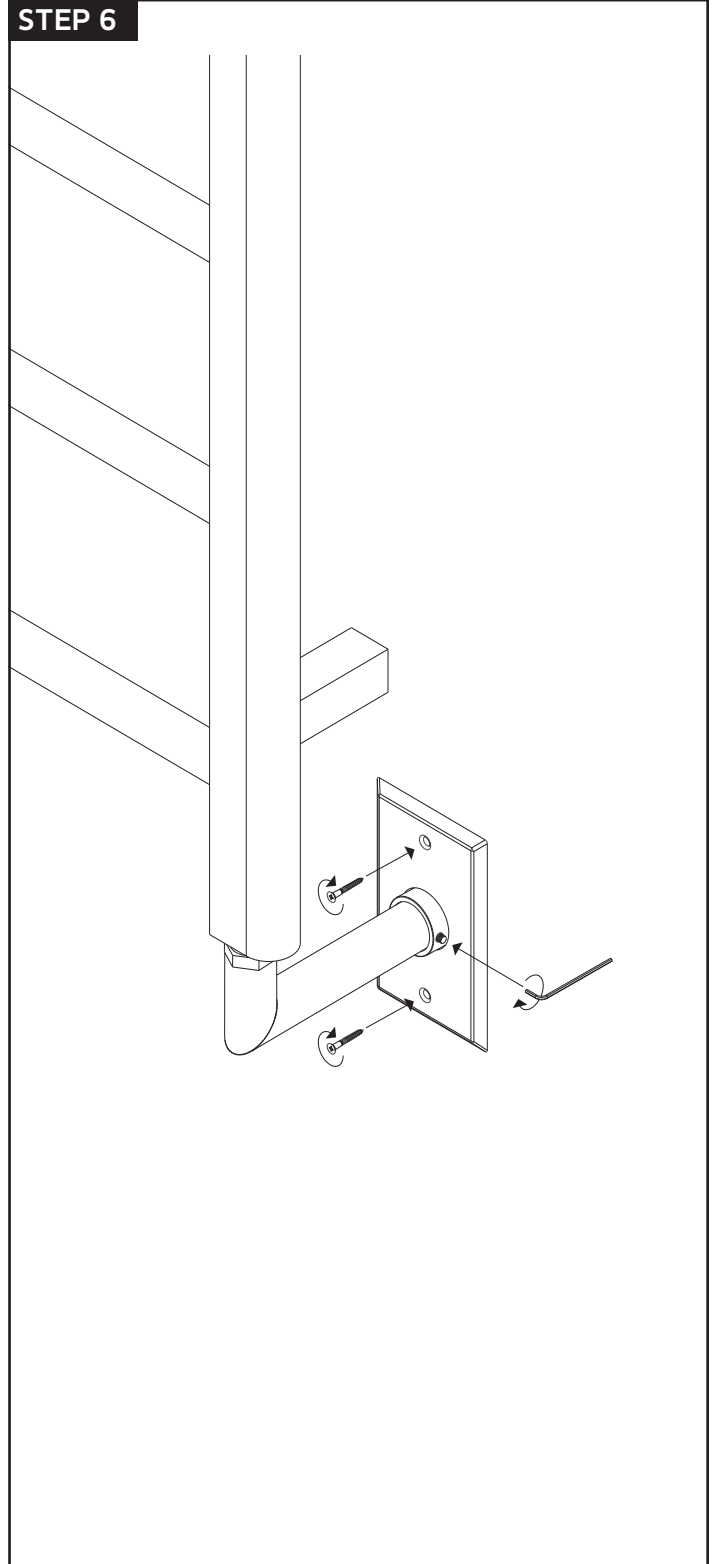
INSTALLATION STEPS

ryton towel warmer,
hardwired

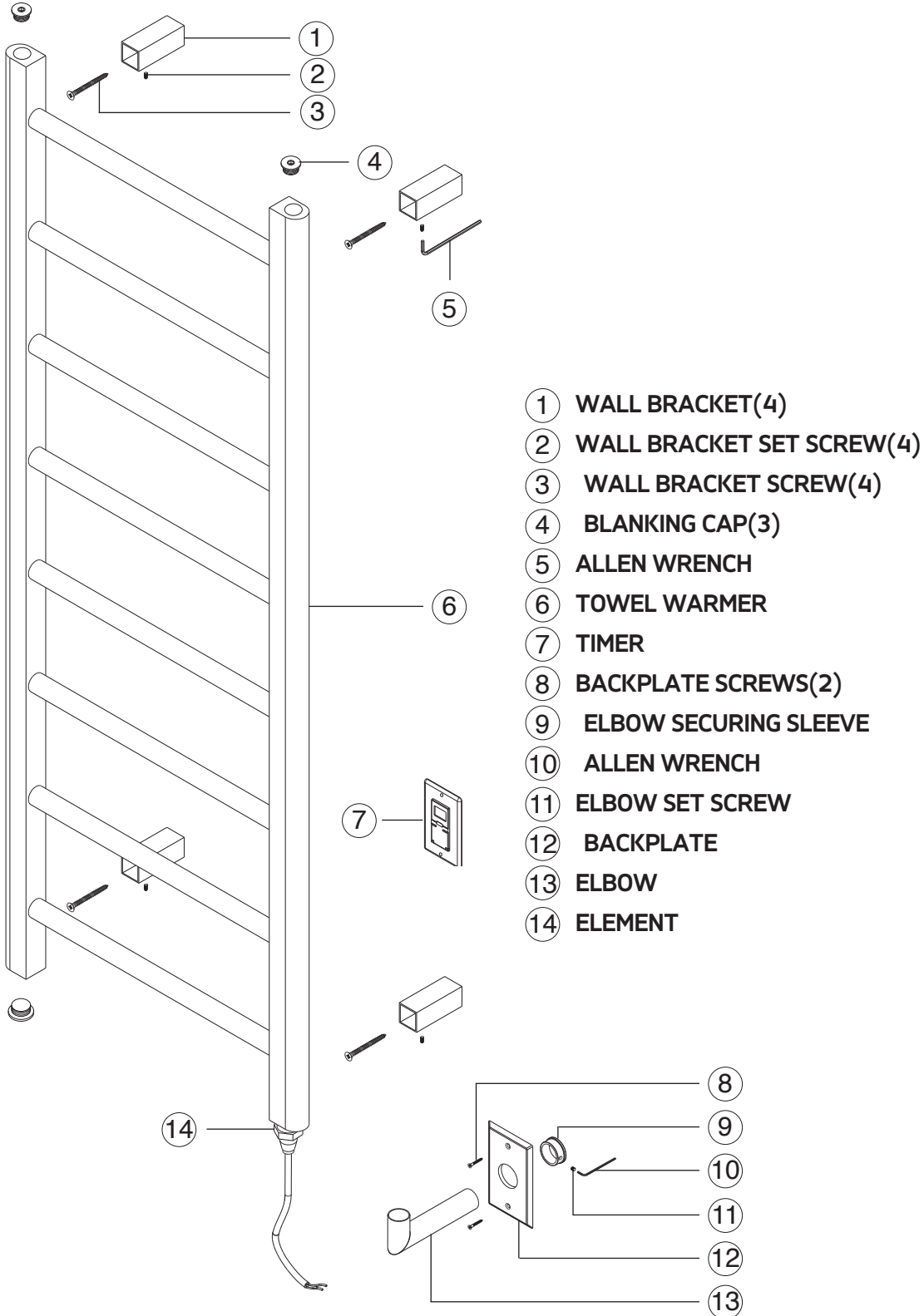
STEP 5



STEP 6



ryton towel warmer,
hardwired



- ① WALL BRACKET(4)
- ② WALL BRACKET SET SCREW(4)
- ③ WALL BRACKET SCREW(4)
- ④ BLANKING CAP(3)
- ⑤ ALLEN WRENCH
- ⑥ TOWEL WARMER
- ⑦ TIMER
- ⑧ BACKPLATE SCREWS(2)
- ⑨ ELBOW SECURING SLEEVE
- ⑩ ALLEN WRENCH
- ⑪ ELBOW SET SCREW
- ⑫ BACKPLATE
- ⑬ ELBOW
- ⑭ ELEMENT