

MR12045P

INSTALLATION GUIDE

ryton towel warmer,
plug-in

BLACK(BK)



CHROME(CH)



POLISHED NICKEL(PN)



artos[®]

MR12045P

OPERATING SPECIFICATIONS

ryton towel warmer,
plug-in



FEATURES

Towel warming, drying and auxiliary heating.

ELEMENT

300W, 110V

CODES

UL Approved

CSA-US Approved

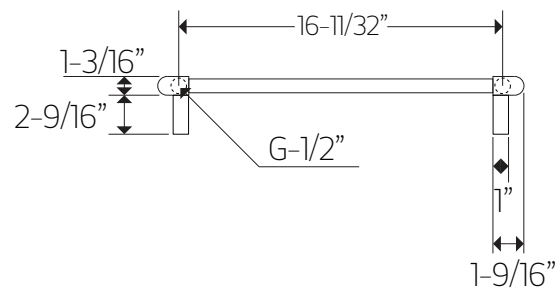
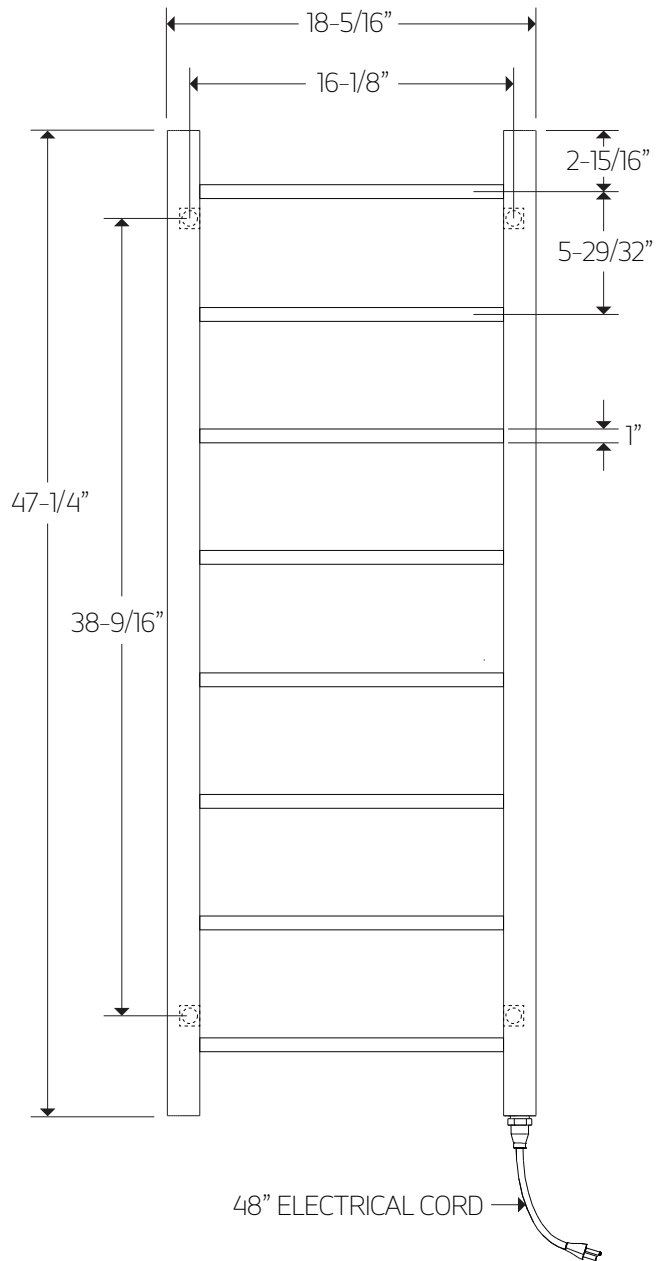
REQUIREMENTS

The towel warmer must be installed so that the Element is at the bottom.

MR12045P

PRODUCT DIMENSIONS

ryton towel warmer,
plug-in



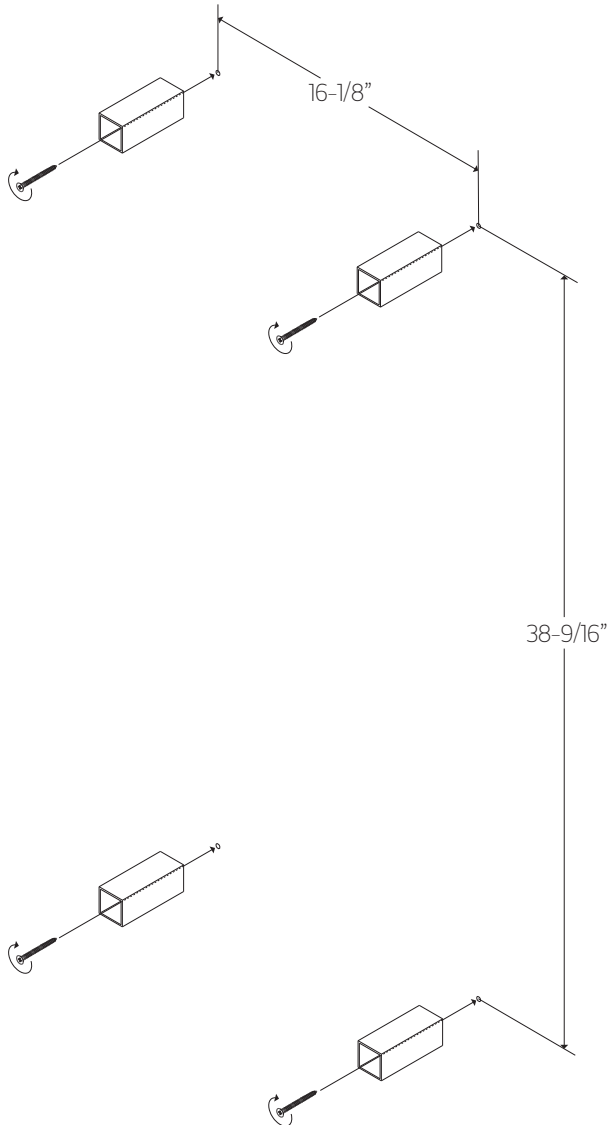
artos[®]

MR12045P

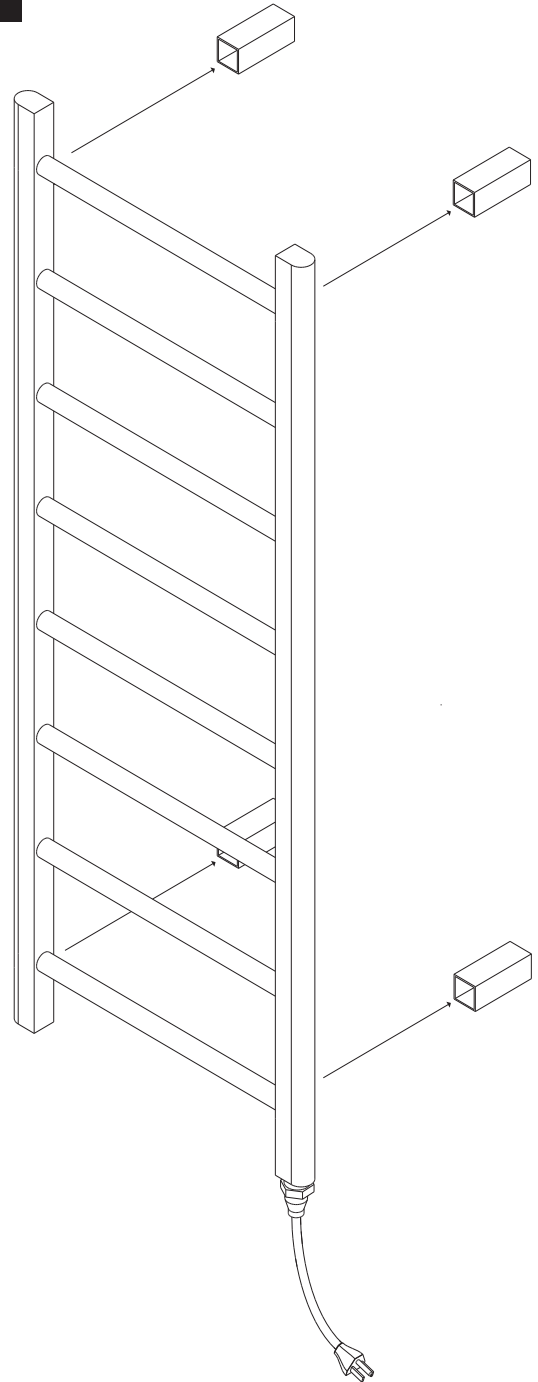
ryton towel warmer,
plug-in

STEP 1

*DIMENSIONS ARE APPROXIMATE FOR
BLOCKING PURPOSES, PLEASE MEASURE UNIT



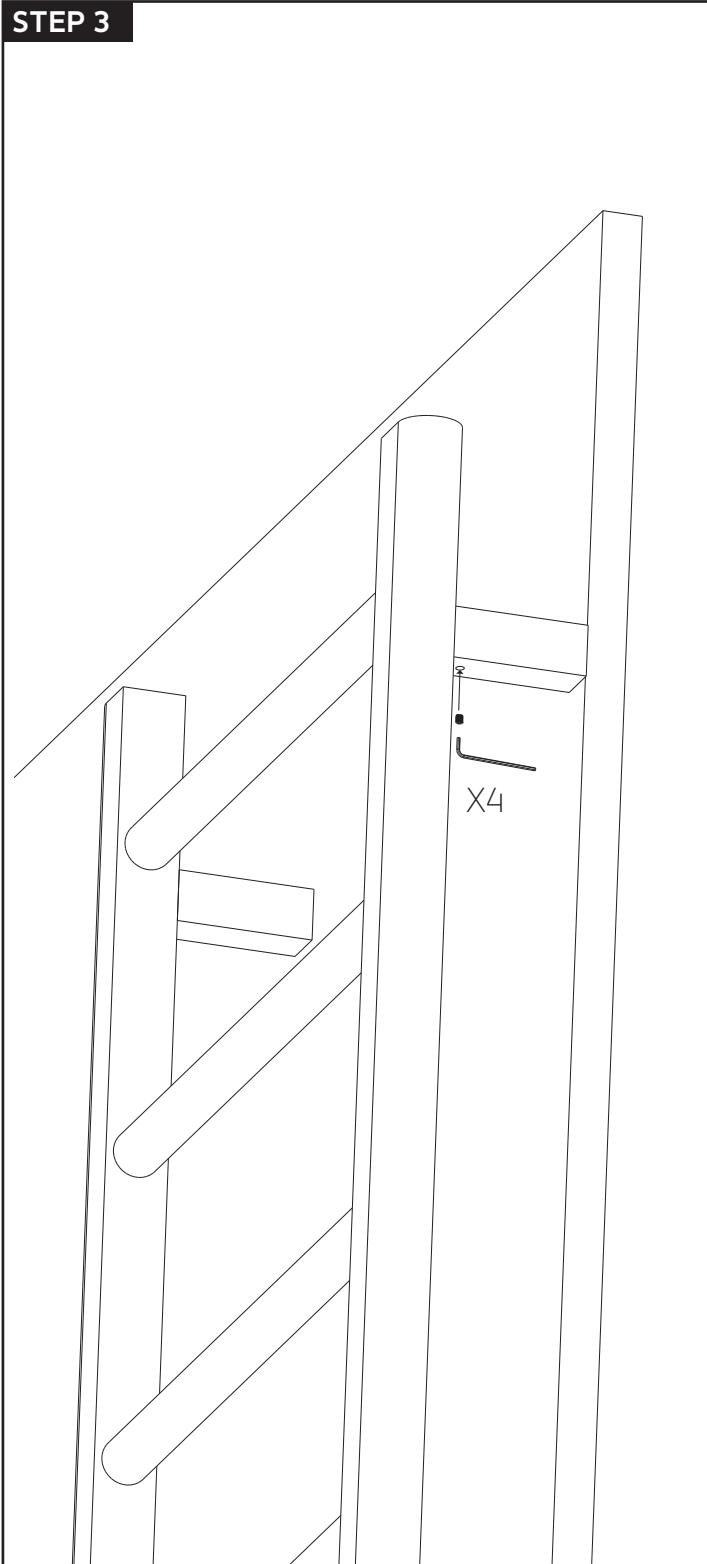
STEP 2



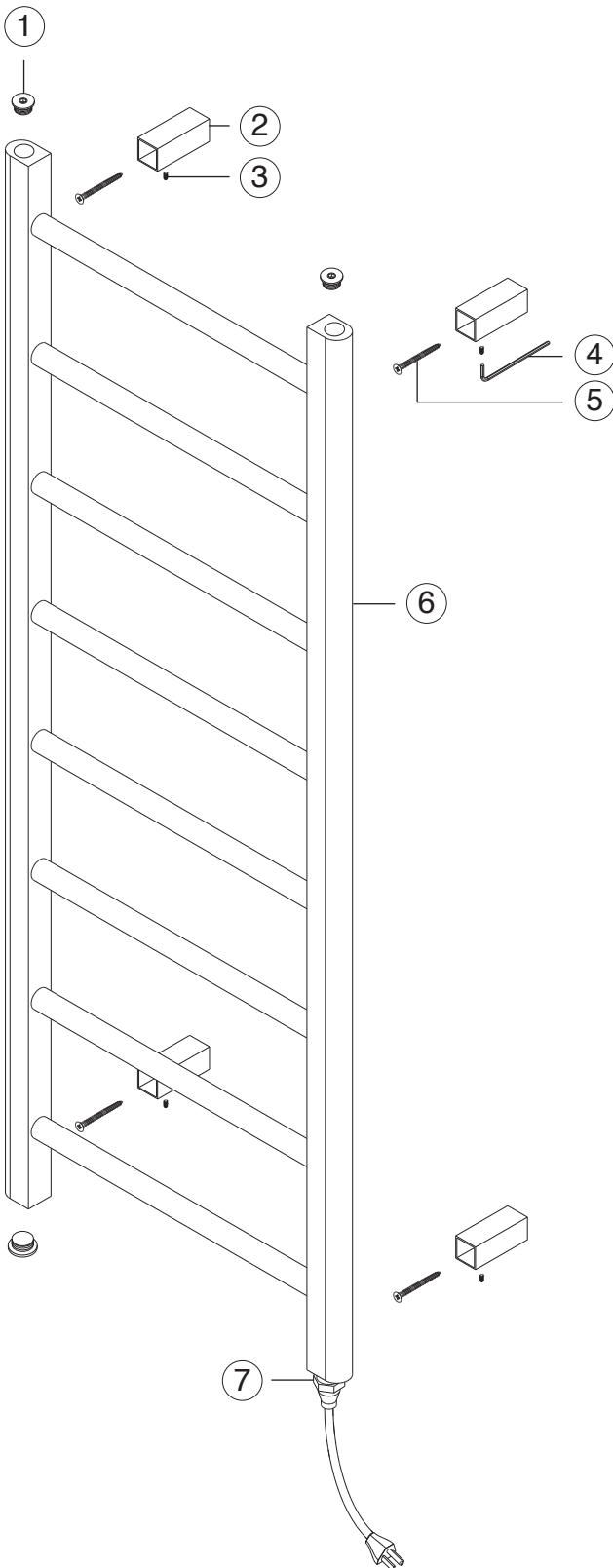
WE RECOMMEND THAT AT LEAST
2 OF THE WALL BRACKETS ARE
SECURED INTO A STUD OR BACKER

INSTALLATION STEPS

STEP 3



ryton towel warmer,
plug-in



- ① BLANKING CAP(3)
- ② WALL BRACKET(4)
- ③ BRACKET SET SCREW(4)
- ④ ALLEN WRENCH
- ⑤ BRACKET SCREW(4)
- ⑥ TOWEL WARMER
- ⑦ ELEMENT