

artos[®]

MR06560W

INSTALLATION GUIDE

ryton towel warmer,
hardwired

BLACK(BK)



CHROME(CH)



POLISHED NICKEL(PN)



MR06560W

OPERATING SPECIFICATIONS

ryton towel warmer,
hardwired



FEATURES

Towel warming, drying and auxiliary heating.

ELEMENT

300W, 110V

CODES

UL Approved
CSA-US Approved

REQUIREMENTS

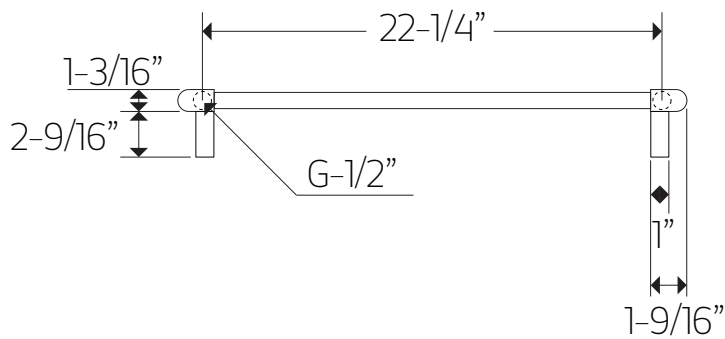
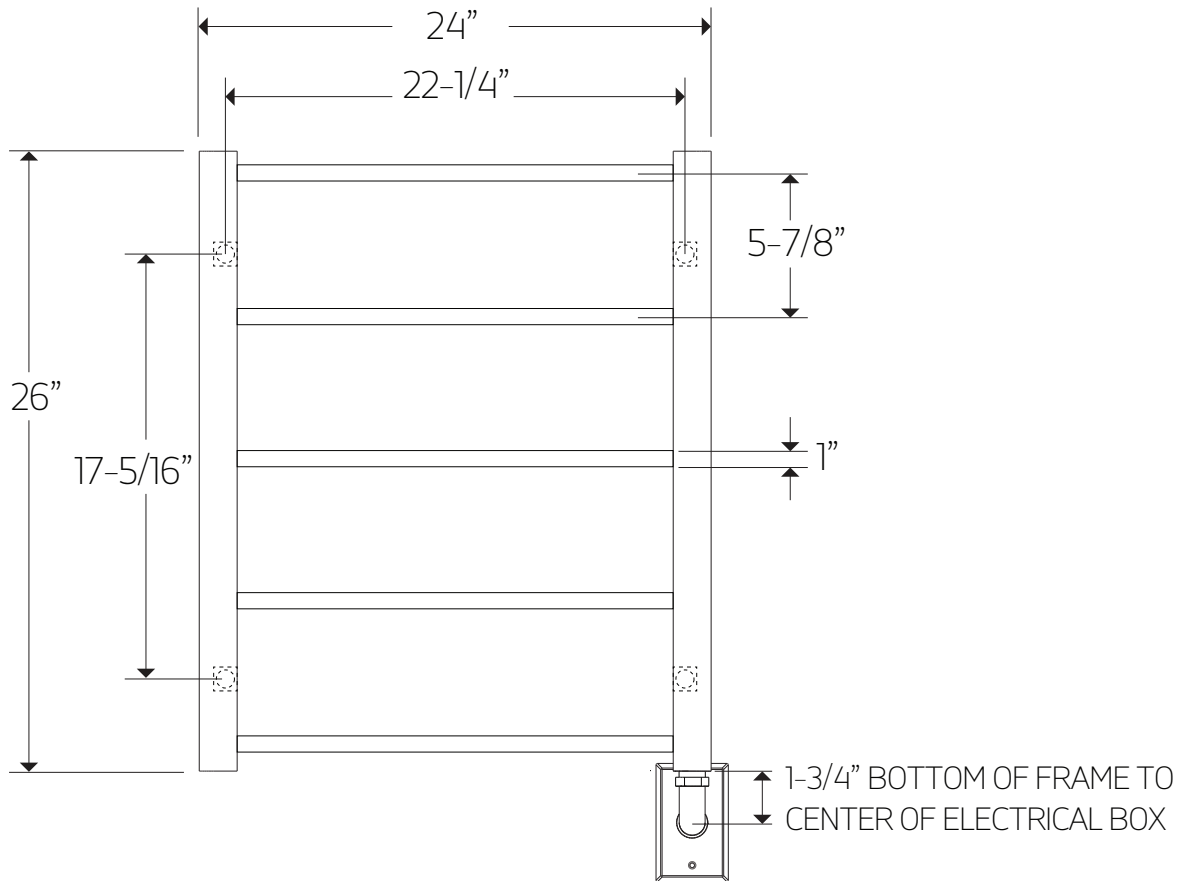
The towel warmer must be installed so that the Element is at the bottom.

artos[®]

MR06560W

PRODUCT DIMENSIONS

ryton towel warmer,
hardwired

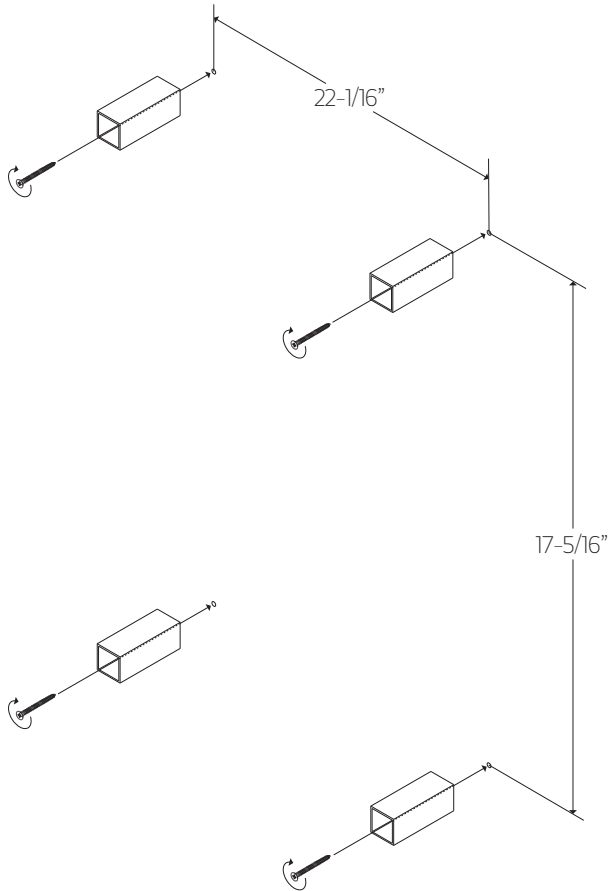


MR06560W

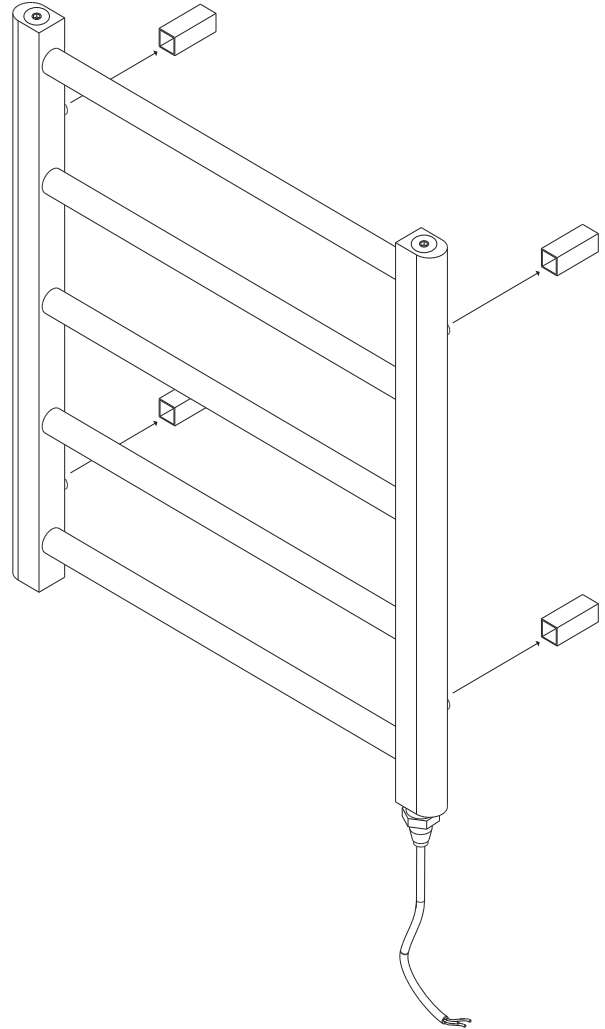
ryton towel warmer,
hardwired

STEP 1

*DIMENSIONS ARE APPROXIMATE FOR
BLOCKING PURPOSES, PLEASE MEASURE UNIT



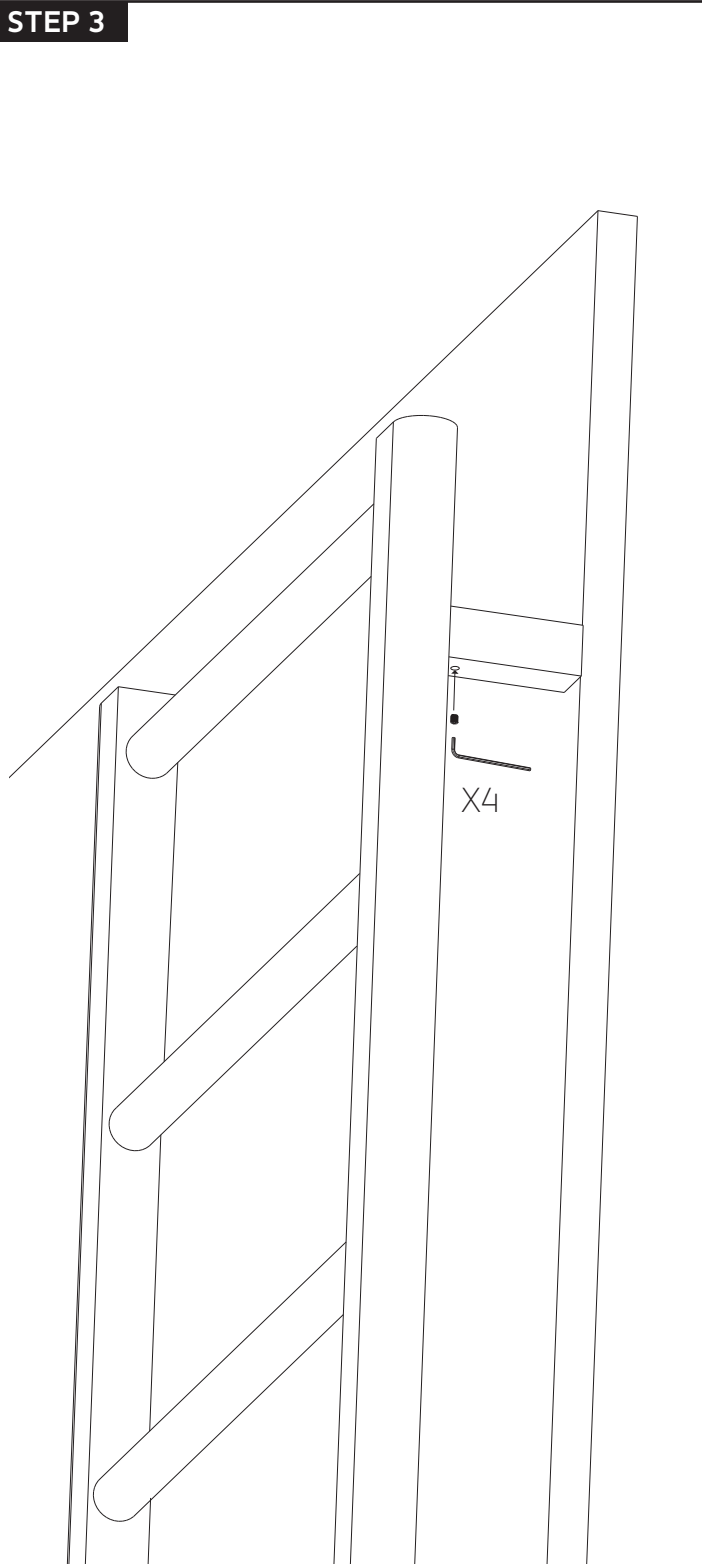
STEP 2



WE RECOMMEND THAT AT LEAST
2 OF THE WALL BRACKETS ARE
SECURED INTO A STUD OR BACKER

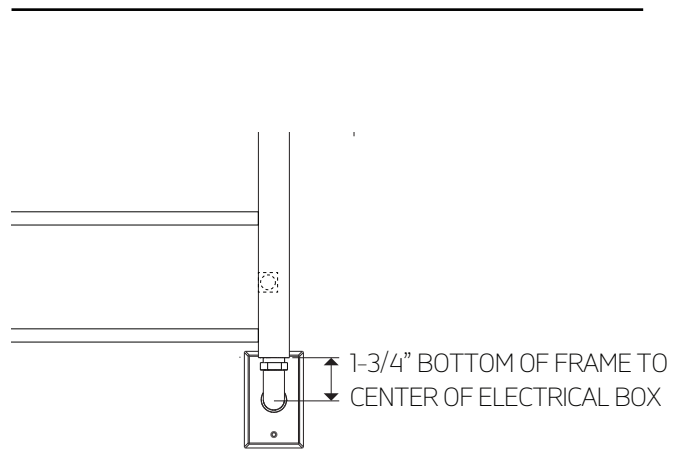
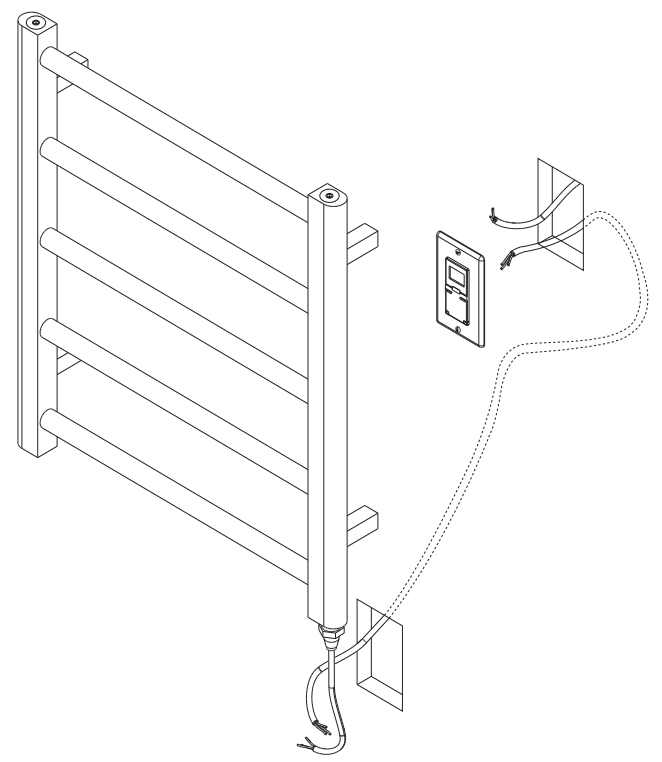
INSTALLATION STEPS

STEP 3



STEP 4

CHOOSE TIMER POSITION TO SUIT SITUATION

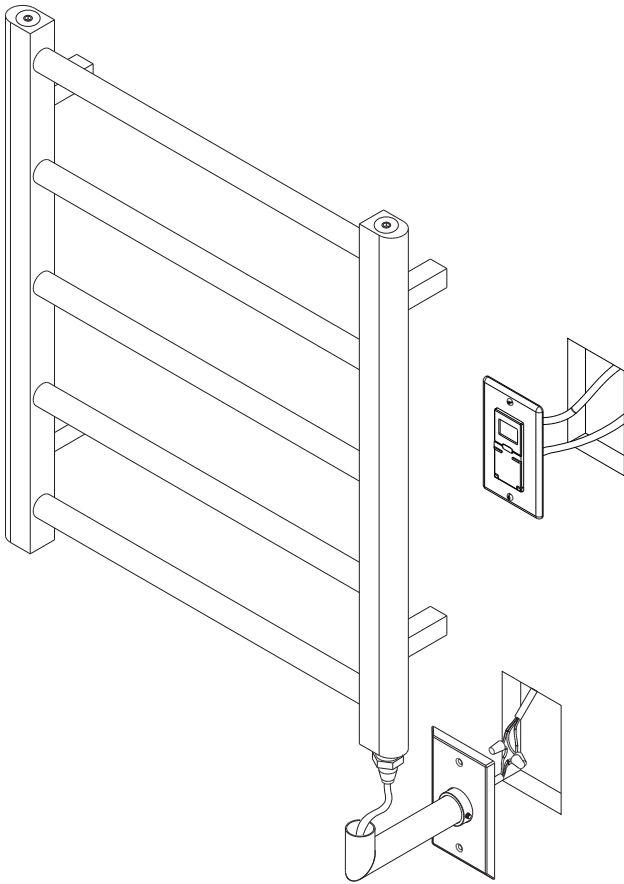


MR06560W

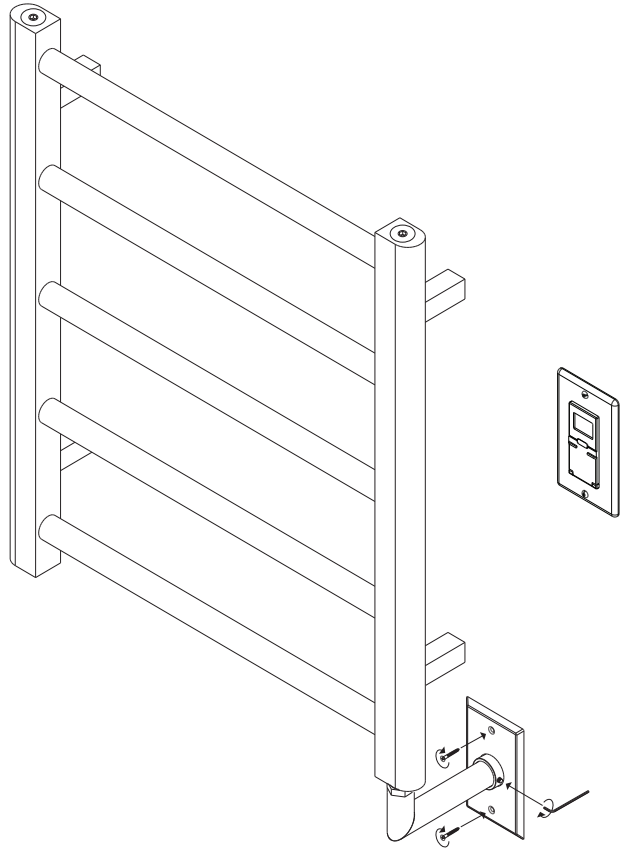
INSTALLATION STEPS

ryton towel warmer,
hardwired

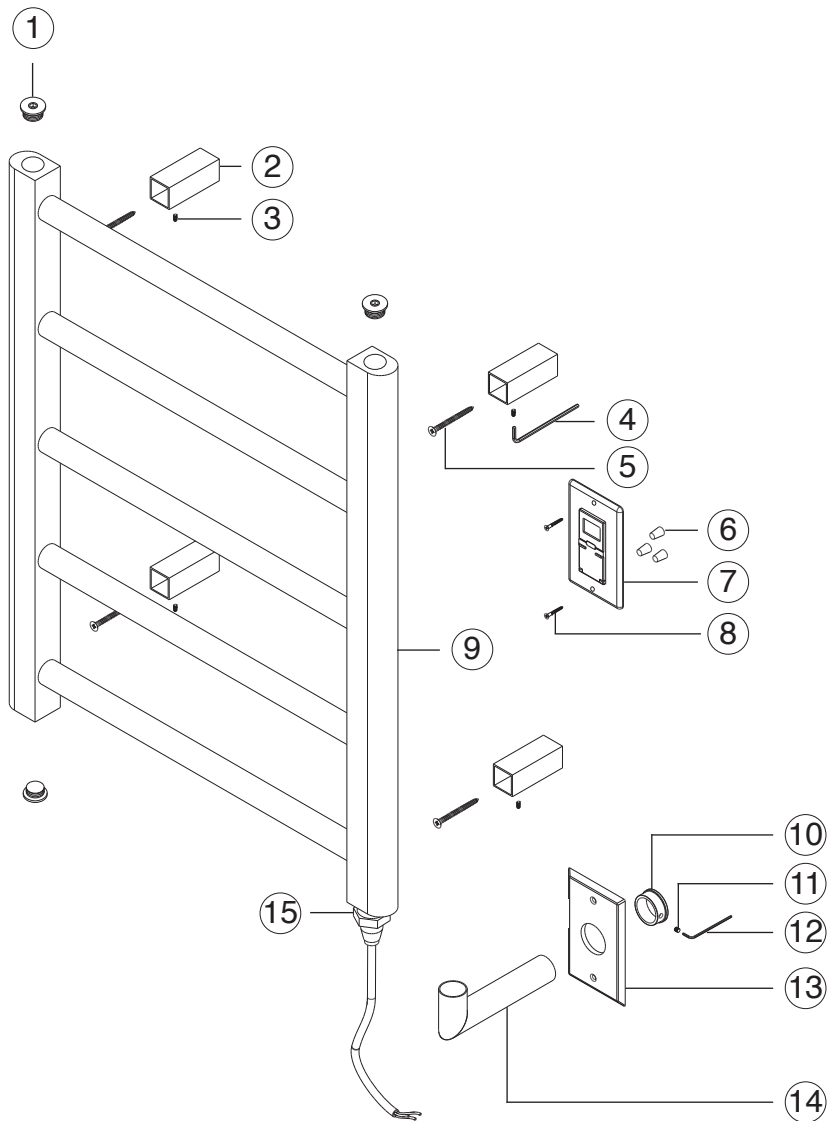
STEP 5



STEP 6



ryton towel warmer,
hardwired



- | | | | |
|---|----------------------|---|-----------------------|
| ① | BLANKING CAP(3) | ⑩ | ELBOW SECURING SLEEVE |
| ② | WALL BRACKET(4) | ⑪ | ELBOW SET SCREW |
| ③ | BRACKET SET SCREW(4) | ⑫ | ALLEN WRENCH |
| ④ | ALLEN WRENCH | ⑬ | BACKPLATE |
| ⑤ | BRACKET SCREW(4) | ⑭ | ELBOW |
| ⑥ | WIRE NUTS(3) | ⑮ | ELEMENT |
| ⑦ | TIMER | | |
| ⑧ | TIMER SCREWS(2) | | |
| ⑨ | TOWEL WARMER | | |