

MR06545P

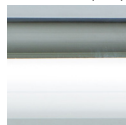
INSTALLATION GUIDE

ryton towel warmer,
plug-in

BRUSHED NICKEL(BN)



CHROME(CH)



POLISHED NICKEL(PN)



BLACK(BK)



artos[®]

MR06545P

ryton towel warmer,
plug-in

OPERATING SPECIFICATIONS



FEATURES

Towel warming, drying and auxiliary heating.

ELEMENT

200W, 110V

CODES

UL Approved

CSA-US Approved

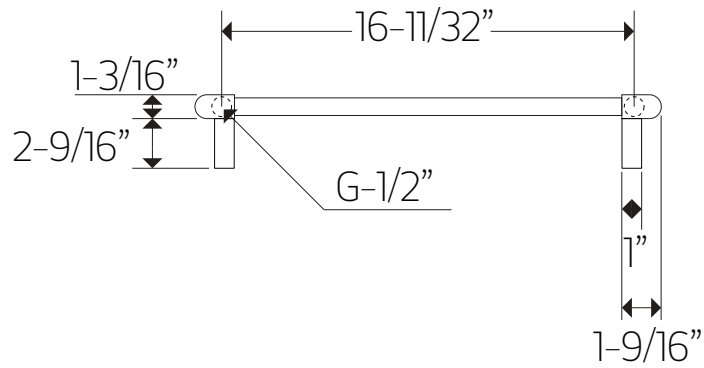
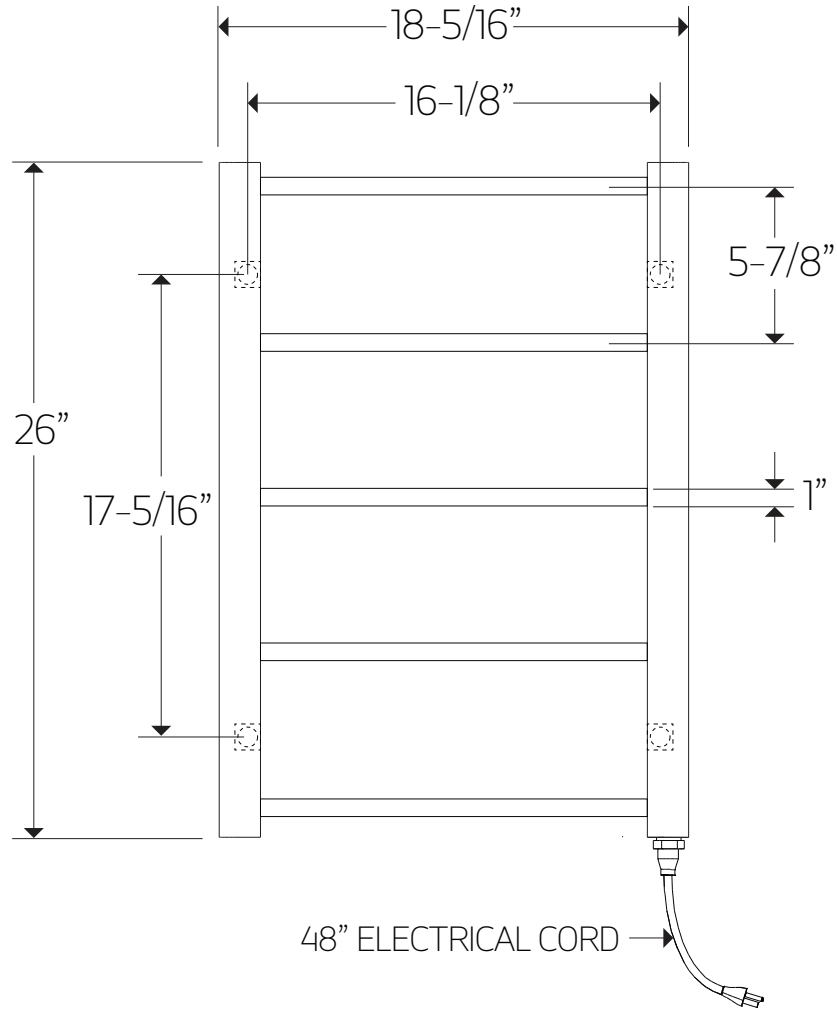
REQUIREMENTS

The towel warmer must be installed so that the Element is at the bottom.

MR06545P

PRODUCT DIMENSIONS

ryton towel warmer,
plug-in



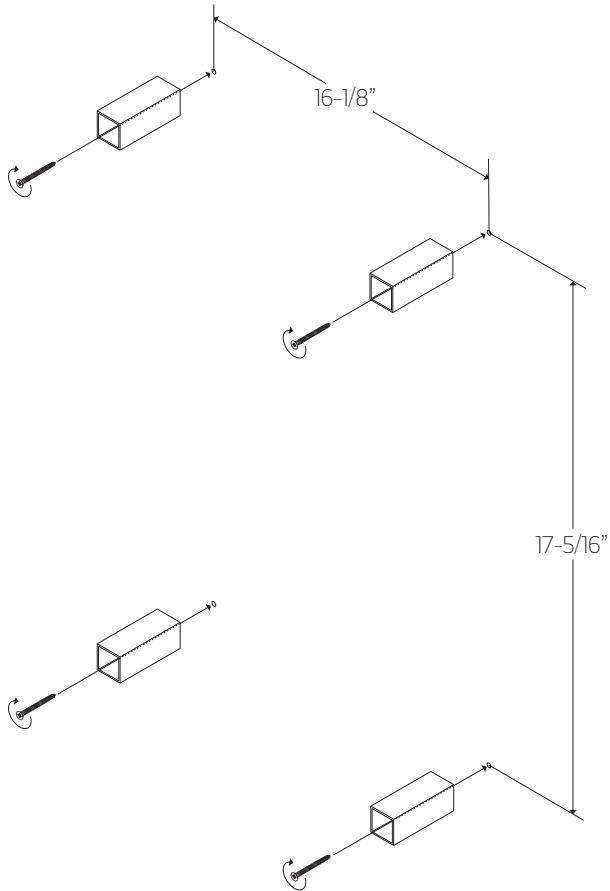
artos[®]

MR06545P

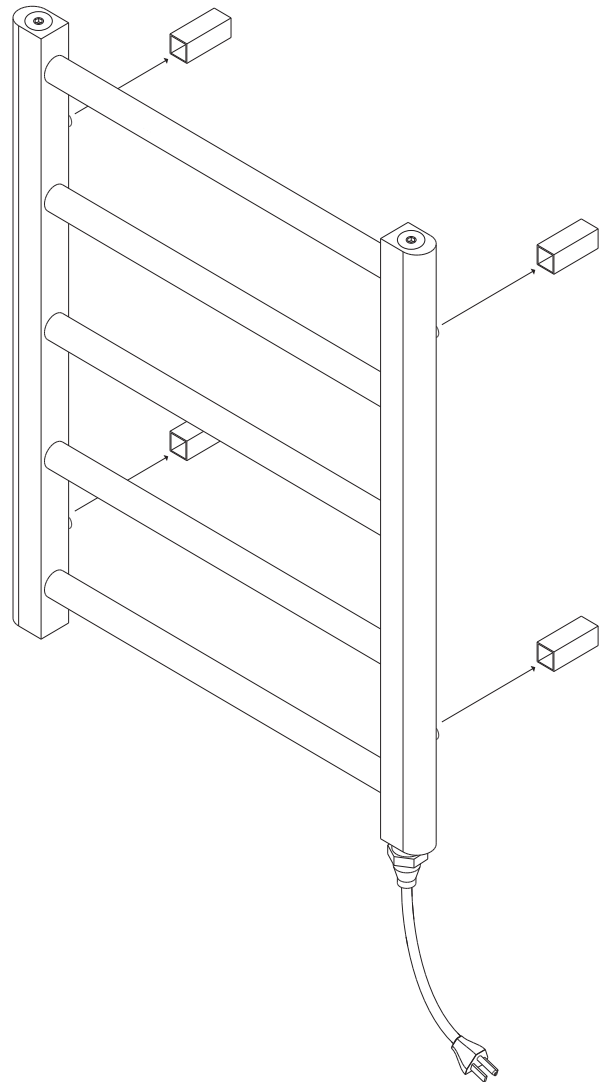
ryton towel warmer,
plug-in

STEP 1

*DIMENSIONS ARE APPROXIMATE FOR
BLOCKING PURPOSES, PLEASE MEASURE UNIT



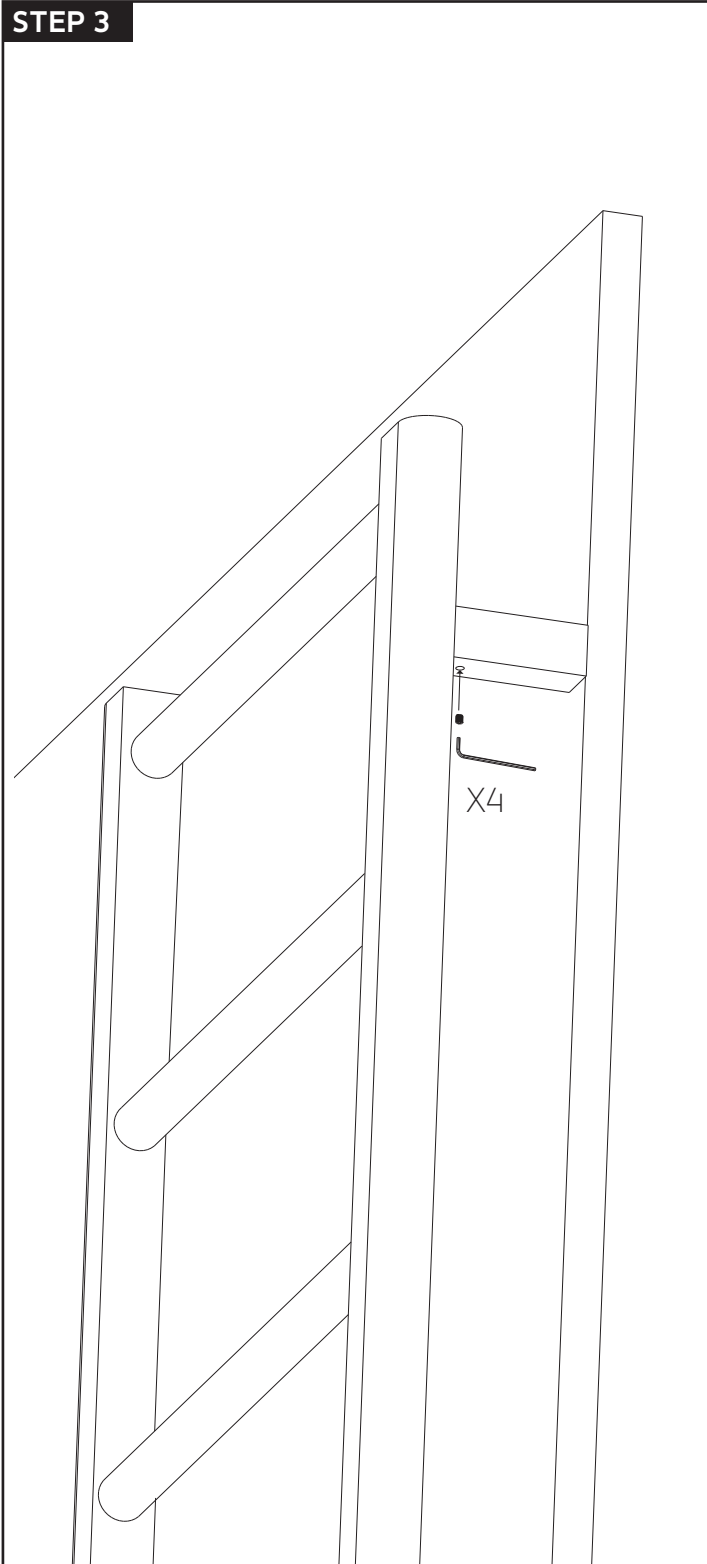
STEP 2



WE RECOMMEND THAT AT LEAST
2 OF THE WALL BRACKETS ARE
SECURED INTO A STUD OR BACKER

INSTALLATION STEPS

STEP 3

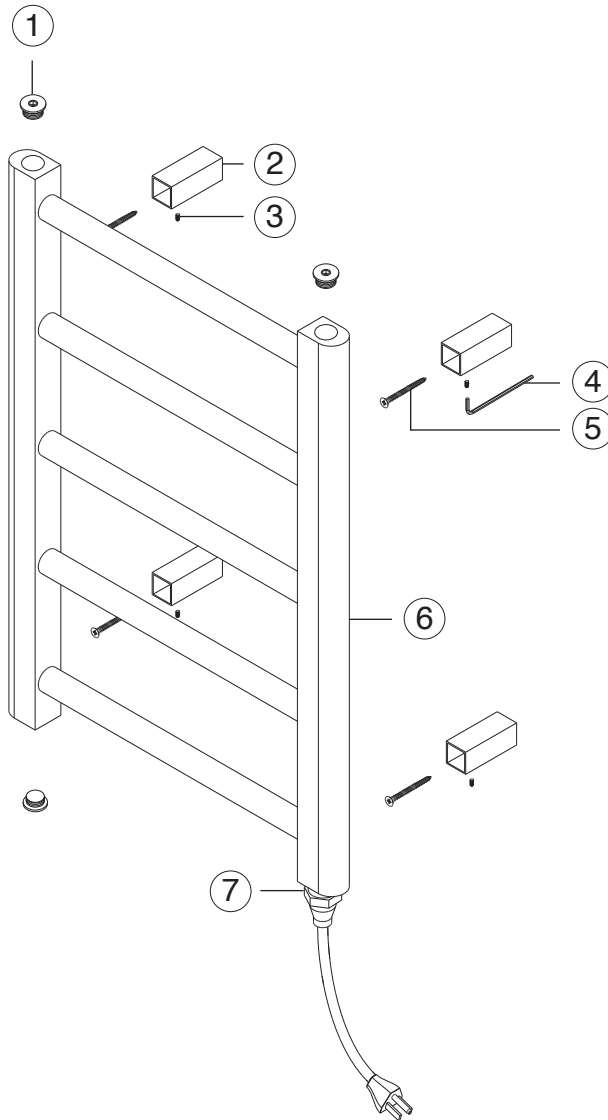


artos[®]

MR06545P

PARTS BREAKDOWN

ryton towel warmer,
plug-in



- ① BLANKING CAP(3)
- ② WALL BRACKET(4)
- ③ BRACKET SET SCREW(4)
- ④ ALLEN WRENCH
- ⑤ BRACKET SCREW(4)
- ⑥ TOWEL WARMER
- ⑦ ELEMENT