

# artos<sup>®</sup>

## M11175W

## INSTALLATION GUIDE

denby towel warmer,  
hardwired

BRUSHED NICKEL(BN)



CHROME(CH)



POLISHED NICKEL(PN)



BLACK(BK)



# artos<sup>®</sup>

M11175W

denby towel warmer,  
hardwired

## OPERATING SPECIFICATIONS



### FEATURES

Towel warming, drying and auxiliary heating.

### ELEMENT

400W, 110V

### CODES

UL Approved

CSA-US Approved

### REQUIREMENTS

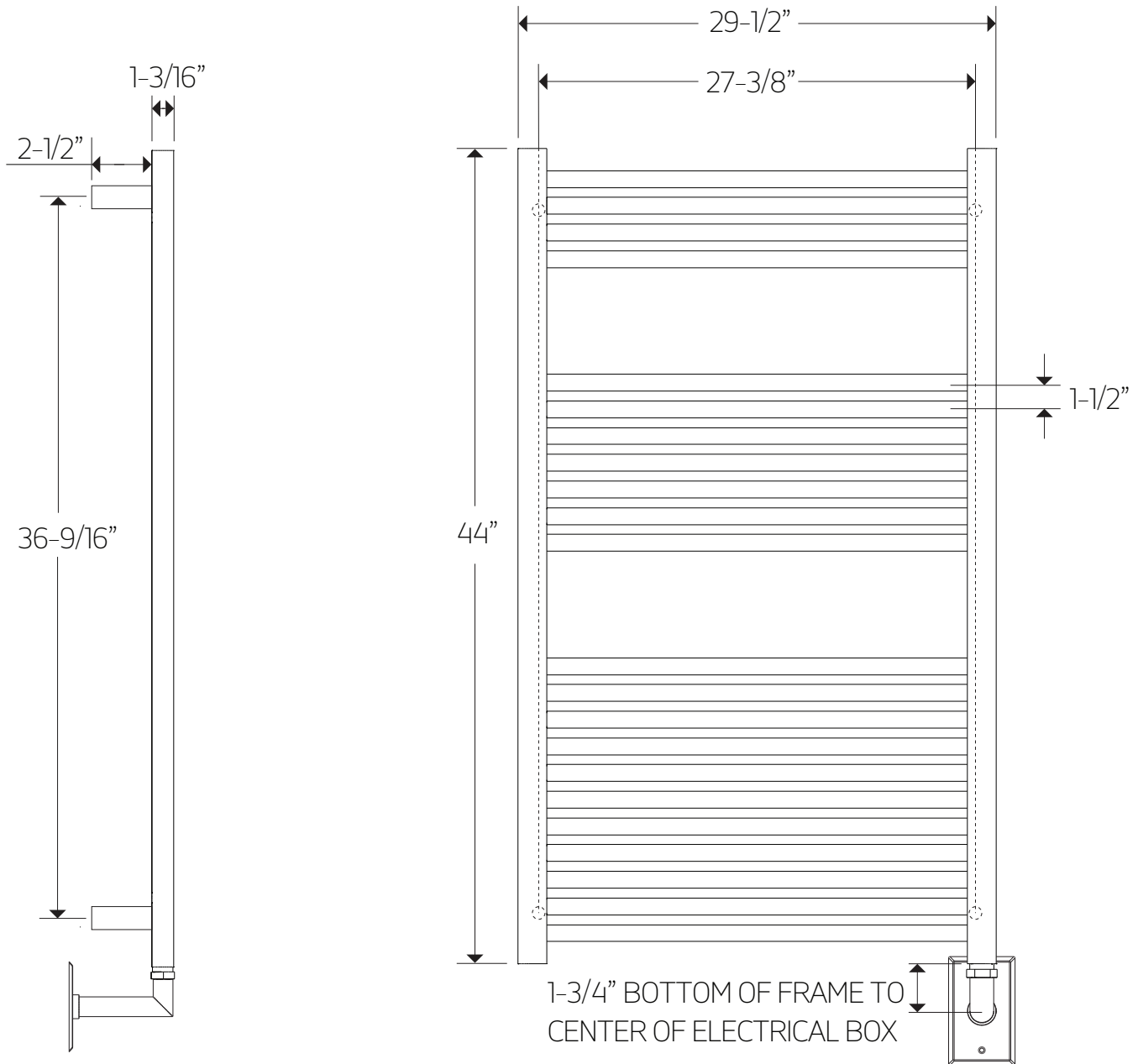
The towel warmer must be installed so that the Element is at the bottom.

# artos<sup>®</sup>

M11175W

## PRODUCT DIMENSIONS

denby towel warmer,  
hardwired



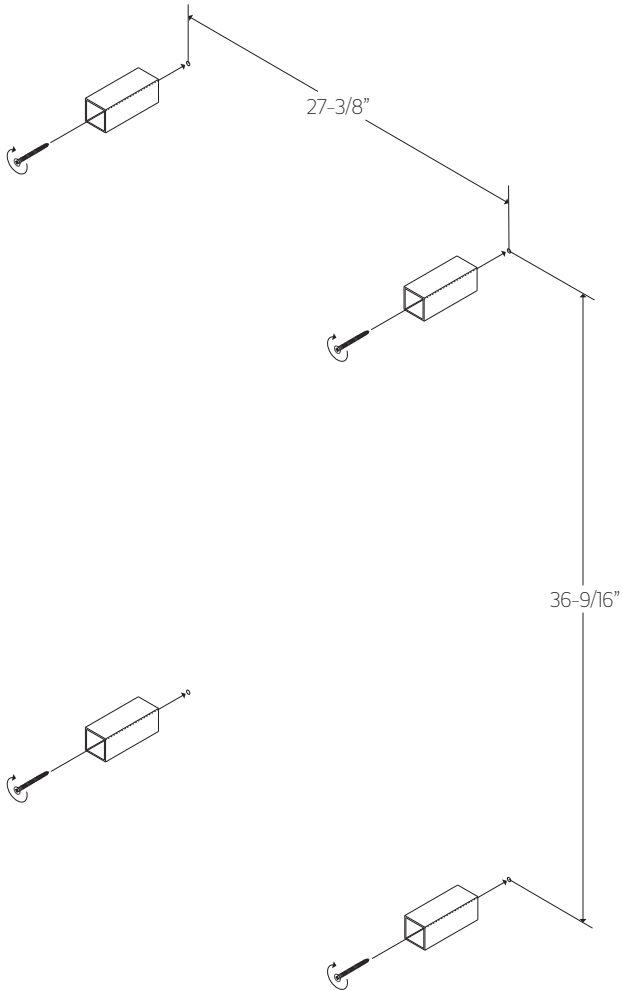
# artos<sup>®</sup>

M11175W

denby towel warmer,  
hardwired

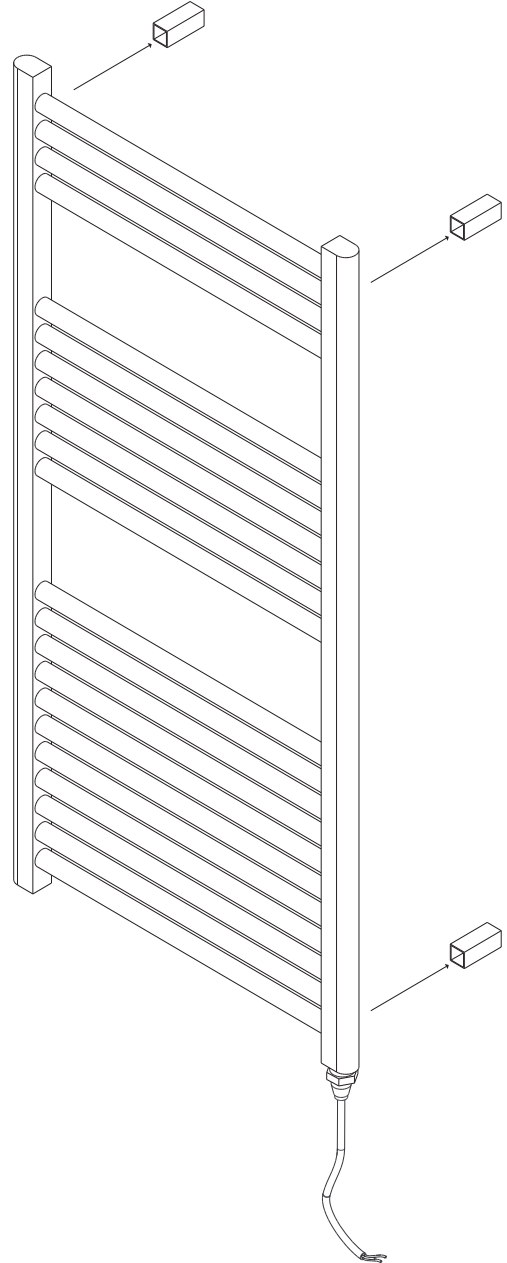
## STEP 1

\*ALL DIMENSIONS ARE APPROXIMATE FOR  
BLOCKING PURPOSES, PLEASE MEASURE UNIT



WE RECOMMEND THAT AT LEAST  
2 OF THE WALL BRACKETS ARE  
SECURED INTO A STUD OR BACKER

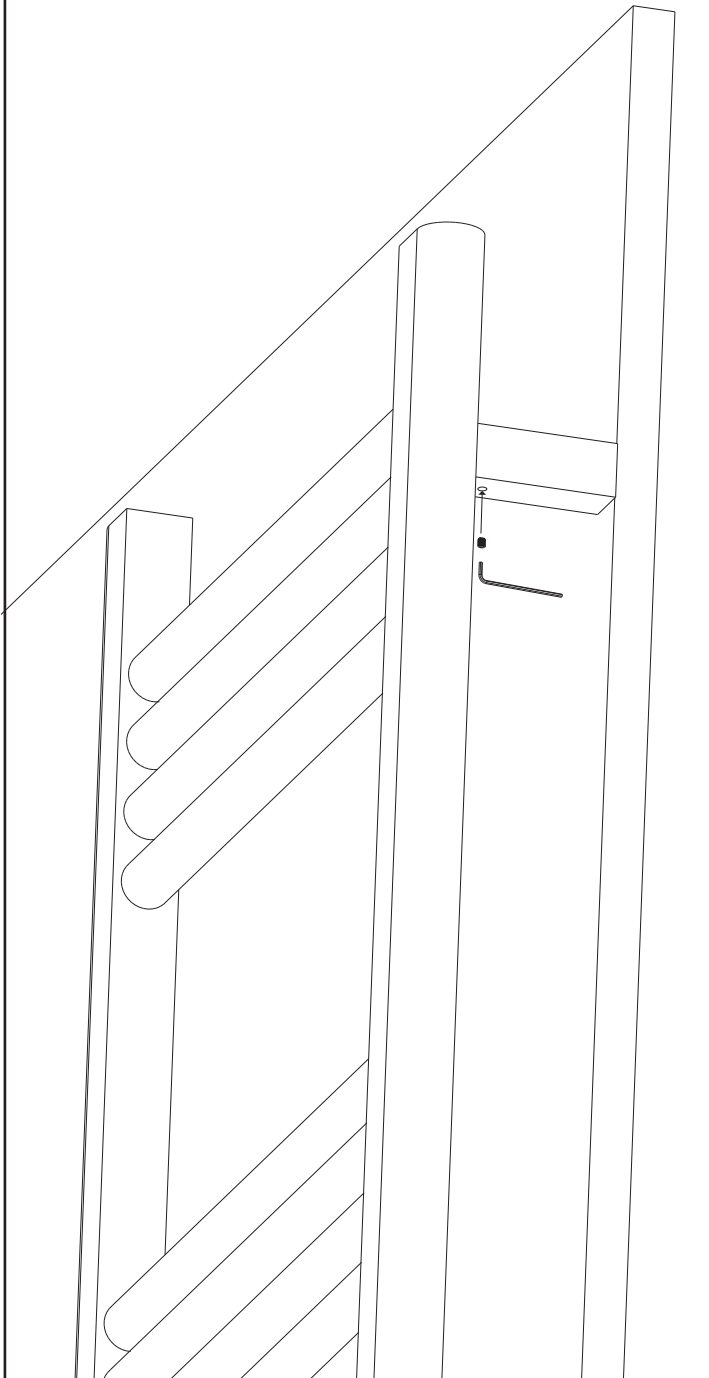
## STEP 2



# INSTALLATION STEPS

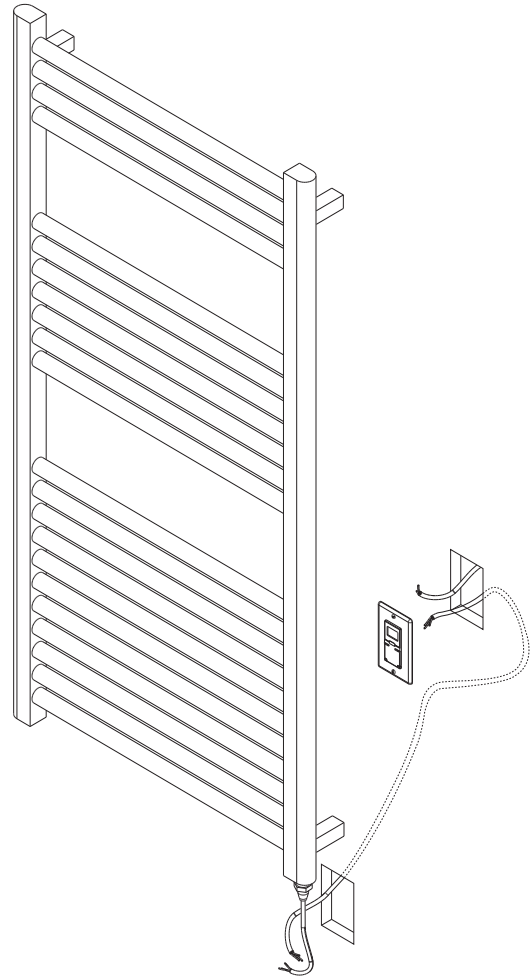
## STEP 3

TIGHTEN SET SCREWS  
(ONE PER BRACKET)

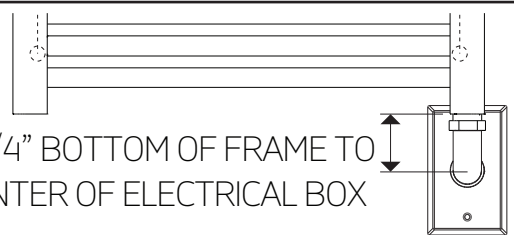


## STEP 4

CHOOSE TIMER POSITION  
TO SUIT SITUATION



1-3/4" BOTTOM OF FRAME TO  
CENTER OF ELECTRICAL BOX



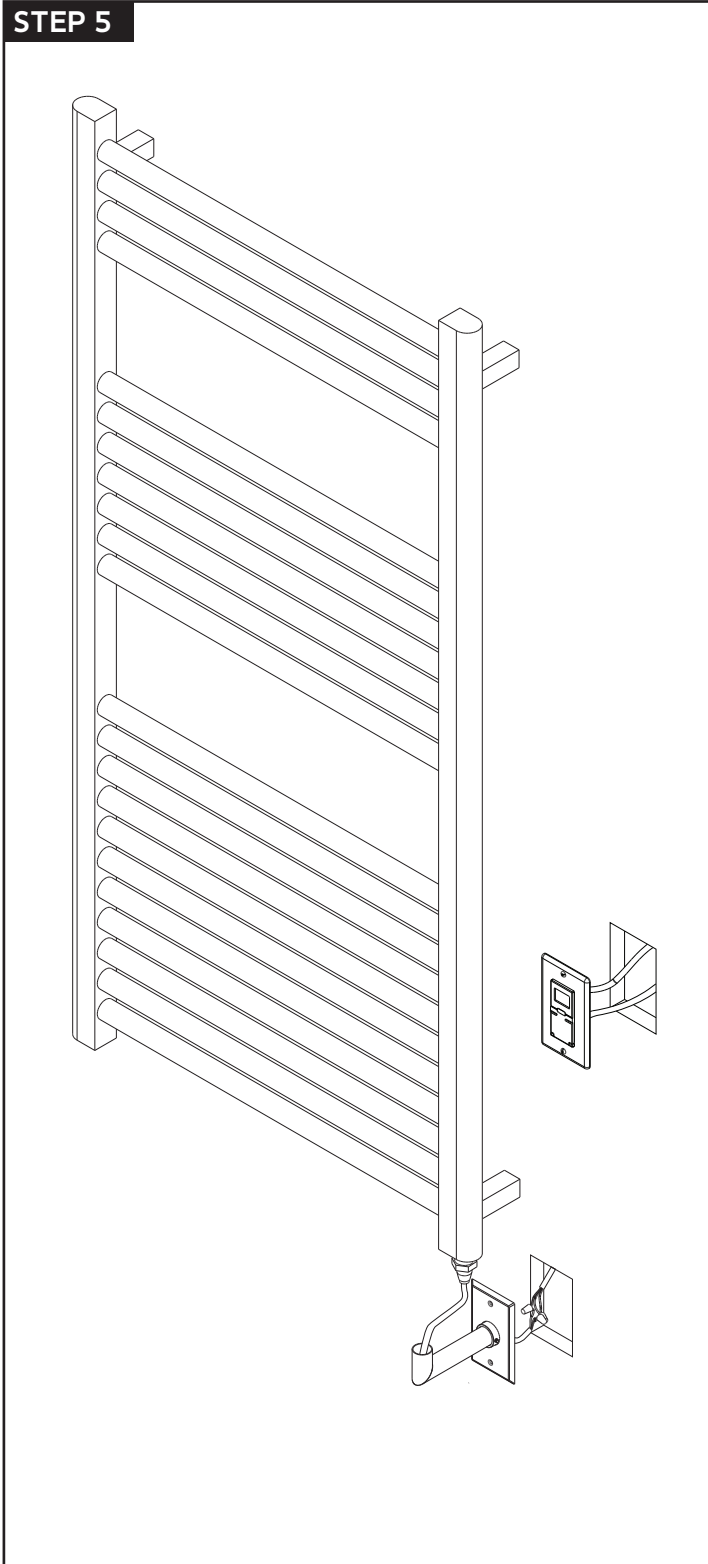
# artos<sup>®</sup>

## M11175W

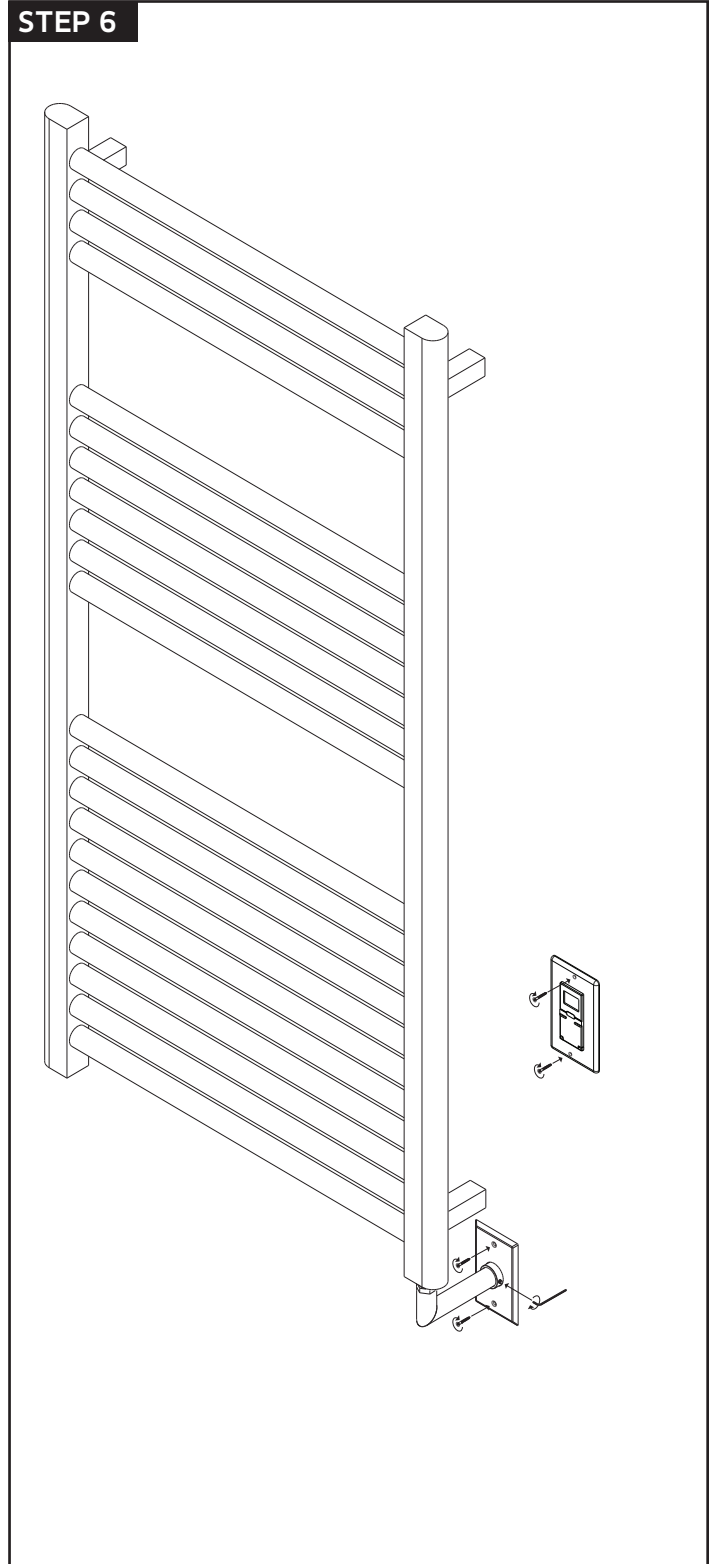
denby towel warmer,  
hardwired

### INSTALLATION STEPS

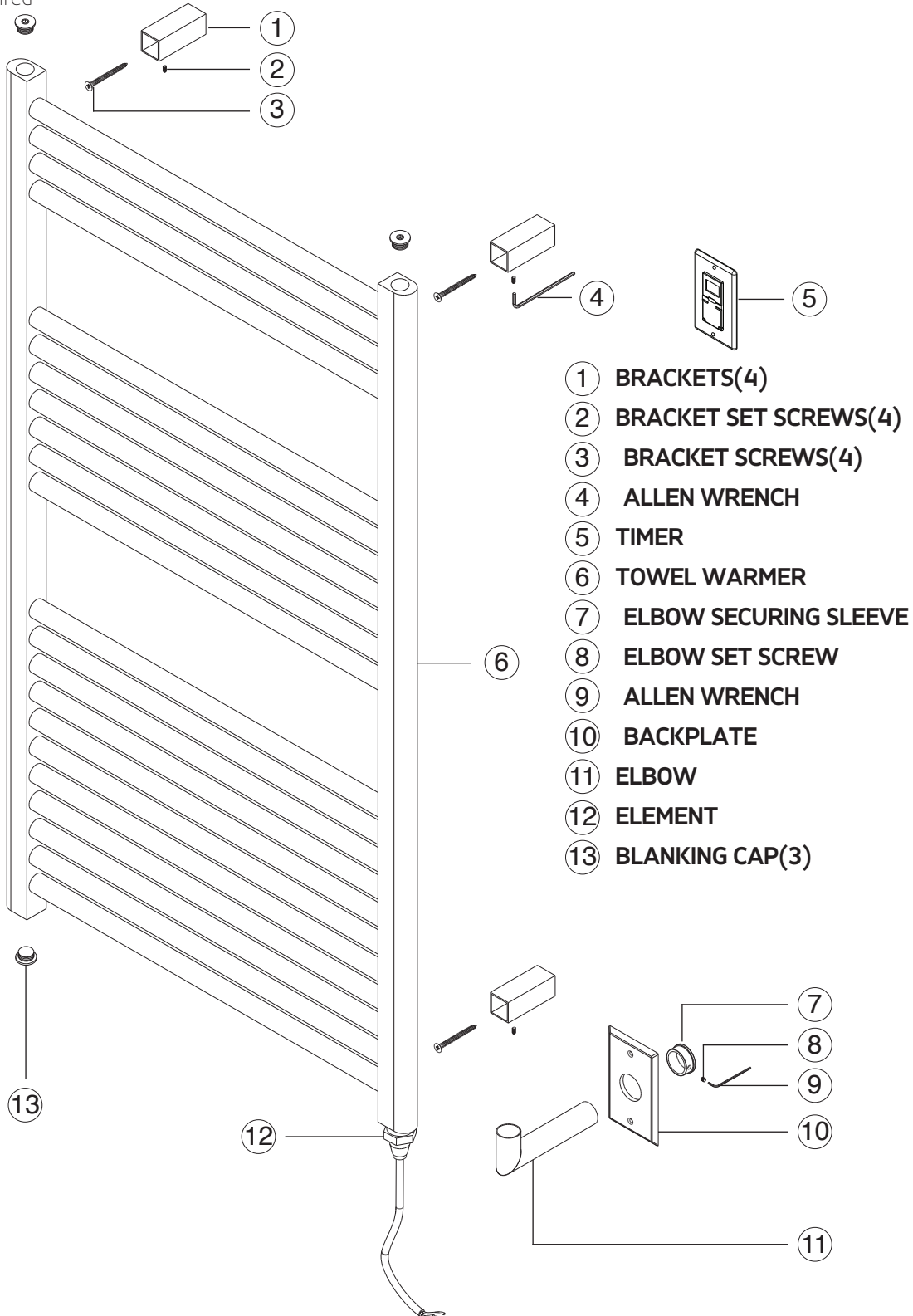
#### STEP 5



#### STEP 6



denby towel warmer,  
hardwired



- ① BRACKETS(4)
- ② BRACKET SET SCREWS(4)
- ③ BRACKET SCREWS(4)
- ④ ALLEN WRENCH
- ⑤ TIMER
- ⑥ TOWEL WARMER
- ⑦ ELBOW SECURING SLEEVE
- ⑧ ELBOW SET SCREW
- ⑨ ALLEN WRENCH
- ⑩ BACKPLATE
- ⑪ ELBOW
- ⑫ ELEMENT
- ⑬ BLANKING CAP(3)