

artos[®]

M11175P

INSTALLATION GUIDE

denby towel warmer,
plug-in

BRUSHED NICKEL(BN)



CHROME(CH)



POLISHED NICKEL(PN)



BLACK(BK)



artos[®]

M11175P

denby towel warmer,
plug-in

OPERATING SPECIFICATIONS



FEATURES

Towel warming, drying and auxiliary heating.

ELEMENT

400W, 110V

CODES

UL Approved
CSA-US Approved

REQUIREMENTS

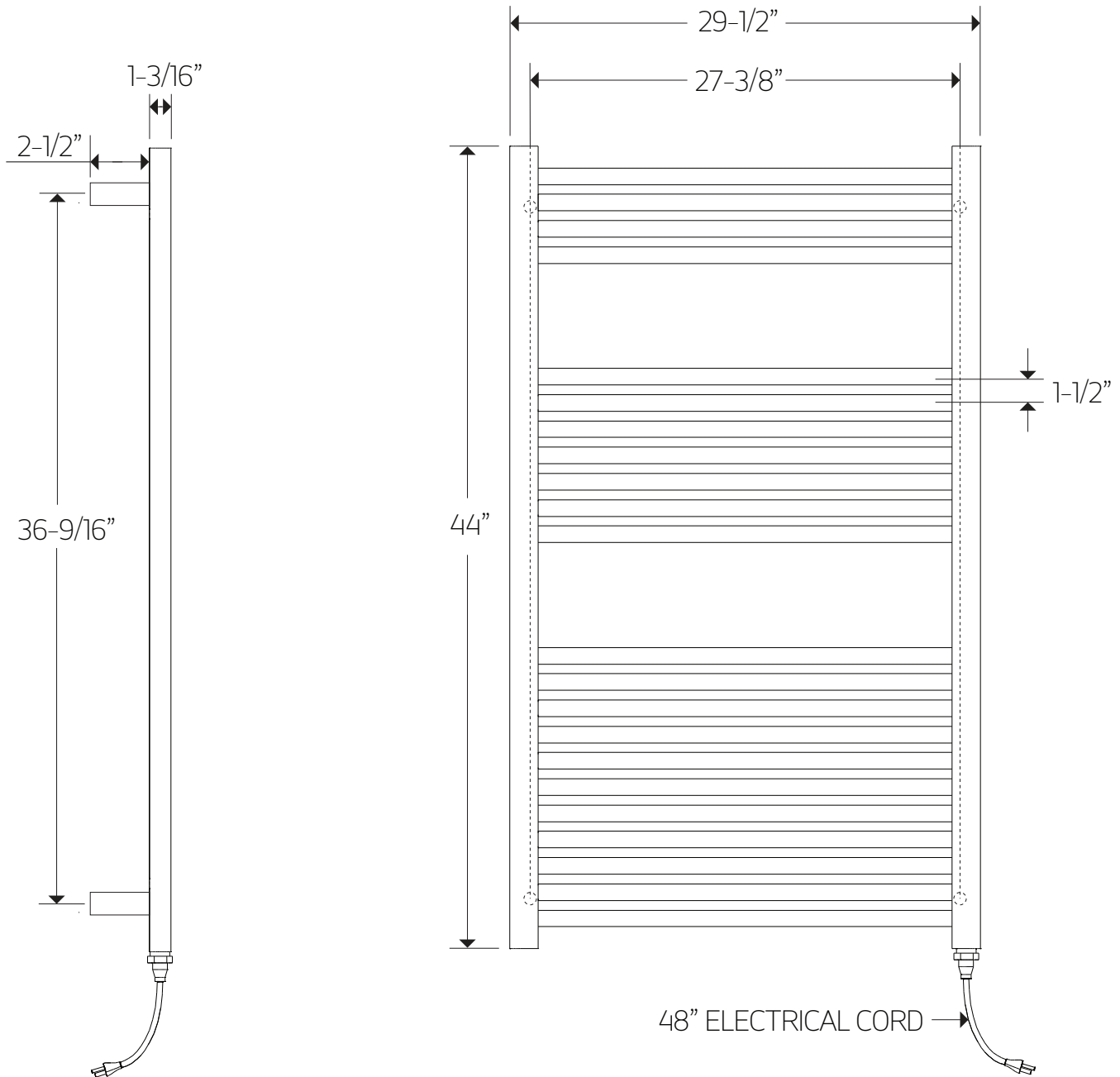
The towel warmer must be installed so that the Element is at the bottom.

artos[®]

M11175P

PRODUCT DIMENSIONS

denby towel warmer,
plug-in



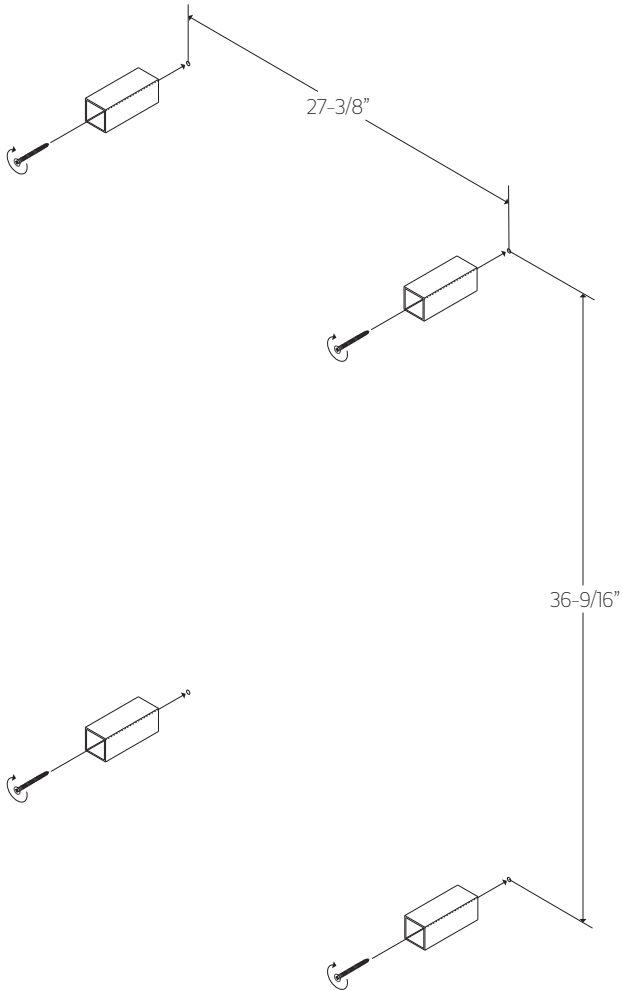
artos[®]

M11175P

denby towel warmer,
plug-in

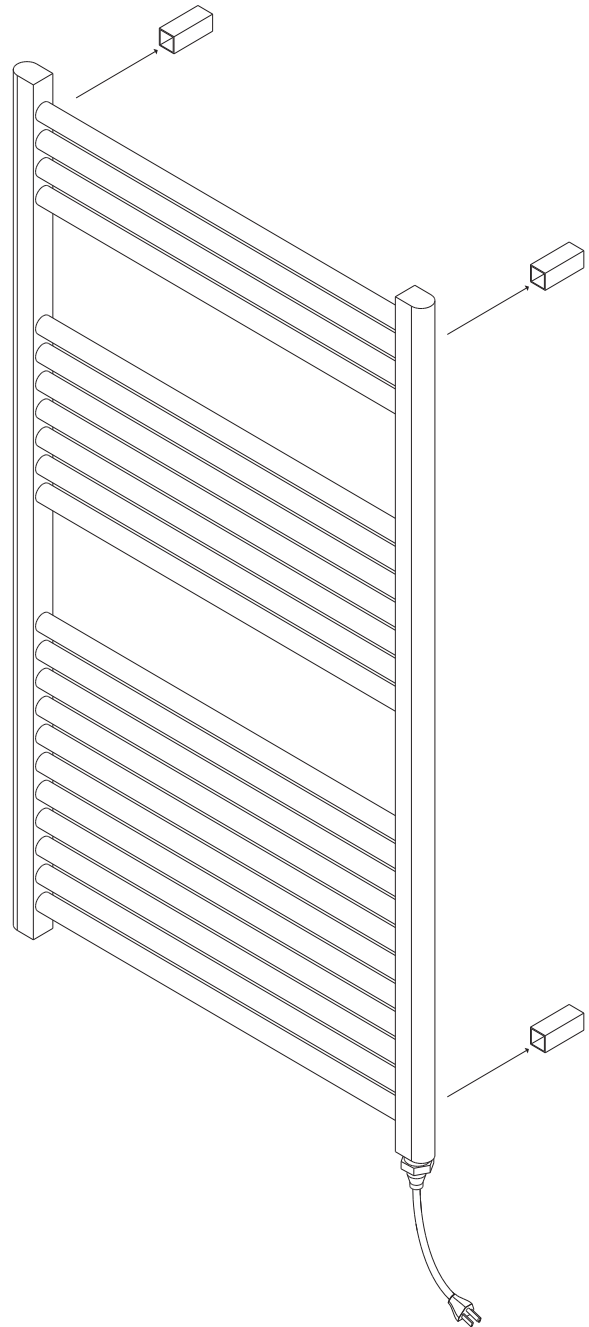
STEP 1

*ALL DIMENSIONS ARE APPROXIMATE FOR
BLOCKING PURPOSES, PLEASE MEASURE UNIT



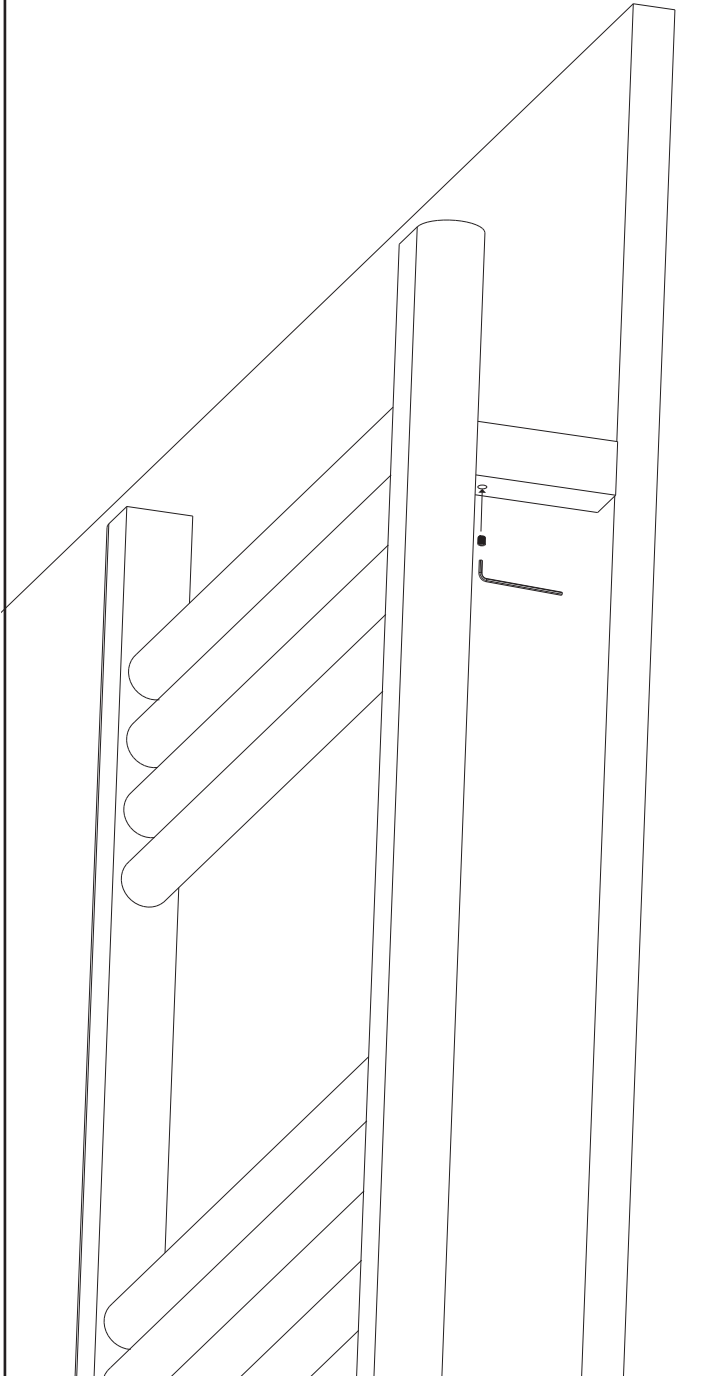
WE RECOMMEND THAT AT LEAST
2 OF THE WALL BRACKETS ARE
SECURED INTO A STUD OR BACKER

STEP 2



STEP 3

TIGHTEN SET SCREWS
(ONE PER BRAK CET)



denby towel warmer,
plug-in

