

artos[®]

M11160W

INSTALLATION GUIDE

denby towel warmer,
hardwired

BRUSHED NICKEL(BN)



CHROME(CH)



POLISHED NICKEL(PN)



BLACK(BK)



artos[®]

M11160W

denby towel warmer,
hardwired

OPERATING SPECIFICATIONS



FEATURES

Towel warming, drying and auxiliary heating.

ELEMENT

400W, 110V

CODES

UL Approved
CSA-US Approved

REQUIREMENTS

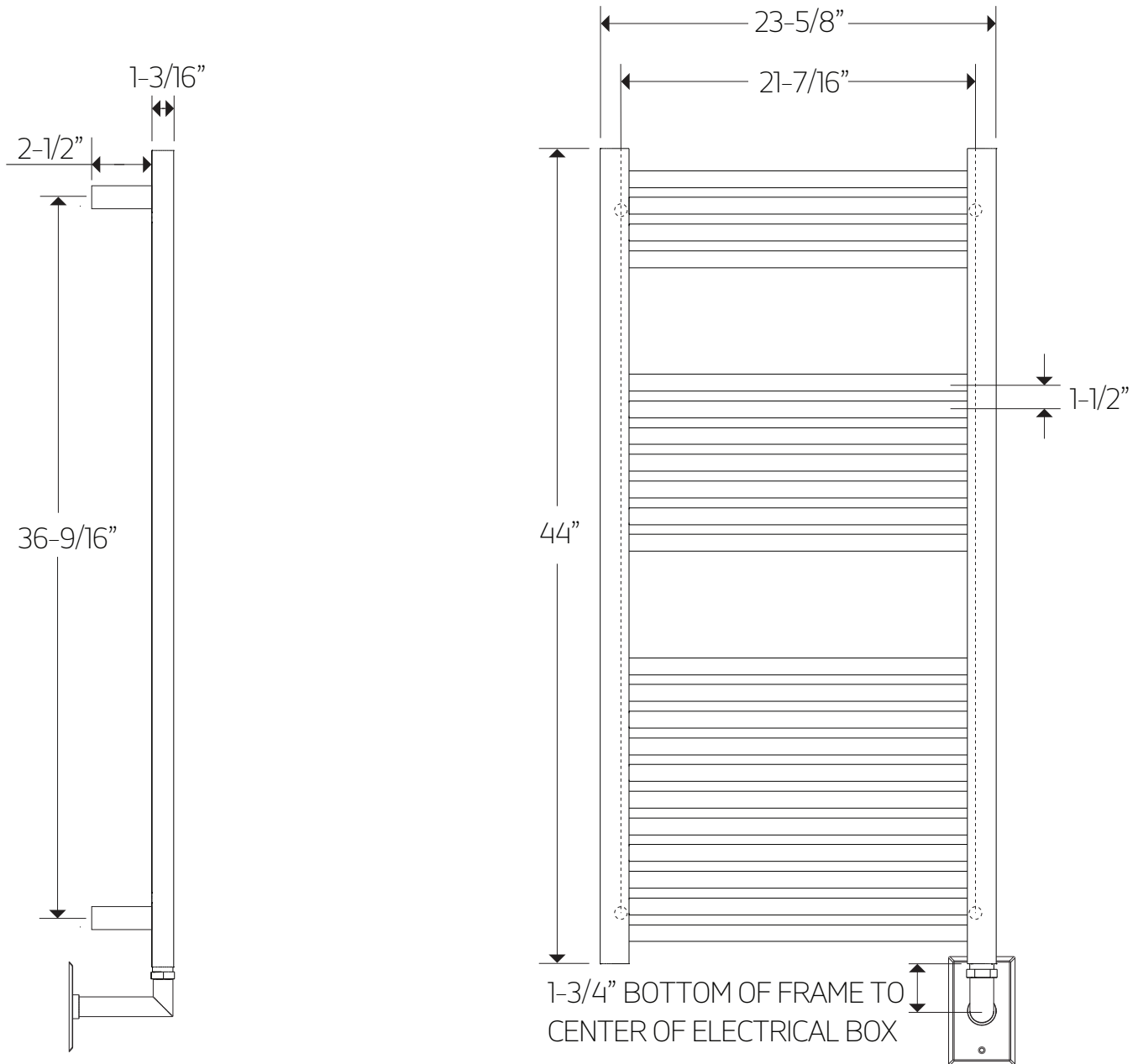
The towel warmer must be installed so that the Element is at the bottom.

artos[®]

M11160W

PRODUCT DIMENSIONS

denby towel warmer,
hardwired



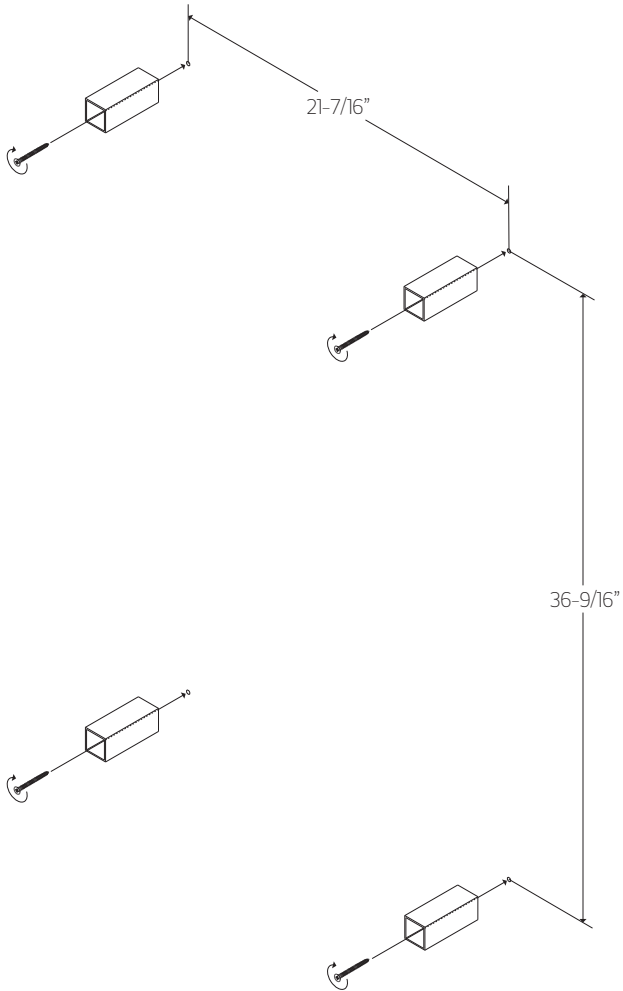
artos[®]

M11160W

denby towel warmer,
hardwired

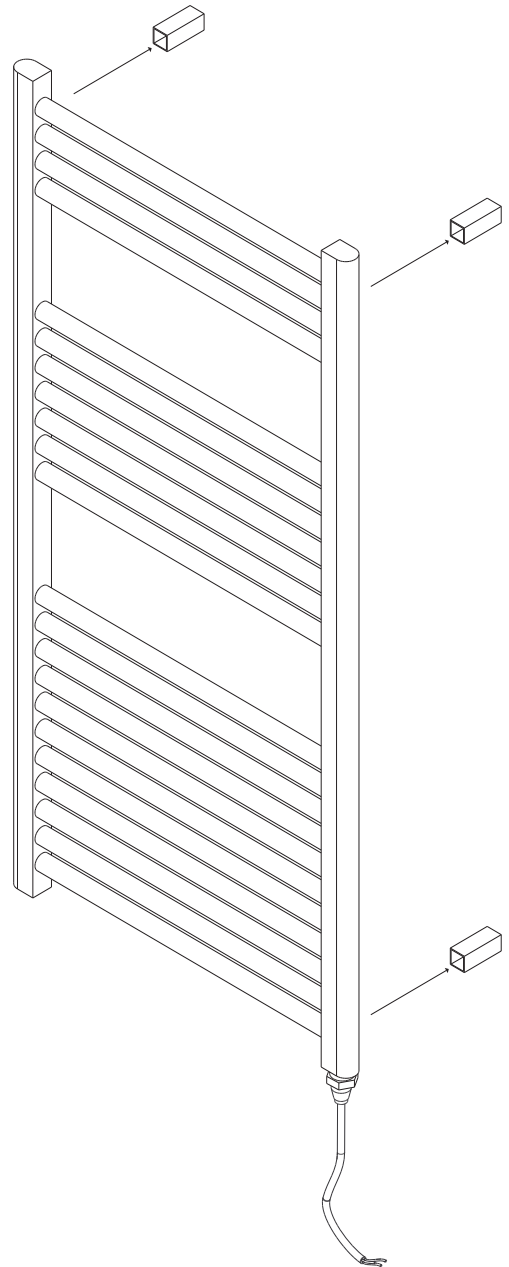
STEP 1

*ALL DIMENSIONS ARE APPROXIMATE FOR
BLOCKING PURPOSES, PLEASE MEASURE UNIT



WE RECOMMEND THAT AT LEAST
2 OF THE WALL BRACKETS ARE
SECURED INTO A STUD OR BACKER

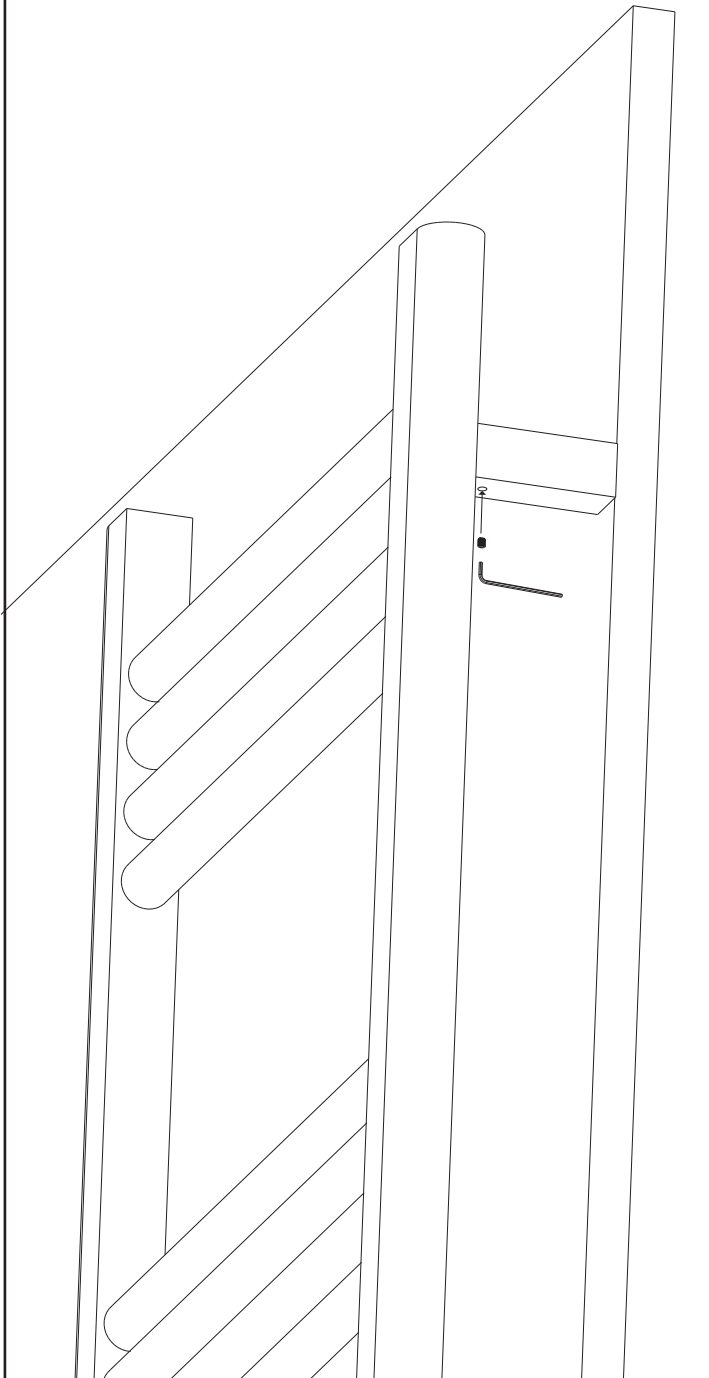
STEP 2



INSTALLATION STEPS

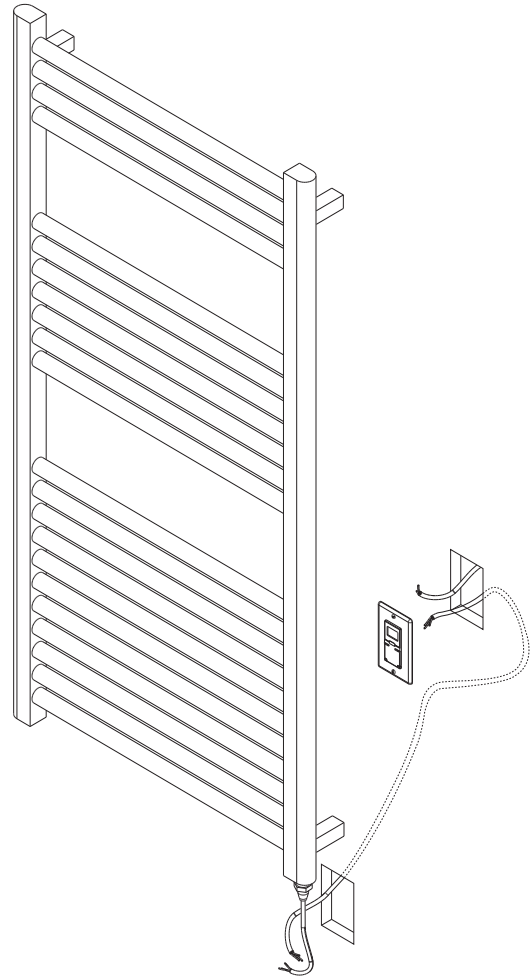
STEP 3

TIGHTEN SET SCREWS
(ONE PER BRACKET)

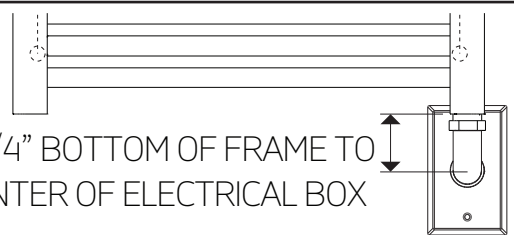


STEP 4

CHOOSE TIMER POSITION
TO SUIT SITUATION



1-3/4" BOTTOM OF FRAME TO
CENTER OF ELECTRICAL BOX



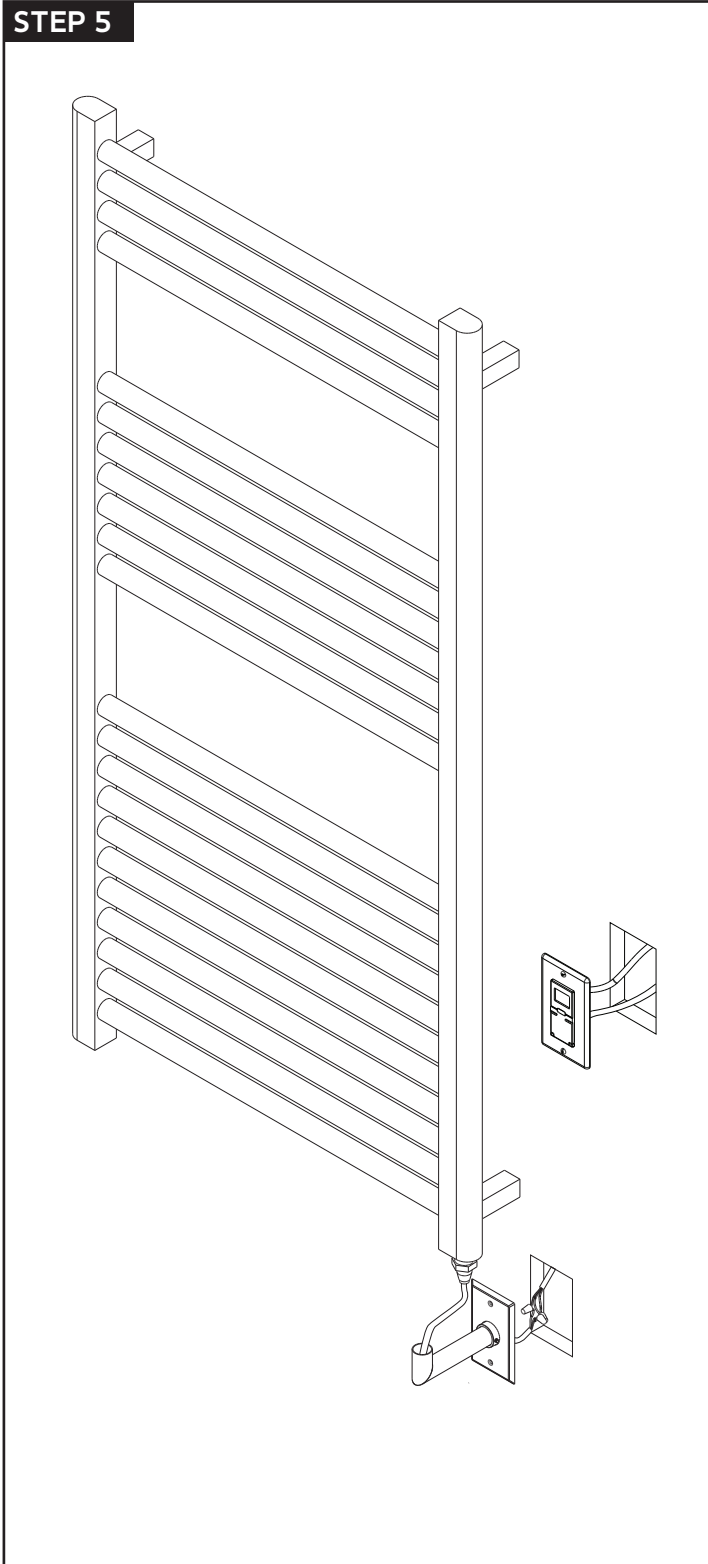
artos[®]

M11160W

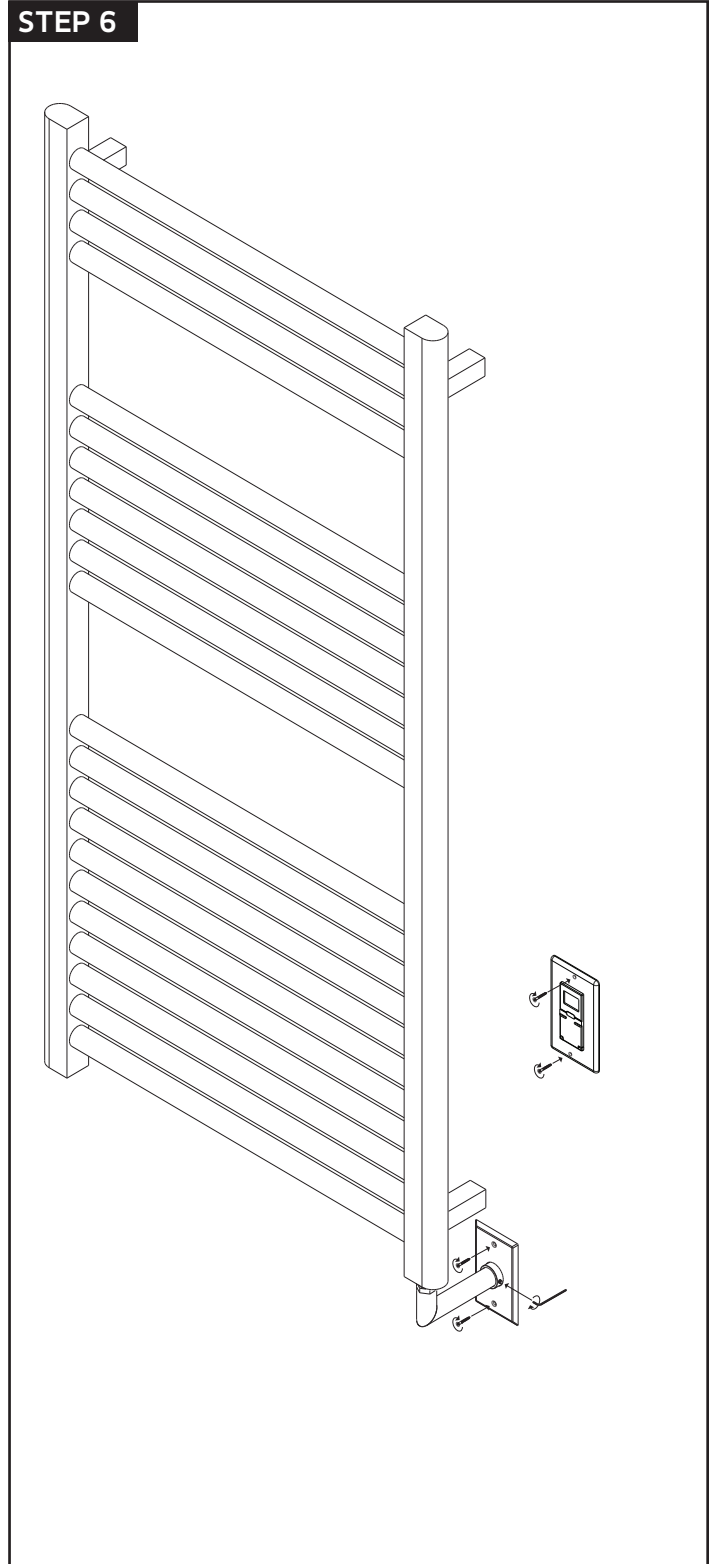
denby towel warmer,
hardwired

INSTALLATION STEPS

STEP 5



STEP 6



denby towel warmer,
hardwired

