

artos[®]

M11145W

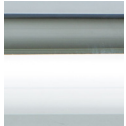
INSTALLATION GUIDE

denby towel warmer,
hardwired

BRUSHED NICKEL(BN)



CHROME(CH)



POLISHED NICKEL(PN)



BLACK(BK)



artos[®]

M11145W

denby towel warmer,
hardwired

OPERATING SPECIFICATIONS



FEATURES

Towel warming, drying and auxiliary heating.

ELEMENT

300W, 110V

CODES

UL Approved

CSA-US Approved

REQUIREMENTS

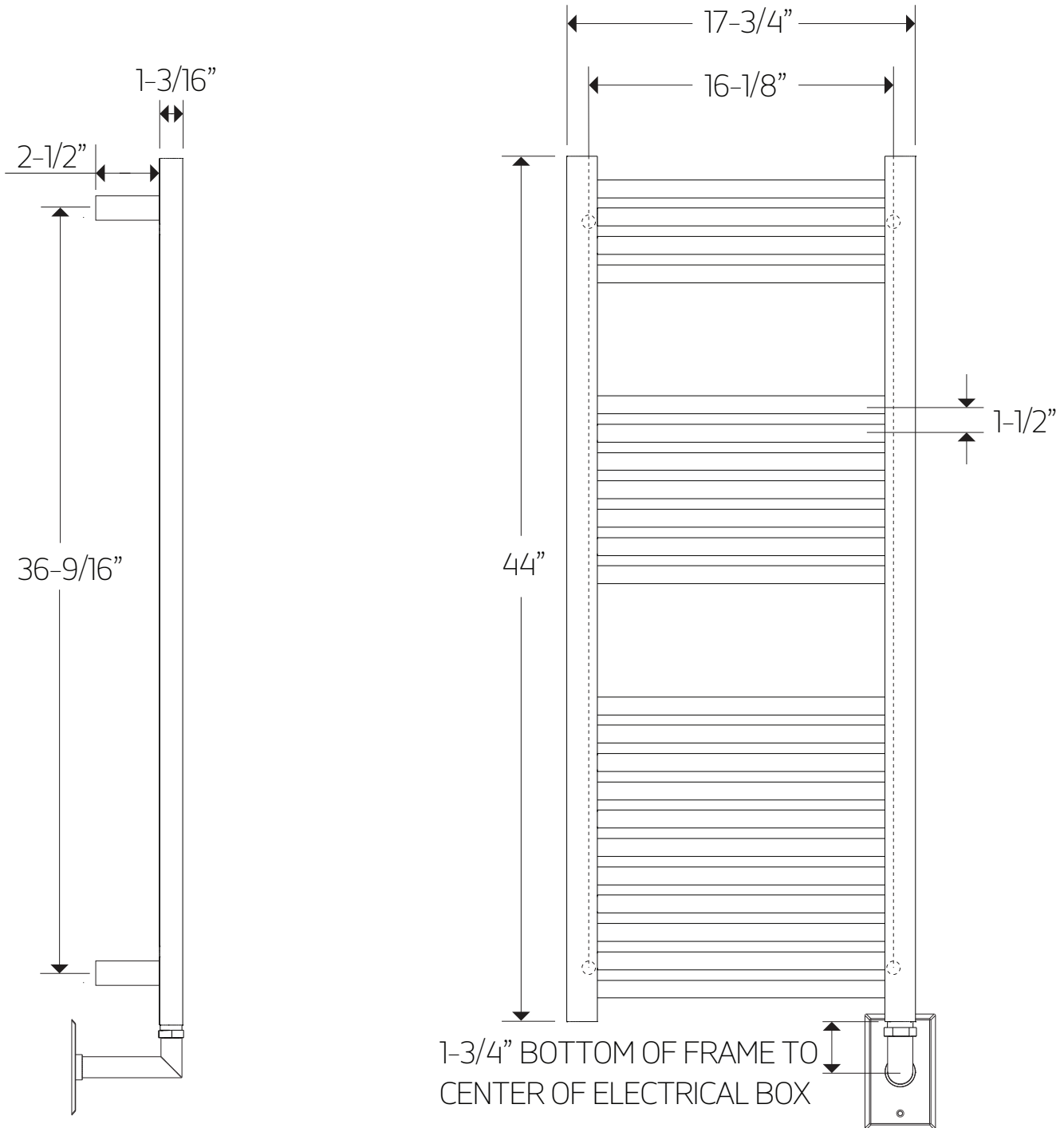
The towel warmer must be installed so that the Element is at the bottom.

artos[®]

M11145W

PRODUCT DIMENSIONS

denby towel warmer,
hardwired



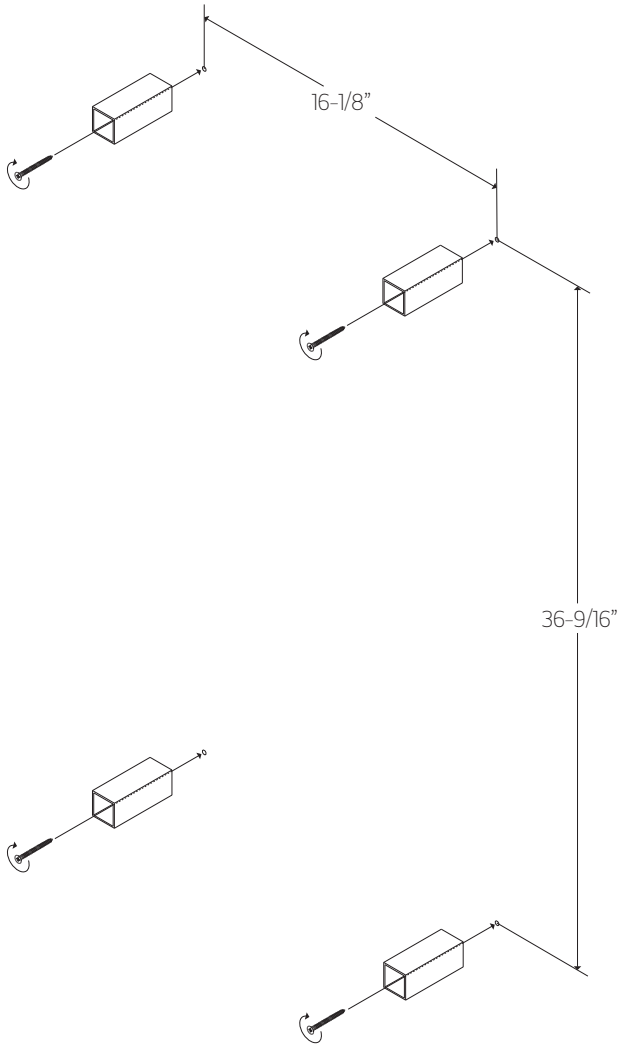
artos[®]

M11145W

denby towel warmer,
hardwired

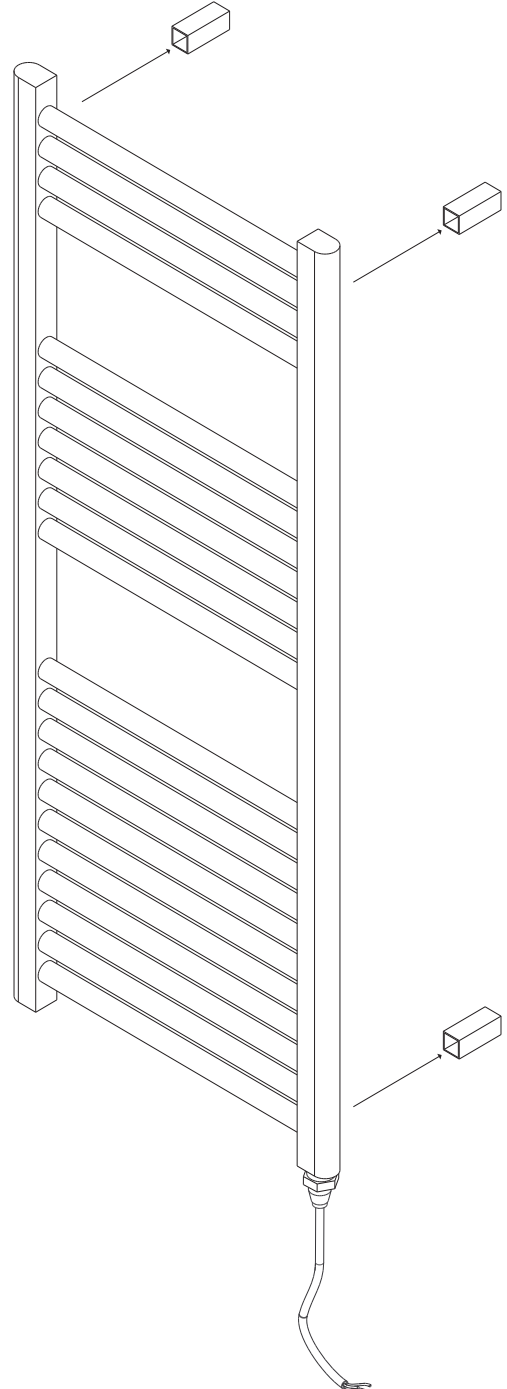
STEP 1

*ALL DIMENSIONS ARE APPROXIMATE FOR
BLOCKING PURPOSES, PLEASE MEASURE UNIT



WE RECOMMEND THAT AT LEAST
2 OF THE WALL BRACKETS ARE
SECURED INTO A STUD OR BACKER

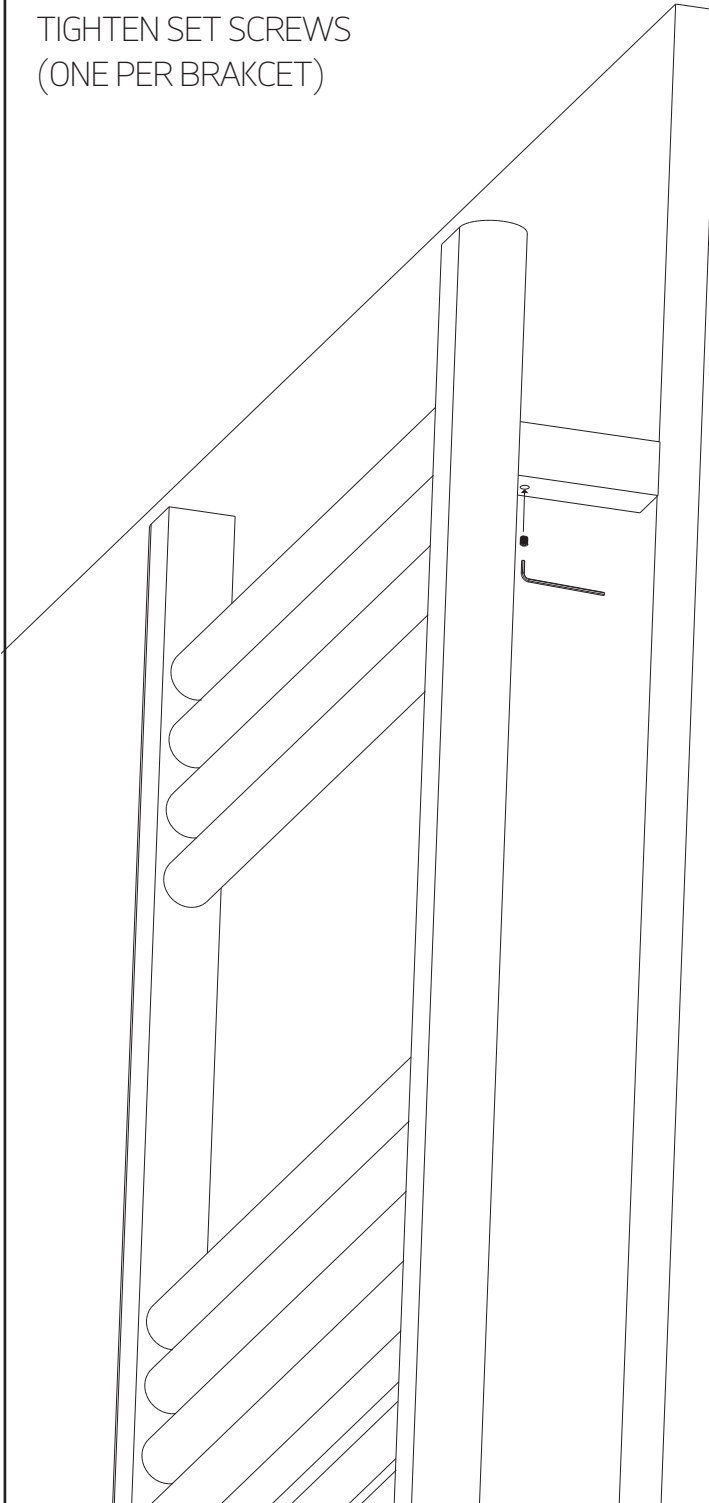
STEP 2



INSTALLATION STEPS

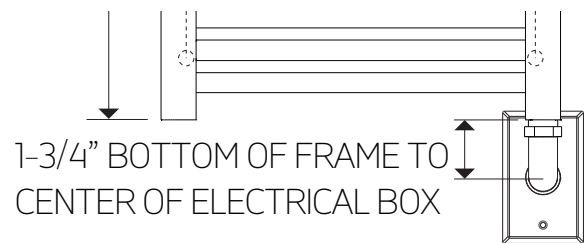
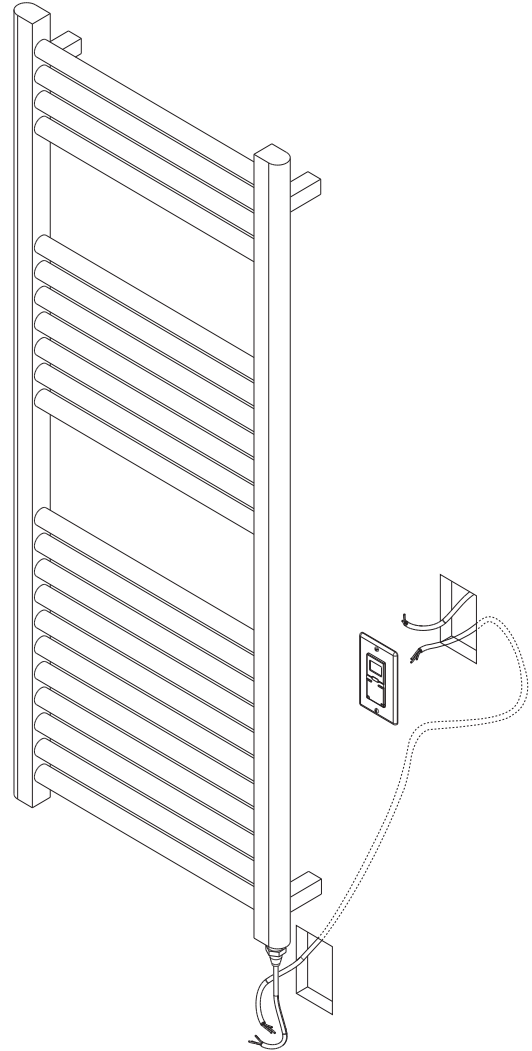
STEP 3

TIGHTEN SET SCREWS
(ONE PER BRACKET)



STEP 4

CHOOSE TIMER POSITION
TO SUIT SITUATION



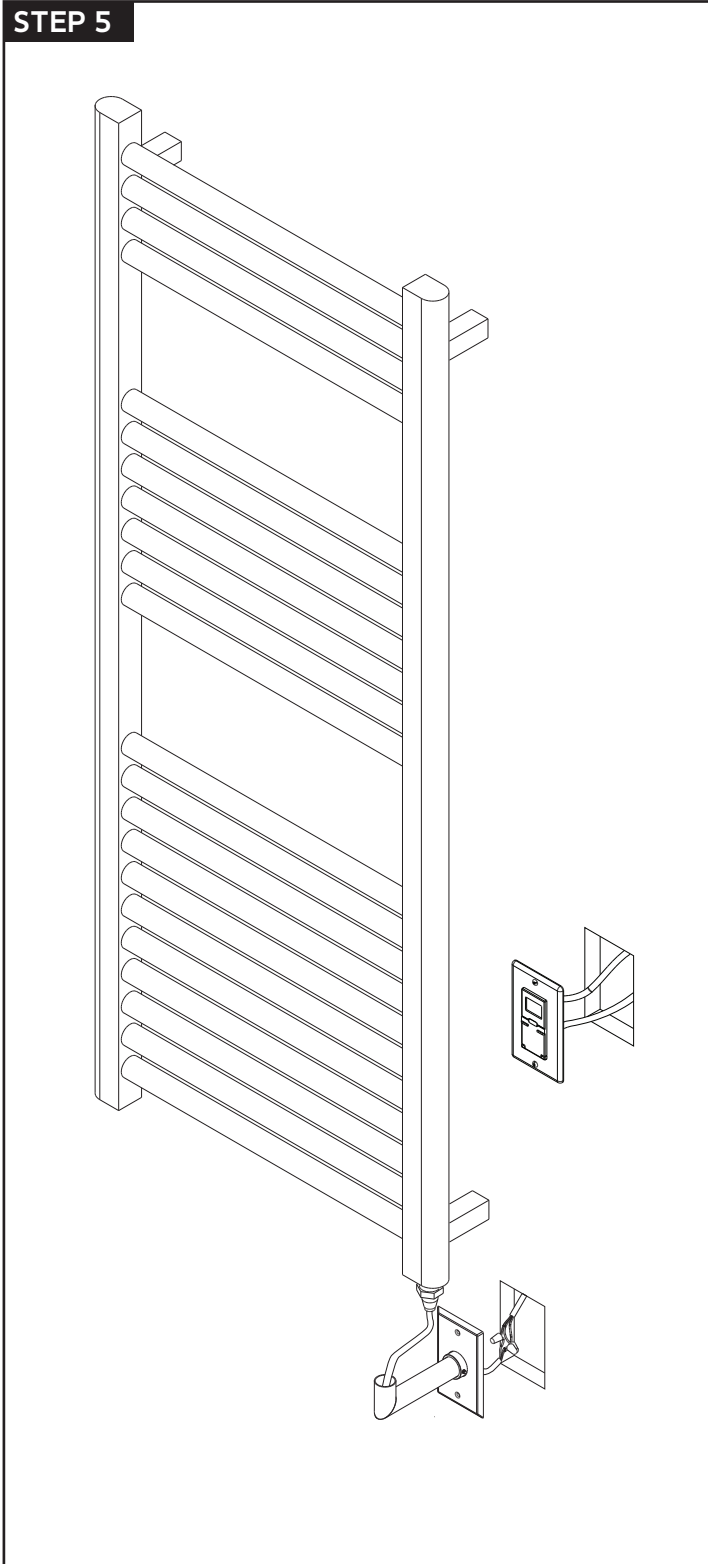
artos[®]

M11145W

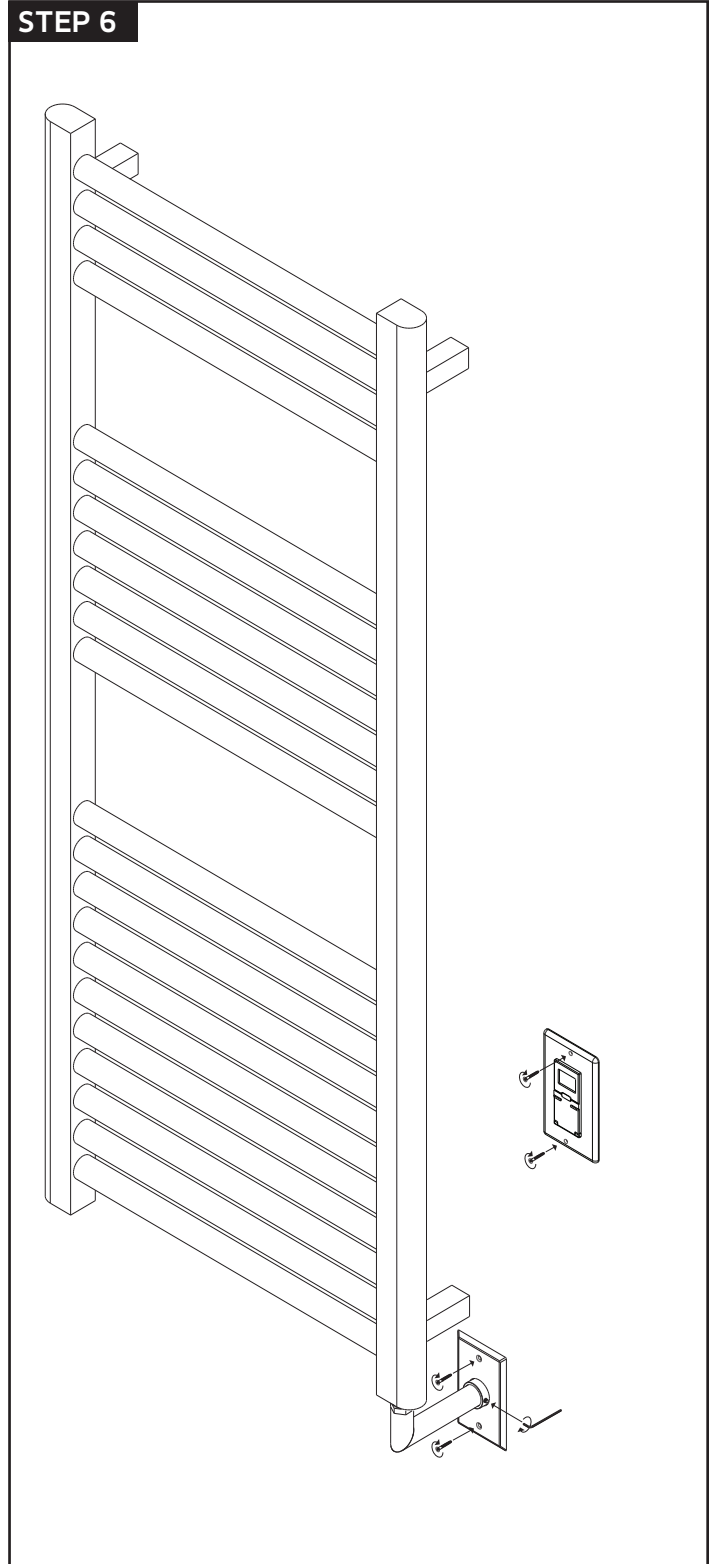
denby towel warmer,
hardwired

INSTALLATION STEPS

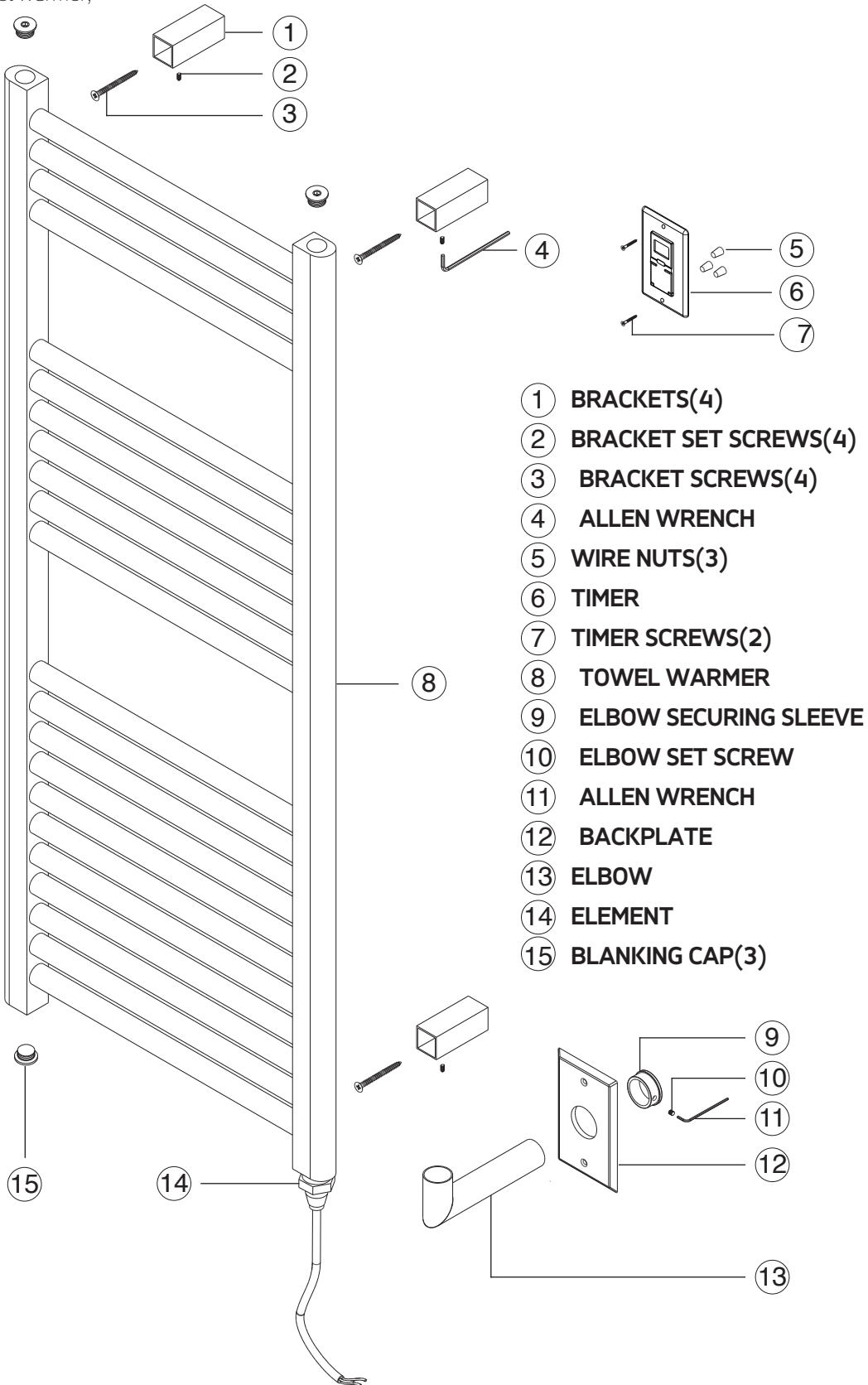
STEP 5



STEP 6



denby towel warmer,
hardwired



- ① BRACKETS(4)
- ② BRACKET SET SCREWS(4)
- ③ BRACKET SCREWS(4)
- ④ ALLEN WRENCH
- ⑤ WIRE NUTS(3)
- ⑥ TIMER
- ⑦ TIMER SCREWS(2)
- ⑧ TOWEL WARMER
- ⑨ ELBOW SECURING SLEEVE
- ⑩ ELBOW SET SCREW
- ⑪ ALLEN WRENCH
- ⑫ BACKPLATE
- ⑬ ELBOW
- ⑭ ELEMENT
- ⑮ BLANKING CAP(3)