

artos[®]

M06860W

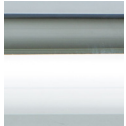
INSTALLATION GUIDE

denby towel warmer,
hardwired

BRUSHED NICKEL(BN)



CHROME(CH)



POLISHED NICKEL(PN)



BLACK(BK)



M06860W

denby towel warmer,
hardwired

OPERATING SPECIFICATIONS



FEATURES

Towel warming, drying and auxiliary heating.

ELEMENT

300W, 110V

CODES

UL Approved
CSA-US Approved

REQUIREMENTS

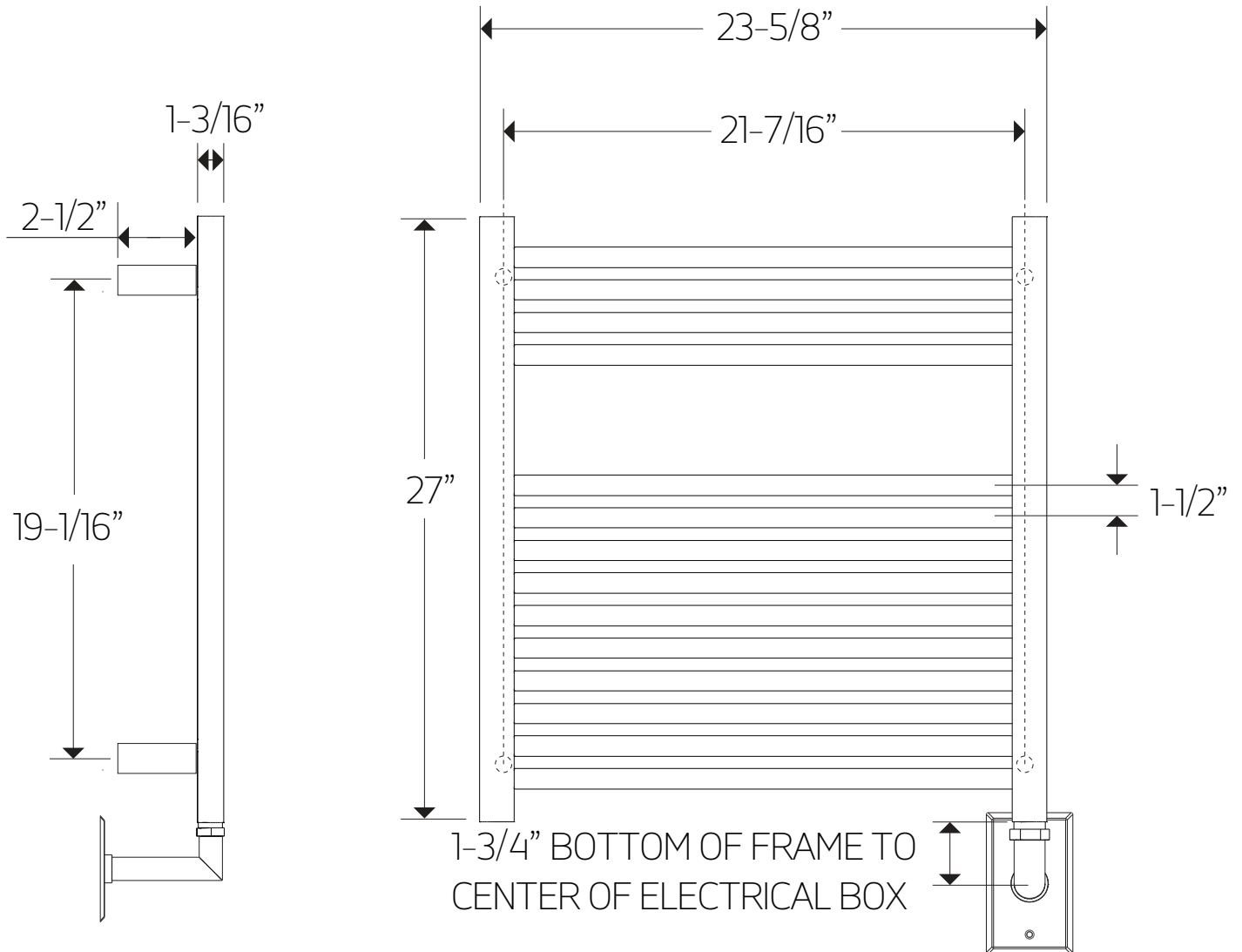
The towel warmer must be installed so that the Element is at the bottom.

artos[®]

M06860W

PRODUCT DIMENSIONS

denby towel warmer,
hardwired

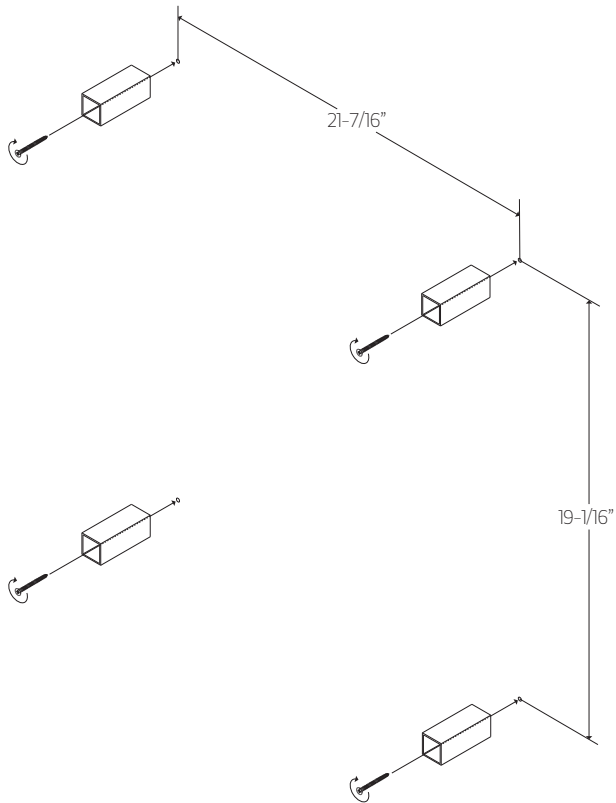


M06860W

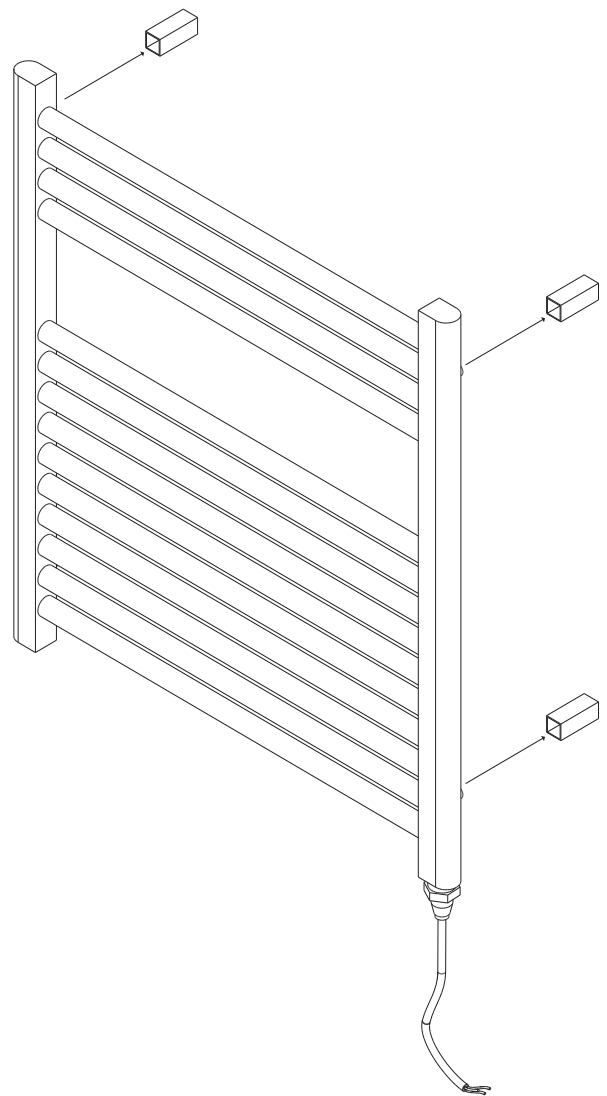
denby towel warmer,
hardwired

STEP 1

*DIMENSIONS ARE APPROXIMATE FOR
BLOCKING PURPOSES, PLEASE MEASURE UNIT



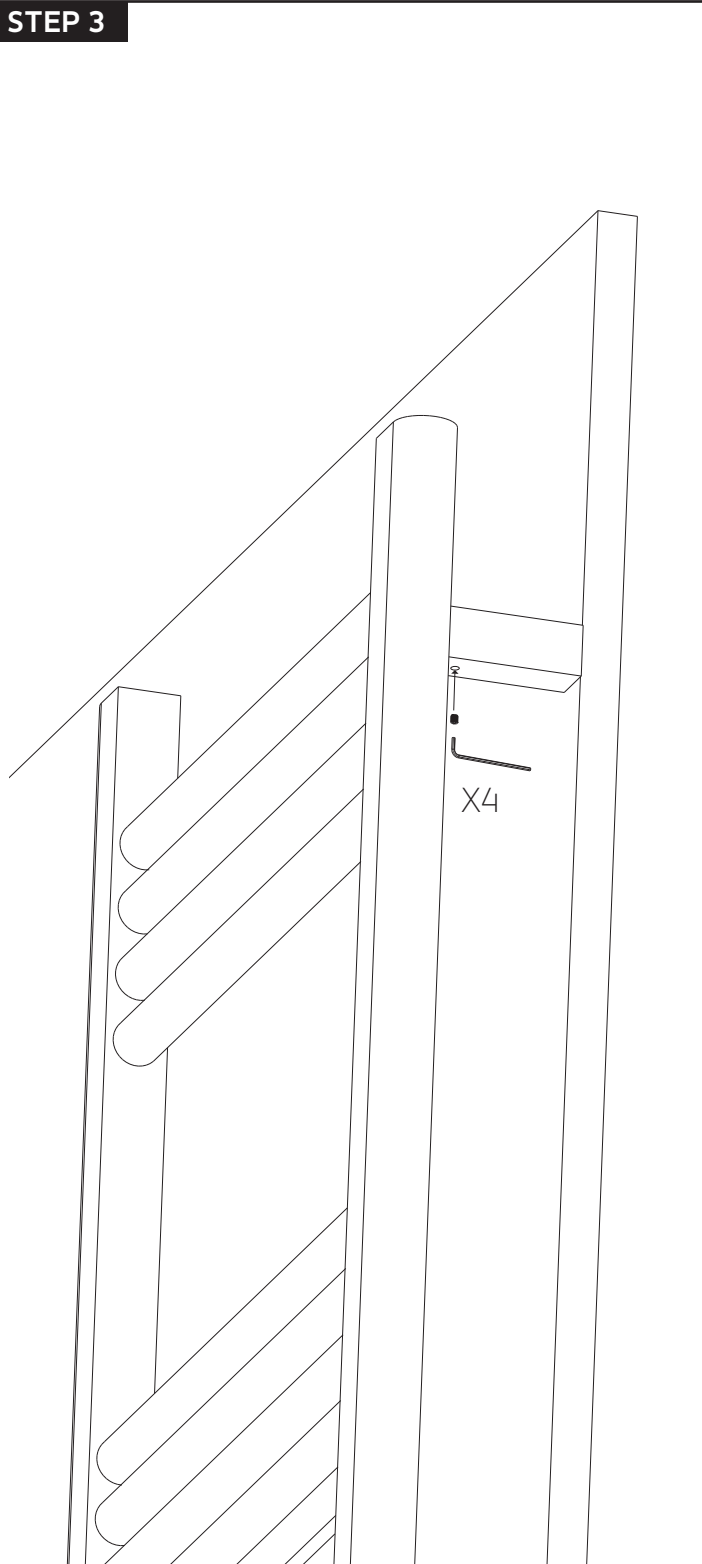
STEP 2



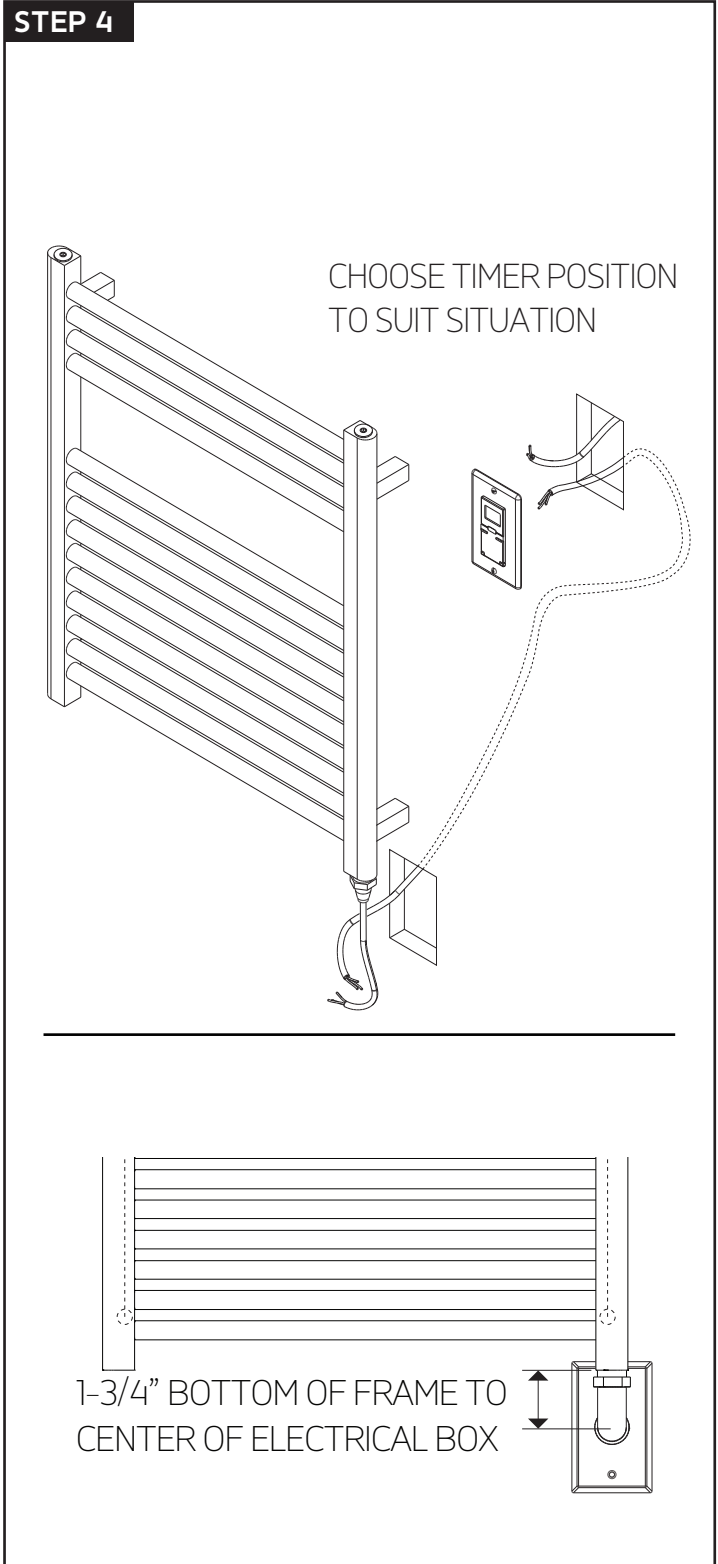
WE RECOMMEND THAT AT LEAST
2 OF THE WALL BRACKETS ARE
SECURED INTO A STUD OR BACKER

INSTALLATION STEPS

STEP 3



STEP 4

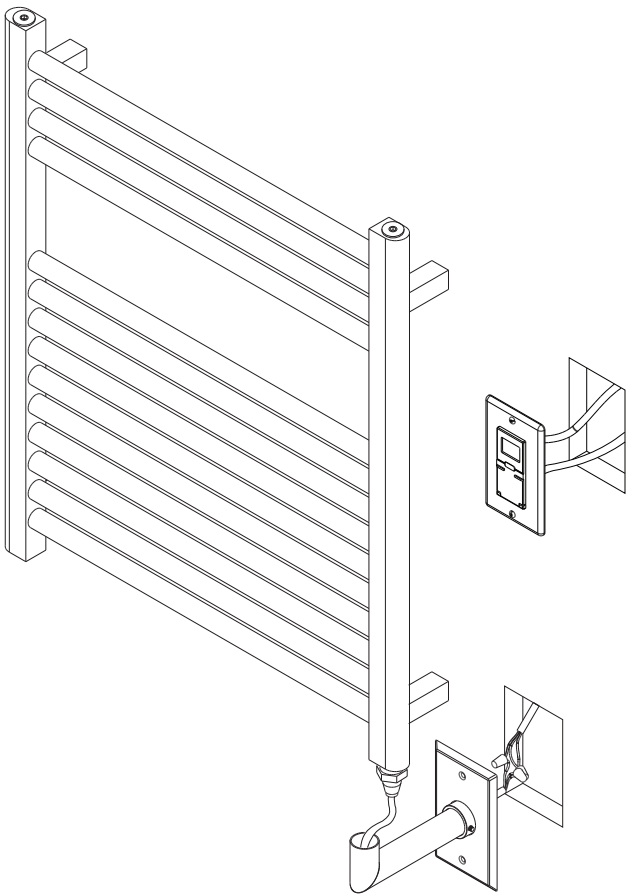


M06860W

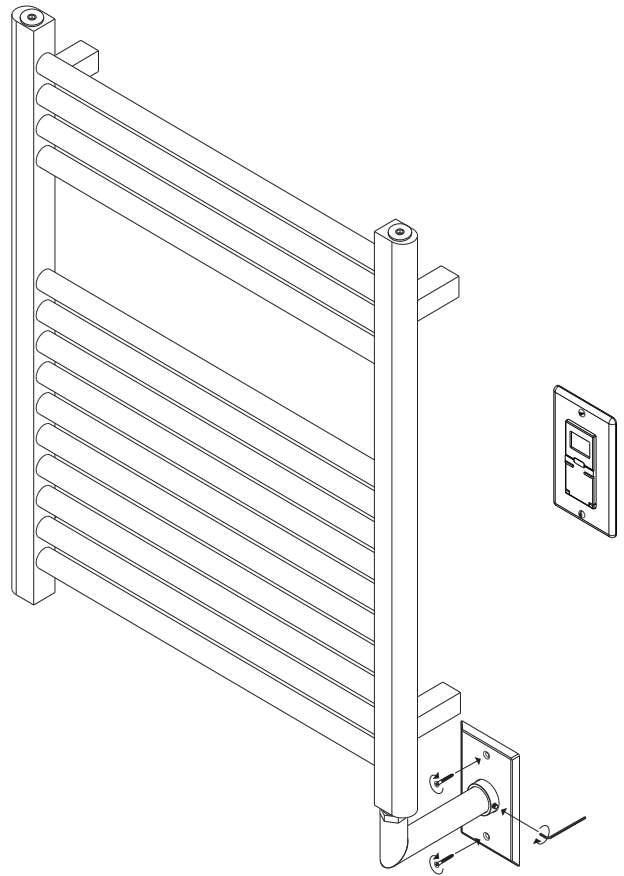
INSTALLATION STEPS

denby towel warmer,
hardwired

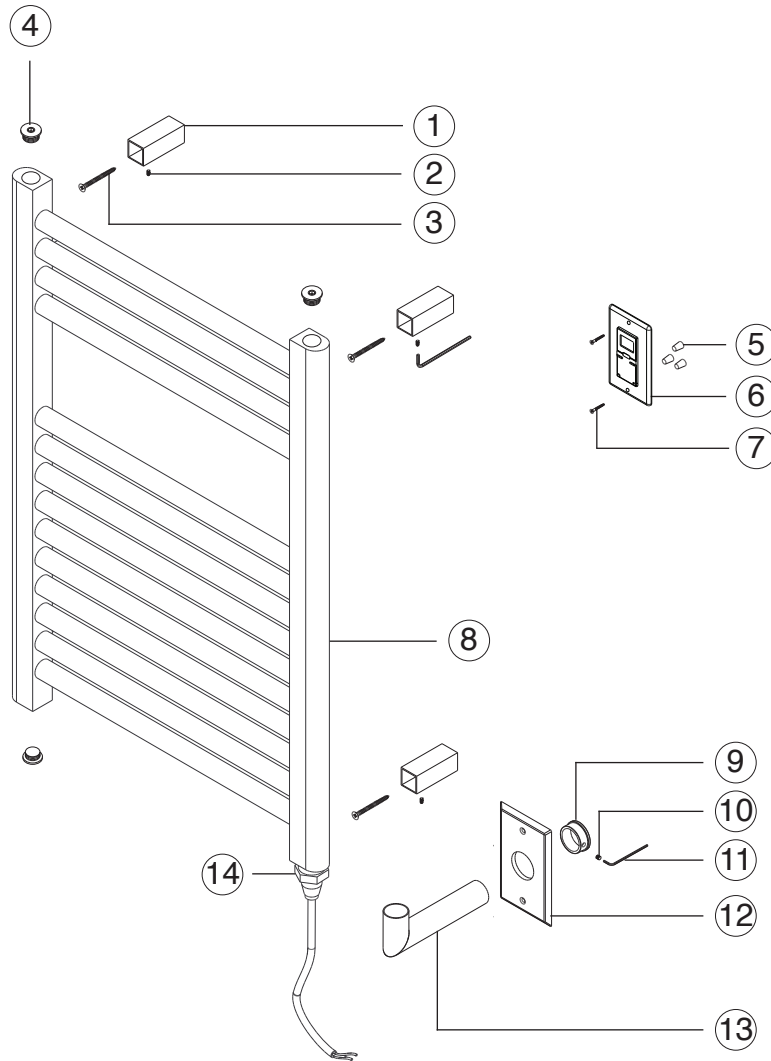
STEP 5



STEP 6



denby towel warmer,
hardwired



- | | |
|-------------------------|-------------------|
| ① WALL BRACKET(4) | ⑩ ELBOW SET SCREW |
| ② BRACKET SET SCREW(4) | ⑪ ALLEN WRENCH |
| ③ BRACKET SCREW(4) | ⑫ BACKPLATE |
| ④ BLANKING CAP(3) | ⑬ ELBOW |
| ⑤ WIRE NUTS(3) | ⑭ ELEMENT |
| ⑥ TIMER | |
| ⑦ TIMER SCREWS(2) | |
| ⑧ TOWEL WARMER | |
| ⑨ ELBOW SECURING SLEEVE | |