

FS511TK

Classic Floor Mount Tub Filler Trim Kit with Hand
Held Shower

artos®

INSTALLATION GUIDE



FS511TK

Classic Floor Mount Tub Filler Trim Kit with Hand Held Shower

artos®

OPERATING SPECIFICATIONS



OPERATING PRESSURE

Minimum: 15psi

Maximum: 75psi

Recommended: 20psi-70psi

Above 90psi it may be necessary to install a pressure reducer

Operating pressures (on hot and cold lines) should be kept as balanced as possible, in order to assure the maximum efficiency.

OPERATING TEMPERATURE

Maximum: 176°

FLOW RATE

1.2 USGPM

REQUIREMENTS

FS500V Floor Mount Tub Filler Valve

FEATURES

Removable Shower Wand

150cm Wand Reach

Easy Clean Jet Nozzles

STANDARDS



All technical specifications, product details, and pricing are subject to change without prior notice. Artos makes every effort to ensure accuracy; however, errors or omissions may occur. It is the responsibility of the installer, designer, or purchaser to verify all critical dimensions, installation requirements, and compliance with applicable codes prior to use.

Artos assumes no liability for damages, losses, or injuries resulting from the use of this documentation or from product installation, operation, or maintenance performed outside of Artos instructions and applicable codes. Product warranties are limited to those expressly stated by Artos. Please refer to official warranty documentation for complete terms and conditions.

All drawings, manuals, and specifications are the property of Artos and may not be reproduced, distributed, or altered without prior written permission.

FS511TK

artos®

Classic Floor Mount Tub Filler Trim Kit with Hand Held Shower

INDEX

INDEX

Product Dimensions.....pg:4

Classic Floor Mount Tub Filler Trim Kit with Hand Held Shower FS511TK.....pg:5-11

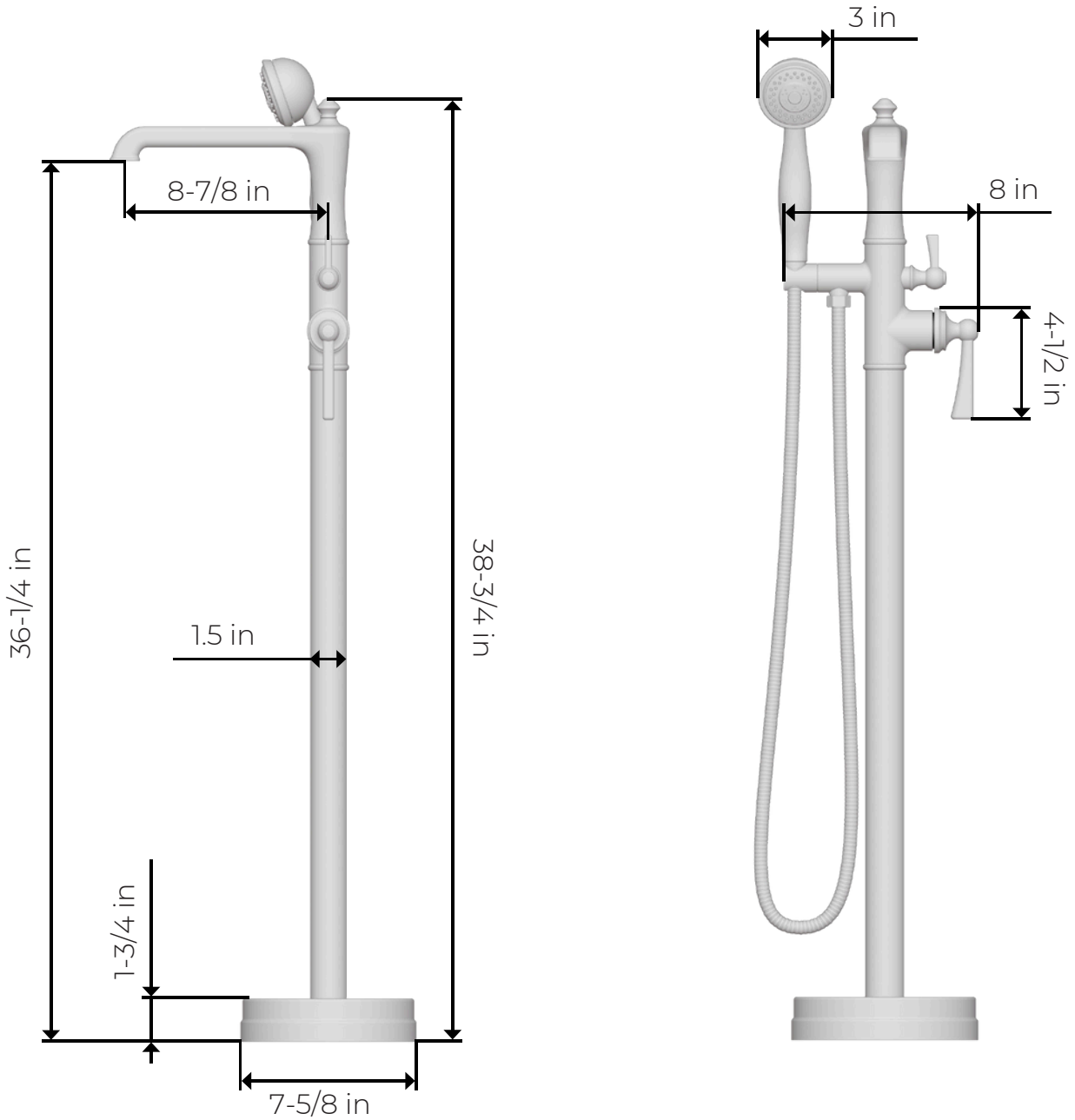
Parts Breakdown FS511TK.....pg:12

FS511TK

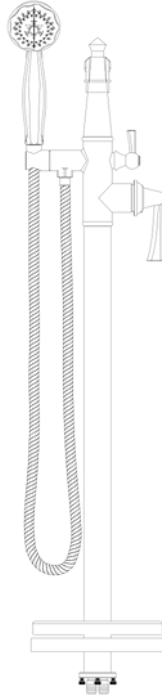
Classic Floor Mount Tub Filler Trim Kit with Hand Held Shower

artos®

PRODUCT DIMENSIONS



STEP 1

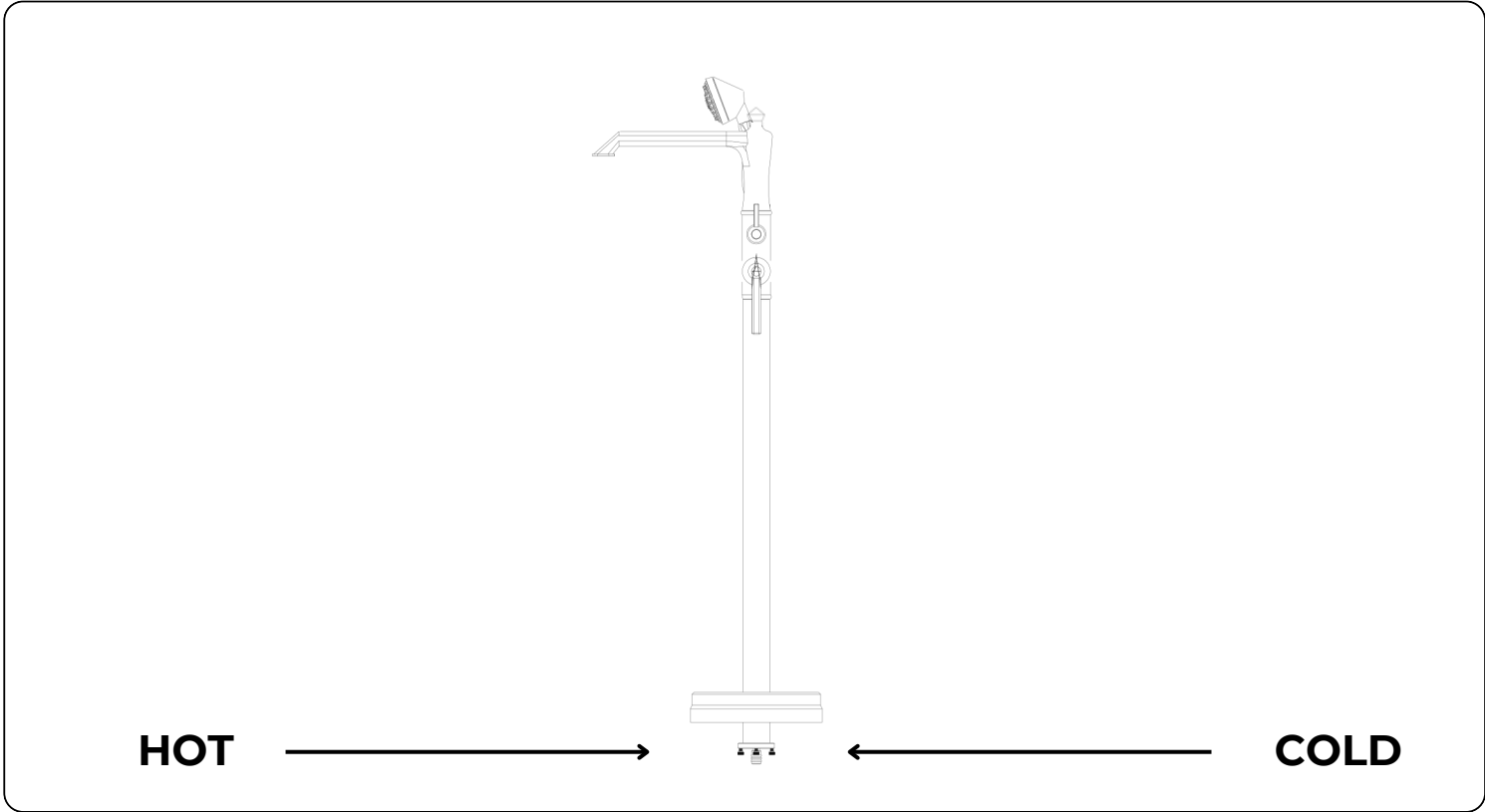


Safety Warnings

- Shut off the main or local water supply before beginning installation.
- Use caution when handling sharp tools and metal parts.
- Do not overtighten connections, as this may damage components or create leaks.
- Wear the included protective gloves throughout installation to prevent injury and protect the finish of the components.

Before beginning, verify that all parts and tools required for installation are available. Review the installation diagram in the parts breakdown at the end of this manual.

STEP 2

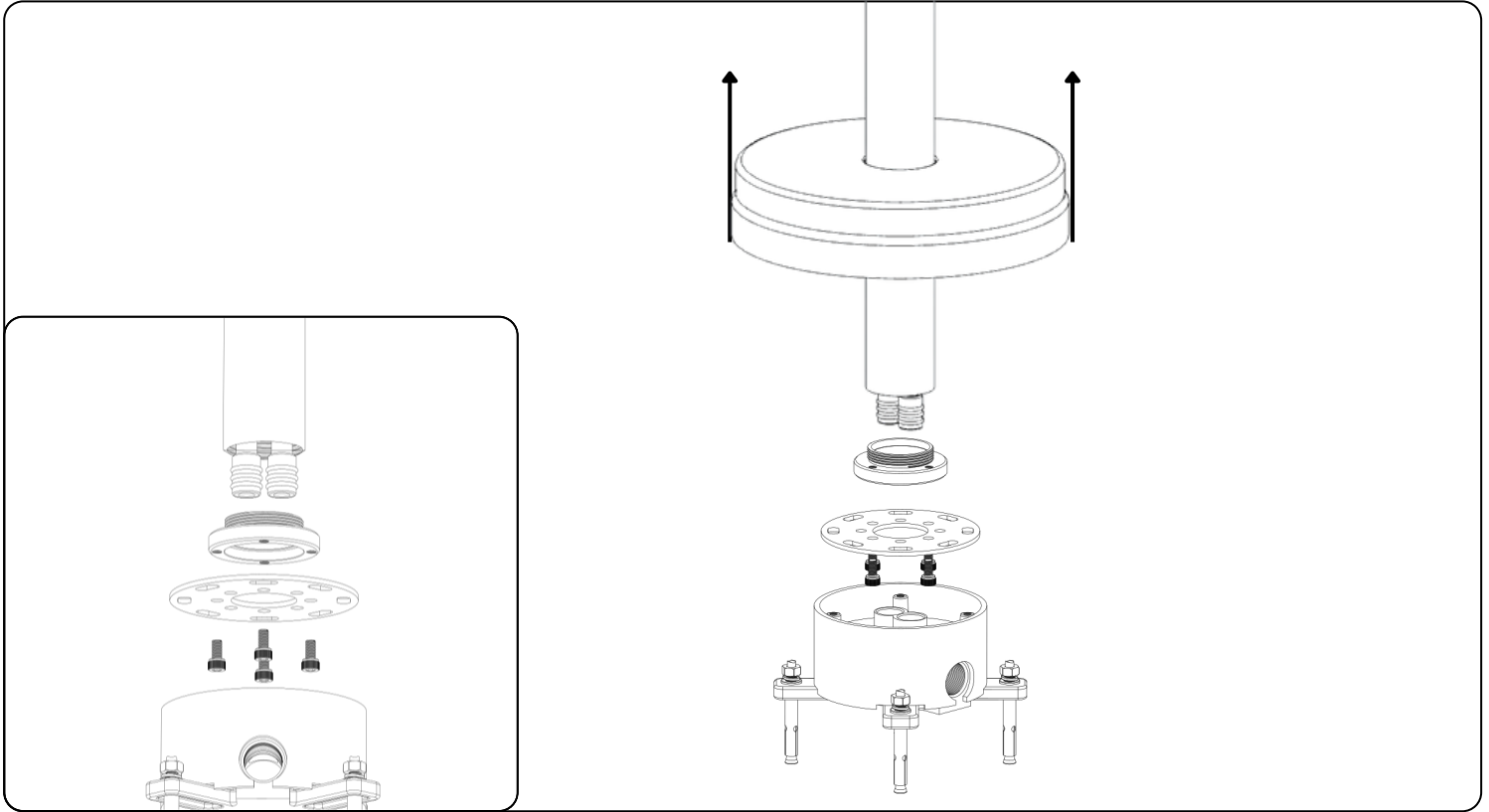


Ensure that the FS500V tub filler valve is securely installed according to its manual in the subfloor and positioned 1" to 3" (25–76 mm) below the finished floor surface. The valve must be completely level to ensure proper function and trim alignment.

Confirm that the valve is oriented correctly: the **hot inlet should face the tub** or faucet outlet, while the **cold inlet should face away** from it. This orientation minimizes stress on the supply lines and ensures a lasting seal on the tub filler connection.

If adjustments are required, reposition the valve and verify the level using the bullseye leveling cap before proceeding.

STEP 3

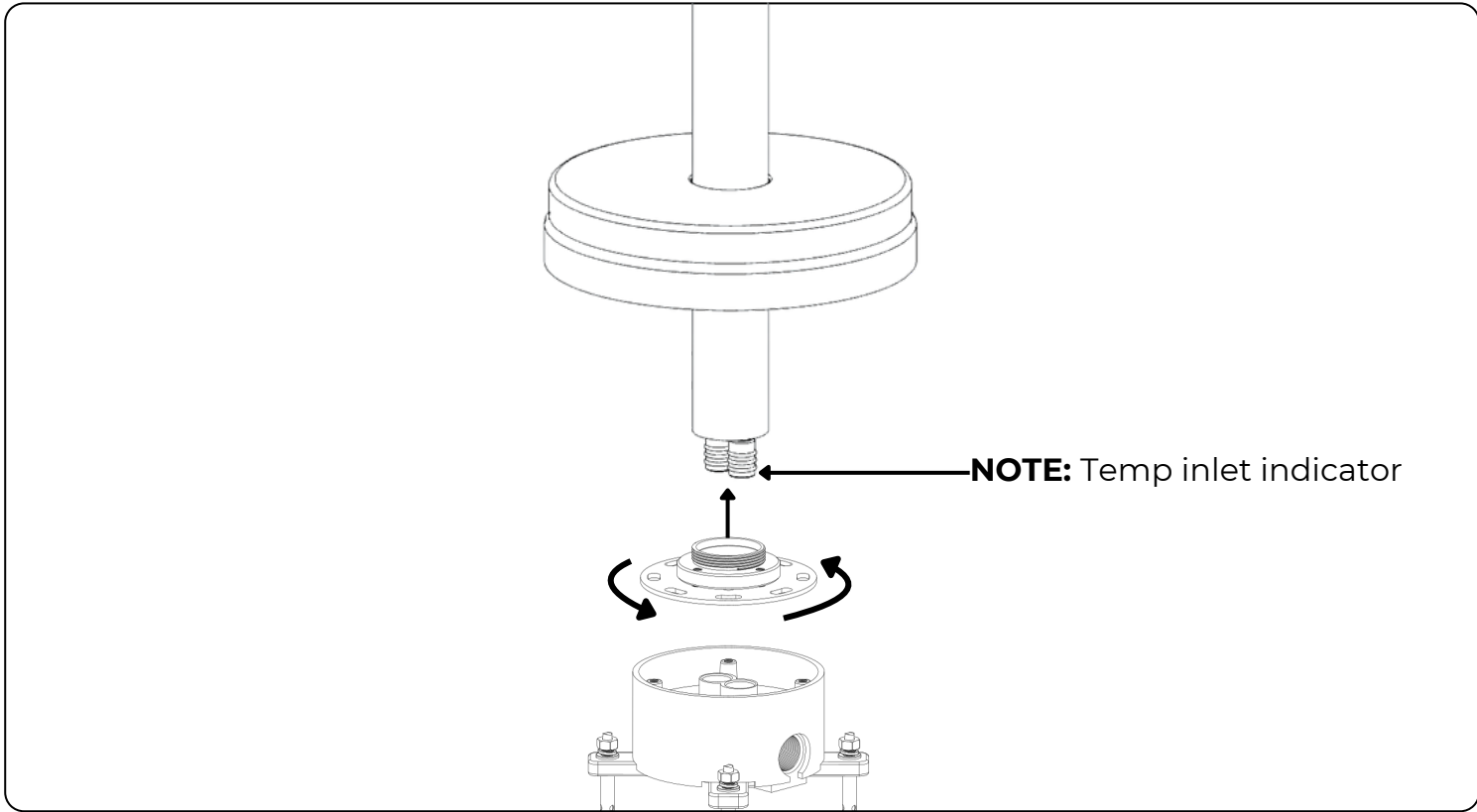


Remove the base plate from the FS500V valve, and carefully remove the tub filler body from its packaging. Remove the base securing nut from the tub filler pipe.

Next, slide the escutcheon (decorative cover plate) over the tub filler assembly, ensuring the inner rubber ring inside the escutcheon is properly seated. This seal prevents water intrusion and keeps the escutcheon from scratching the tub filler pipe.

Secure the FS500V base plate to the base securing nut with the securing M6 bolts included with the tub filler.

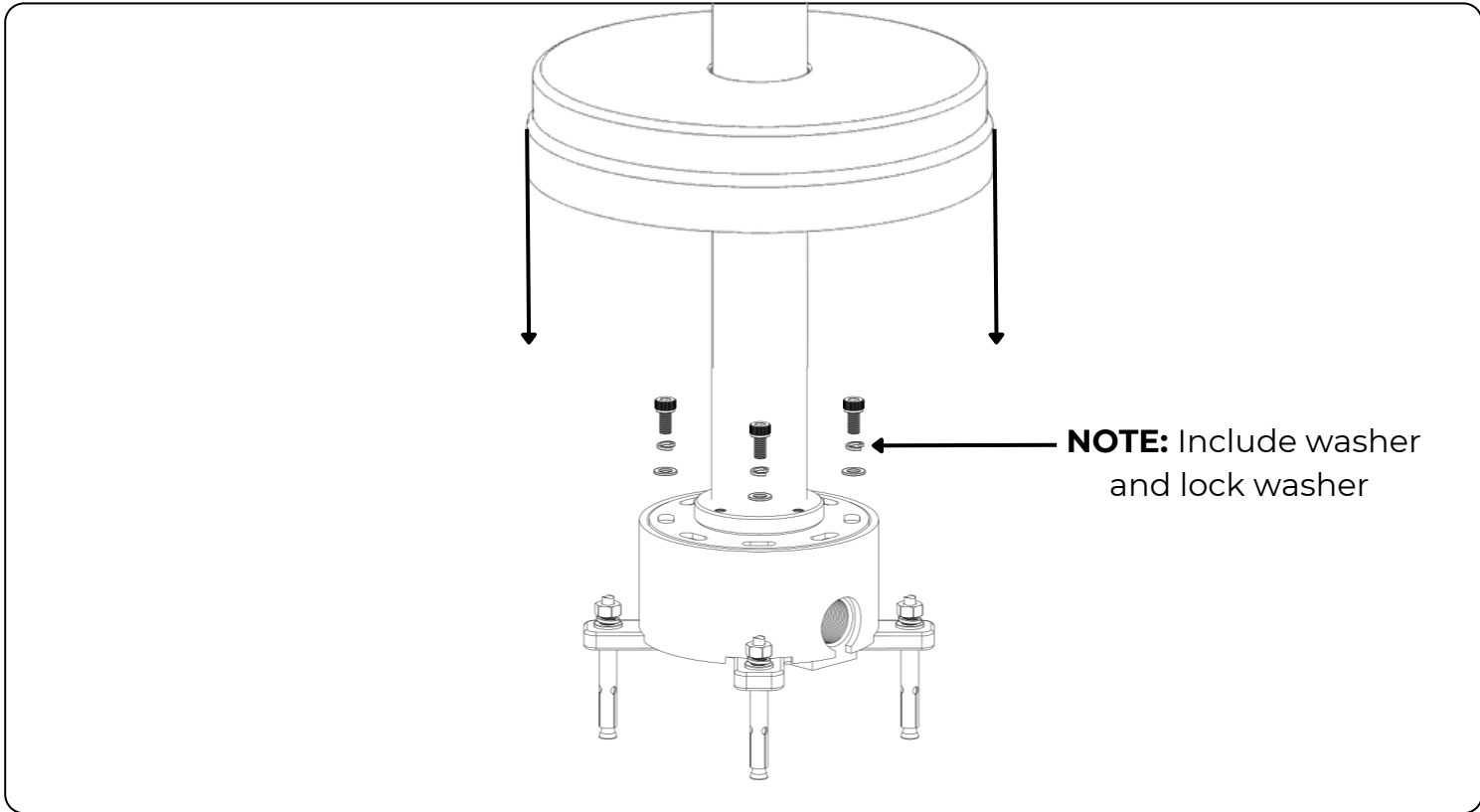
STEP 4



Re-thread the base plate securing nut with the attached base plate onto the tub filler pipe with a clockwise motion

Align the tub filler inlet pipes with the corresponding outlets on the installed valve. Each connection is identified by a colored marking on the bottom of the tub filler inlet pipes to indicate proper placement. Gently insert each copper pipe into its respective valve outlet until fully seated. The pipes are press-fitted with 3 rubber O-rings, so no additional tightening or thread sealant is required. The triple O-ring seal creates a highly reliable connection because it forms three independent sealing points between the copper line and valve.

STEP 5

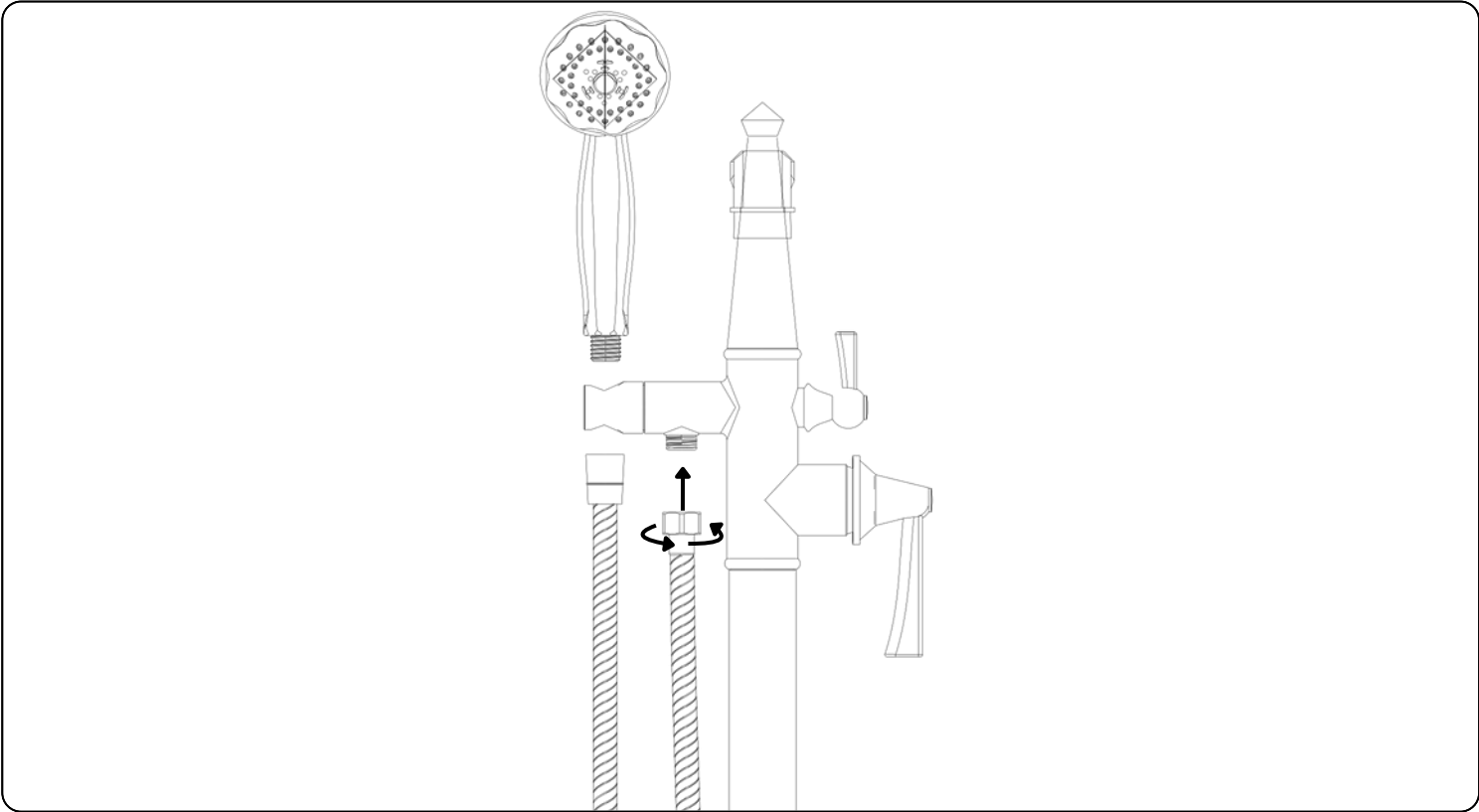


Once the tub filler is correctly seated, ensure that the brass fastening ring is snug on the tub filler base. Using the included Allen wrench and M6 Allen bolts, fasten the base plate onto the valve using the corresponding Allen Bolts. Tighten evenly to ensure a secure and level connection.

After securing, slide the escutcheon down and visually confirm that it sits flush with the finished floor and that the assembly is level and properly aligned.

NOTE: A thin, even bead of clear silicone sealant may be applied after installation around the base of the escutcheon where it meets the finished floor surface. This helps prevent moisture from entering beneath the trim and provides a clean, finished appearance. Let the silicone dry as recommended by the manufacturer.

STEP 6

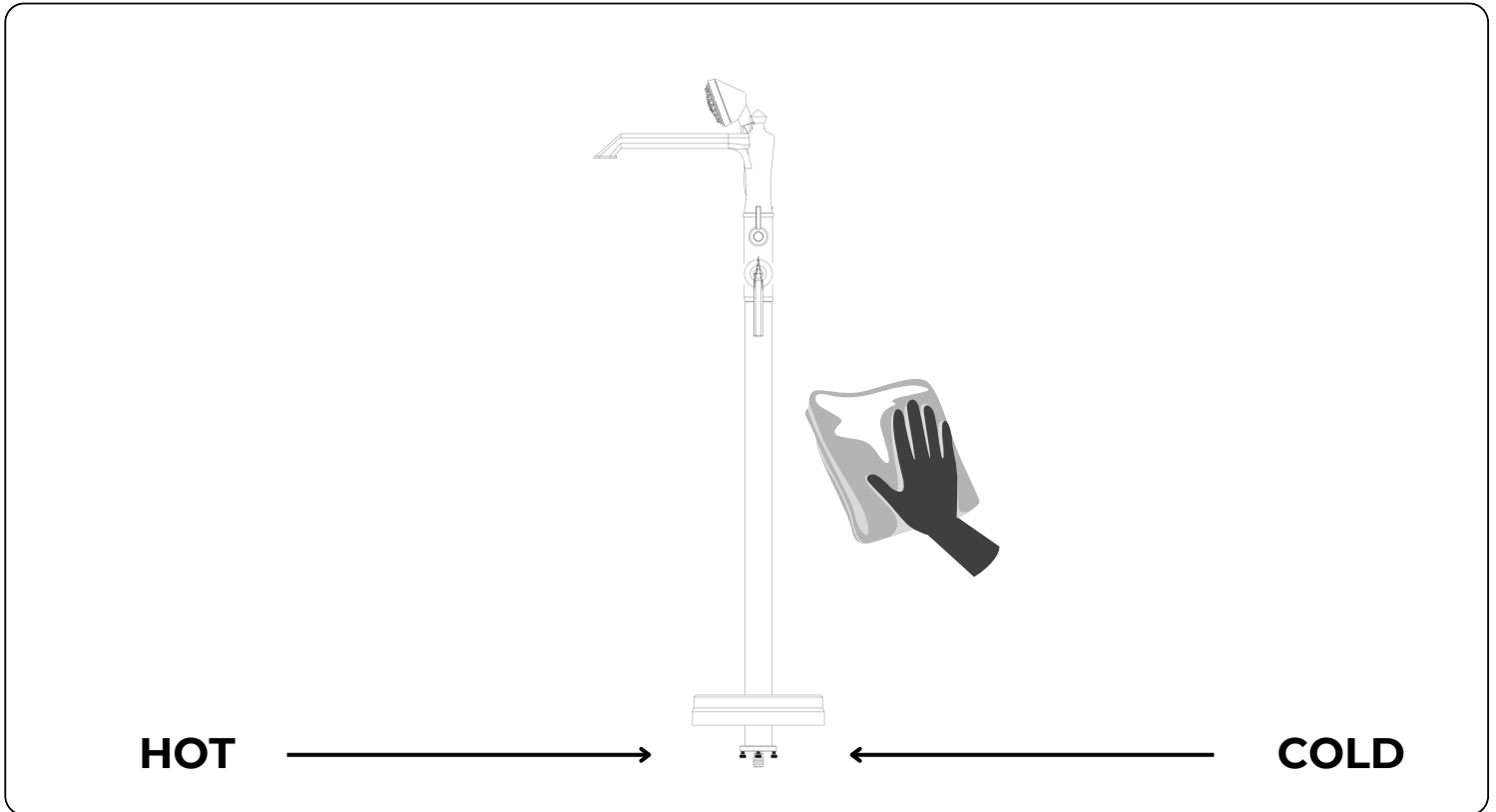


Thread the hand shower hose onto the outlet connection at the tub filler body. Tighten by hand until snug—do not overtighten.

Once secure, install the shower wand according to its individual manual. Ensure both connections are properly seated and that the hose hangs freely without twisting.

NOTE: Faucet can be moved by loosening the rear set screw and rotating to desired orientation, then retightening set screw

STEP 7

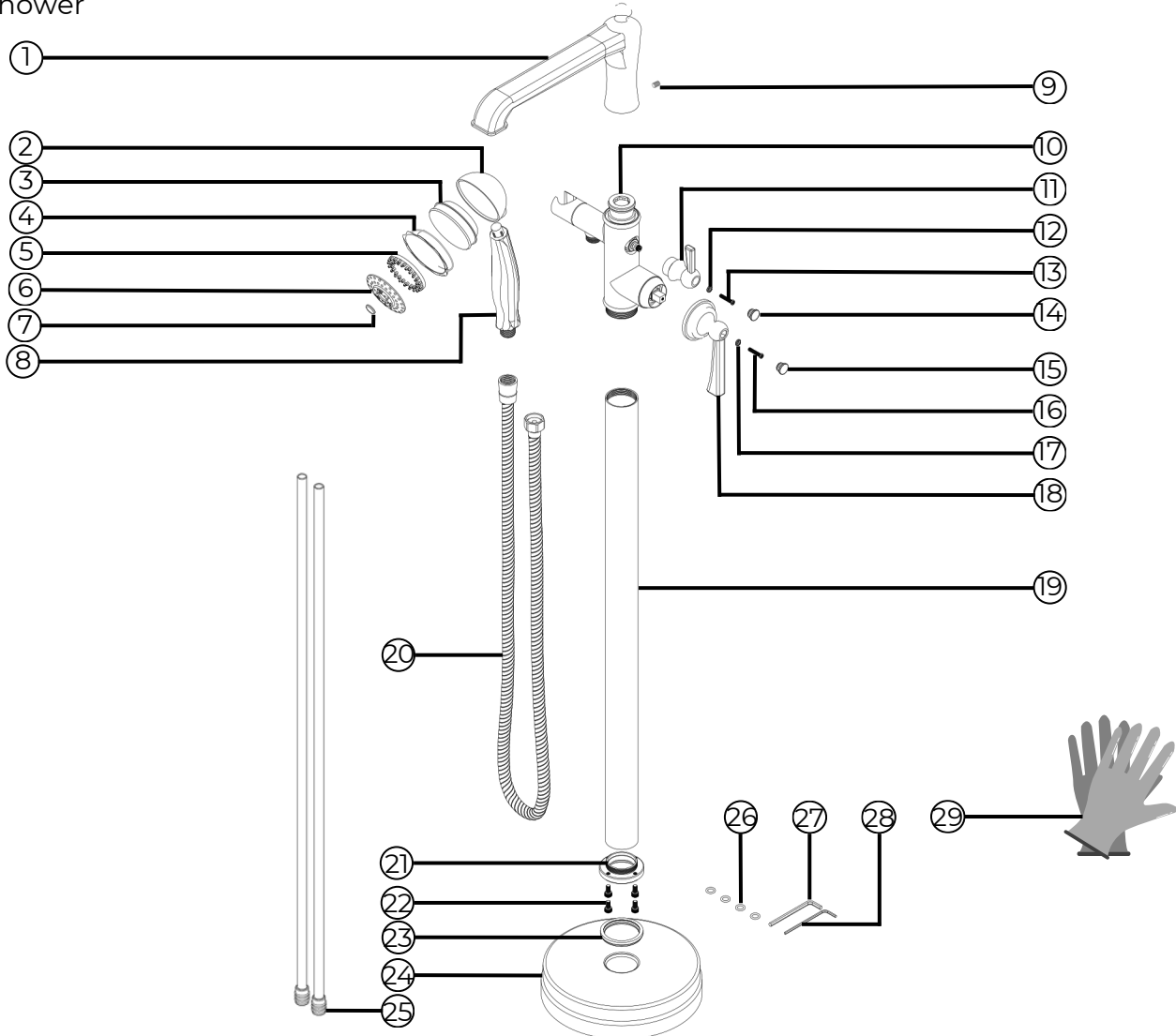


Before restoring water flow, confirm that all connections are fully seated and that no components are cross-threaded or misaligned.

Slowly turn on the water supply and check all joints for leaks. Once verified, operate the tub filler handle to confirm smooth water flow and correct temperature direction. After testing, clean all visible surfaces with a soft, damp cloth to remove debris or fingerprints.

Additional Notes:

- After installation, flush the water lines by running water for several minutes to remove any debris or installation residue.
- Periodically inspect all connections and washers for signs of wear and retighten if necessary.



- | | |
|---------------------------------|---------------------------------|
| ① CLASSIC FAUCET | ⑩ CLASSIC CONTROL VALVE |
| ② SHOWER WAND BACK | ⑪ DIVERTER HANDLE |
| ③ SHOWER WAND INTERNALS | ⑫ DIVERTER NYLON WASHER |
| ④ SHOWER WAND MODE RING | ⑬ DIVERTER BOLT |
| ⑤ SHOWER WAND EASY CLEAN JETS | ⑭ DIVERTER HANDLE CAP |
| ⑥ SHOWER WAND FACE | ⑮ THERMOSTAT HANDLE |
| ⑦ SHOWER WAND FACE CAP | ⑯ PIPE |
| ⑧ SHOWER WAND HANDLE | ⑰ 150CM SHOWER HOSE |
| ⑨ FAUCET SET SCREW | ⑱ BASE SECURING NUT |
| ⑫ CLASSIC CONTROL VALVE | ⑲ BASE SECURING M6 BOLTS (4) |
| ⑬ DIVERTER HANDLE | ⑳ ESCUTCHEON INNER SEAL |
| ⑭ DIVERTER NYLON WASHER | ㉑ ESCUTCHEON BASE |
| ⑮ DIVERTER BOLT | ㉒ INLET PRESS FIT PIPE (2) |
| ⑯ DIVERTER HANDLE CAP | ㉓ INLET O-RING REPLACEMENTS (4) |
| ⑰ THERMOSTAT HANDLE | ㉔ ALLEN WRENCH (4mm) |
| ⑱ PIPE | ㉕ ALLEN WRENCH (2.5mm) |
| ⑲ 150CM SHOWER HOSE | ㉖ INCLUDED WORK GLOVES |
| ㉑ BASE SECURING NUT | |
| ㉒ BASE SECURING M6 BOLTS (4) | |
| ㉓ ESCUTCHEON INNER SEAL | |
| ㉔ ESCUTCHEON BASE | |
| ㉕ INLET PRESS FIT PIPE (2) | |
| ㉖ INLET O-RING REPLACEMENTS (4) | |
| ㉗ ALLEN WRENCH (4mm) | |
| ㉘ ALLEN WRENCH (2.5mm) | |
| ㉙ INCLUDED WORK GLOVES | |