

# FS412

Harmony 8" Widespread Bathroom Faucet

artos®

**INSTALLATION GUIDE**



# FS412

Harmony 8" Widespread Bathroom Faucet

artos®

## OPERATING SPECIFICATIONS



### OPERATING TEMPERATURE

Maximum: 176°

### OPERATING PRESSURE

Minimum: 15psi

Maximum: 75psi

Recommended: 25psi-70psi

Operating pressures (on hot and cold lines) should be kept as balanced as possible, in order to assure the maximum efficiency

### FLOW RATE

6.1 USGPM

### MATERIAL

Solid Brass

### INSTALLATION DIMENSIONS

Hole Diameter: 1 3/8" X3

Maximum surface thickness: 1 3/4"

### FEATURES

Articulating Aerator

Included Pop-Up Drain

### STANDARDS

To view all standards, please visit product approvals in our learning hub at [artos.us.com](http://artos.us.com)

All technical specifications, product details, and pricing are subject to change without prior notice. Artos makes every effort to ensure accuracy; however, errors or omissions may occur. It is the responsibility of the installer, designer, or purchaser to verify all critical dimensions, installation requirements, and compliance with applicable codes prior to use.

Artos assumes no liability for damages, losses, or injuries resulting from the use of this documentation or from product installation, operation, or maintenance performed outside of Artos instructions and applicable codes. Product warranties are limited to those expressly stated by Artos. Please refer to official warranty documentation for complete terms and conditions.

All drawings, manuals, and specifications are the property of Artos and may not be reproduced, distributed, or altered without prior written permission.

# FS412

Harmony 8" Widespread Bathroom Faucet

artos®

**INDEX**

## INDEX

Product Dimensions - FS412.....	pg:4
Harmony 8" Widespread Bathroom Faucet Installation - FS412.....	pg:5-8
Parts Breakdown - FS412.....	pg:9
Product Dimensions - F910-12.....	pg:10
Pop-Up Drain With Overflow Installation - F910-12.....	pg:11-13
Parts Breakdown - F910-12.....	pg:14
Parts Breakdown - FS412.....	pg:15

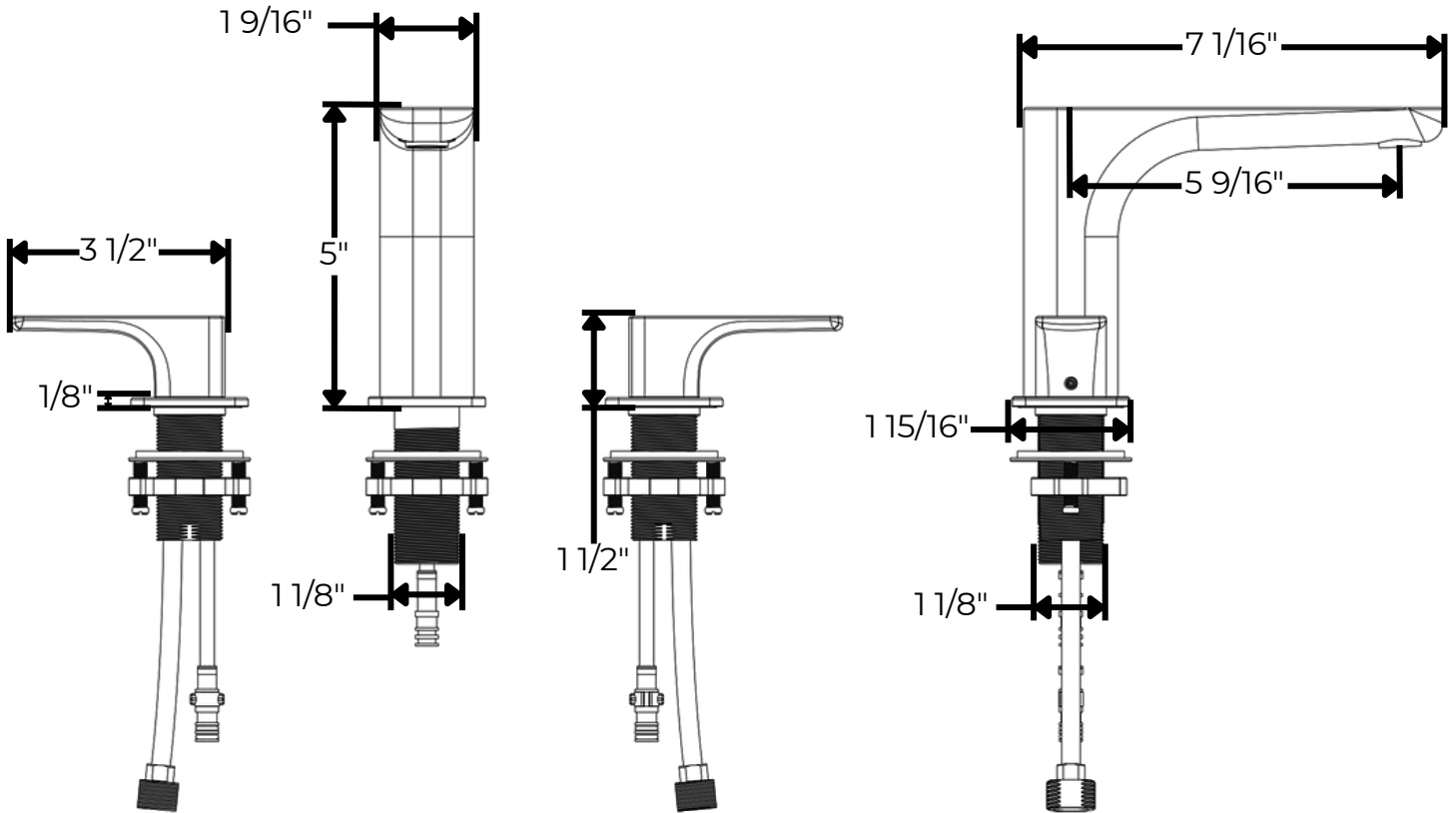
# FS412

Harmony 8" Widespread Bathroom Faucet

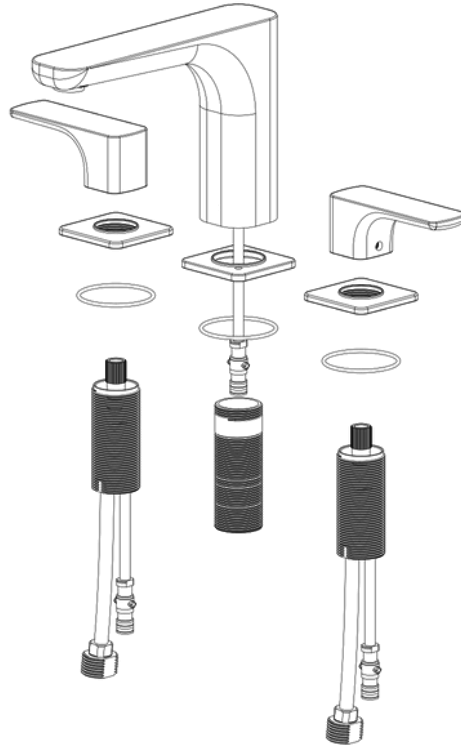
artos®

## PRODUCT DIMENSIONS

PRODUCT SKU: FS412



## STEP 1



### Safety Warnings

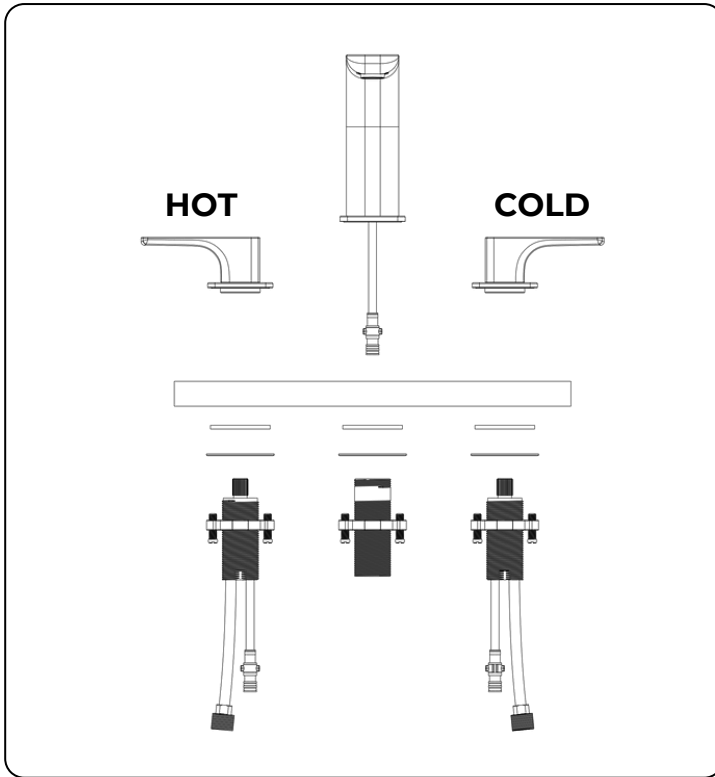
- Shut off the main or local water supply before beginning installation.
- Use caution when handling sharp tools and metal parts.
- Do not overtighten connections, as this may damage components or create leaks.
- Ensure the psi of the local water supply remains in the recommended psi range on the operating specifications page
- Wear protective gloves throughout installation to prevent injury and protect the finish of the components.

Before beginning, verify that all parts and tools required for installation are available. Review the installation diagram in the parts breakdown at the end of this manual.

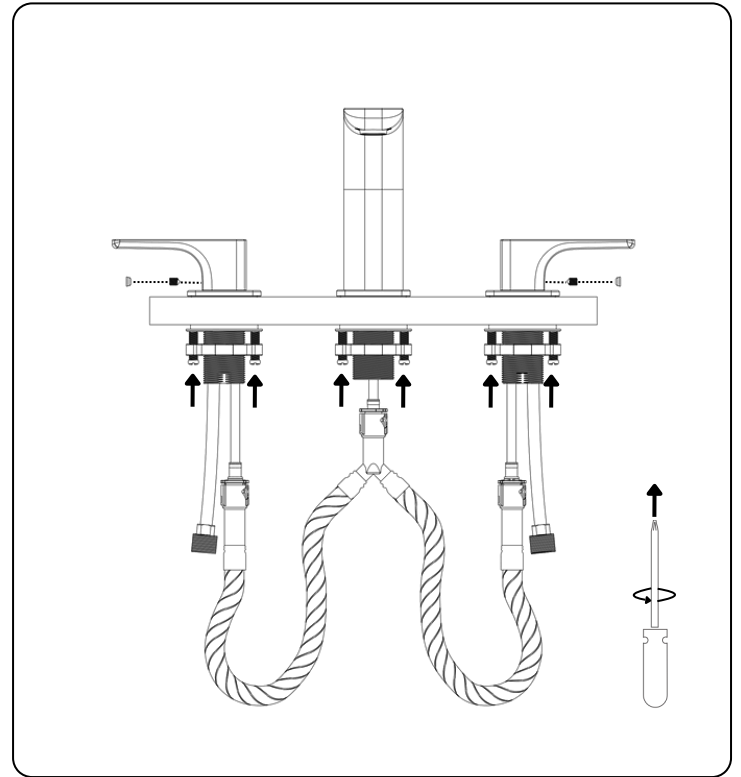
Installation of **1 3/8"** X3Mounting holes in **8"** Widespread may be required

Unbox all components and ensure that rubber seals are properly seated within their respective escutcheons.

## STEP 2



## STEP 3



## STEP 2

Assemble the widespread faucet by installing the faucet body and handles with their corresponding escutcheons. From below the countertop, secure each valve using the rubber washer, metal washer, and securing nut on the spindle/valve, ensuring the rubber washer is positioned closest to the counter surface.

Confirm correct orientation:

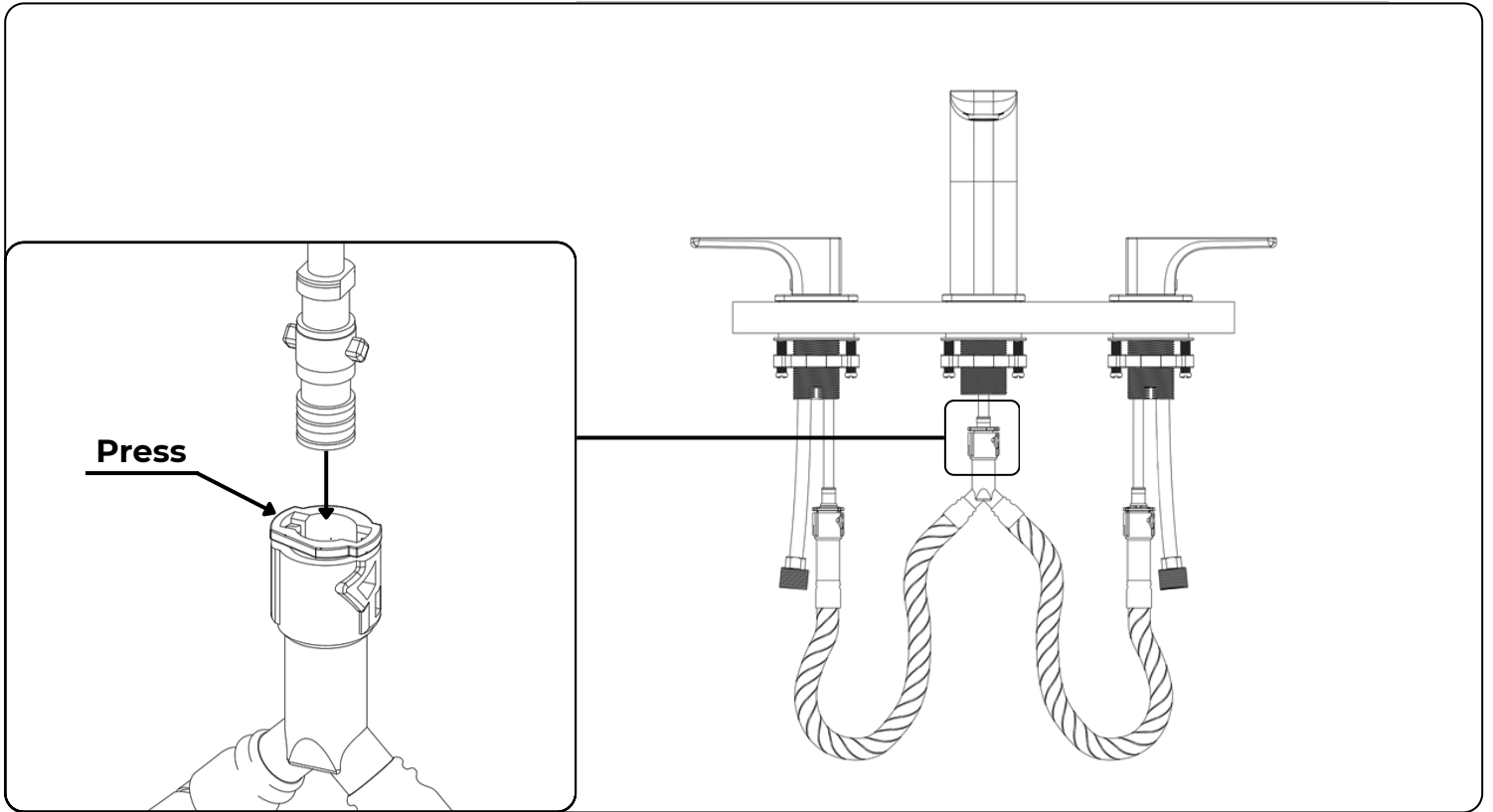
- Hot valve on the left
- Cold valve on the right

## STEP 3

Thread the securing nut onto each valve and tighten hand-tight with the securing screws partially engaged. Once positioned correctly, fully tighten the securing screws using a driver to lock the assembly in place.

Install the set screws into the Harmony handles and cover them with the set screw plugs. Rotate both handles to verify they stop at the same position. If the handle rotation does not align, remove the valve, adjust its orientation, and reinstall it before proceeding.

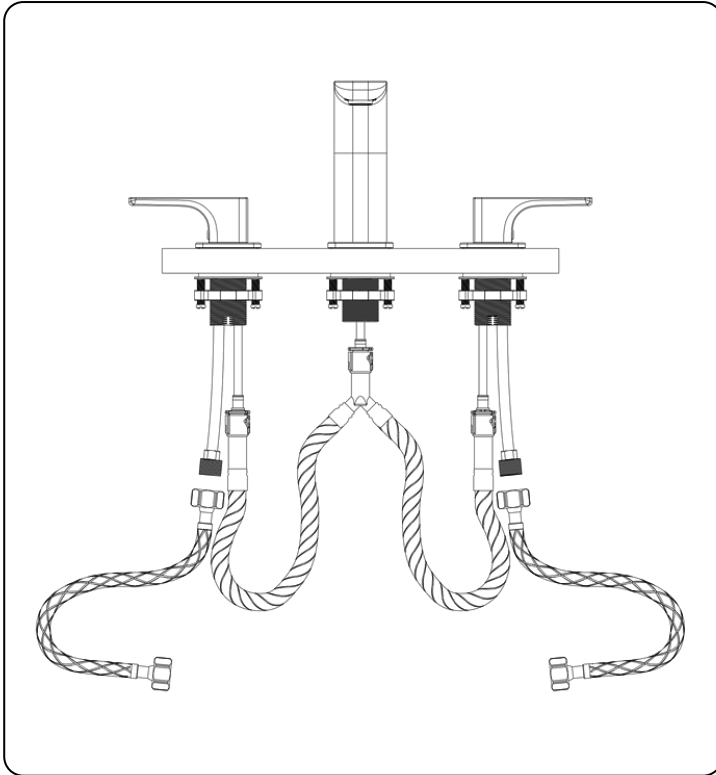
**STEP 4**



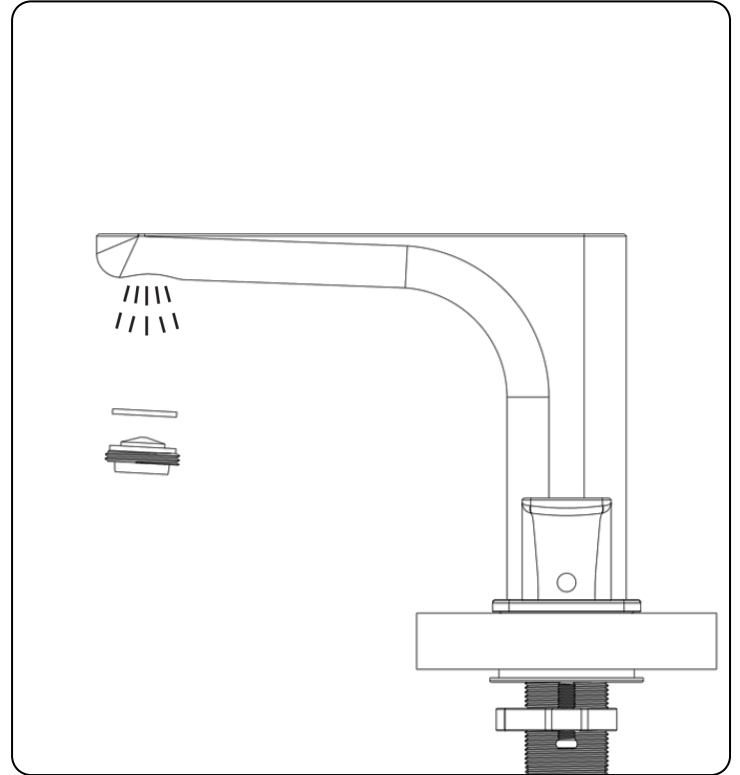
Attach the Y push-connection hose by pressing firmly onto each connection until the seals fully engage and lock in place. The base of the Y-connection must be connected to the faucet body.

The flexible hose may be gently looped as needed to accommodate spacing beneath the countertop. Ensure the hose forms a smooth, natural curve without sharp bends, twists, or kinks, as restricted flow may occur if the hose is improperly routed.

## STEP 5



## STEP 6



## STEP 5

Connect the flexible hoses to valves and household supply lines using a wrench. **Do not bend the copper connection on the valve.** Tighten the connections firmly but carefully to avoid over-compression of the threads. Verify that both hot and cold lines are correctly matched and that all fittings are seated properly to prevent leaks during testing.

## STEP 6

Remove the aerator from the faucet spout, then turn on the water and allow it to run for approximately one minute. This flushing process removes any debris, sediment, or installation residue from the supply lines and internal components. After flushing is complete, reinstall the aerator securely.

### Additional Notes:

- Plumbing components not explicitly included with this product must be sourced separately.
- Periodically inspect all connections and washers for signs of wear and retighten if necessary.

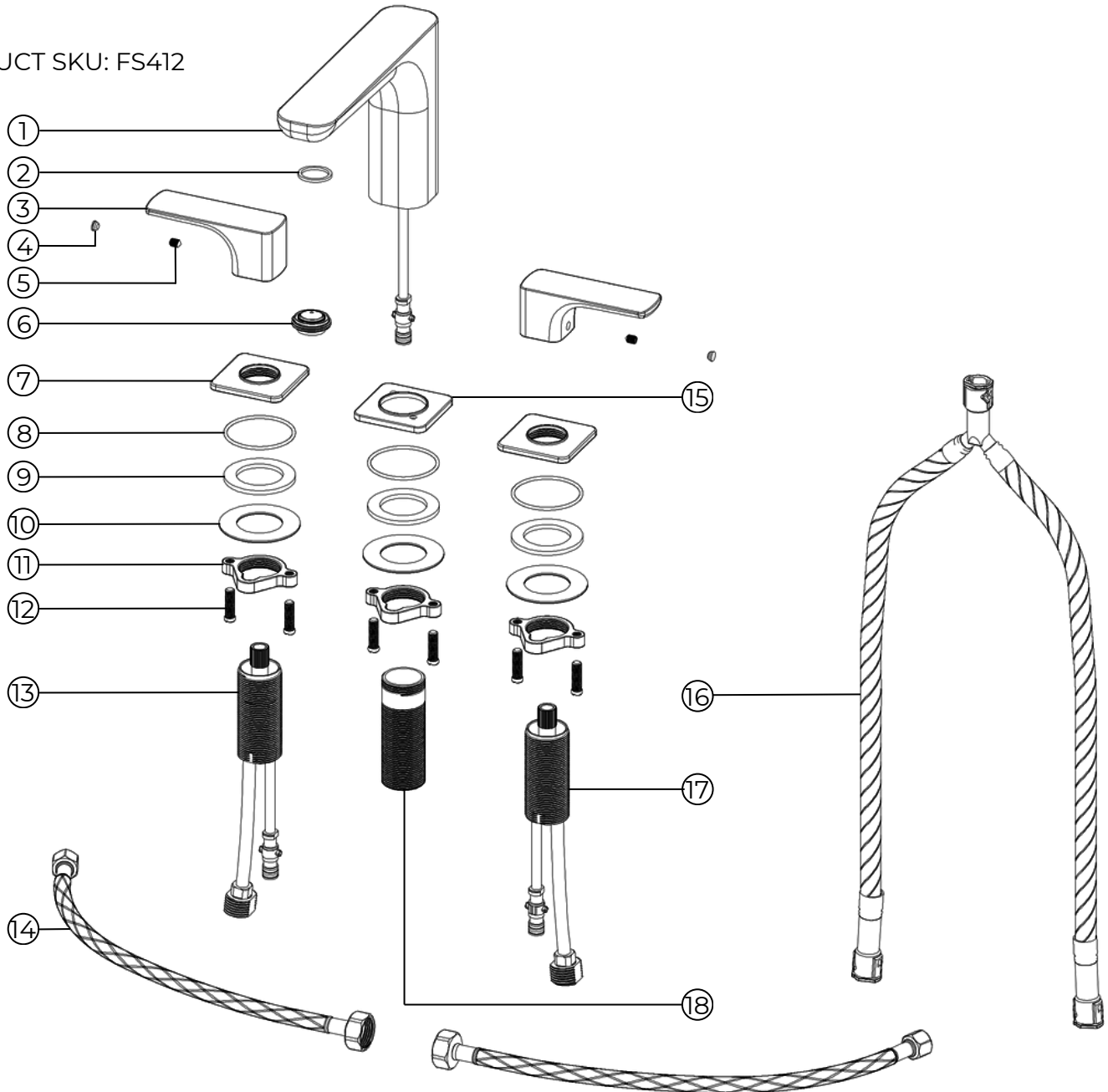
# FS412

Harmony 8" Widespread Bathroom Faucet

artos®

## PARTS BREAKDOWN

PRODUCT SKU: FS412



- |                         |                           |
|-------------------------|---------------------------|
| ① HARMONY FAUCET        | ⑩ METAL WASHER (3)        |
| ② AERATOR SEAL          | ⑪ SECURING NUT (3)        |
| ③ HARMONY HANDLE (2)    | ⑫ SECURING NUT SCREWS (6) |
| ④ SET SCREW CAP (2)     | ⑬ COLD VALVE              |
| ⑤ HANDLE SET SCREW (2)  | ⑭ SUPPLY HOSE (2)         |
| ⑥ AERATOR               | ⑮ FAUCET ESCUTCHEON       |
| ⑦ HANDLE ESCUTCHEON (2) | ⑯ Y QUICK CONNECT HOSE    |
| ⑧ ESCUTCHEON SEAL (3)   | ⑰ HOT VALVE               |
| ⑨ RUBBER WASHER (3)     | ⑱ FAUCET SPINDLE          |

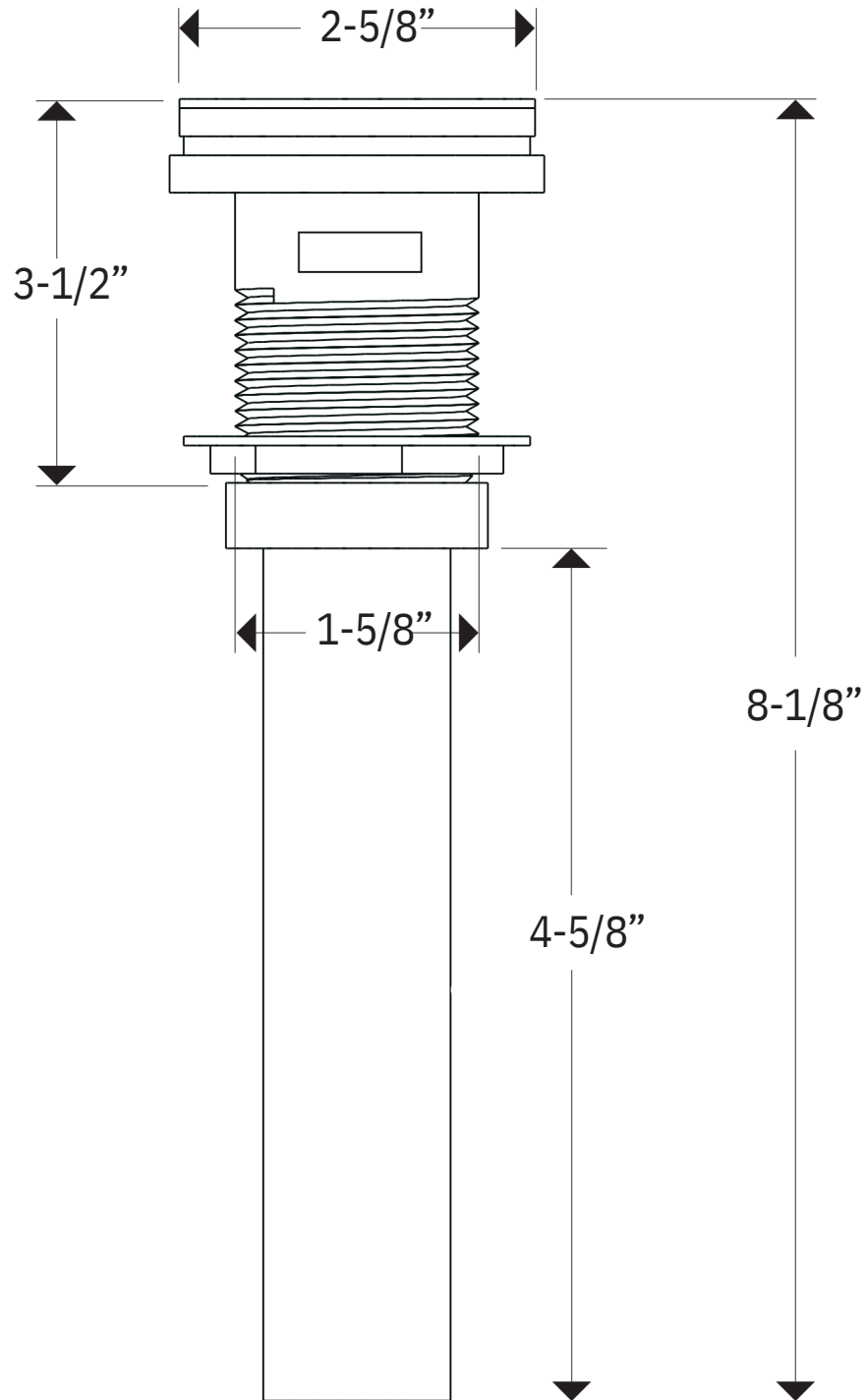
# FS412

Harmony 8" Widespread Bathroom Faucet

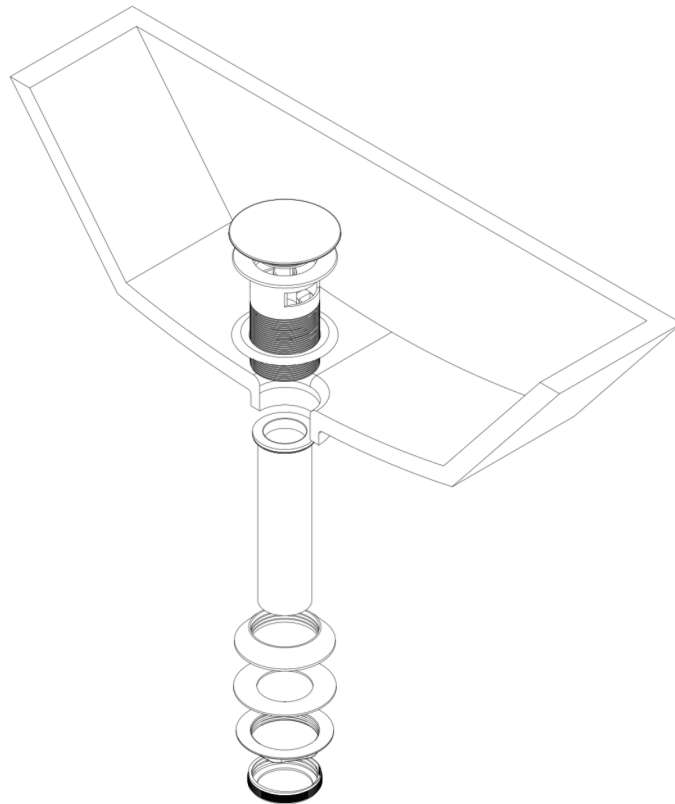
artos®

## PRODUCT DIMENSIONS

PRODUCT SKU: F910-12



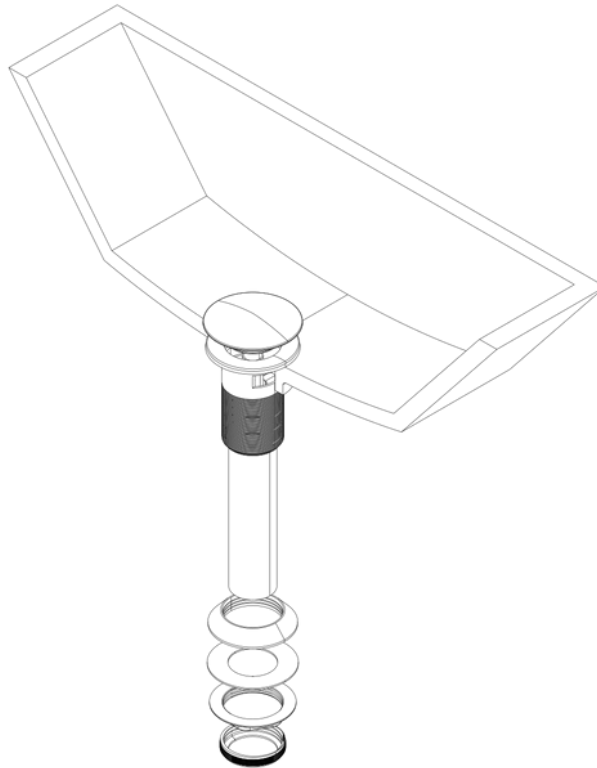
## STEP 1



Disassemble the umbrella drain by removing the drain collar, drain collar nut, collar rubber seal, umbrella drain nut, nylon washer, and silicone washer in sequence. Insert the drain body into the sink drain opening from above. From beneath the sink, thread and tighten the securing nut until it sits flush against the underside of the sink surface.

**Note:** Ensure the silicone washer is properly seated between the drain flange and sink surface to prevent leaks. Do not overtighten the securing nut, as this may damage the sink or washer.

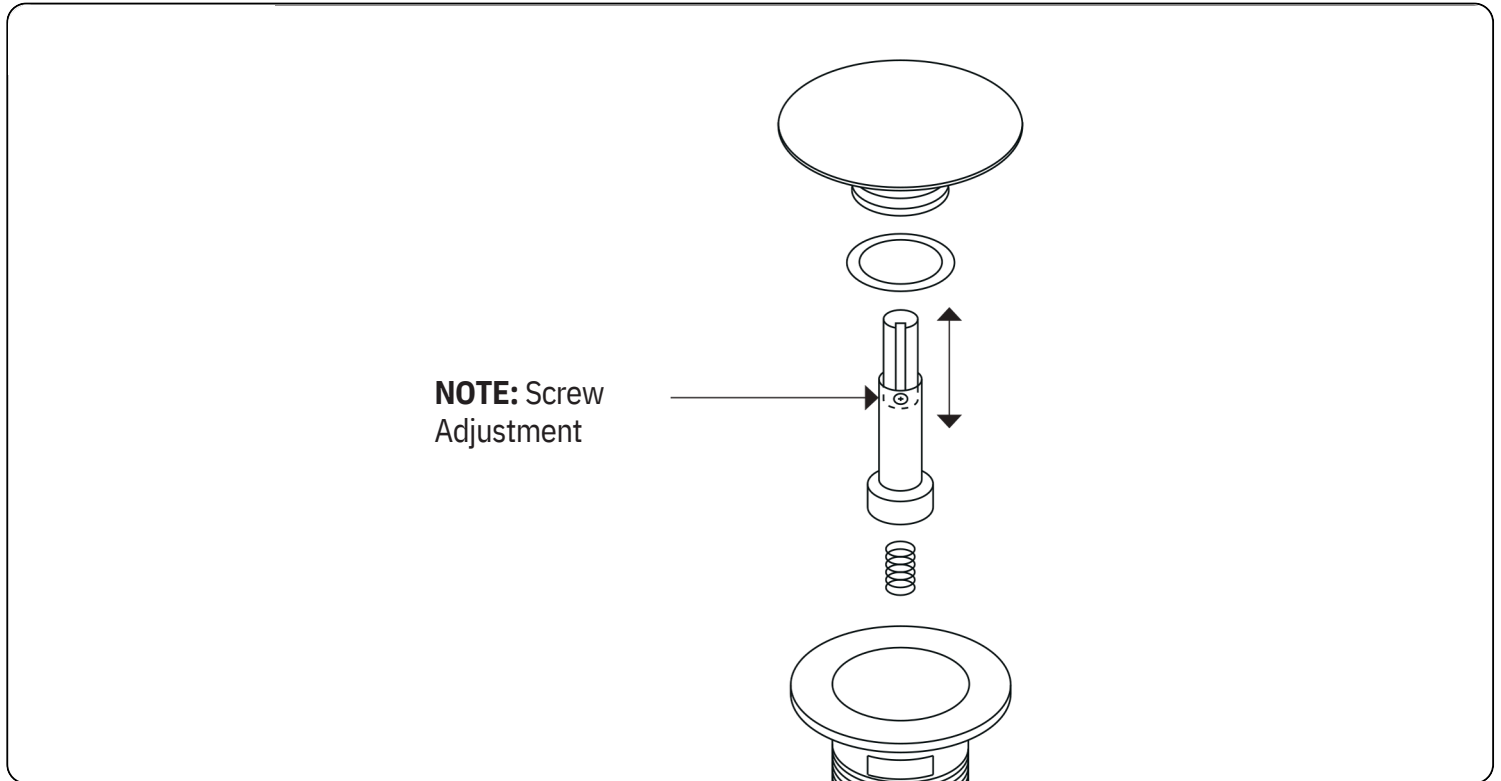
## STEP 2



Reinstall the previously removed components onto the drain body from beneath the sink in reverse order, tightening each part using a clockwise motion to ensure a secure fit.

**Note:** Confirm that all seals and washers are properly aligned before final tightening. Once assembled, proceed to connect the P-trap following the manufacturer's installation instructions for drain alignment and sealing.

## STEP 3



**Adjustment:** To adjust the height of the umbrella, loosen the adjustment screw and raise or lower the umbrella to the desired position. Once properly positioned, re-tighten the screw securely to hold the umbrella in place.

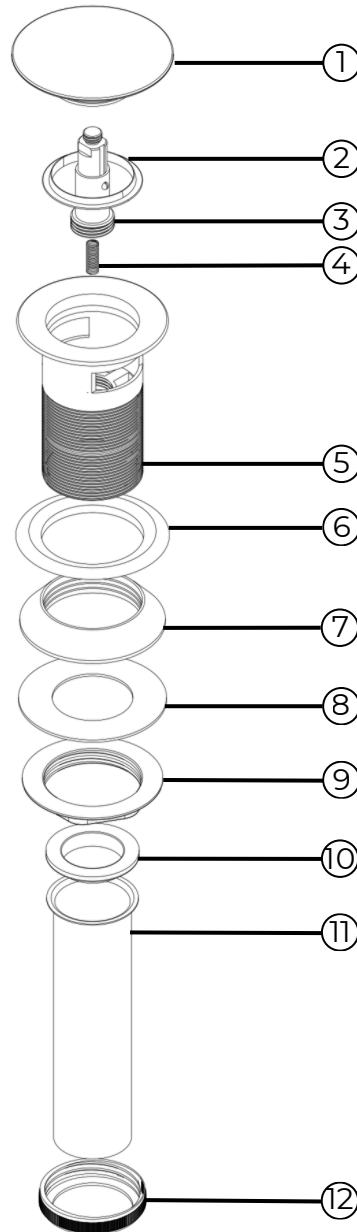
# FS412

Harmony 8" Widespread Bathroom Faucet

artos®

## PARTS BREAKDOWN

PRODUCT SKU: F910-12



- ① UMBRELLA PUSH BUTTON
- ② UMBRELLA PUSH BUTTON SEAL
- ③ DRAIN ADJUSTMENT SPINDLE
- ④ SPINDLE SPRING
- ⑤ UMBRELLA DRAIN BODY
- ⑥ UPPER SILICON GASKET

- ⑦ LOWER SILICON GASKET
- ⑧ NYLON PLASTIC WASHER
- ⑨ DRAIN NUT
- ⑩ RUBBER P-TRAP GASKET
- ⑪ P-TRAP COLLAR
- ⑫ COLLAR NUT

# FS412

Harmony 8" Widespread Bathroom Faucet

artos®

## PARTS BREAKDOWN

