

FS314

Round 8" Widespread Lavatory Faucet with Low Spout & Cross Handles

artos®

INSTALLATION GUIDE



FS314

Round 8" Widespread Lavatory Faucet with Low Spout & Cross Handles

artos®

OPERATING SPECIFICATIONS

OPERATING PRESSURE

Minimum: 15psi
Maximum: 75psi
Recommended: 20psi-70psi

Above 90psi it may be necessary to install a pressure reducer

Operating pressures (on hot and cold lines) should be kept as balanced as possible, in order to assure the maximum efficiency.

OPERATING TEMPERATURE

Maximum: 176°

FLOW RATE

1.2 USGPM

FEATURES

Valve Bodies Included
Rotating Spout Design



STANDARDS



2

WESTOVER, INC

4011 S 60TH ST, OMAHA, NE 68117

WWW.ARTOS.US.COM

T: 402-397-3344

All technical specifications, product details, and pricing are subject to change without prior notice. Artos makes every effort to ensure accuracy; however, errors or omissions may occur. It is the responsibility of the installer, designer, or purchaser to verify all critical dimensions, installation requirements, and compliance with applicable codes prior to use.

Artos assumes no liability for damages, losses, or injuries resulting from the use of this documentation or from product installation, operation, or maintenance performed outside of Artos instructions and applicable codes. Product warranties are limited to those expressly stated by Artos. Please refer to official warranty documentation for complete terms and conditions.

All drawings, manuals, and specifications are the property of Artos and may not be reproduced, distributed, or altered without prior written permission.

FS314

Round 8" Widespread Lavatory Faucet with Low Spout & Cross Handles

INDEX

Product Dimensions.....pg:4

Widespread Lavatory Faucet with Low Spout & Cross Handles Installation FS314.....pg:5-9

Parts Breakdown FS314.....pg:10

Umbrella Drain Installation F910-12.....pg:11-13

Parts Breakdown Umbrella Drain F910-12.....pg:14

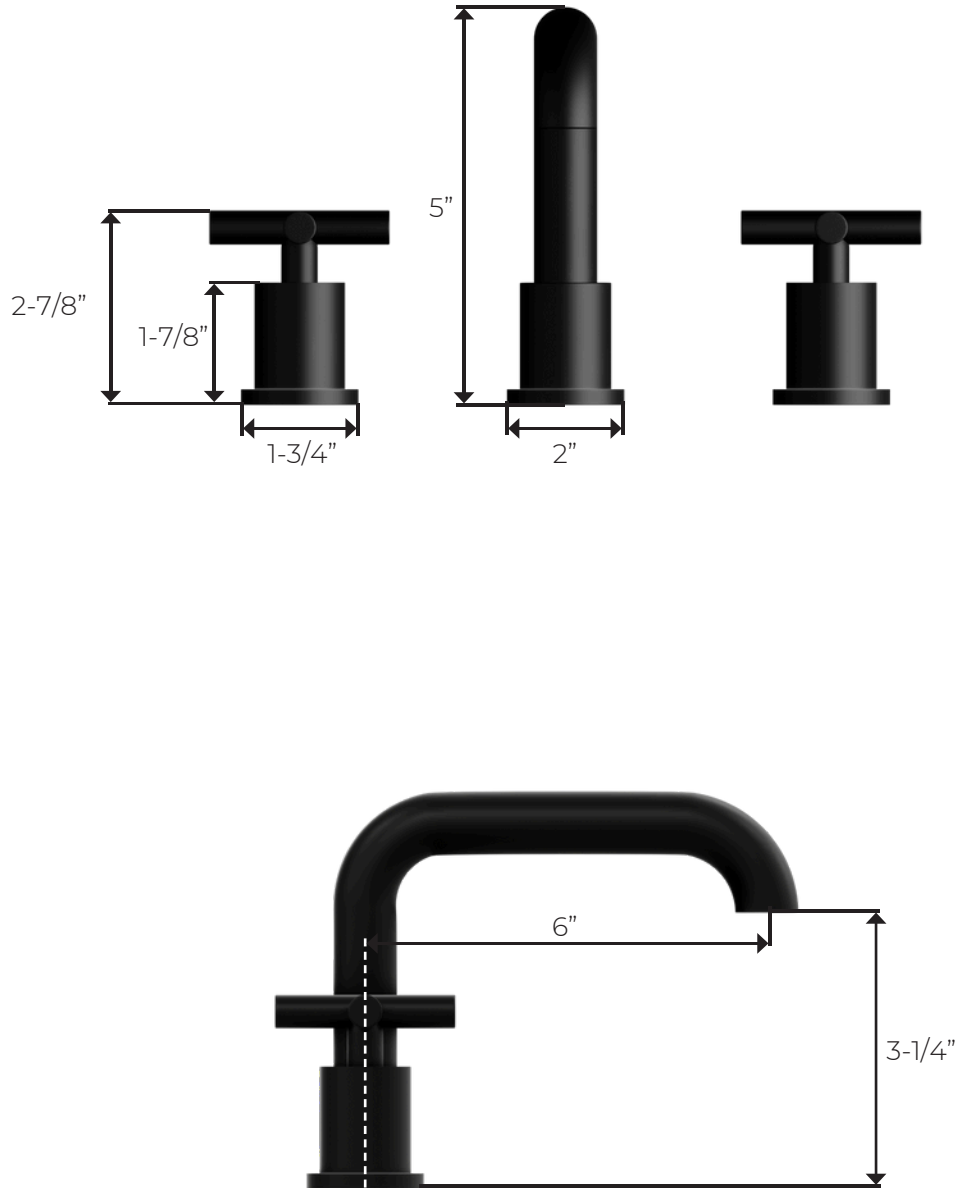
Parts Breakdown Assembly FS314.....pg:15

FS314

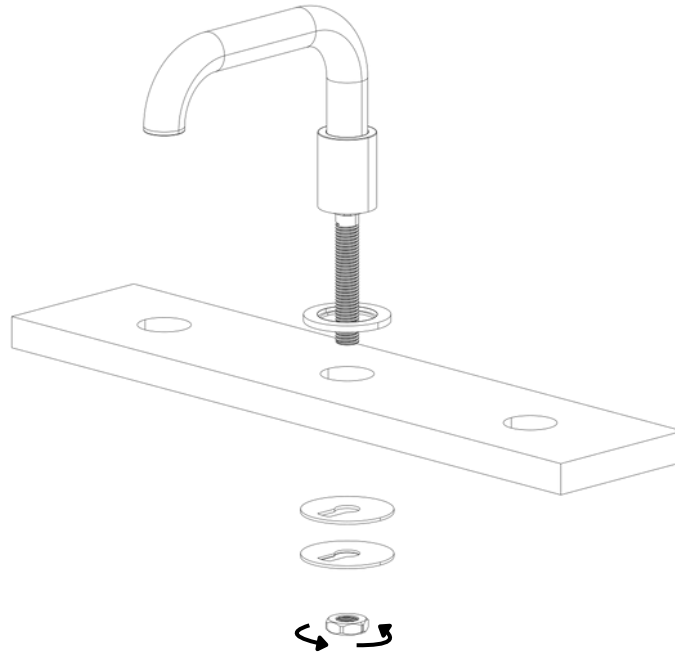
artos®

Round 8" Widespread Lavatory Faucet with Low Spout & Cross Handles

PRODUCT DIMENSIONS



STEP 1



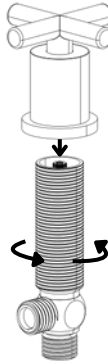
Safety Warnings

- Shut off the main or local water supply before beginning installation.
- Use caution when handling sharp tools and metal parts.
- Do not overtighten connections, as this may damage components or create leaks.

Remove the spindle nut and both washers from the faucet spindle. Insert the faucet spindle into the center hole of the sink. From beneath the sink, thread the rubber washer first, followed by the metal washer, and then secure with the spindle nut. Tighten firmly to ensure a stable fit.

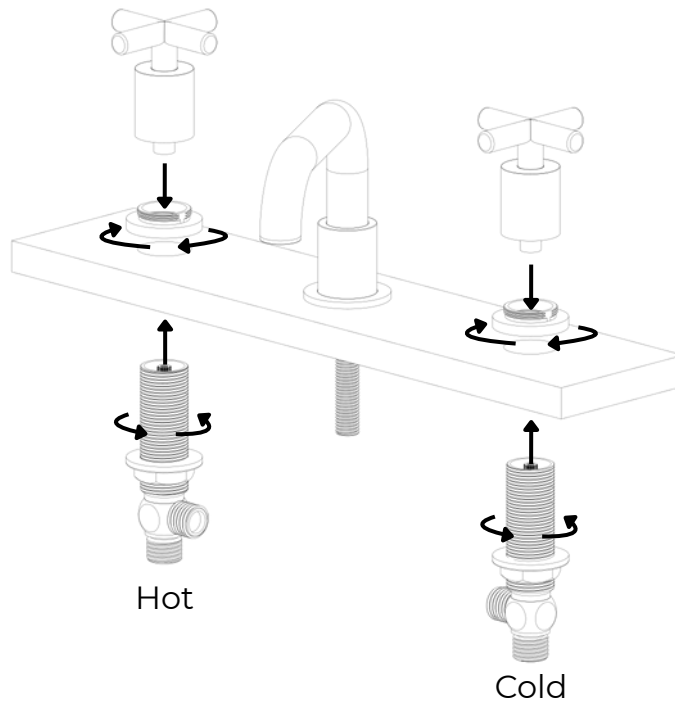
Note: Pre-installation of the faucet mounting surface is required. If the surface does not include pre-drilled holes for a widespread faucet, these must be drilled prior to installation. The faucet mounting hole should be centered with the sink placement, and the cross-handle holes should be spaced 4 inches from the center of the faucet hole.

STEP 2



Before installation, make sure the cross handles are in the “off” position and confirm that the valve is also fully closed. Adjust alignment as necessary to ensure that the handle orientation matches the valve function.

STEP 3

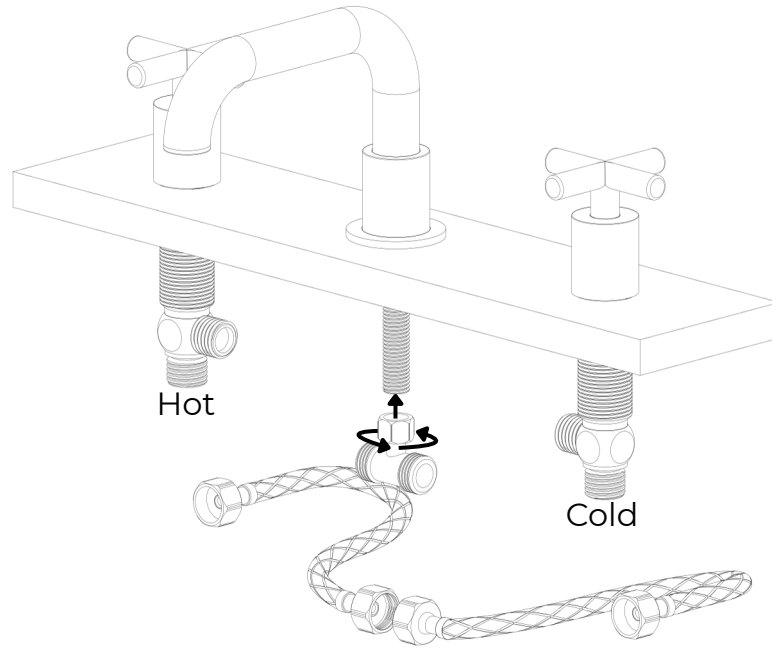


Unthread the cross-handle escutcheon and position it centered over the designated handle hole.

Using the correct water temperature valve (identified by the colored sticker on the valve), hold the valve body in place from beneath the sink and thread the body onto the cross-handle escutcheon. Adjust the tightness of the plastic valve nuts and handle escutcheon to achieve an even seal against the mounting surface. Ensure the valve body outlet is oriented horizontally and faces the faucet spindle.

Re-thread the cross handles onto the escutcheons.

Note: Assistance from a second person is recommended for this step, depending on the sink top configuration and depth.

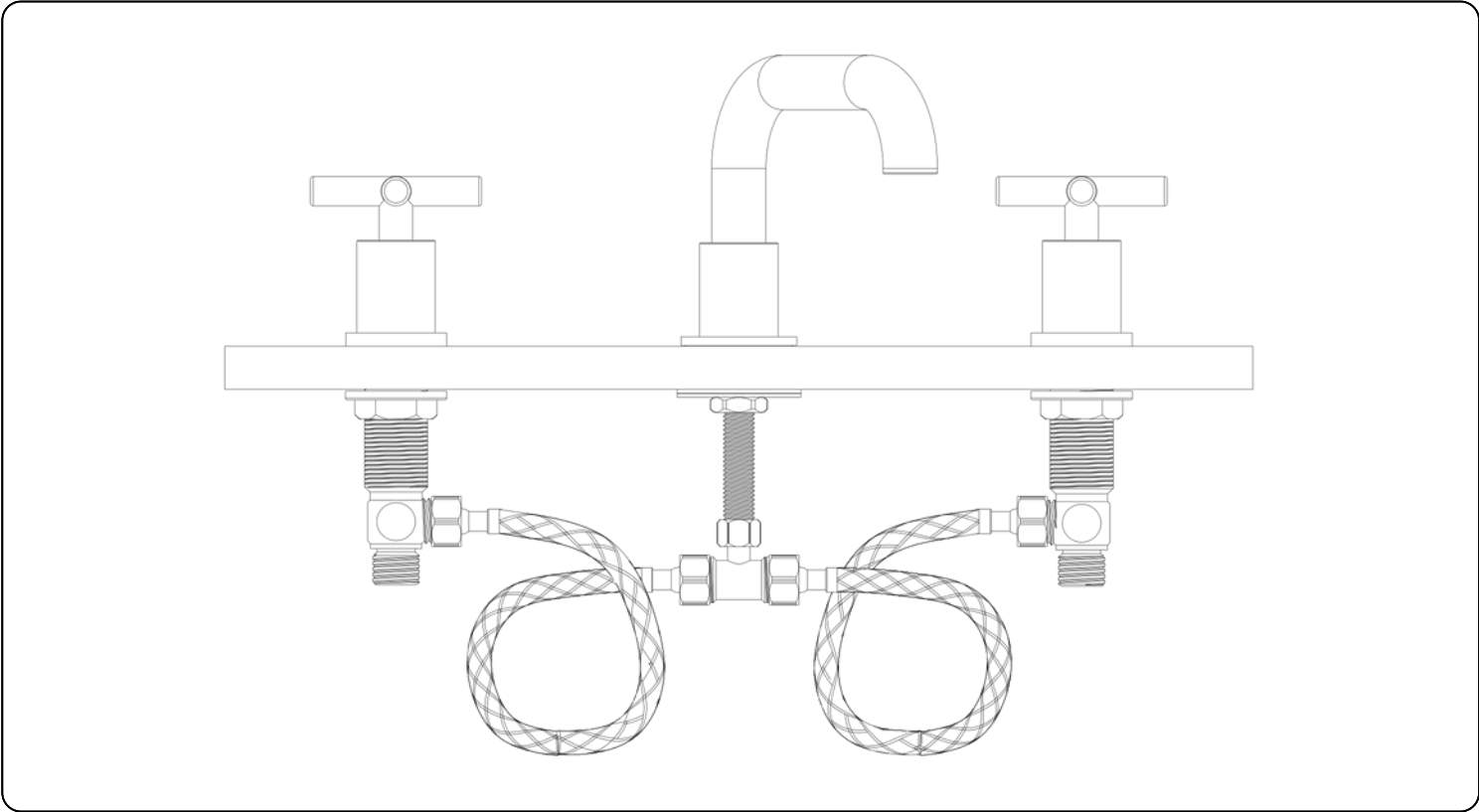
STEP 4

Connect the T-joint to the spindle with the nut positioned toward the spindle. Attach the hot and cold supply line hoses to the valves, ensuring proper directional alignment according to hot (left) and cold (right) supply.

Finally, attach the water supply hook-ups to the corresponding valves—connect the hot water line to the left valve and the cold water line to the right valve. Ensure all connections are securely tightened and properly seated. Once complete, slowly turn on the water supply and check all joints and fittings for leaks before full operation.

Note:

STEP 5

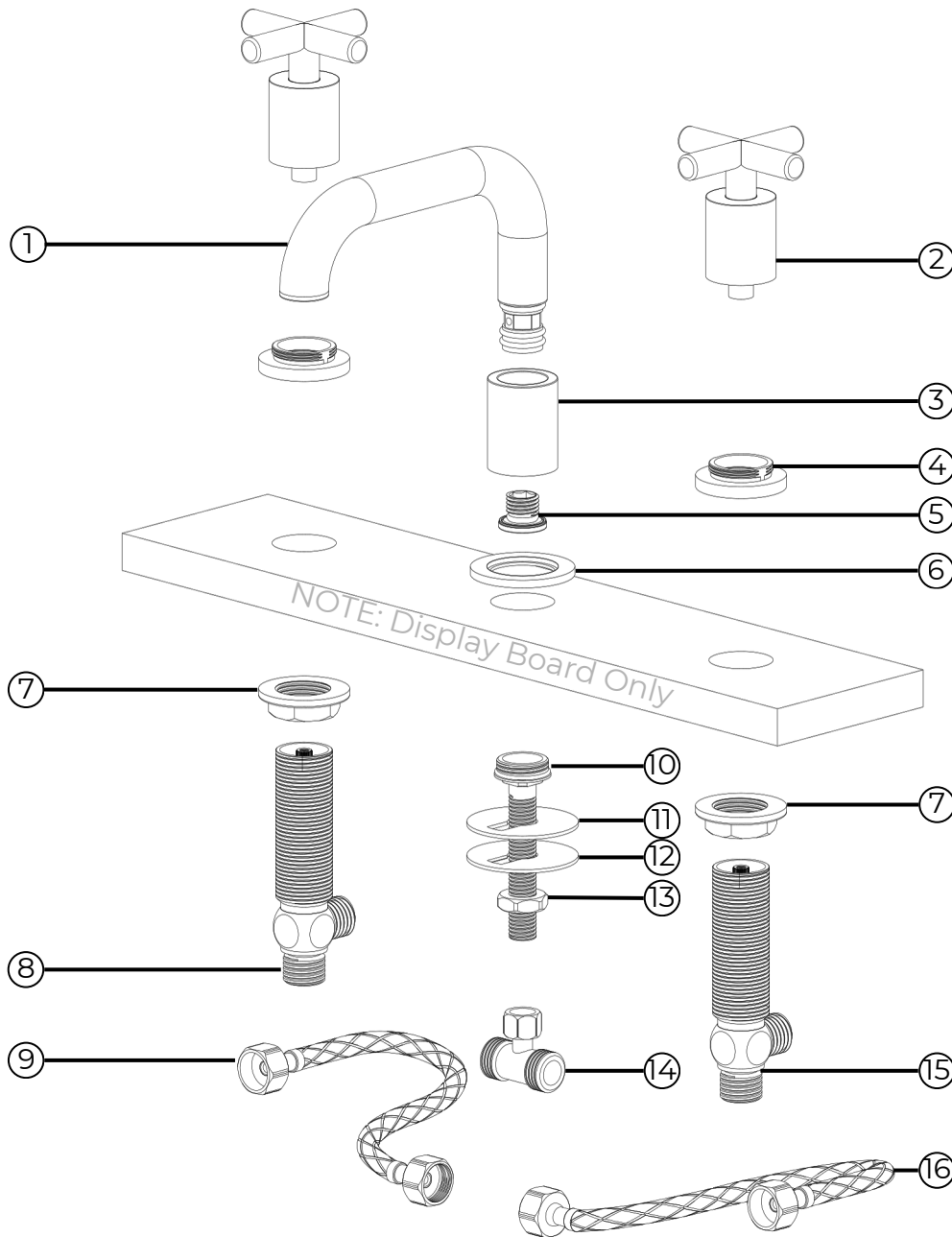


Ensure all washers are properly seated and nuts are tightened to prevent water leakage during operation.

Once complete, slowly turn on the water supply and check all joints and fittings for leaks before full operation.

Additional Notes:

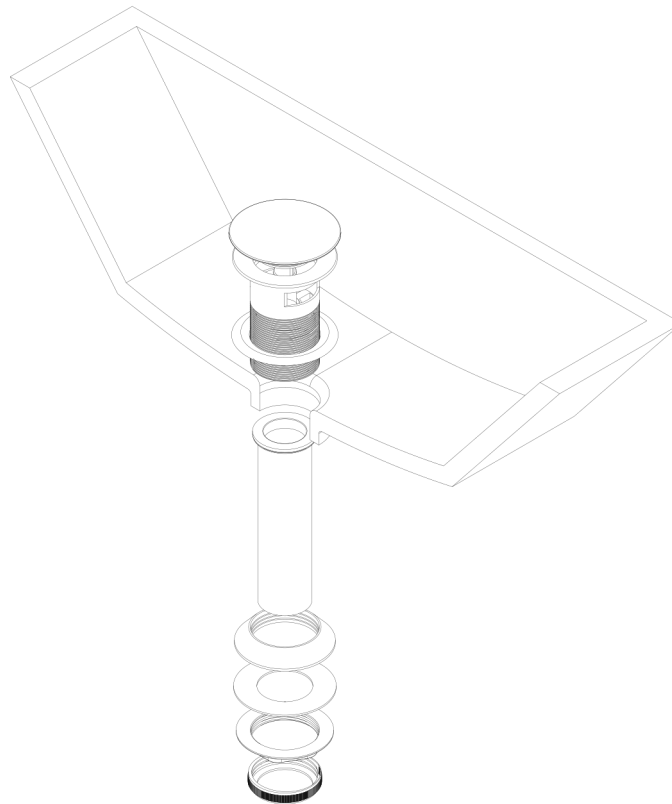
- Local water supply hook-ups are **not** provided and must be sourced separately.
- After installation, flush the water lines by running water for several minutes to remove any debris or installation residue.
- Periodically inspect all connections and washers for signs of wear and retighten if necessary.



- ① ROUND LOW SPOUT FAUCET
- ② CROSS HANDLE
- ③ FAUCET COLLAR
- ④ CROSS HANDLE ESCUTCHEON
- ⑤ COLLAR NUT
- ⑥ FAUCET ESCUTCHEON
- ⑦ VALVE NUT
- ⑧ HOT VALVE

- ⑨ HOT WATER SUPPLY HOSE
- ⑩ FAUCET SPINDLE
- ⑪ RUBBER WASHER
- ⑫ METAL WASHER
- ⑬ SPINDLE NUT
- ⑭ T-JOINT
- ⑮ COLD VALVE
- ⑯ COLD WATER SUPPLY HOSE

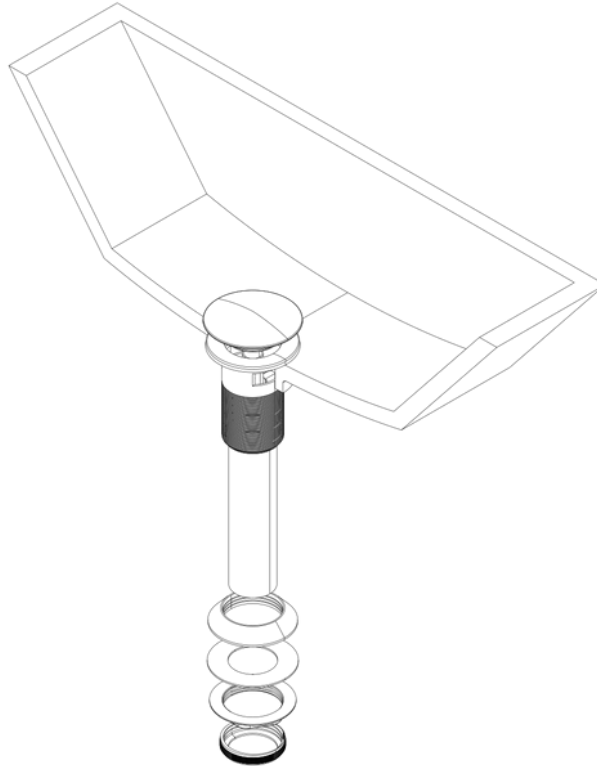
STEP 1



Disassemble the umbrella drain by removing the drain collar, drain collar nut, collar rubber seal, umbrella drain nut, nylon washer, and silicone washer in sequence. Insert the drain body into the sink drain opening from above. From beneath the sink, thread and tighten the securing nut until it sits flush against the underside of the sink surface.

Note: Ensure the silicone washer is properly seated between the drain flange and sink surface to prevent leaks. Do not overtighten the securing nut, as this may damage the sink or washer.

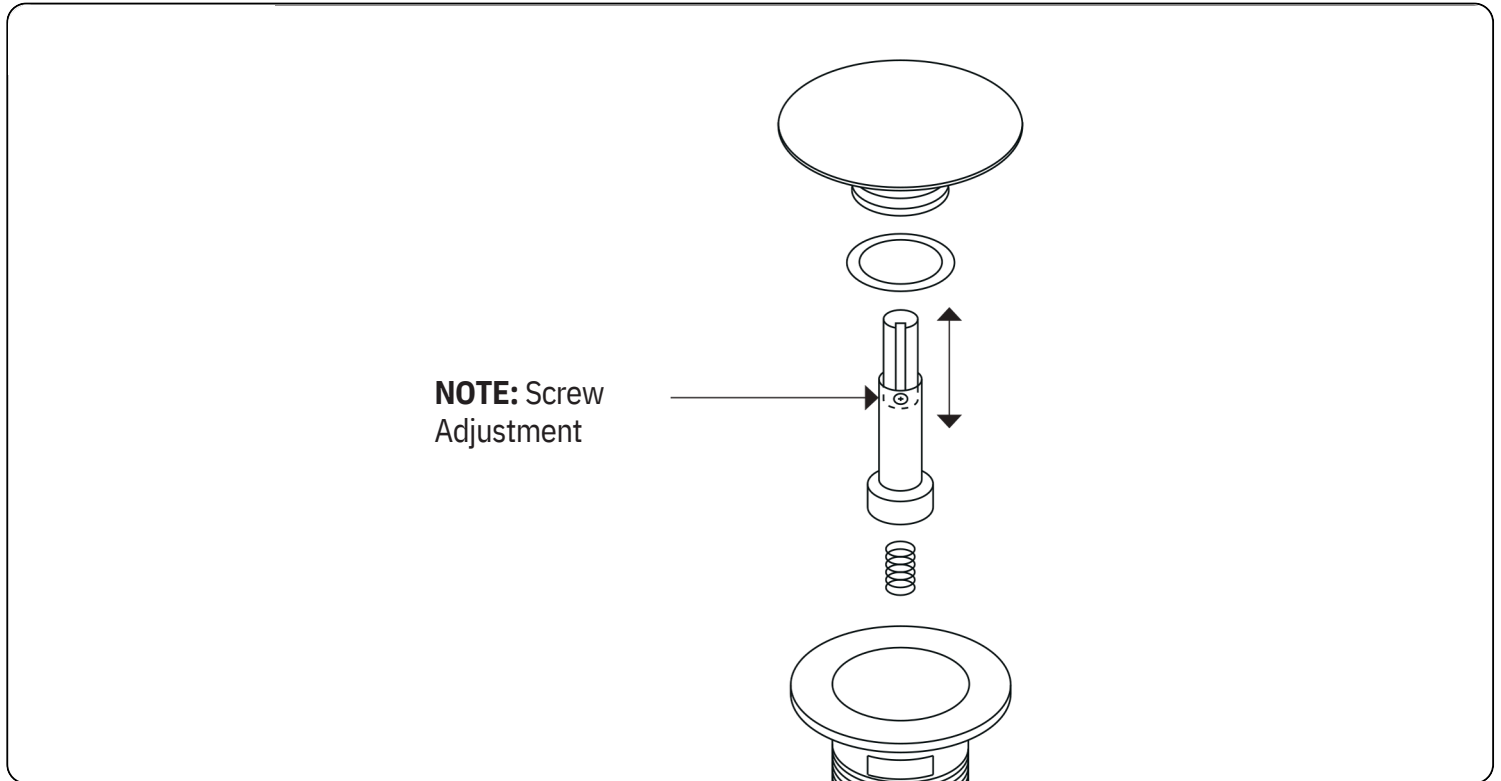
STEP 2



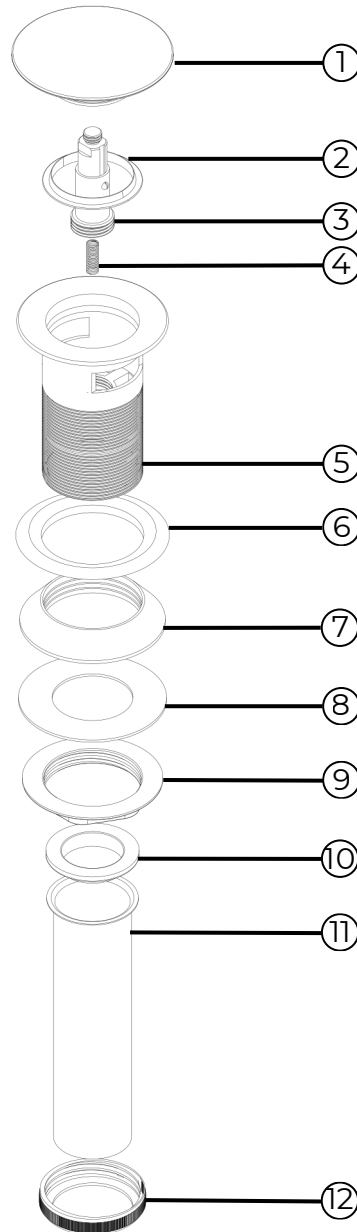
Reinstall the previously removed components onto the drain body from beneath the sink in reverse order, tightening each part using a clockwise motion to ensure a secure fit.

Note: Confirm that all seals and washers are properly aligned before final tightening. Once assembled, proceed to connect the P-trap following the manufacturer's installation instructions for drain alignment and sealing.

STEP 3

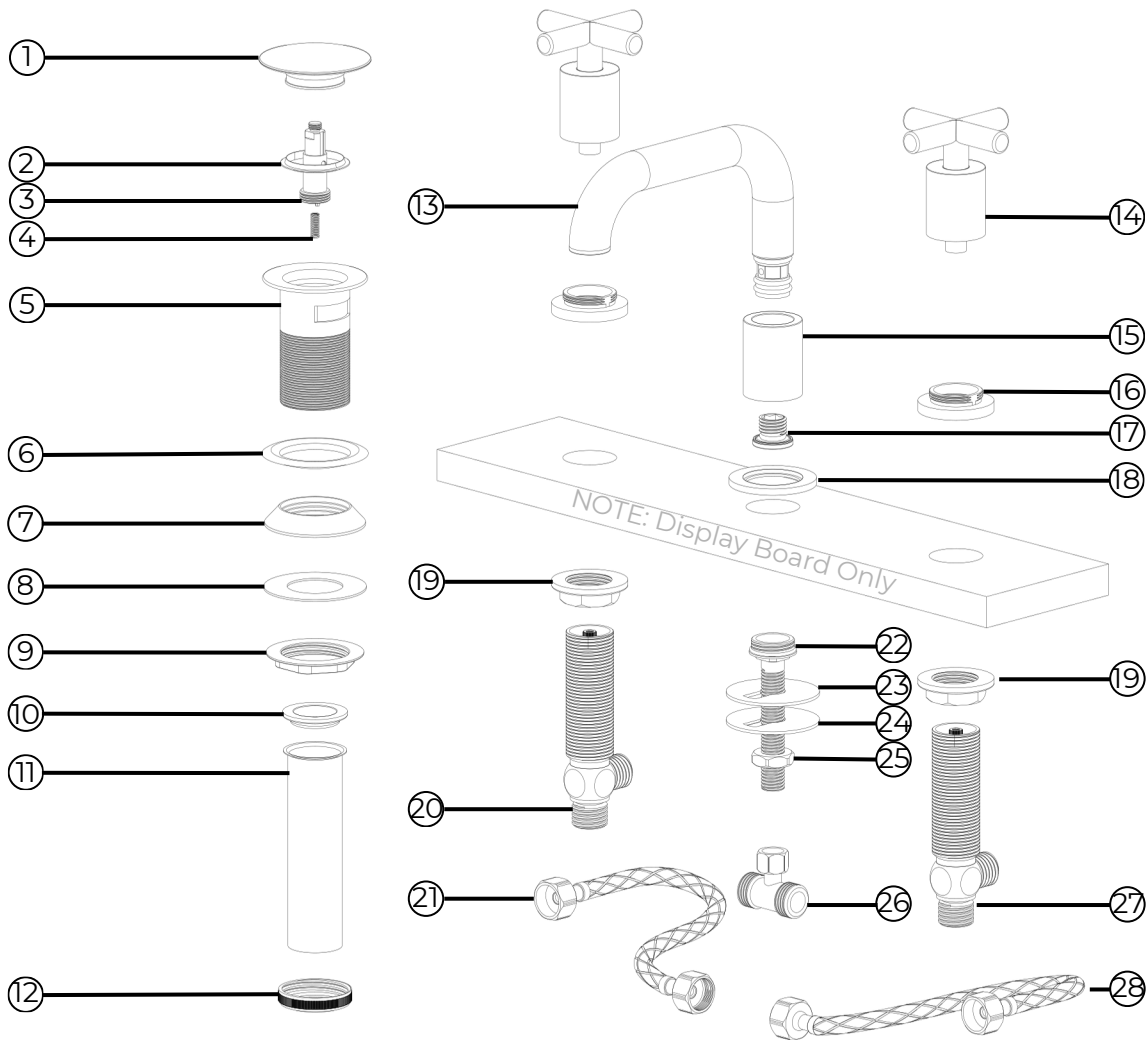


Adjustment: To adjust the height of the umbrella, loosen the adjustment screw and raise or lower the umbrella to the desired position. Once properly positioned, re-tighten the screw securely to hold the umbrella in place.



- ① UMBRELLA PUSH BUTTON
- ② UMBRELLA PUSH BUTTON SEAL
- ③ DRAIN ADJUSTMENT SPINDLE
- ④ SPINDLE SPRING
- ⑤ UMBRELLA DRAIN BODY
- ⑥ UPPER SILICON GASKET

- ⑦ LOWER SILICON GASKET
- ⑧ NYLON PLASTIC WASHER
- ⑨ DRAIN NUT
- ⑩ RUBBER P-TRAP GASKET
- ⑪ P-TRAP COLLAR
- ⑫ COLLAR NUT



- | | |
|-----------------------------|---------------------------|
| ① UMBRELLA PUSH BUTTON | ⑮ FAUCET COLLAR |
| ② UMBRELLA PUSH BUTTON SEAL | ⑯ CROSS HANDLE ESCUTCHEON |
| ③ DRAIN ADJUSTMENT SPINDLE | ⑰ COLLAR NUT |
| ④ SPINDLE SPRING | ⑱ VALVE NUT |
| ⑤ UMBRELLA DRAIN BODY | ⑳ HOT VALVE |
| ⑥ UPPER SILICON GASKET | ㉑ HOT WATER SUPPLY HOSE |
| ⑦ LOWER SILICON GASKET | ㉒ FAUCET SPINDLE |
| ⑧ NYLON PLASTIC WASHER | ㉓ RUBBER WASHER |
| ⑨ DRAIN NUT | ㉔ METAL WASHER |
| ⑩ RUBBER P-TRAP GASKET | ㉕ SPINDLE NUT |
| ⑪ P-TRAP COLLAR | ㉖ T-JOINT |
| ⑫ COLLAR NUT | ㉗ COLD VALVE |
| ⑬ ROUND LOW SPOUT FAUCET | ㉘ COLD WATER SUPPLY HOSE |
| ⑭ CROSS HANDLE | |