

FS313

Harmony Single Hole Faucet

artos®

INSTALLATION GUIDE



FS313

Harmony Single Hole Faucet

artos®

OPERATING SPECIFICATIONS



OPERATING TEMPERATURE

Maximum: 176°

OPERATING PRESSURE

Minimum: 15psi

Maximum: 75psi

Recommended: 25psi-70psi

Operating pressures (on hot and cold lines) should be kept as balanced as possible, in order to assure the maximum efficiency

FLOW RATE

1.2 USGPM

MATERIAL

Solid Brass

INSTALLATION DIMENSIONS

Hole Diameter: 1 3/8"

Maximum surface thickness: 2 1/2"

FEATURES

Included Pop-Up Drain

STANDARDS

To view all standards, please visit product approvals in our learning hub at artos.us.com



2

WESTOVER, INC

4011 S 60TH ST, OMAHA, NE 68117

WWW.ARTOS.US.COM

T: 402-397-3344

All technical specifications, product details, and pricing are subject to change without prior notice. Artos makes every effort to ensure accuracy; however, errors or omissions may occur. It is the responsibility of the installer, designer, or purchaser to verify all critical dimensions, installation requirements, and compliance with applicable codes prior to use.

Artos assumes no liability for damages, losses, or injuries resulting from the use of this documentation or from product installation, operation, or maintenance performed outside of Artos instructions and applicable codes. Product warranties are limited to those expressly stated by Artos. Please refer to official warranty documentation for complete terms and conditions.

All drawings, manuals, and specifications are the property of Artos and may not be reproduced, distributed, or altered without prior written permission.

INDEX

Product Dimensions - FS313.....pg:4

Harmony Single Hole Faucet Installation - FS313.....pg:6-8

Parts Breakdown - FS313.....pg:9

Product Dimensions - F910-12.....pg:10

Pop-Up Drain With Overflow Installation - F910-12.....pg:11-13

Parts Breakdown - F910-12.....pg:14

Parts Breakdown - FS313.....pg:15

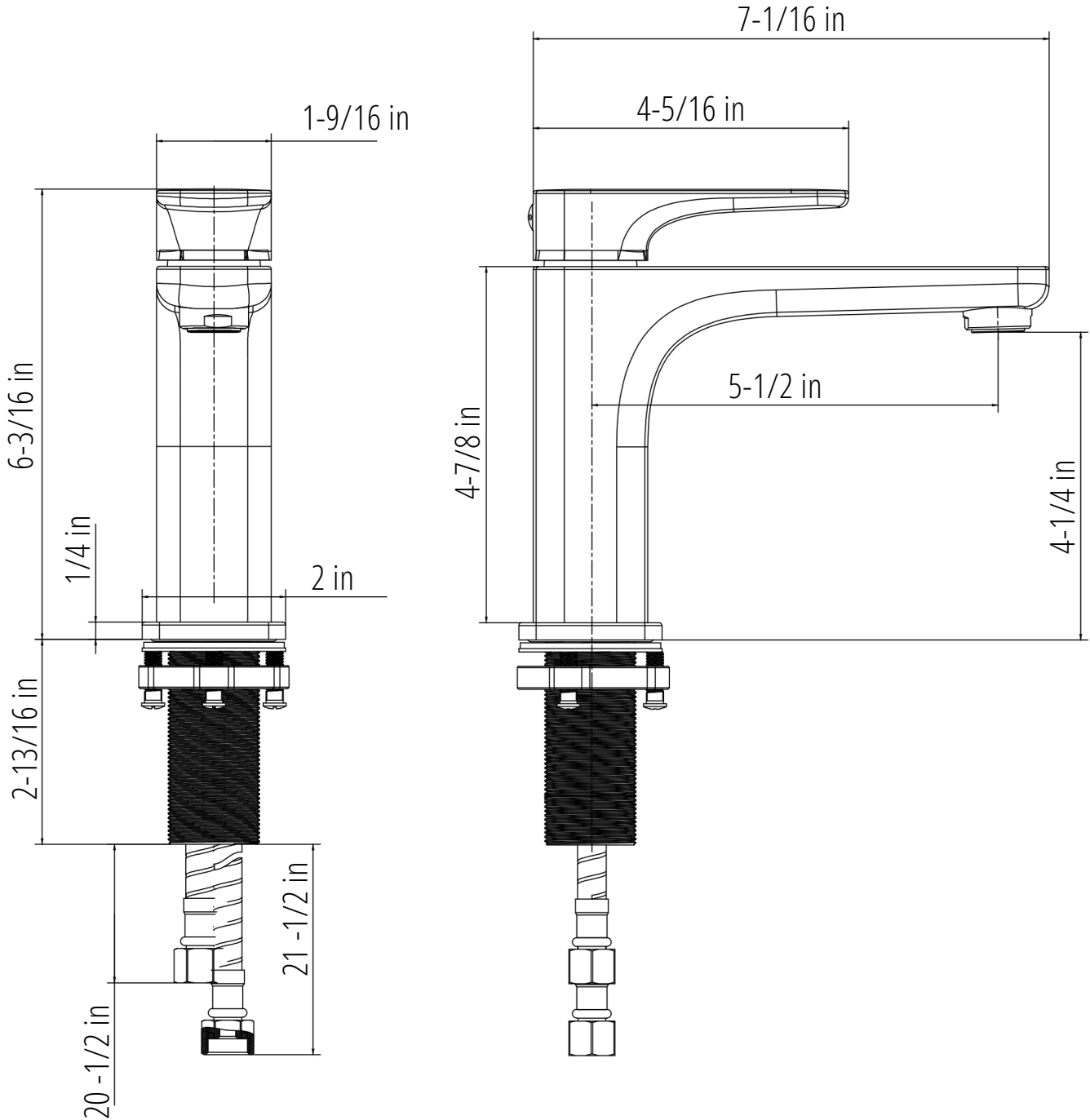
FS313

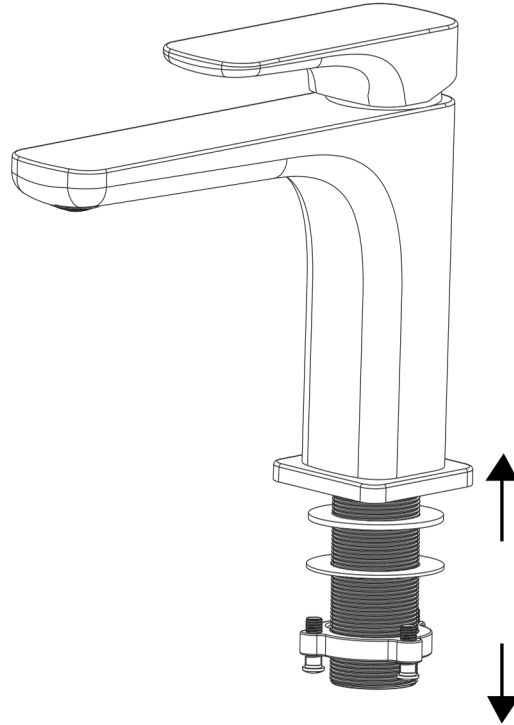
Harmony Single Hole Faucet

artos®

PRODUCT DIMENSIONS

PRODUCT SKU: FS313



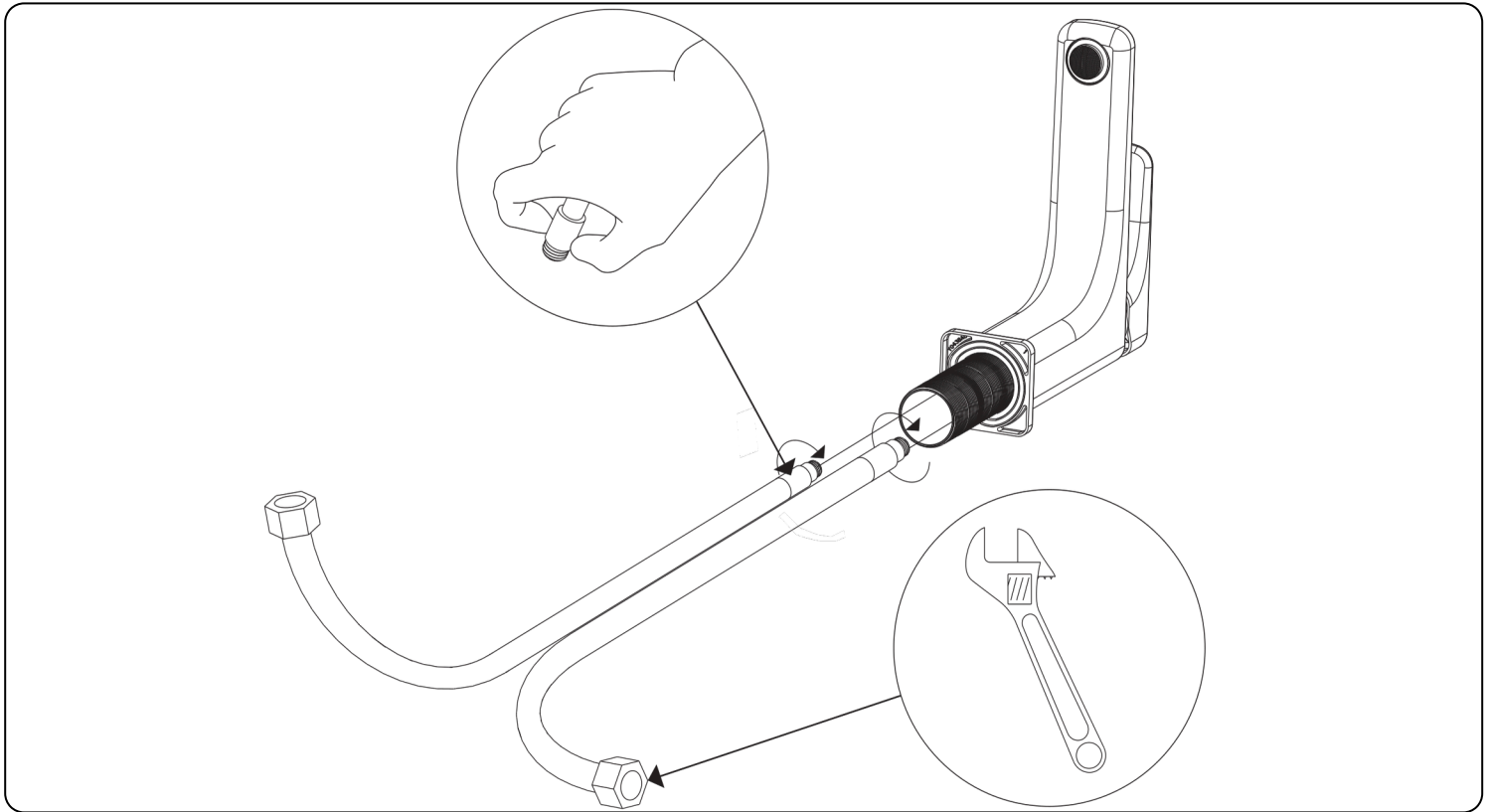
STEP 1**Safety Warnings**

- Shut off the main or local water supply before beginning installation.
- Use caution when handling sharp tools and metal parts.
- Do not overtighten connections, as this may damage components or create leaks.
- Ensure the psi of the local water supply remains in the recommended psi range on the operating specifications page
- Wear protective gloves throughout installation to prevent injury and protect the finish of the components.

Before beginning, verify that all parts and tools required for installation are available. Review the installation diagram in the parts breakdown at the end of this manual.

Remove Securing nut, metal, and rubber washer from the spindle

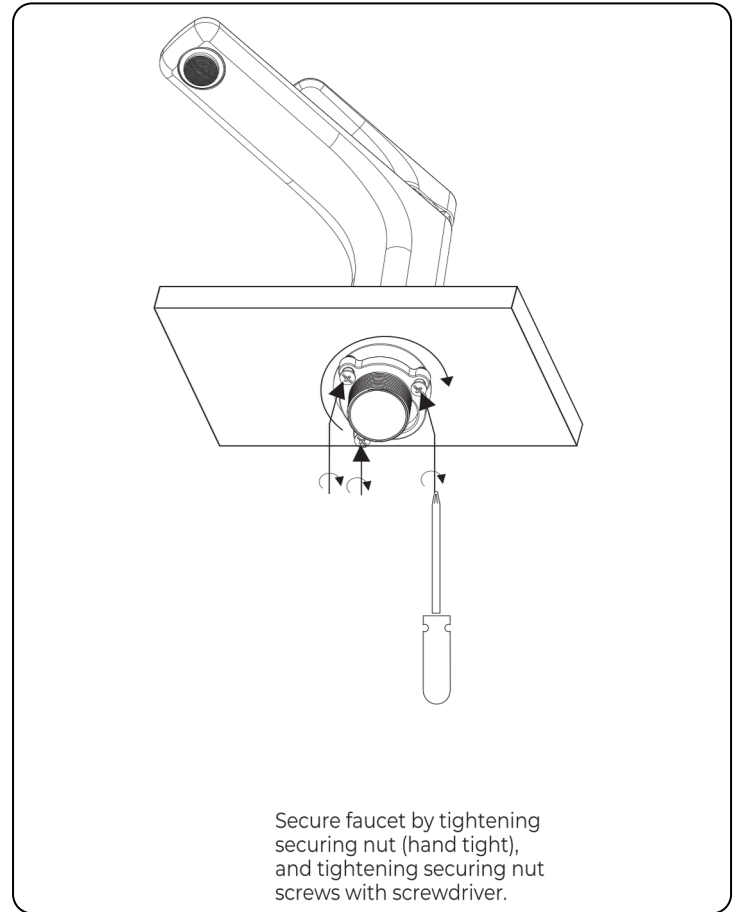
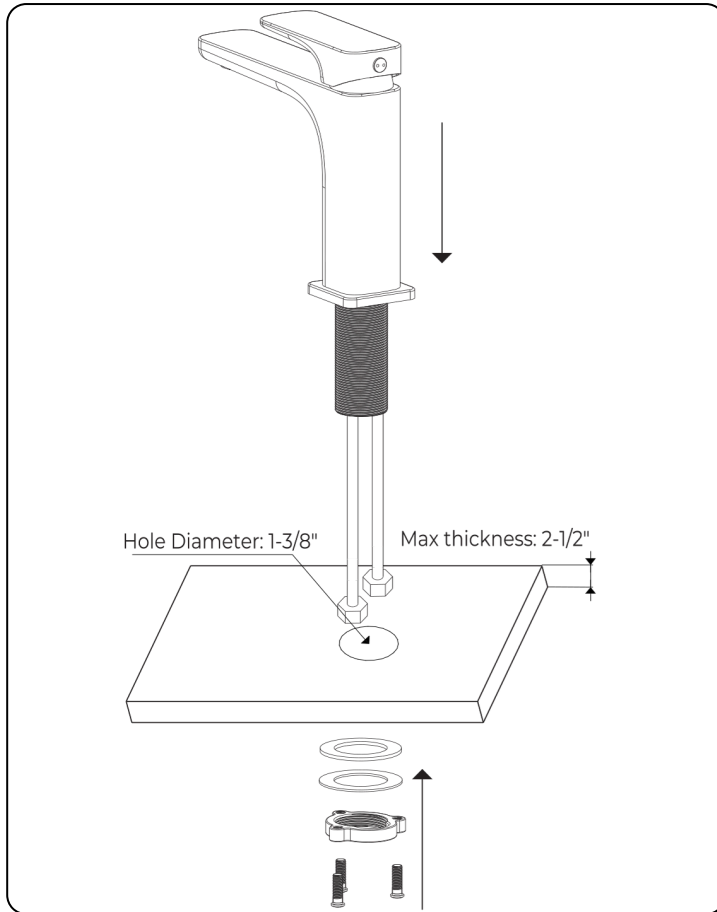
STEP 2



Hand-tighten the hot and cold male-end flexible hoses onto the faucet body, ensuring that the threads engage smoothly to prevent cross-threading. If access is limited, you may need to remove the threaded spindle to create additional workspace. When viewing the faucet from above while looking down the spout, two pipes extend from the bottom of the faucet body: the longer pipe on the right is the cold-water supply, and the shorter pipe on the left is the hot-water supply. Attach each hose to the correct supply pipe to ensure proper function.

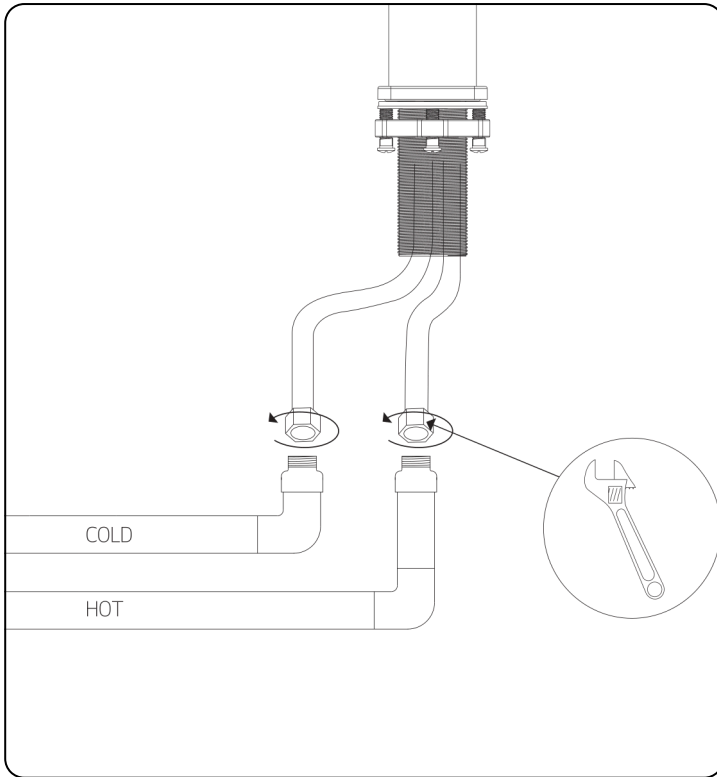
NOTE: DO NOT USE A WRENCH TO TIGHTEN MALE END ONLY THE FEMALE NUT.

STEP 3

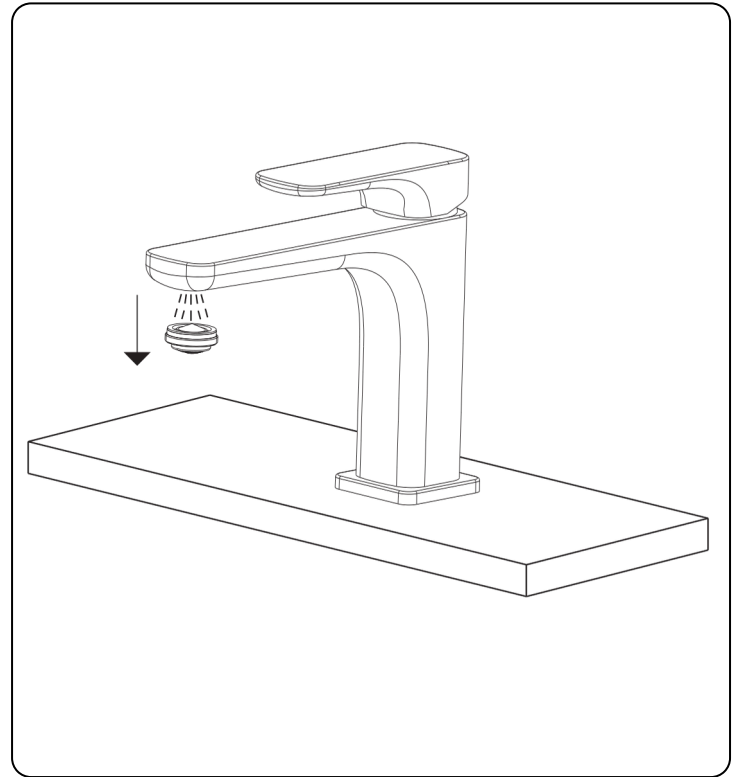


From underneath the countertop, slide a rubber washer followed by a metal washer onto the spindle, positioning them flush against the underside of the surface. Next, hand-tighten the securing nut onto the spindle to hold the faucet in place. Before fully tightening, check the alignment from above and ensure that the faucet sits perpendicular to the wall or backsplash. Once properly aligned, tighten the securing screws with a screwdriver to lock the faucet securely into its final position.

STEP 4



STEP 5



STEP 4

Connect the flexible hoses to the household supply lines using a wrench. Tighten the connections firmly but carefully to avoid over-compression of the rubber seals. Verify that both hot and cold lines are correctly matched and that all fittings are seated properly to prevent leaks during testing.

STEP 5

Remove the aerator from the faucet spout, then turn on the water and allow it to run for approximately one minute. This flushing process removes any debris, sediment, or installation residue from the supply lines and internal components. After flushing is complete, reinstall the aerator securely.

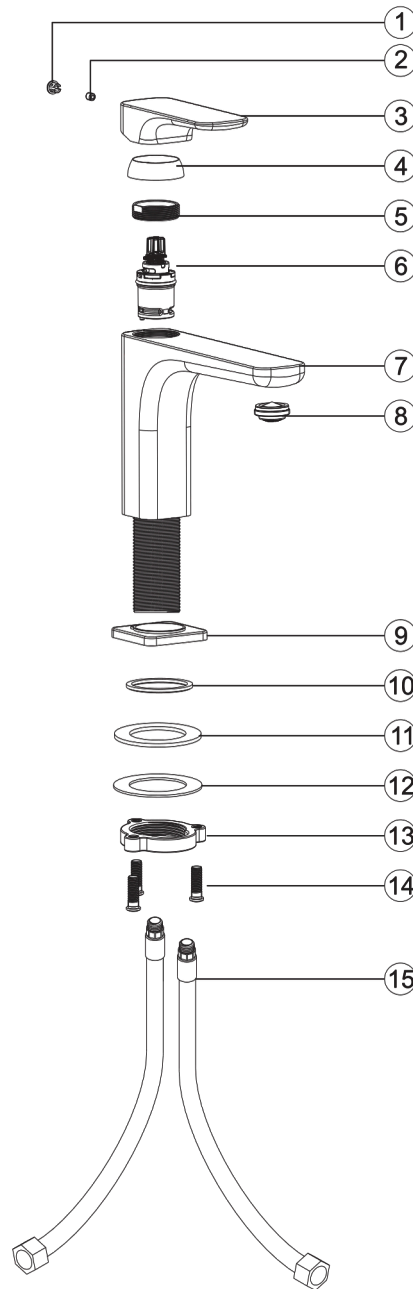
FS313

Harmony Single Hole Faucet

artos®

PARTS BREAKDOWN

PRODUCT SKU: FS313



① SET SCREW CAP

② SET SCREW

③ HANDLE

④ DRESS RING

⑤ CARTRIDGE SECURING NUT

⑥ CARTRIDGE

⑦ FAUCET BODY

⑧ AERATOR

⑨ FAUCET ESCUTCHEON

⑩ FAUCET ESCUTCHEON O-RING

⑪ RUBBER WASHER

⑫ METAL WASHER

⑬ SECURING NUT

⑭ SECURING NUT SCREWS (3)

⑮ SUPPLY HOSE (2)

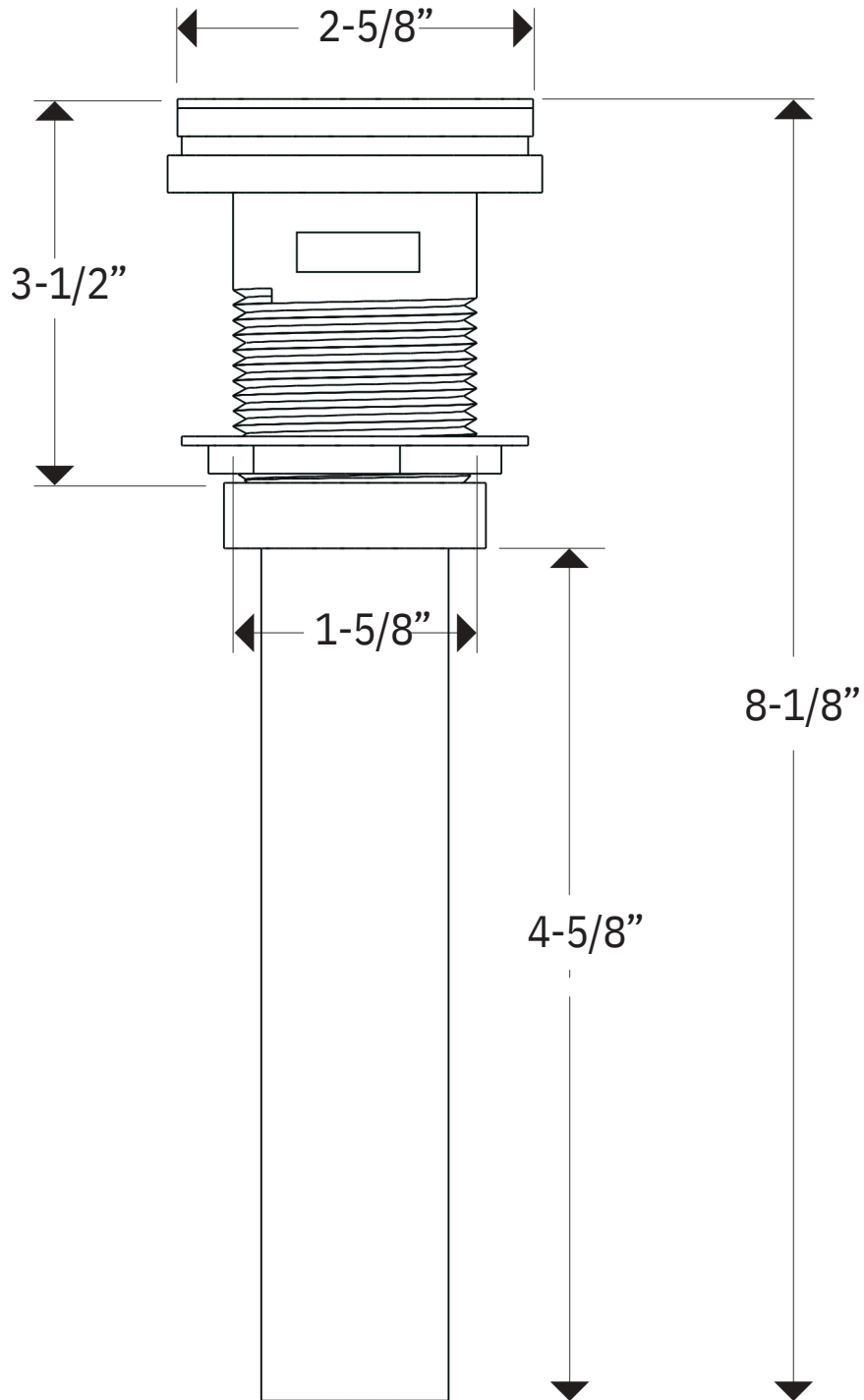
FS313

Harmony Single Hole Faucet

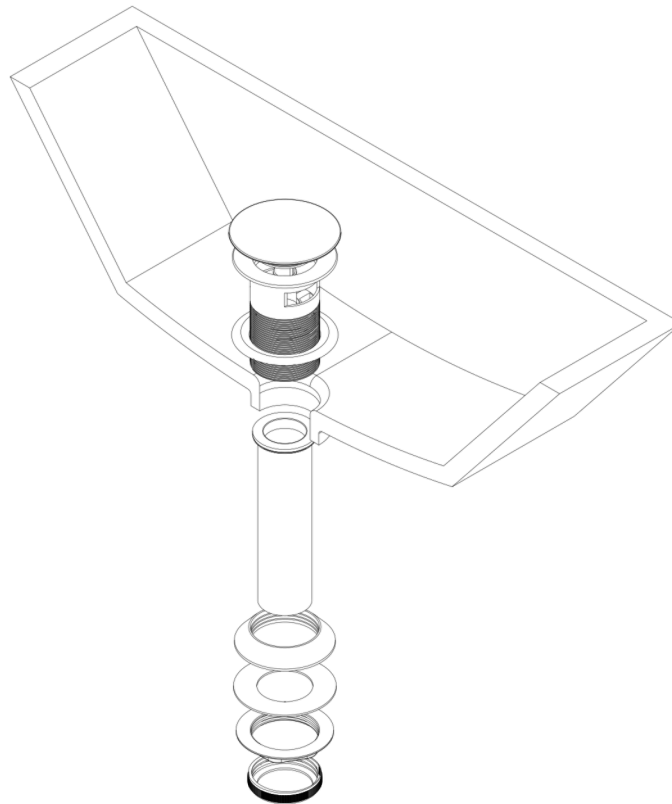
artos®

PRODUCT DIMENSIONS

PRODUCT SKU: F910-12



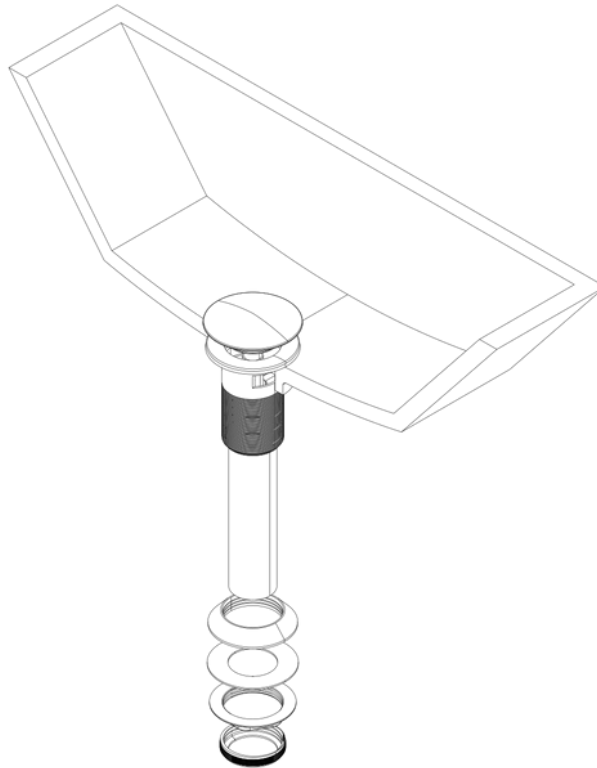
STEP 1



Disassemble the umbrella drain by removing the drain collar, drain collar nut, collar rubber seal, umbrella drain nut, nylon washer, and silicone washer in sequence. Insert the drain body into the sink drain opening from above. From beneath the sink, thread and tighten the securing nut until it sits flush against the underside of the sink surface.

Note: Ensure the silicone washer is properly seated between the drain flange and sink surface to prevent leaks. Do not overtighten the securing nut, as this may damage the sink or washer.

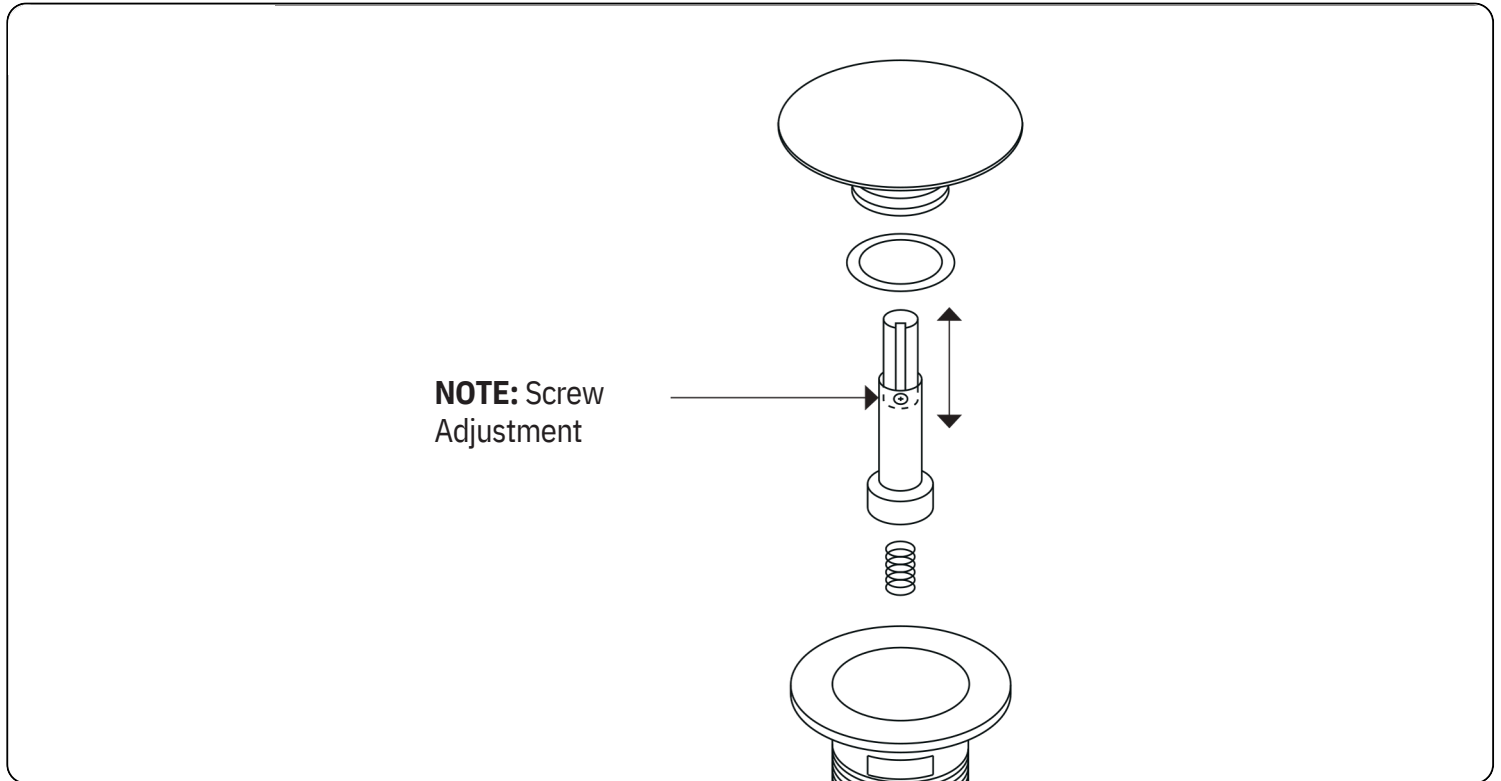
STEP 2



Reinstall the previously removed components onto the drain body from beneath the sink in reverse order, tightening each part using a clockwise motion to ensure a secure fit.

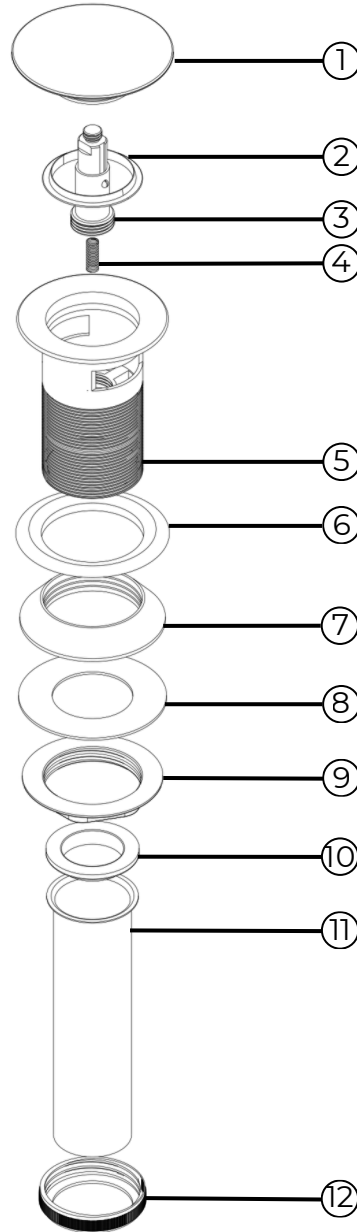
Note: Confirm that all seals and washers are properly aligned before final tightening. Once assembled, proceed to connect the P-trap following the manufacturer’s installation instructions for drain alignment and sealing.

STEP 3



Adjustment: To adjust the height of the umbrella, loosen the adjustment screw and raise or lower the umbrella to the desired position. Once properly positioned, re-tighten the screw securely to hold the umbrella in place.

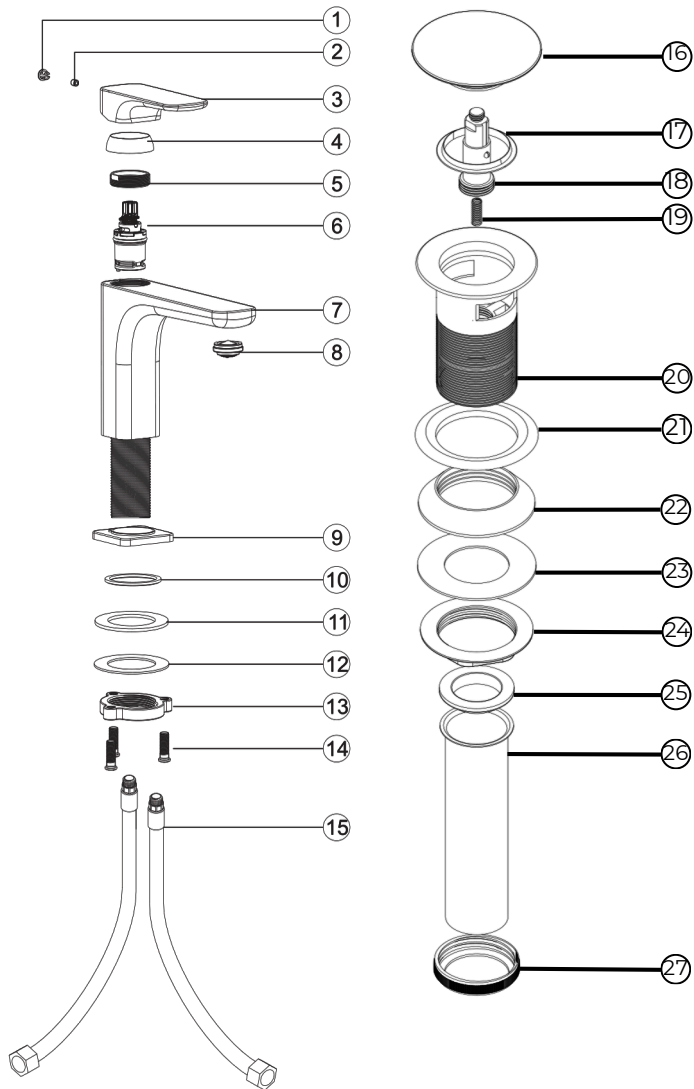
PRODUCT SKU: F910-12



- ① UMBRELLA PUSH BUTTON
- ② UMBRELLA PUSH BUTTON SEAL
- ③ DRAIN ADJUSTMENT SPINDLE
- ④ SPINDLE SPRING
- ⑤ UMBRELLA DRAIN BODY
- ⑥ UPPER SILICON GASKET

- ⑦ LOWER SILICON GASKET
- ⑧ NYLON PLASTIC WASHER
- ⑨ DRAIN NUT
- ⑩ RUBBER P-TRAP GASKET
- ⑪ P-TRAP COLLAR
- ⑫ COLLAR NUT

PARTS BREAKDOWN



- ① SET SCREW CAP
- ② SET SCREW
- ③ HANDLE
- ④ DRESS RING
- ⑤ CARTRIDGE SECURING NUT
- ⑥ CARTRIDGE
- ⑦ FAUCET BODY
- ⑧ AERATOR
- ⑨ FAUCET ESCUTCHEON
- ⑩ FAUCET ESCUTCHEON O-RING
- ⑪ RUBBER WASHER
- ⑫ METAL WASHER
- ⑬ SECURING NUT
- ⑭ SECURING NUT SCREWS (3)
- ⑮ SUPPLY HOSE (2)
- ⑯ UMBRELLA PUSH BUTTON
- ⑰ UMBRELLA PUSH BUTTON SEAL
- ⑱ DRAIN ADJUSTMENT SPINDLE
- ⑲ SPINDLE SPRING
- ⑳ UMBRELLA DRAIN BODY
- ㉑ UPPER SILICON GASKET
- ㉒ LOWER SILICON GASKET
- ㉓ NYLON PLASTIC WASHER
- ㉔ DRAIN NUT
- ㉕ RUBBER P-TRAP GASKET
- ㉖ P-TRAP COLLAR
- ㉗ COLLAR NUT