

artos[®]

FS309

INSTALLATION GUIDE

widespread Trova faucet

BRUSHED NICKEL(BN)



CHROME(CH)



BLACK(BK)



artos[®]

FS309

widespread Trova faucet

OPERATING SPECIFICATIONS



OPERATING FLOW RATE/PRESSURE

1.2 gpm max (6.8L/min) at 60 psi

OPERATING TEMPERATURE

Maximum: 176°

CARTRIDGE

ceramic disk cartridge

STANDARDS

Certified to CUPC

Certified to AB1953

Certified to NSF/ANSI 61

ADA for lever handle

REQUIREMENTS

Max Surface Thickness: 1-5/8"

APPROVALS

- Certified to CUPC
- Certified to AB1953
- Certified to NSF/ANSI 61
- ADA 9 for lever handle

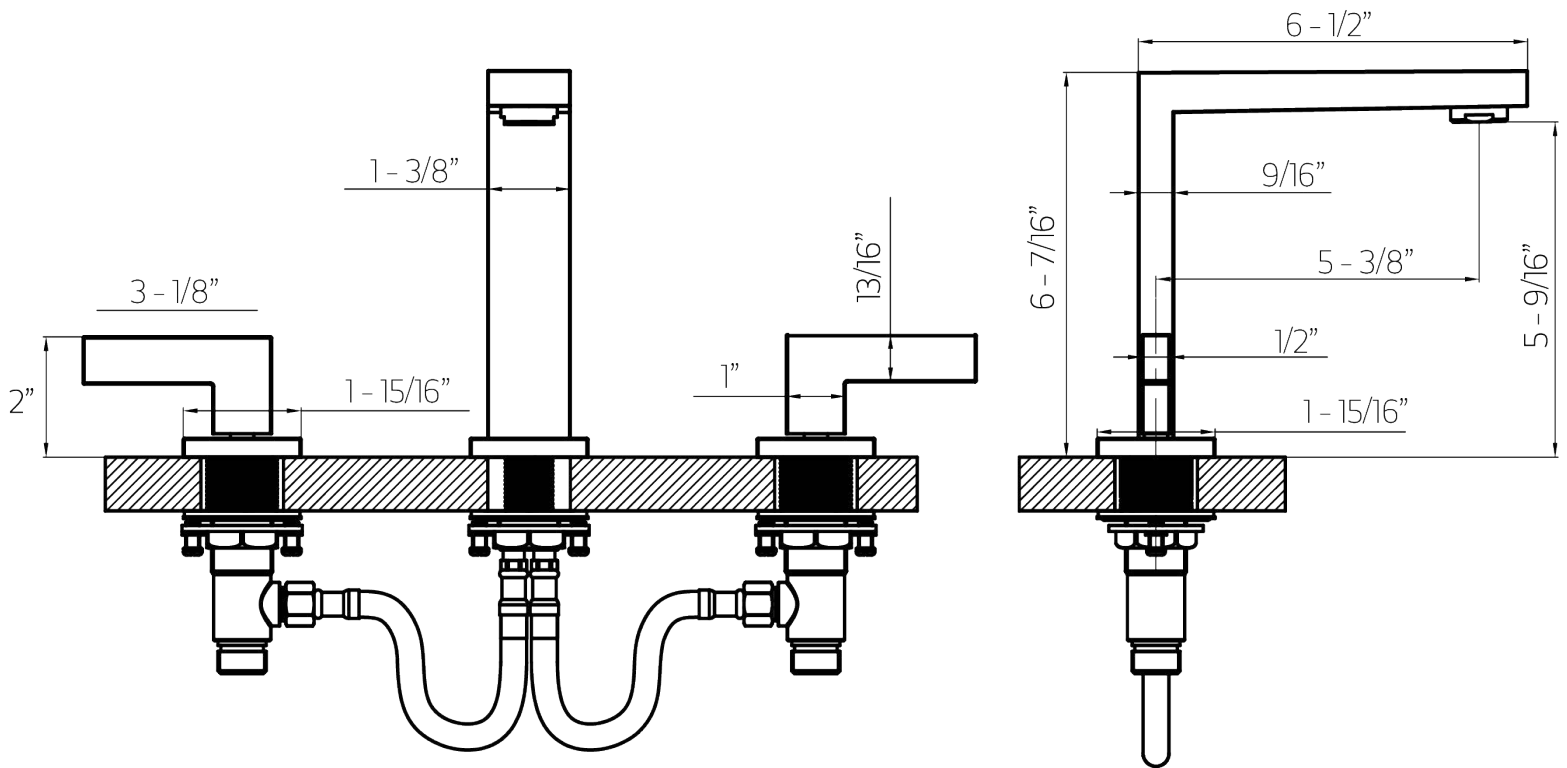


artos[®]

FS309

widespread Trova faucet

PRODUCT DIMENSIONS



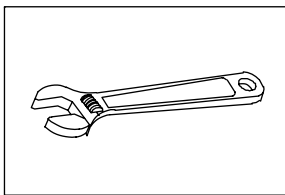
artos[®]

FS309

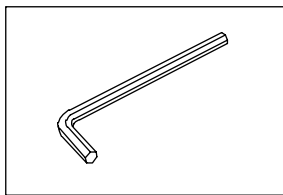
widespread Trova faucet

INSTALLATION STEPS

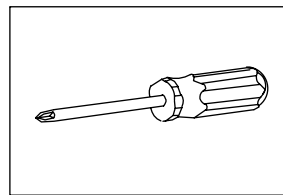
TOOLS FOR INSTALLATION



Adjustable wrench



Hexagon wrench



Philips screwdriver

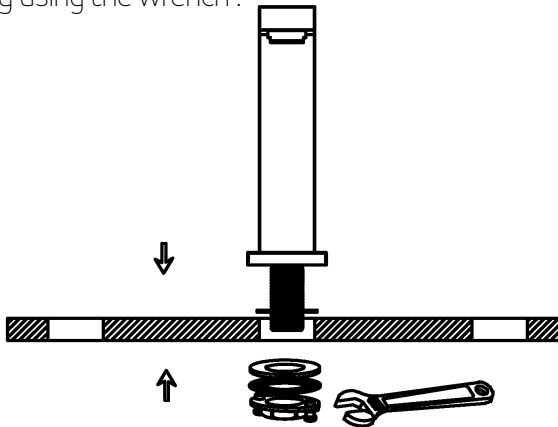
INSTALLATION STEPS

1. Please check that all components are present.
2. Before installation, ensure that all feed lines are clear of debris and on/off valve is present.
3. Ensure water pressure is between 20-125 PSI (includes combination of hot and cold feed lines).
4. Pictures in the manual are general in content and may not represent exactly your purchased faucet. If you are having difficulties please contact a professional plumber.
5. If you will be away from home for an extended period you should shut off the main water supply.

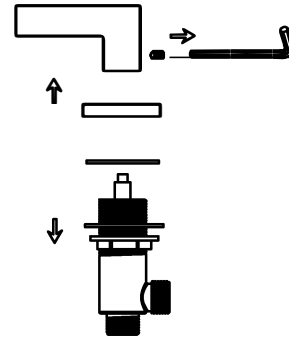
*Note to DO NOT over-tighten the spout as they can snap

STEP 1

1. Remove the T-valve, lock nut and washer from the spout body. Place spout in center hole of sink. Assemble washer and tighten the lock nut to it. Connect the T-valve to the spout body using the wrench.

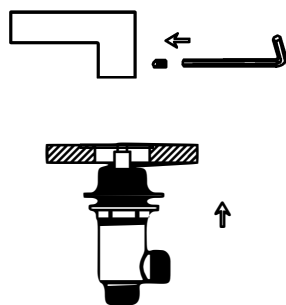


STEP 2



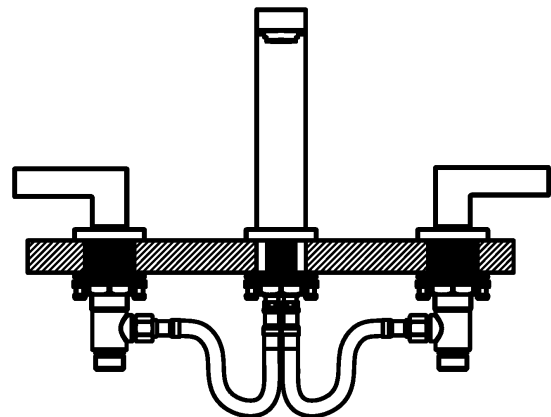
2. Remove mounting hardware from handle body. Connect water supply tube to valve body and tighten with lock nut. Do not allow the water supply brass tube to twist. Use two wrenches, as shown in the diagram, tighten the flexible hose.

STEP 3



3. Place the spout in center hole of sink and handle body through right hole. (Left is red, right is blue). Assemble the rubber washer, washer and tighten with lock nut.

STEP 4



4. Connect handle body and faucet body with braided hoses. Tighten wrench tight.

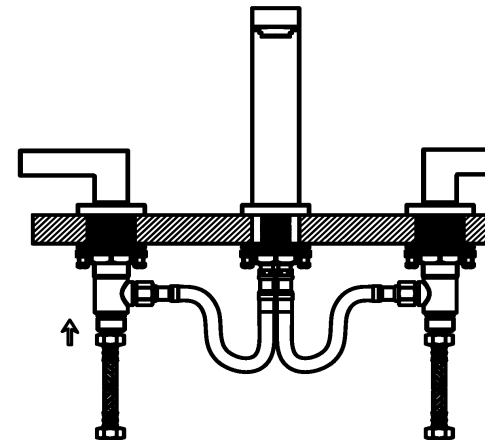
artos[®]

FS309

widespread Trova faucet

INSTALLATION STEPS

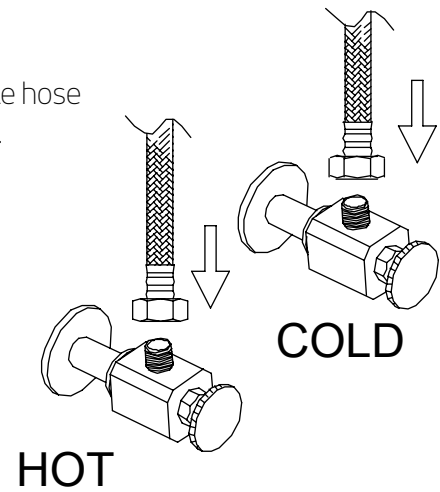
STEP 5



5. Screw and tighten the flexible hose to the faucet. Left is red, right is blue. Do not allow the water supply brass tube to twist.

STEP 6

6. Attach flexible hose to water supply.

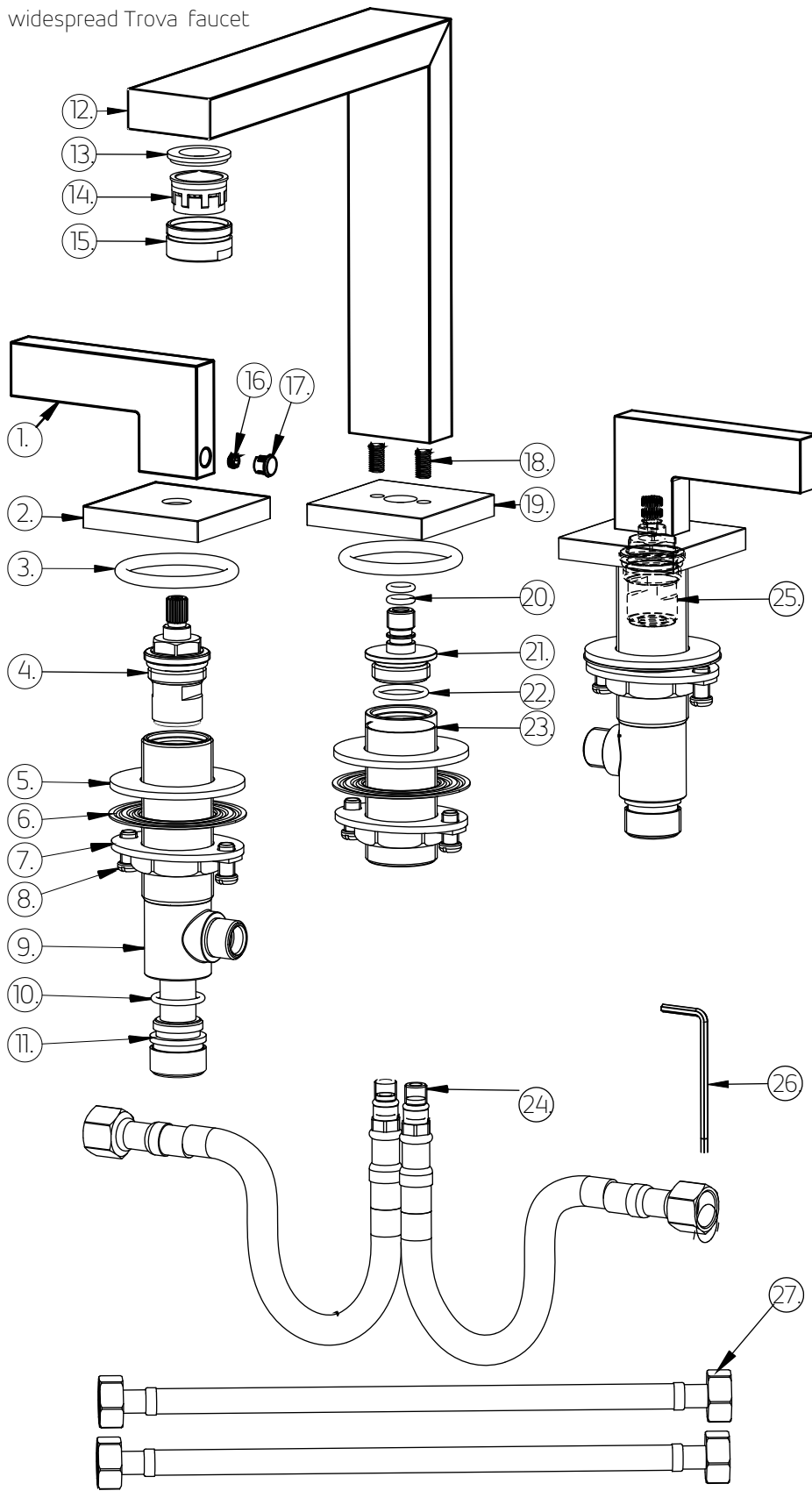


artos®

FS309

widespread Trova faucet

PARTS BREAKDOWN



- 1. handle
- 2. handle escutcheon
- 3. o-ring
- 4. hot side cartridge: XP-12525
- 5. washer
- 6. sus washer
- 7. lock nut
- 8. lock nut screw
- 9. cartridge body
- 10. o-ring
- 11. connector
- 12. spout
- 13. o-ring
- 14. aerator
- 15. aerator securing nut
- 16. handle set screw
- 17. set screw cap
- 18. spout connecting rod
- 19. spout escutcheon
- 20. o-ring
- 21. connector
- 22. o-ring
- 23. connector
- 24. hose
- 25. cold side cartridge: XP-12524
- 26. allen wrench
- 27. supply hoses