

artos[®]

FS308

lav faucet round

INSTALLATION GUIDE

BRUSHED NICKEL(BN)



CHROME(CH)



BLACK (BK)



SATIN BRASS (SB)



artos[®]

FS308

lav faucet round

OPERATING SPECIFICATIONS



OPERATING PRESSURE

Minimum: 15 psi

Maximum: 75 psi

90psi+ may be necessary to install a pressure reducer

OPERATING TEMPERATURE

Maximum: 176°

FLOW RATE

1.2 USGPM

STANDARDS

Certified to CUPC

Certified to ABI953

Certified to NSF/ANSI 61

ADA for lever handle

REQUIREMENTS

Max Surface Thickness: 1-5/8"

APPROVALS

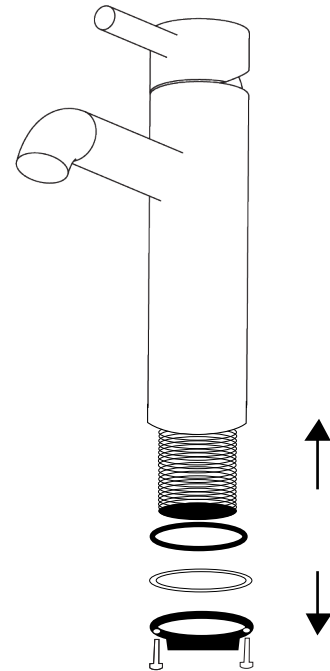


STEP 1

NOTES BEFORE INSTALLATION:

1. Please check that all components are present.
2. Before installation ensure that all feed lines are clear of debris and on/off valve is present.
3. Ensure water pressure is between 20-125 PSI (Includes combination of hot and cold feed lines).
4. Pictures in the manual are general in content and may not represent exactly your purchased faucet. If you are having difficulties please contact a professional plumber.
5. If you will be away from home for an extended period you should shut .off the main water supply.

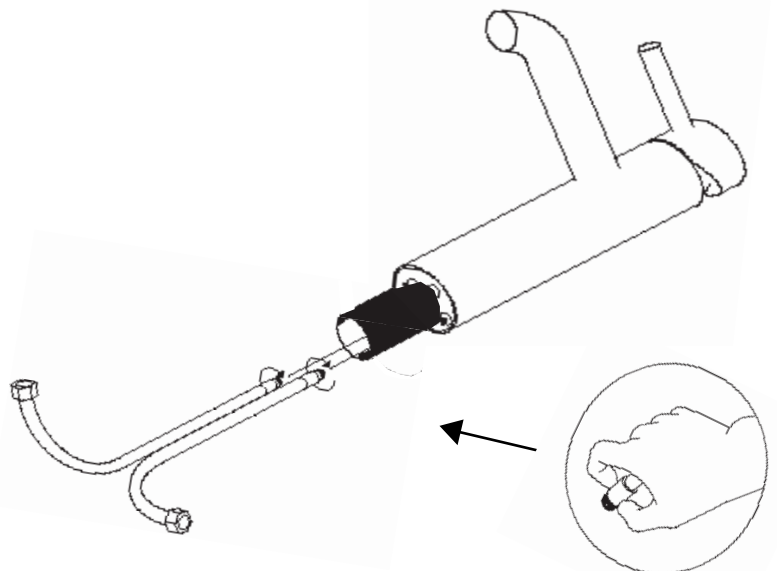
Remove the rubber washer, metal washer and locking nut from the faucet.



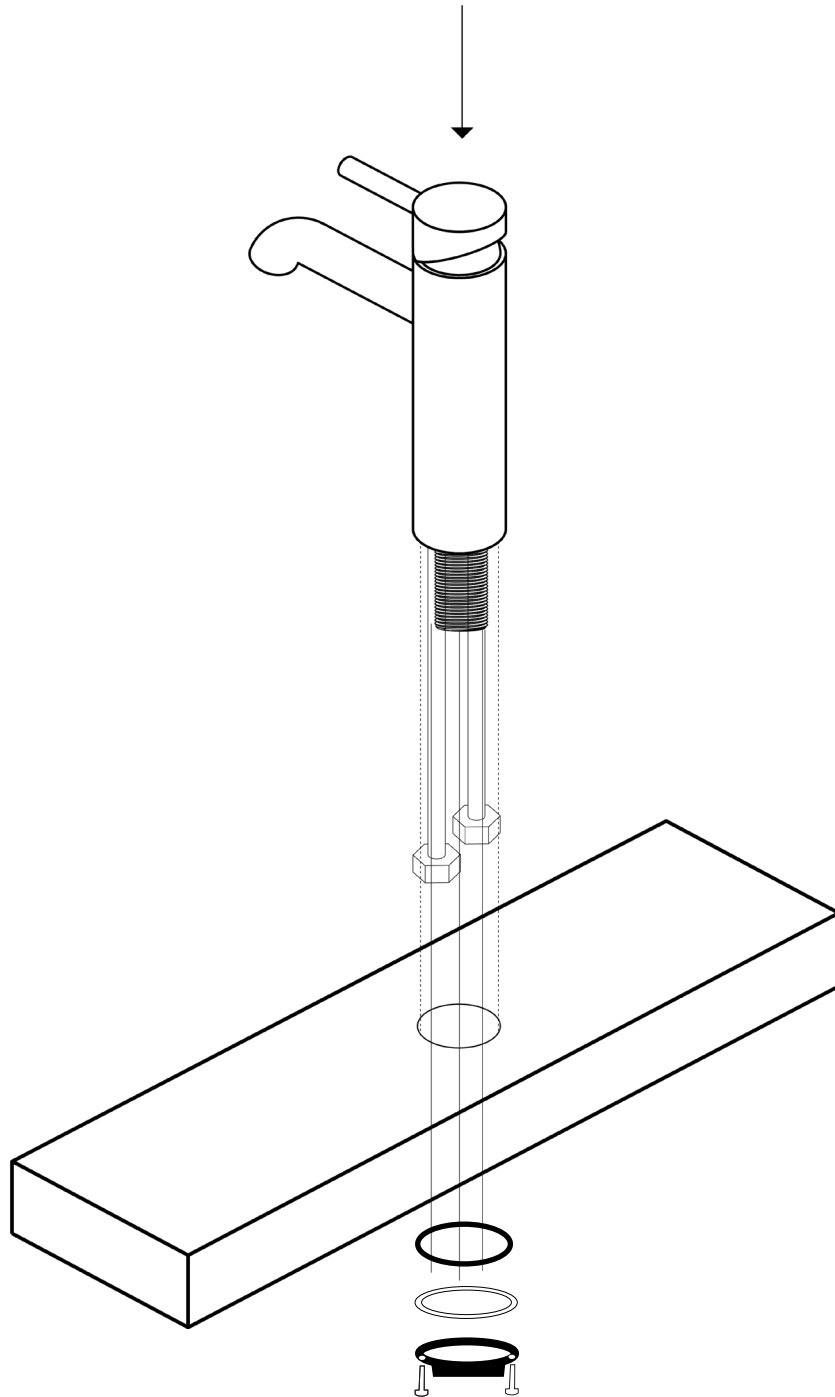
STEP 2

Screw and tighten the hot and cold flexible hoses to the faucet.

DO NOT use a wrench to tighten hoses as this may damage the hose and/or the hose threads.



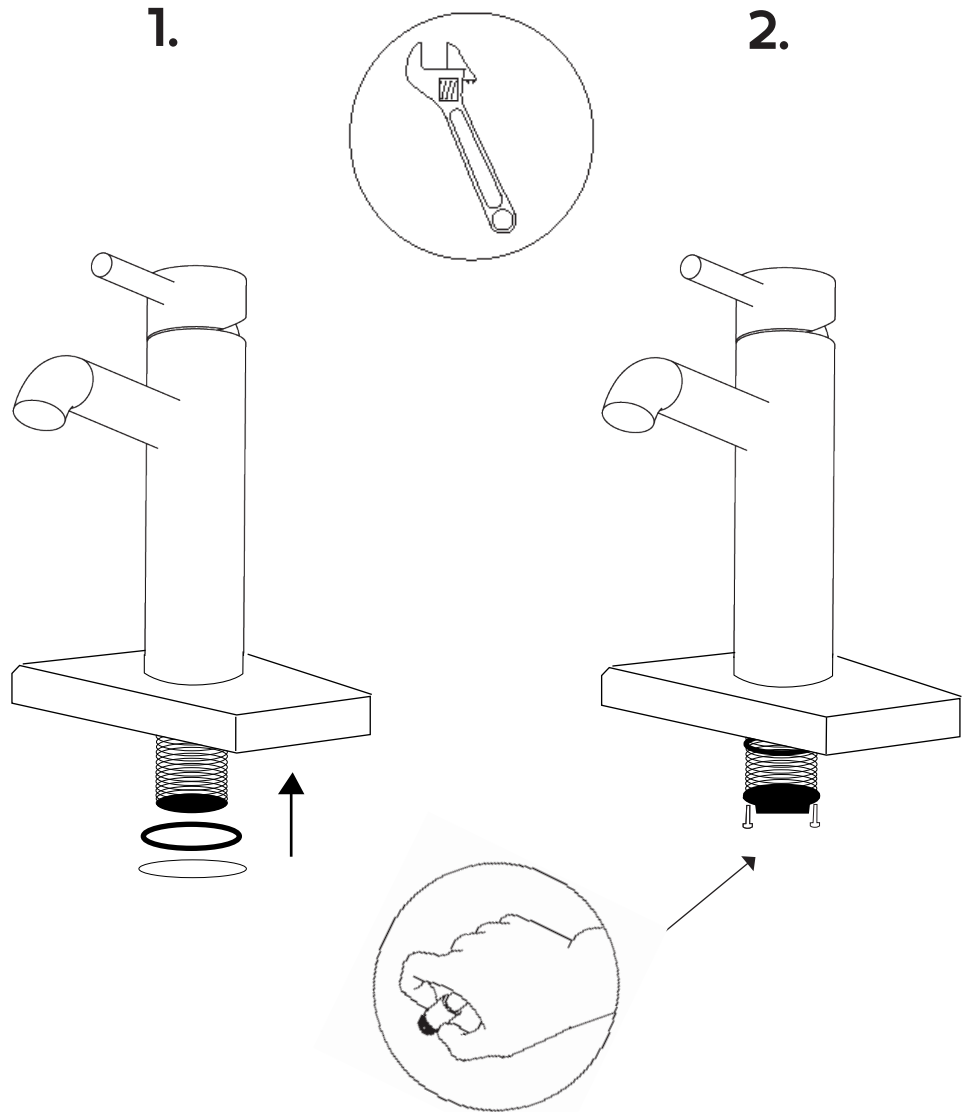
STEP 3



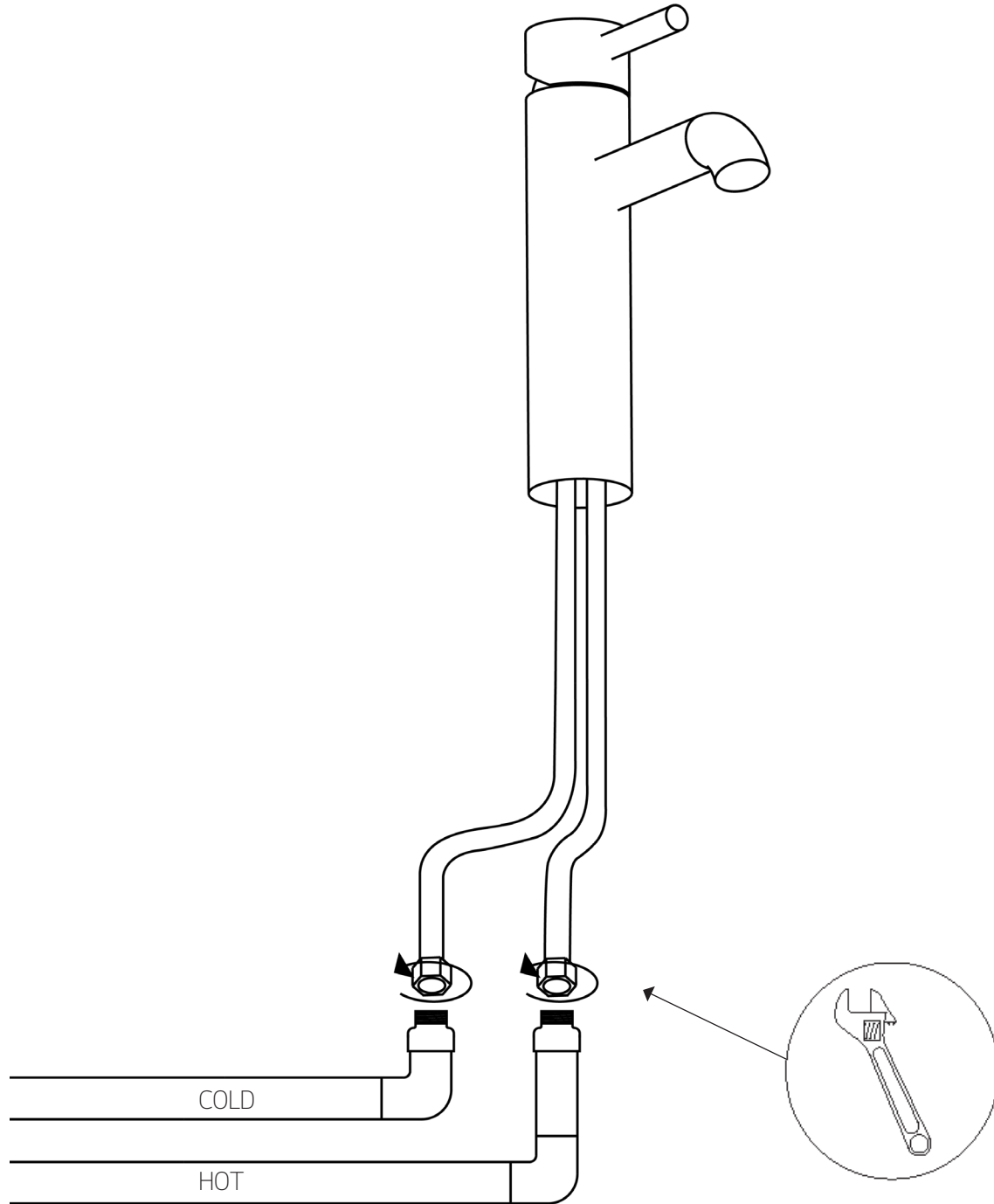
STEP 4

Re-install the rubber washer followed by the metal washer and lock-nut.

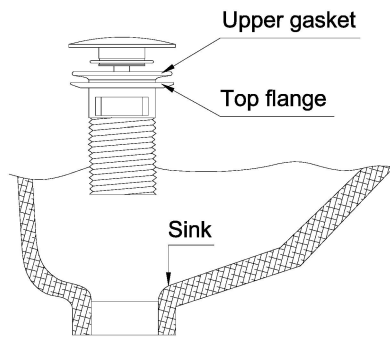
Hand tighten then tighten further using a screw driver to tighten lock, nut screws.



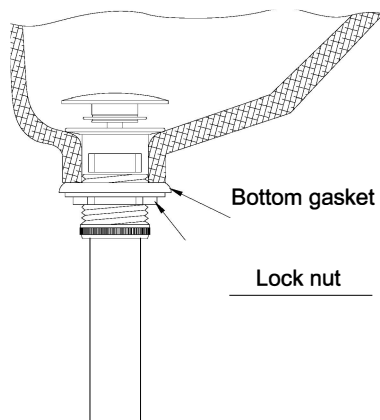
STEP 5



STEP 1



1. Align the upper gasket onto the top flange.
2. Tape some thread seal tape onto the interface of the tailpiece, and connect it to the top flange.



1. Align the bottom gasket and the lock nut onto the tailpiece.
2. Place the drain body at the proper position, and tighten up the lock nut.

- ① FAUCET HANDLE
- ② DRESS RING
- ③ CARTRIDGE SECURING NUT
- ④ CARTRIDGE: XP-12969
- ⑤ FAUCET BODY
- ⑥ FAUCET ESCUTCHEON
- ⑦ THREADED PIPE
- ⑧ SECURING NUT SECURING
- ⑨ NUT SCREWS(2)
- ⑩ FAUCET SPOUT SET SCRE
- ⑪ ALLEN WRENCH
- ⑫ AERATOR WASHER
- ⑬ AERATOR
- ⑭ SUPPLY HOSE O-RING(2)
- ⑮ SUPPLY HOSE(2)

