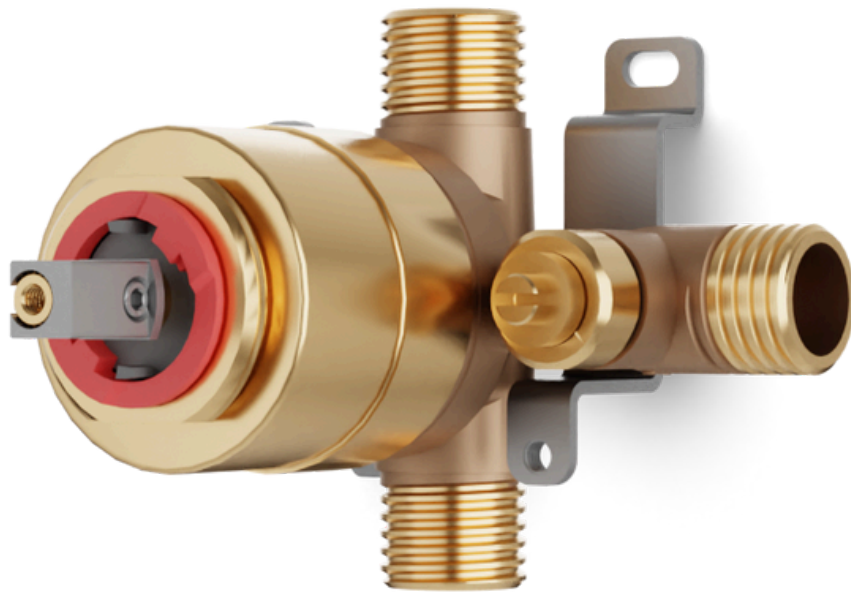


FP232V

Pressure Balance Mixer 1/2" NPT Inlets

artos®

INSTALLATION GUIDE

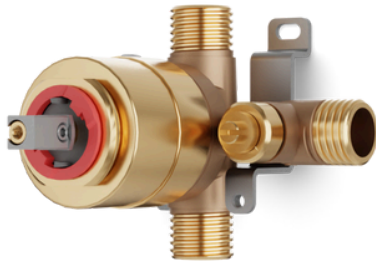


FP232V

Pressure Balance Mixer 1/2" NPT Inlets

artos®

OPERATING SPECIFICATIONS



MIXED WATER TEMPERATURE

Maximum: 120°

OPERATING TEMPERATURE

Maximum: 176°

OPERATING PRESSURE

Minimum: 20psi

Maximum: 125psi

Recommended: 30psi-95psi

Above 90psi it may be necessary to install a pressure reducer

Operating pressures (on hot and cold lines) should be kept as balanced as possible, in order to assure the maximum efficiency.

INLET/OUTLET CONNECTIONS

1/2" NPT Threaded

FEATURES

Solid Brass Body

Replaceable Cartridge

STANDARDS

ASSE 1016.ASME A112.18.1/CSA B123.1 Certified



All technical specifications, product details, and pricing are subject to change without prior notice. Artos makes every effort to ensure accuracy; however, errors or omissions may occur. It is the responsibility of the installer, designer, or purchaser to verify all critical dimensions, installation requirements, and compliance with applicable codes prior to use.

Artos assumes no liability for damages, losses, or injuries resulting from the use of this documentation or from product installation, operation, or maintenance performed outside of Artos instructions and applicable codes. Product warranties are limited to those expressly stated by Artos. Please refer to official warranty documentation for complete terms and conditions.

All drawings, manuals, and specifications are the property of Artos and may not be reproduced, distributed, or altered without prior written permission.

FP232V

Pressure Balance Mixer 1/2" NPT Inlets

artos®

INDEX

INDEX

Product Dimensions.....pg:4

Pressure Balance Mixer 1/2" NPT Inlets FP232V.....pg:5-9

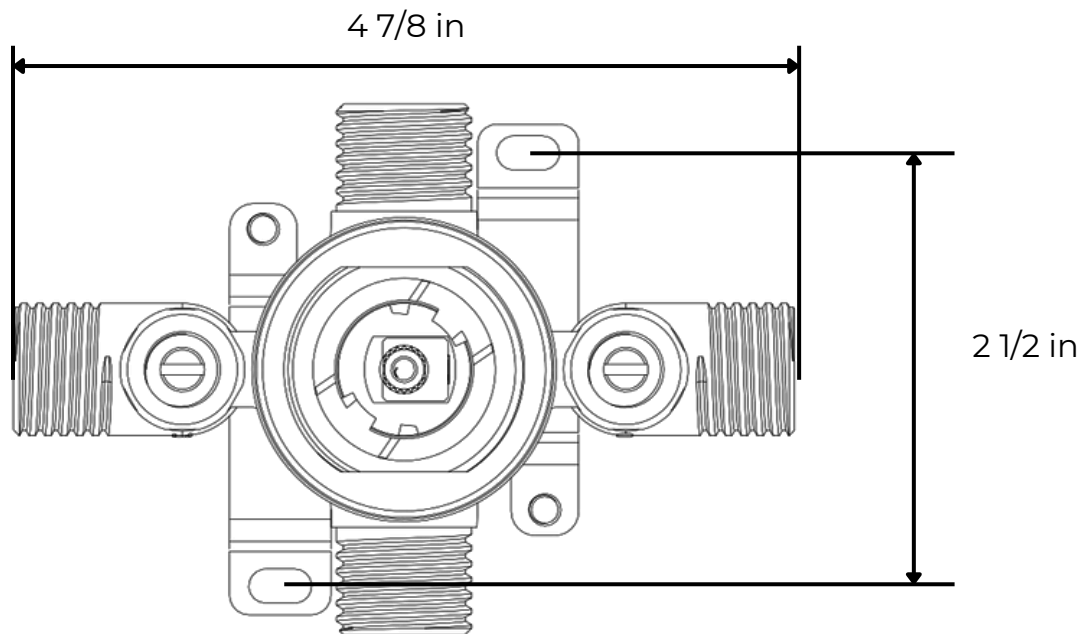
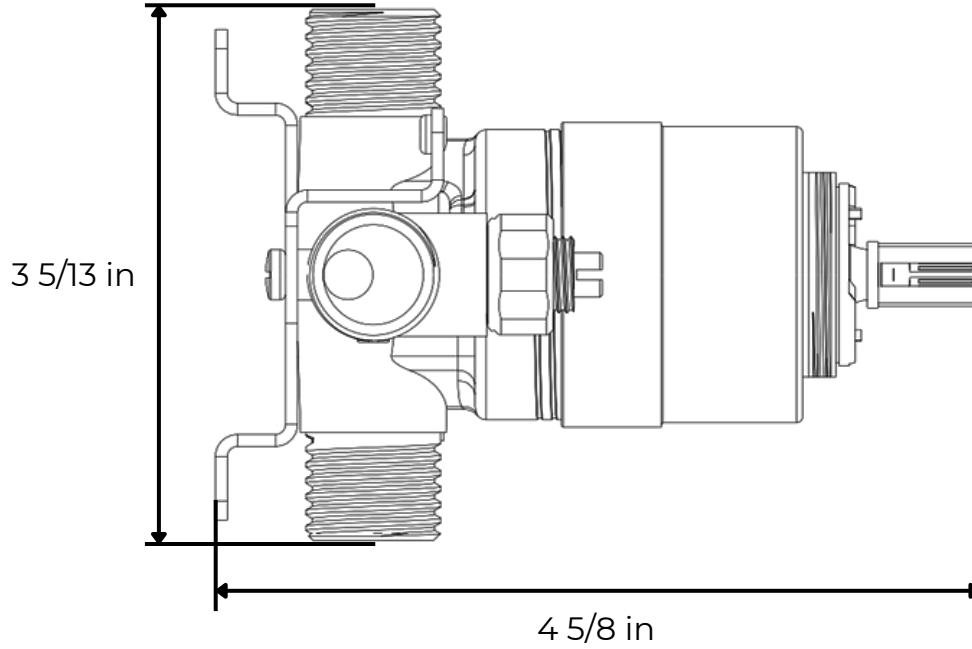
Parts Breakdown FP232V.....pg:10

FP232V

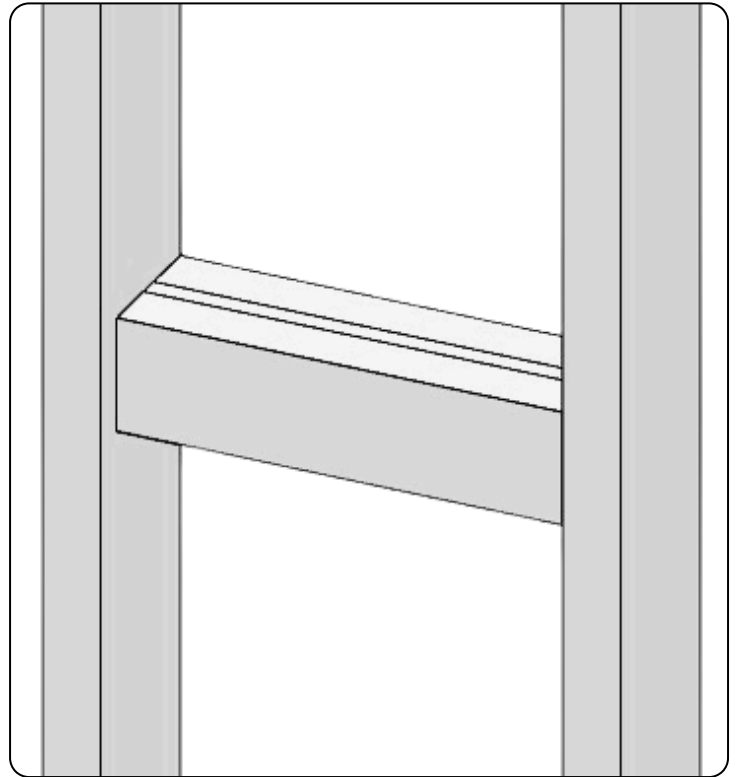
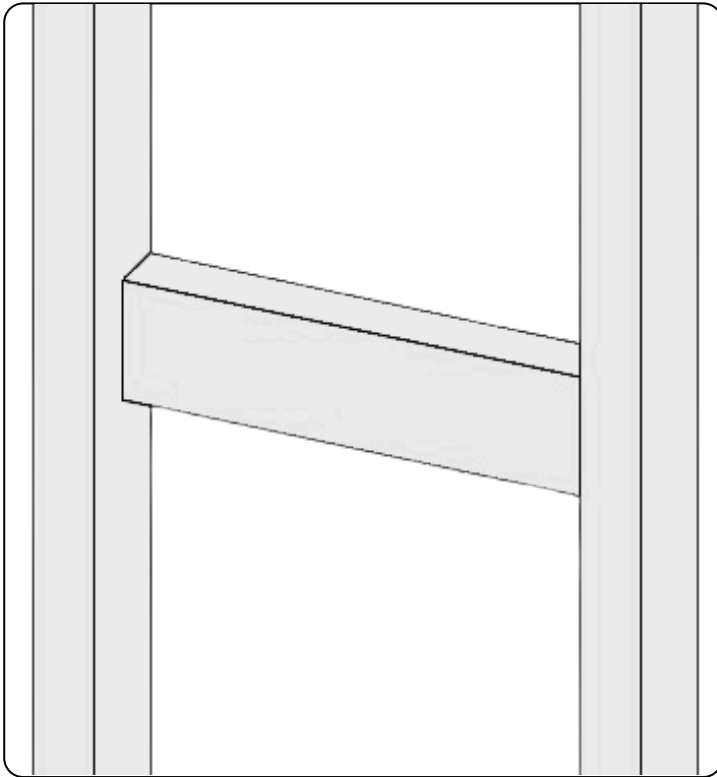
Pressure Balance Mixer 1/2" NPT Inlets

artos®

PRODUCT DIMENSIONS



STEP 1



Safety Warnings:

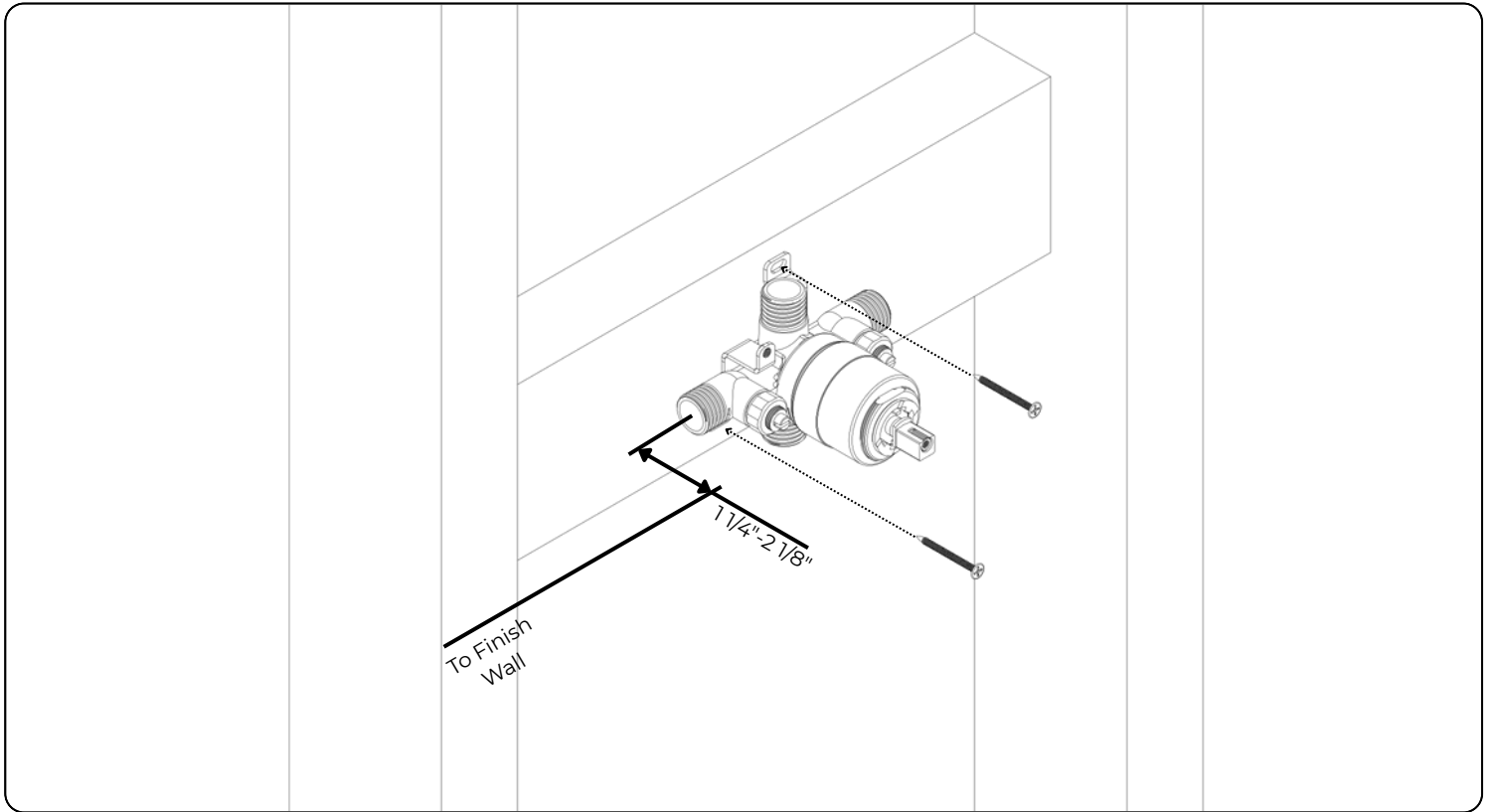
- Shut off the main or local water supply before beginning installation.
- Use caution when handling sharp tools and metal parts.
- Do not overtighten connections, as this may damage components or create leaks.

Begin by confirming that all required components are present and undamaged. Review the Parts Breakdown diagram to familiarize yourself with the parts of the valve, supply lines, and outlets. Identify the hot and cold supply locations—hot on the left and cold on the right when facing the installation wall.

A solid backing must be installed behind the valve to provide proper support and long-term stability.

- For standard **2x4** wall construction, install a single **2x4** backer behind the valve.
- For **2x6** wall construction, use **two 2x4** backers with a **1/2"** plywood spacer between them for secure installation.

STEP 2



Before installation, note that the distance from the finished wall surface falls within the range defined by the outer edge of the plaster guard.

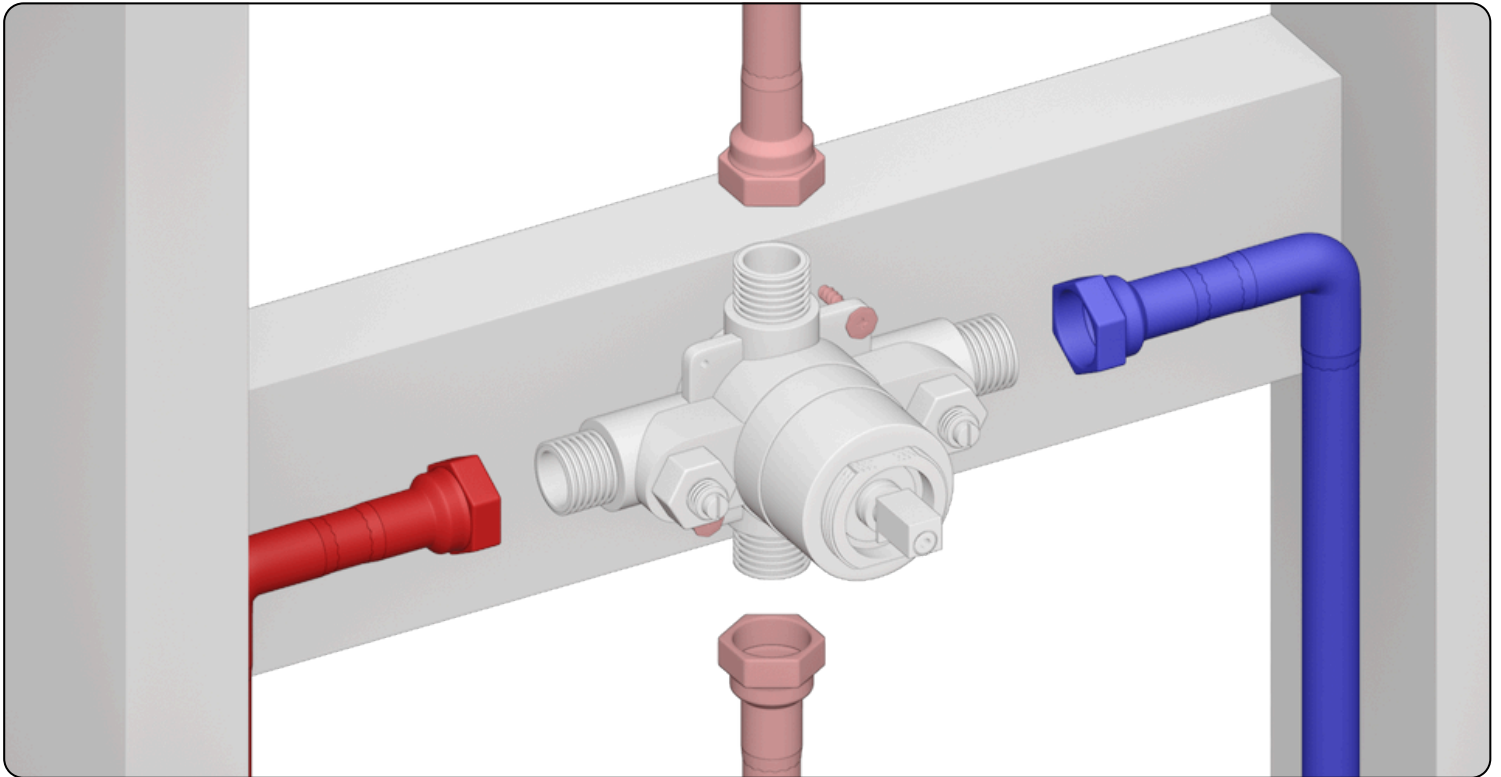
Determine the final position of the valve within the wall cavity and ensure it is properly aligned before securing. The valve should be installed level and centered in relation to the intended trim location. Once the position has been confirmed, secure the valve to the backing using lag or deck screws.

Confirm the wall depth by comparing the plaster guard depth when installed

- Minimum Depth: **1 1/4"** from the center of the supply line to the finished wall surface.
- Maximum Depth: **2 1/8"**

If the valve is installed too deep, use a **1" extension kit (Part No. XP-13279)** or adjust solid wood framing to bring the valve forward. Always double-check alignment before closing the wall to prevent rework during trim installation.

STEP 3



Connect the hot (left) and cold (right) supply lines using **1/2"** NPT fittings. Apply thread sealant or PTFE (plumber's) tape to all male threads before tightening securely. Use **1/2"** copper tubing to ensure sufficient flow for the diverter spout to work correctly

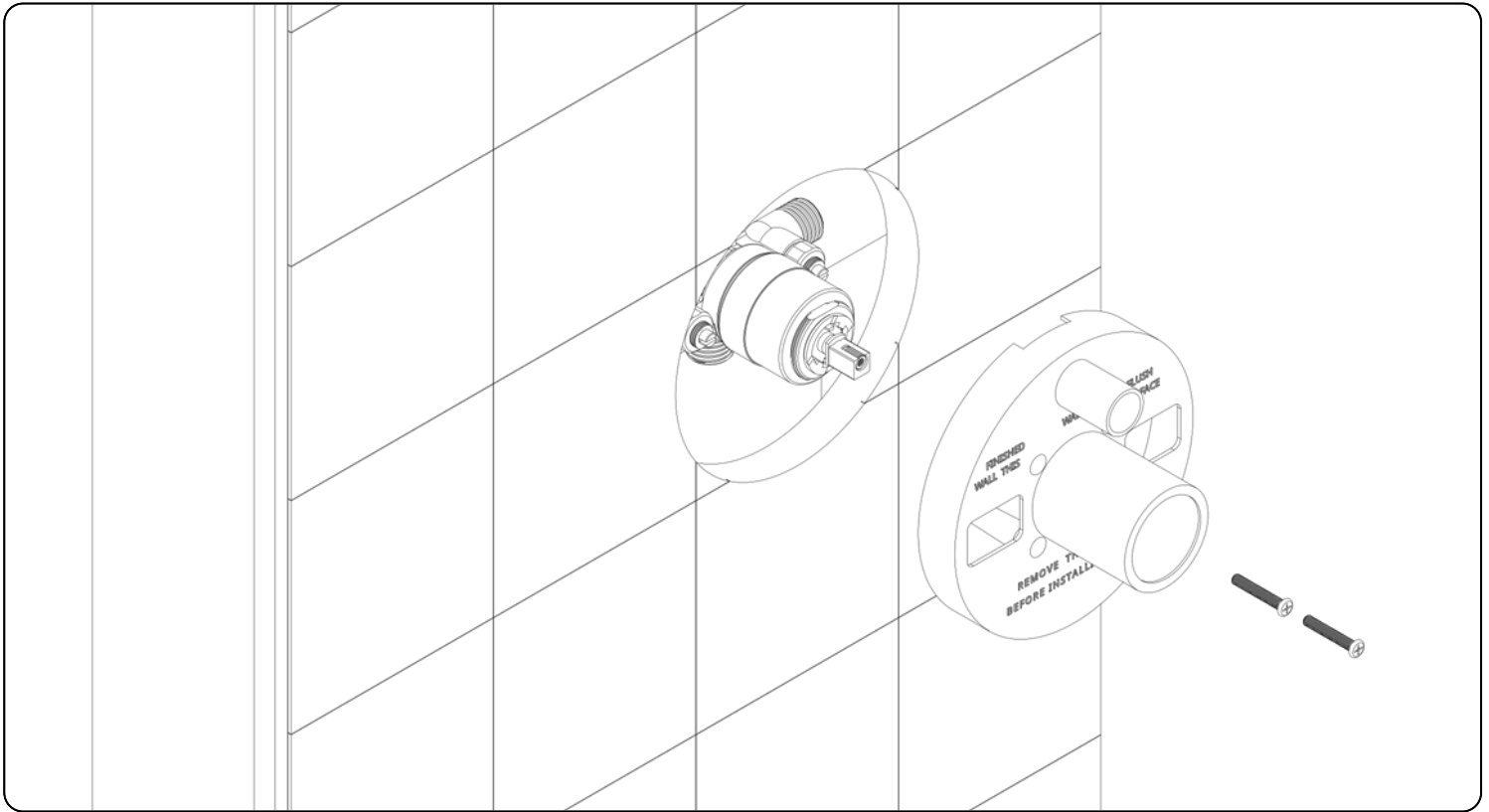
NOTE: If using a torch or heat source near the valve body, remove the cartridge beforehand to prevent heat damage.

The cartridge is reversible for retrofit applications. In the standard orientation (hot on the left, cold on the right), the handle cycles from cold to hot as it turns. If supply lines are reversed, the handle will cycle hot to cold—this is normal and will not affect function.

Flow Operation:

- Top outlet activates when the handle turns counterclockwise from the 6 o'clock OFF position.
- Bottom outlet activates when the handle turns clockwise from the OFF position.
- If the bottom outlet is capped, clockwise rotation will not produce flow; this is normal operation.

STEP 4



Attach the plaster guard to the valve using the provided mounting bolts. The guard protects the valve during wall finishing.

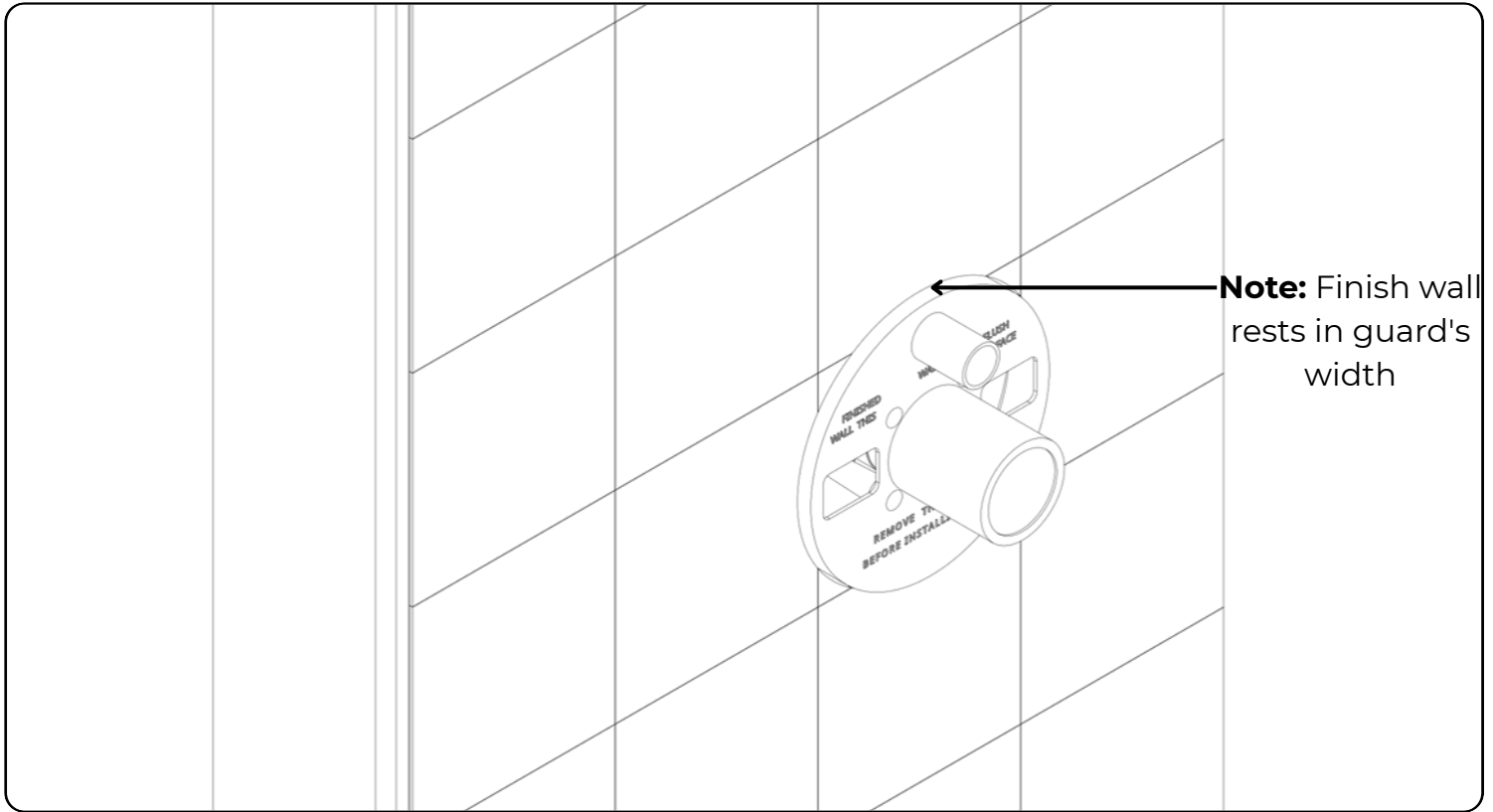
Once tile, stone, or wall paneling is ready to be installed, use the plaster guard as a template to mark your cutout. Cut a **6"** diameter circular opening centered on the valve to accommodate service stop adjustment and allow clearance for handle operation.

Reinstall the guard until the diverter trim set is ready to be installed. See the individual trim manual for installation.

IMPORTANT:

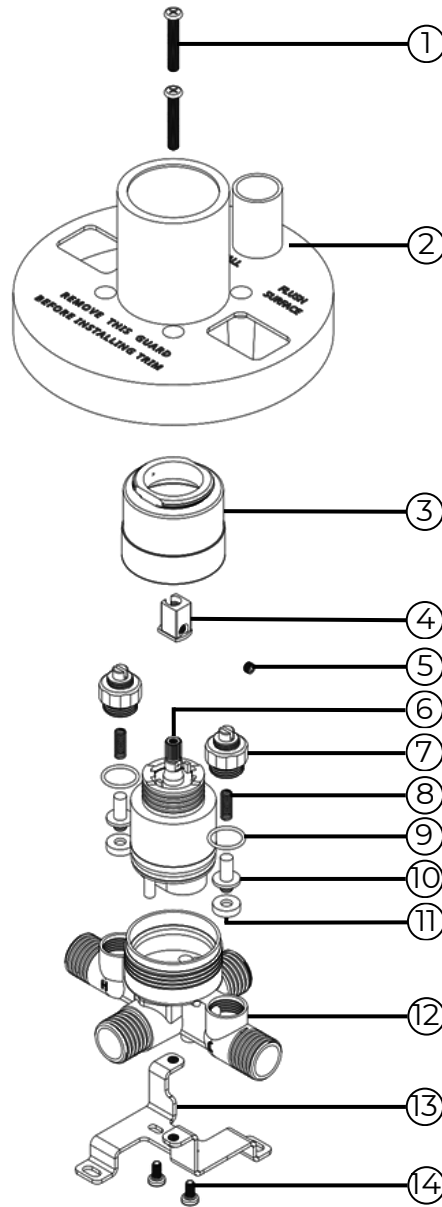
- Do not exceed a **6"** opening diameter. Oversized openings may leave visible gaps beyond the trim plate.
- Verify that the valve is level and centered before cutting.
- For thicker wall materials, confirm that the cutout depth allows the trim plate and handle to install flush without obstruction.

STEP 5



Additional Notes:

- After installation, run the valve briefly to flush out any debris that may have entered the water lines during construction or plumbing work.
- Check all connections for leaks while the water is running and make adjustments as needed.
- Periodically inspect all connections and fittings for signs of wear or loosening. Retighten or replace components as necessary to maintain proper sealing and reliable performance.



① PLASTER GUARD BOLTS (2)

② PLASTER GUARD

③ CARTRIDGE HOUSING

④ SQUARE HANDLE ADAPTOR

⑤ HANDLE ADAPTOR SET SCREW

⑥ CARTRIDGE

⑦ SERVICE STOP NUT (2)

⑧ SERVICE STOP SPRING (2)

⑨ SERVICE STOP RUBBER O-RING SEAL (2)

⑩ CHECK VALVE PLUNGER (2)

⑪ CHECK VALVE SEAL (2)

⑫ VALVE BODY

⑬ VALVE MOUNTING BRACKET

⑭ VALVE BRACKET BOLTS (2)