

F924C10

Harmony 10" Rain Shower Head on Ceiling
Mount Arm

artos®

INSTALLATION GUIDE



F924C10

Harmony 10" Rain Shower Head on Ceiling Mount Arm

artos®

OPERATING SPECIFICATIONS



OPERATING TEMPERATURE

Maximum: 176°

OPERATING PRESSURE

Minimum: 15psi

Maximum: 75psi

Recommended: 25psi-70psi

Above 90psi, it may be necessary to install a pressure reducer

FLOW RATE

1.8 USGPM

INLET/OUTLET CONNECTIONS

1/2" NPT

MATERIAL

Solid Brass

REQUIREMENTS

This unit requires a control

FEATURES

Easy Clean Jets

STANDARDS

To view all standards, please visit product approvals in our learning hub at artos.us.com



2

WESTOVER, INC

4011 S 60TH ST, OMAHA, NE 68117

WWW.ARTOS.US.COM

T: 402-397-3344

All technical specifications, product details, and pricing are subject to change without prior notice. Artos makes every effort to ensure accuracy; however, errors or omissions may occur. It is the responsibility of the installer, designer, or purchaser to verify all critical dimensions, installation requirements, and compliance with applicable codes prior to use.

Artos assumes no liability for damages, losses, or injuries resulting from the use of this documentation or from product installation, operation, or maintenance performed outside of Artos instructions and applicable codes. Product warranties are limited to those expressly stated by Artos. Please refer to official warranty documentation for complete terms and conditions.

All drawings, manuals, and specifications are the property of Artos and may not be reproduced, distributed, or altered without prior written permission.

F924C10

Harmony 10" Rain Shower Head on Ceiling
Mount Arm

INDEX

Product Dimensions - F902-3TR.....pg:4

Harmony Ceiling Mounted Shower Arm Installation - F902-3TR.....pg:5-8

Parts Breakdown - F902-3TR.....pg:9

Product Dimensions - F901-8.....pg:10

Round 10" Rain Shower Head Installation - F901-8.....pg:11

Parts Breakdown - F901-8.....pg:12

Parts Breakdown - F924C10.....pg:13

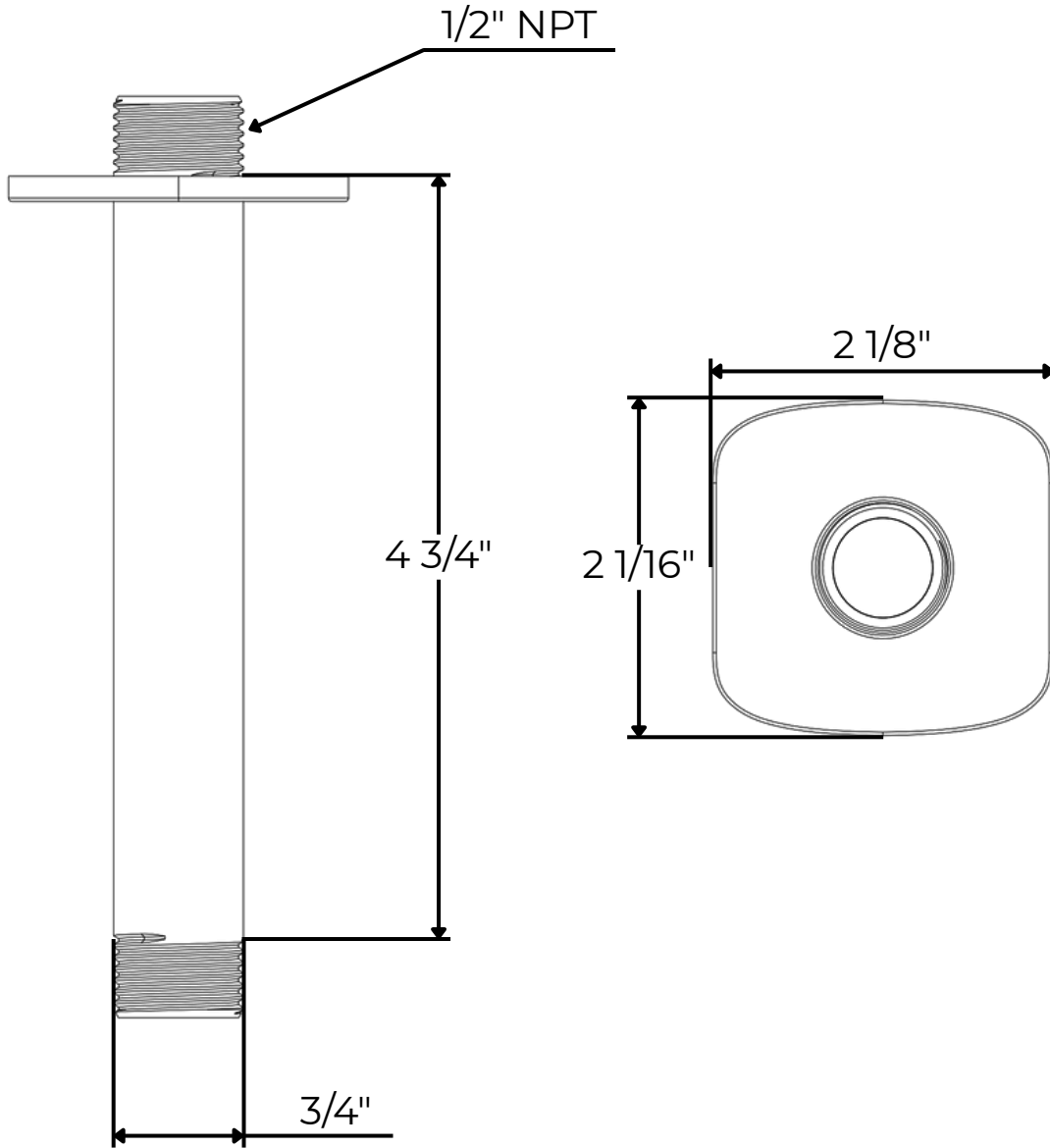
F924C10

artos®

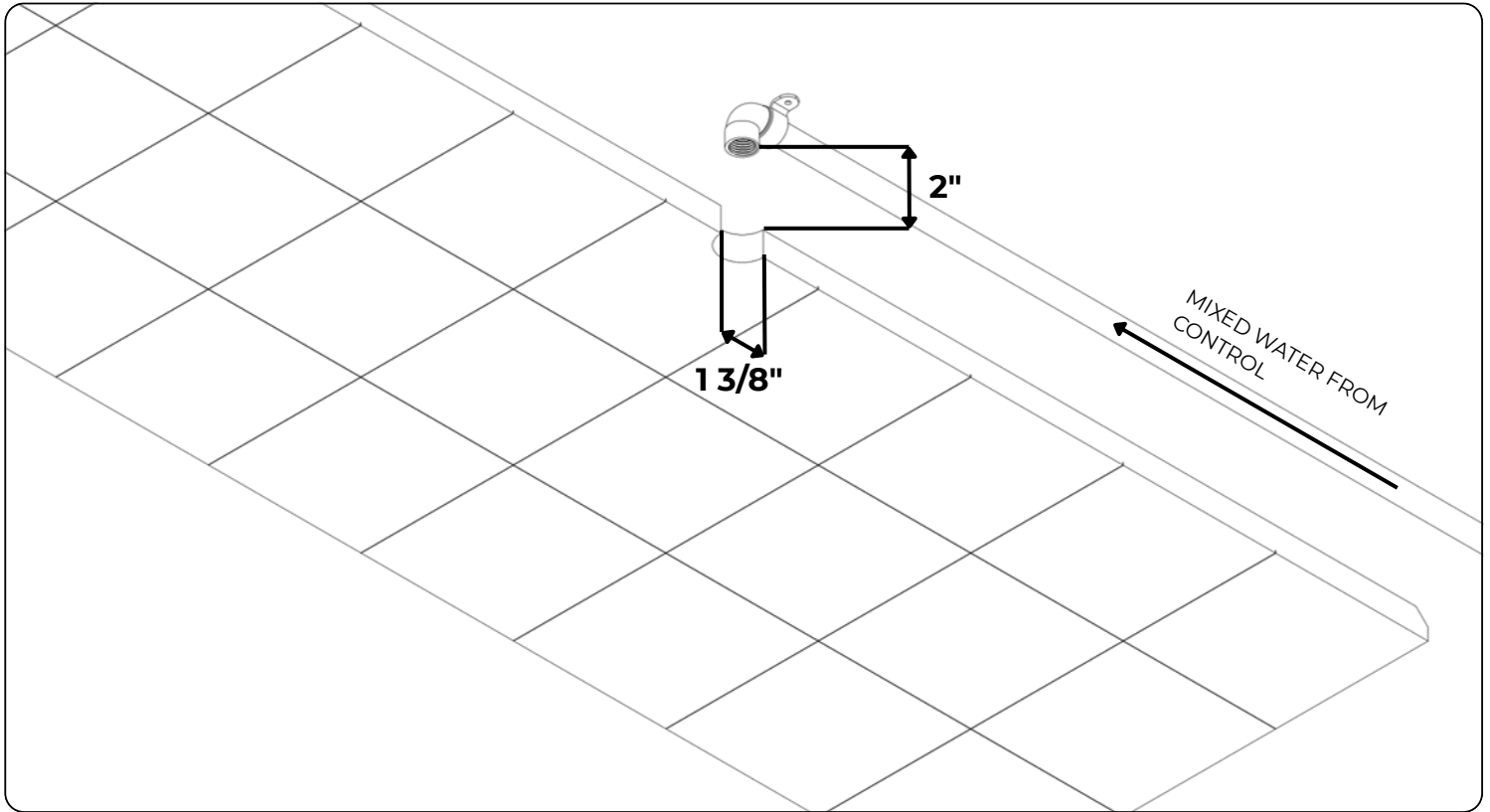
Harmony 10" Rain Shower Head on Ceiling Mount Arm

PRODUCT DIMENSIONS

PRODUCT SKU: F902-3TR



STEP 1



Safety Warnings

- Shut off the main or local water supply before beginning installation.
- Use caution when handling sharp tools and metal parts.
- Do not overtighten connections, as this may damage components or create leaks.
- Ensure the psi of the local water supply remains in the recommended psi range on the operating specifications page

Before beginning, verify that all parts and tools required for installation are available. Review the installation diagram in the parts breakdown at the end of this manual.

Behind the ceiling, route the mixed water supply line from the control valve to the desired height for the shower arm outlet. Install a **1/2"** female threaded elbow fitting, positioning it so the open end faces outward perpendicular from the ceiling faces. Ensure the outlet of the elbow is a maximum of **2"** from the inside surface of the finished ceiling to allow adequate space for threading the copper pipe or brass nipple.

Drill a horizontal opening, **1 3/8"** in diameter or smaller, through the ceiling. Ensure the hole is centered on the supply outlet to accommodate the shower arm connector fitting.

5

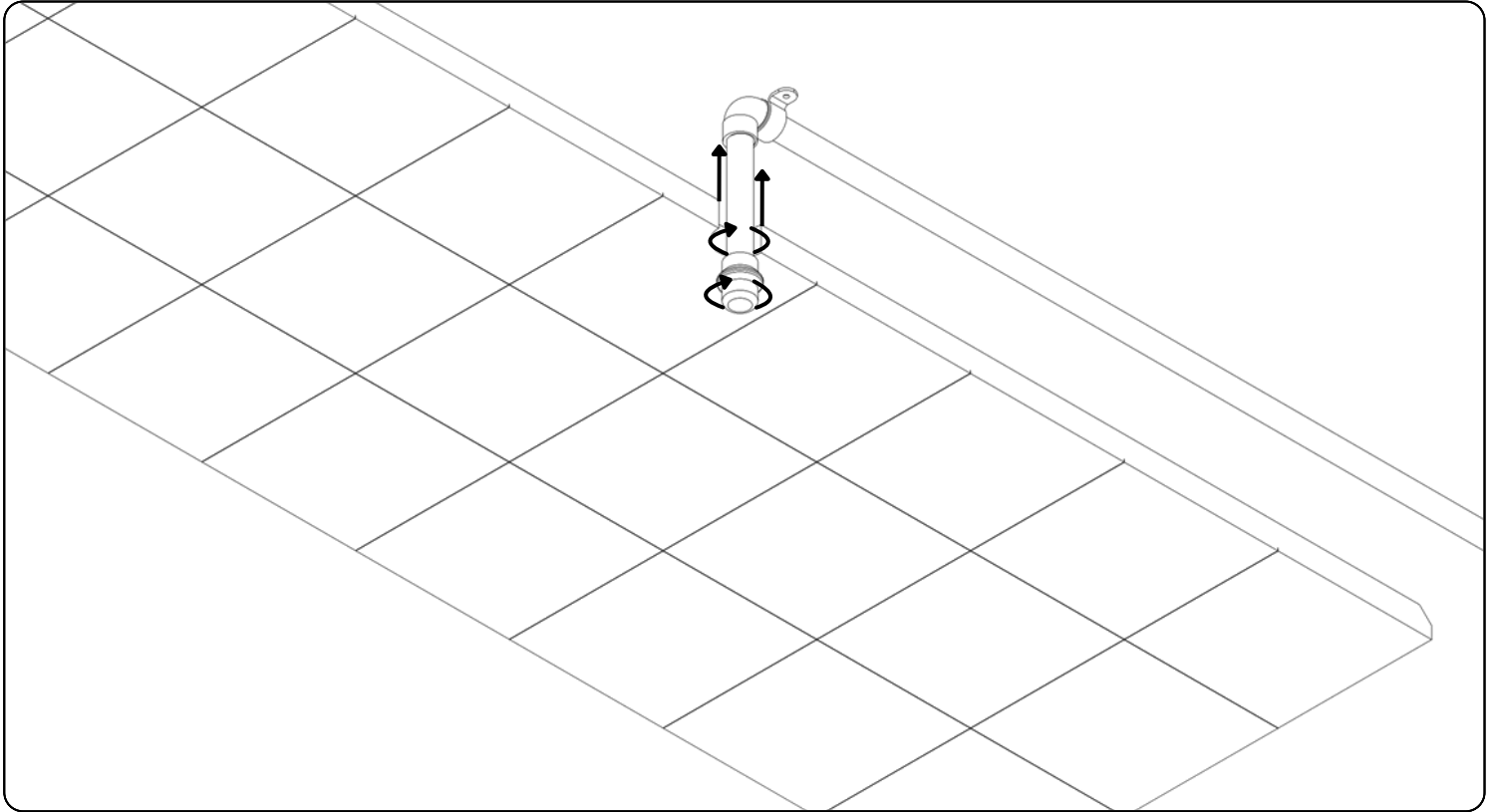
F924C10

Harmony 10" Rain Shower Head on Ceiling
Mount Arm

artos®

INSTALLATION GUIDE

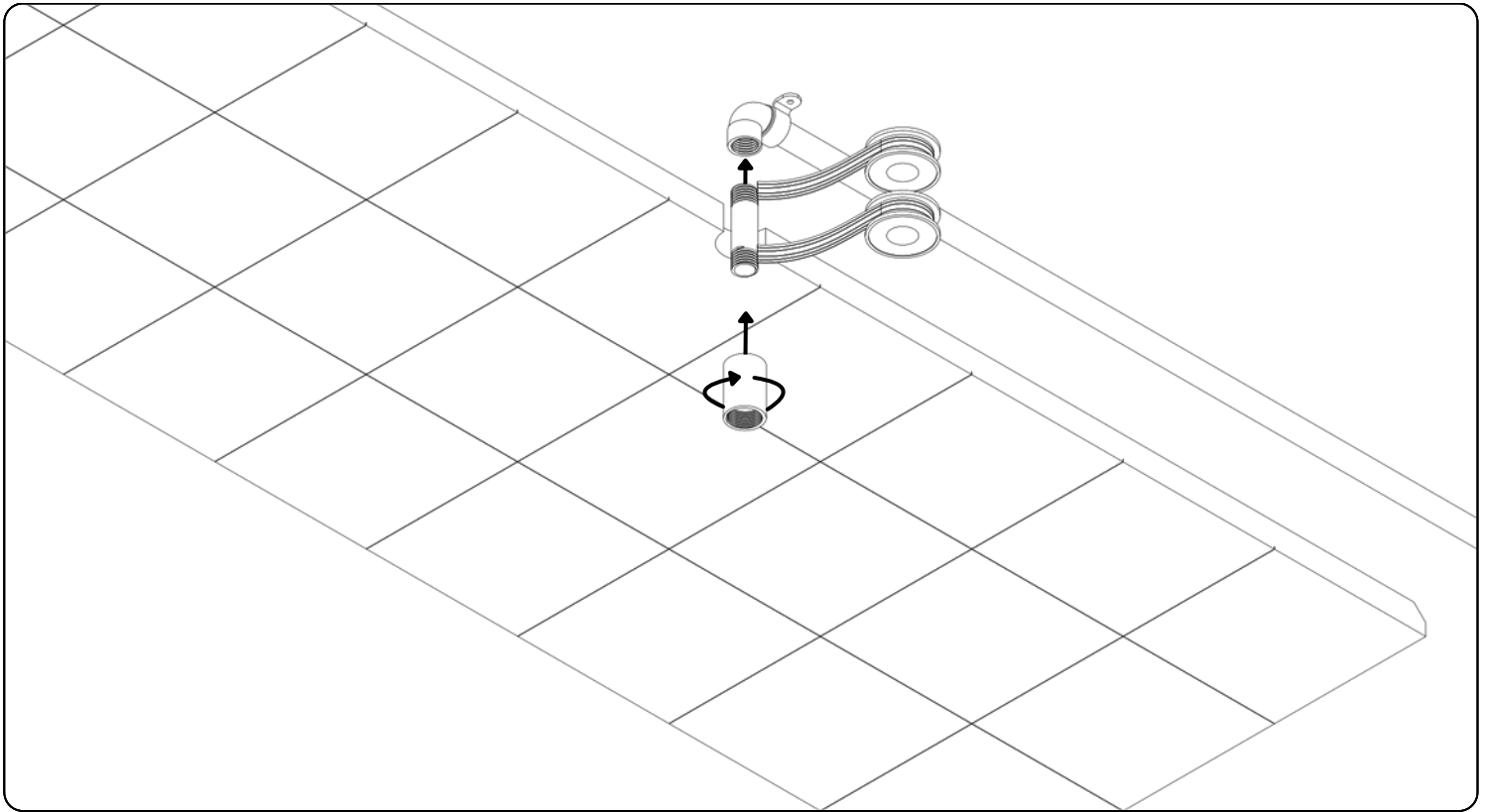
STEP 2



Insert a **temporary** copper stub pipe into the threaded elbow and cap the exposed end. This prevents debris, drywall compound, or tile adhesive from entering the fitting during ceiling finishing.

Once the surface is complete, remove the temporary pipe and cap.

STEP 3

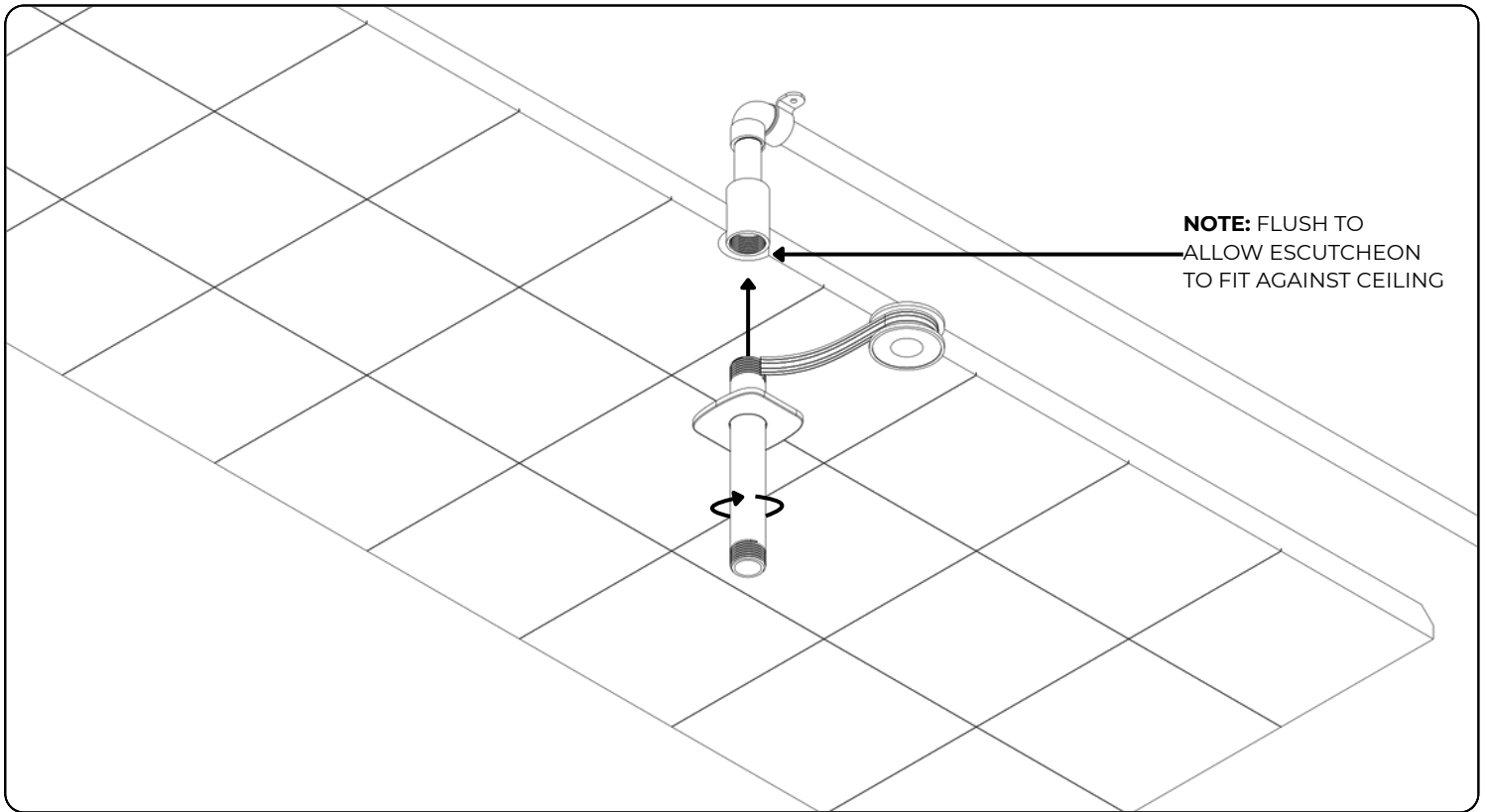


Depending on the mounting of the valve and the positioning of the lines, either thread the arm directly into the elbow fitting or use an extension and a connector.

If using an extension, insert a short section of copper pipe or brass nipple with male **1/2"** NPT threads on both ends into the threaded elbow. Apply plumber's tape (PTFE thread seal tape) to the male threads before installation to ensure a watertight connection. Thread one end of the pipe securely into the elbow fitting behind the ceiling. Attach a **1/2"** female NPT straight coupling connector to the exposed end of the pipe, applying plumber's tape to the threads. Adjust as needed so that the face of the female connector is flush with the finished ceiling surface to ensure the escutcheon seats properly during final installation.

Note: Verify that the connector is level and aligned perpendicular to the ceiling for proper shower arm installation.

STEP 4



Slide the Harmony escutcheon onto the ceiling-mounted shower arm, with the finished side facing outward. Wrap plumber's tape around the male threads of the shower arm, wrapped 2-3 times to ensure a tight fit. With the shower arm through the escutcheon, thread it into the pipe connector by hand. Tighten until snug, ensuring the arm is oriented correctly, and the escutcheon sits flush against the ceiling. If additional tightening is needed, use a rubber-jawed wrench to protect the finish.

Once installed, turn on the local water supply (if in a finished or closed state) and check for leaks at the connection.

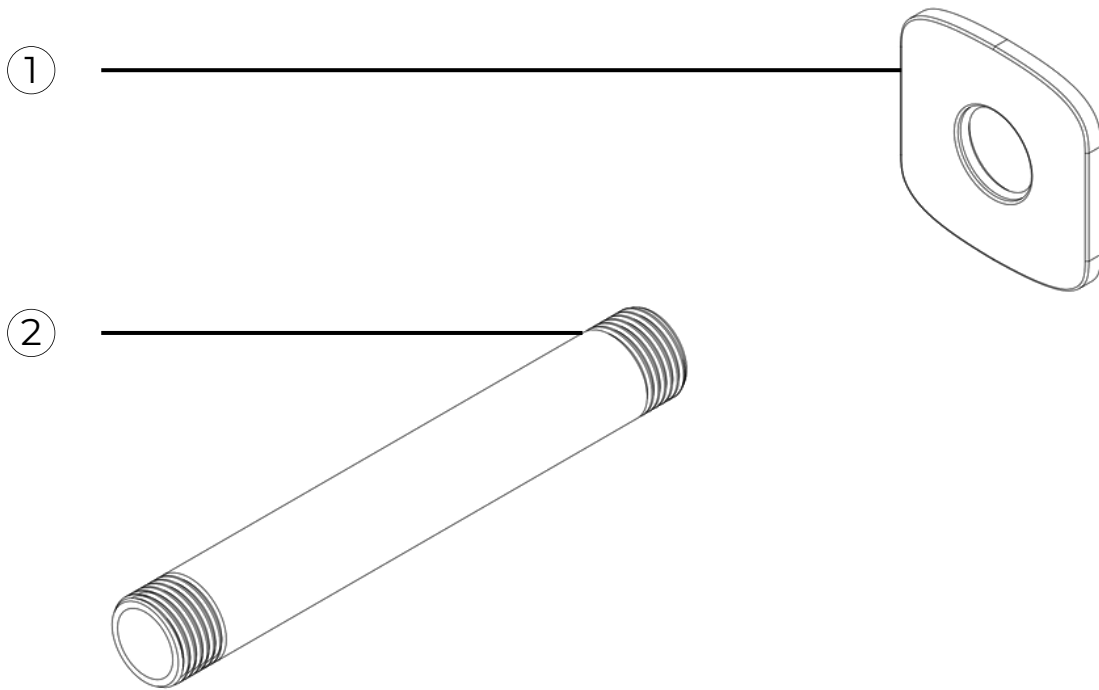
Note: A thin bead of silicone sealant may be applied around the outer edge of the escutcheon or where the connector fitting meets the ceiling to help prevent moisture from entering the ceiling cavity. Allow the sealant to cure according to the manufacturer's recommended drying time before using the shower.

F924C10

Harmony 10" Rain Shower Head on Ceiling Mount
Arm

PARTS BREAKDOWN

PRODUCT SKU: F902-1TR



- ① SHOWER ARM ESCUTCHEON HARMONY
- ② SHOWER ARM

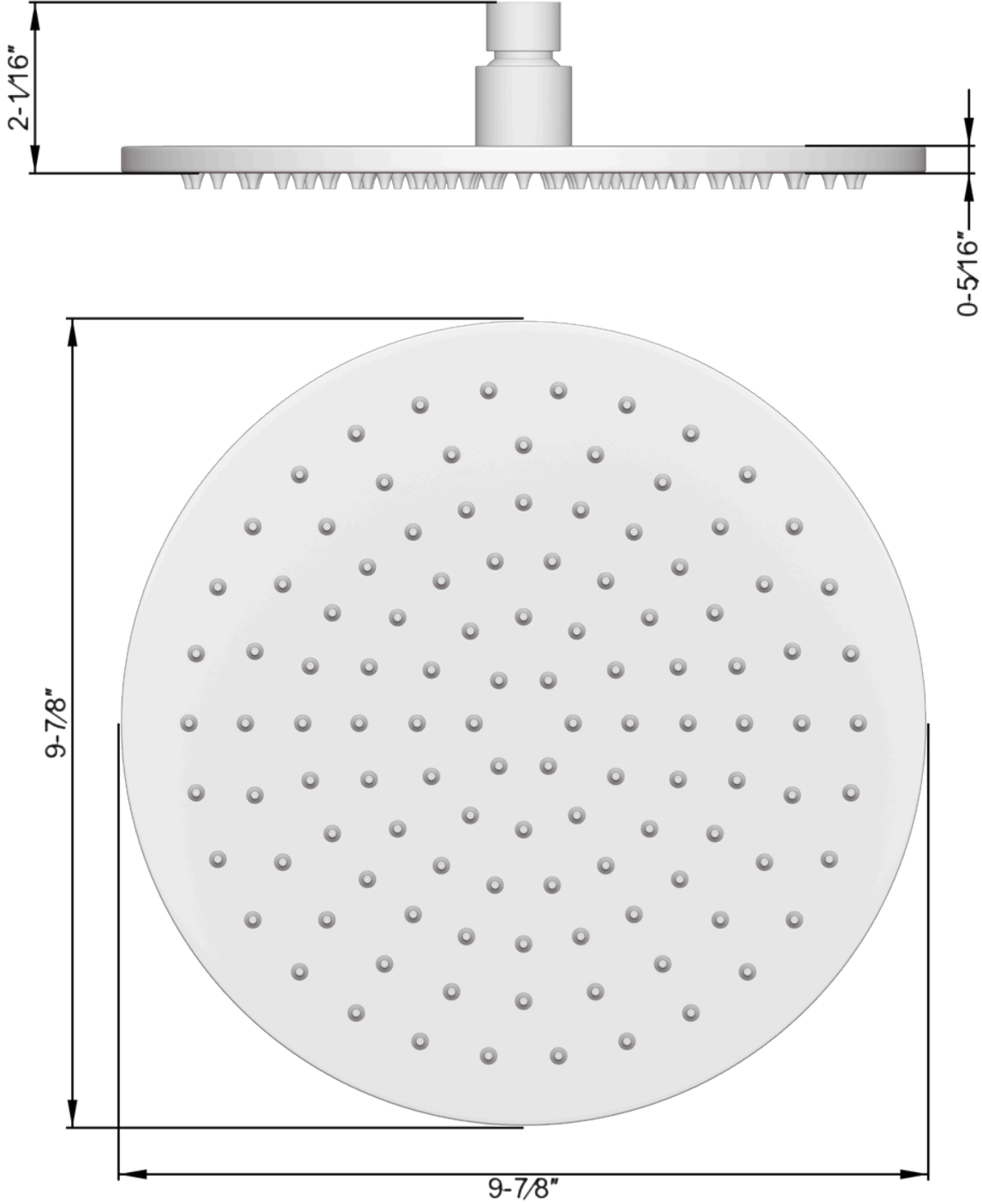
F924C10

artos®

Harmony 10" Rain Shower Head on Ceiling
Mount Arm

PRODUCT DIMENSIONS

PRODUCT SKU: F901-8



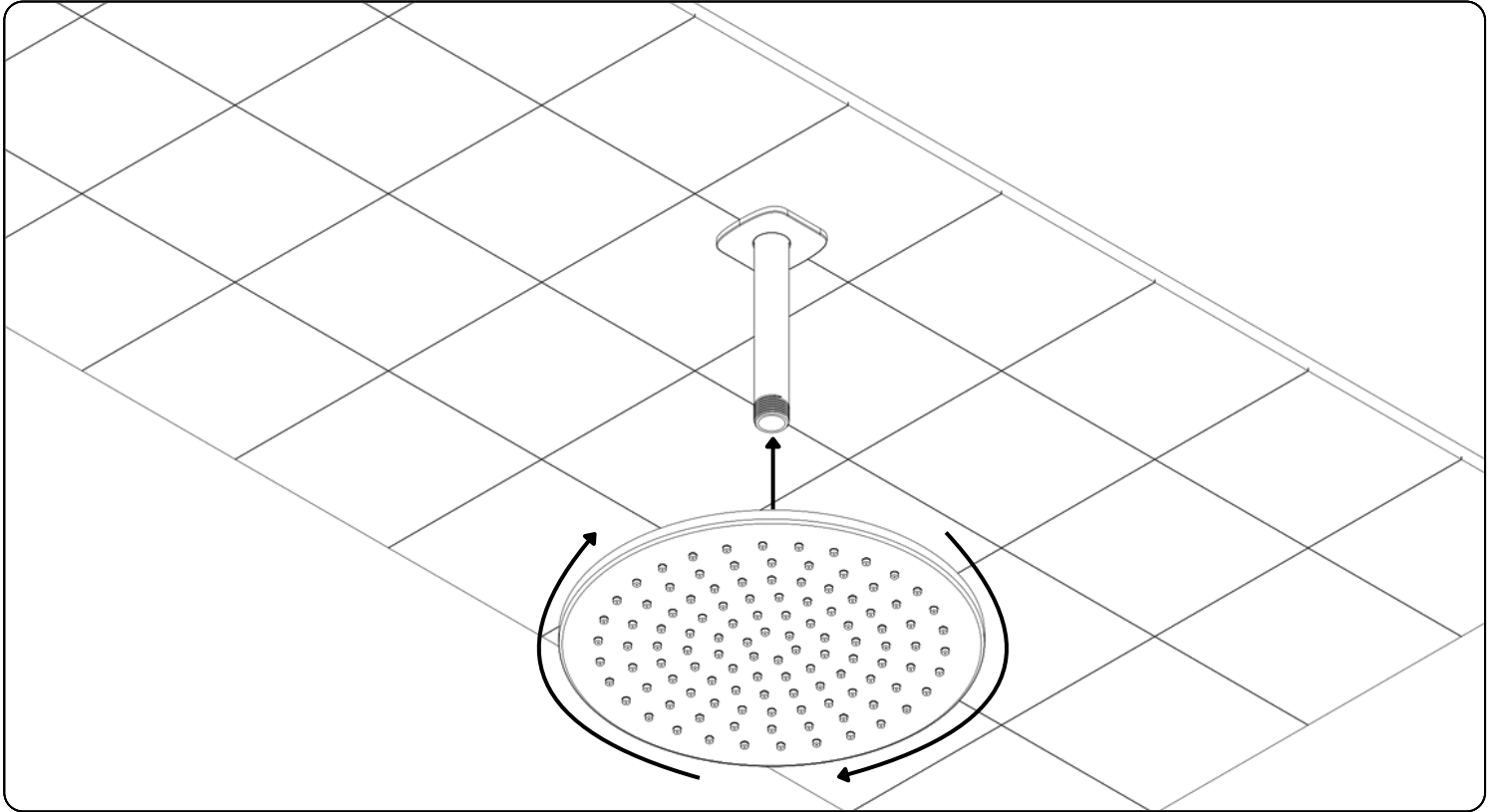
F924C10

Harmony 10" Rain Shower Head on Ceiling
Mount Arm

artos®

INSTALLATION GUIDE

STEP 1



Align the threaded inlet of the shower head with the taped shower arm threads and carefully begin threading the shower head **by hand**. Tighten until snug, ensuring the shower head is straight and properly oriented. If additional tightening is required, use a soft cloth or rubber-jawed wrench to prevent damage to the finish.

Once secured, turn on the water supply and check for leaks at the connection. If any leakage occurs, remove the shower head and check the swivel arm seal to ensure it is in place. If any leak persists, use plumber's tape (PTFE thread seal tape) on a non-viable connection and reinstall.

Compatibility: F901-8 is Compatible with all Artos 1/2 NPT threaded arms

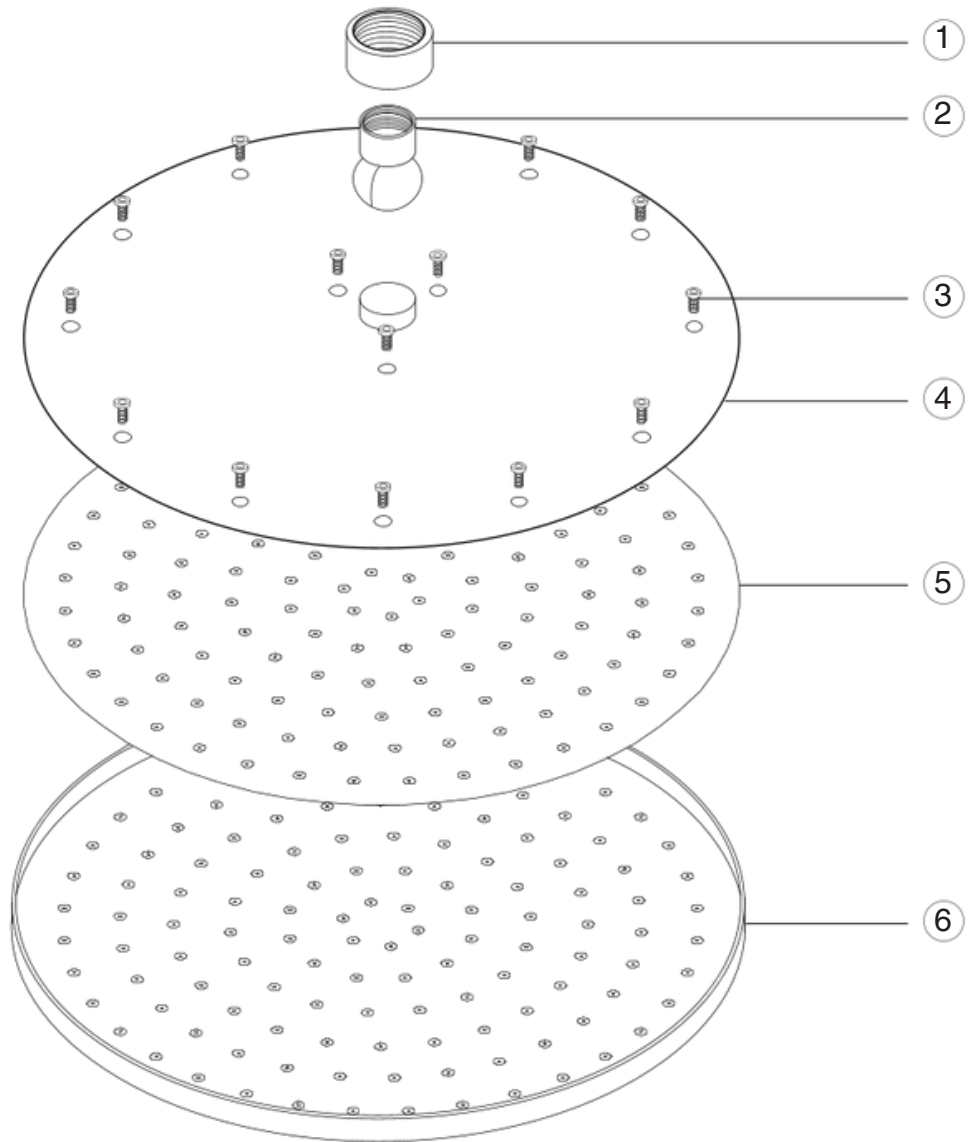
F924C10

Harmony 10" Rain Shower Head on Ceiling
Mount Arm

artos®

PARTS BREAKDOWN

PRODUCT SKU: F901-8



- ① SWIVEL ARM SECURING NUT
- ② SWIVEL ARM
- ③ SHOWER HEAD SCREWS

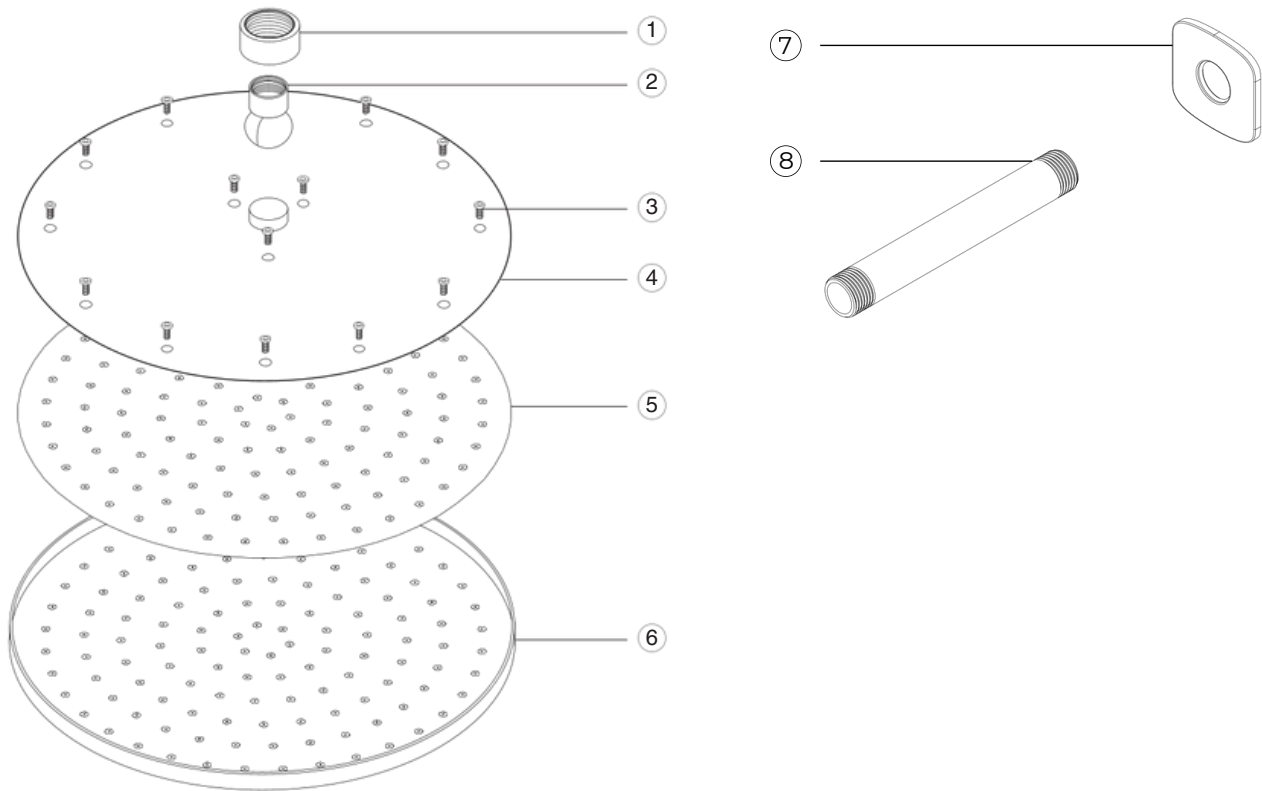
- ④ SHOWER HEAD TOP
- ⑤ RUBBER MATRIX
- ⑥ SHOWER HEAD BOTTOM

F924C10

Harmony 10" Rain Shower Head on Ceiling Mount Arm

artos®

PARTS BREAKDOWN



- ① SWIVEL ARM SECURING NUT
- ② SWIVEL ARM
- ③ SHOWER HEAD SCREWS
- ④ SHOWER HEAD TOP

- ⑤ RUBBER MATRIX
- ⑥ SHOWER HEAD BOTTOM
- ⑦ SHOWER ARM ESCUTCHEON HARMONY
- ⑧ SHOWER ARM