

# artos

F909A-8TK

INSTALLATION GUIDE

3-way diverter trim kit only  
squ

BRUSHED NICKEL(BN)



CHROME(CH)



BLACK(BK)



# artos

F909A-8TK

3-way diverter trim kit only  
squ

## OPERATING SPECIFICATIONS

for associated valve | F909A-V0



### OPERATING PRESSURE

Minimum: 20 psi

Maximum: 125 psi

Recommended: 30-95 psi

### FLOW CAPACITY

6.9USGPM@60 psi

### INLET/OUTLET

(3) 1/2" Female NPT

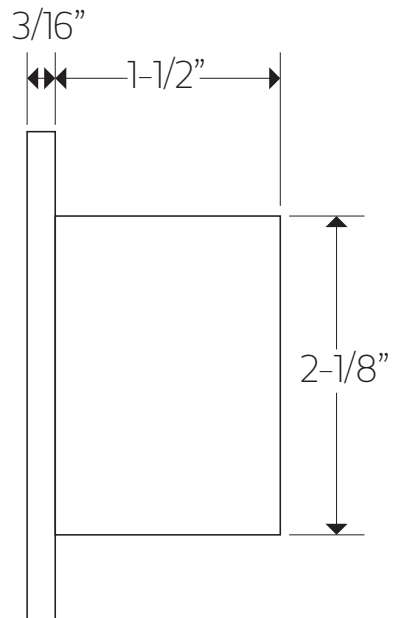
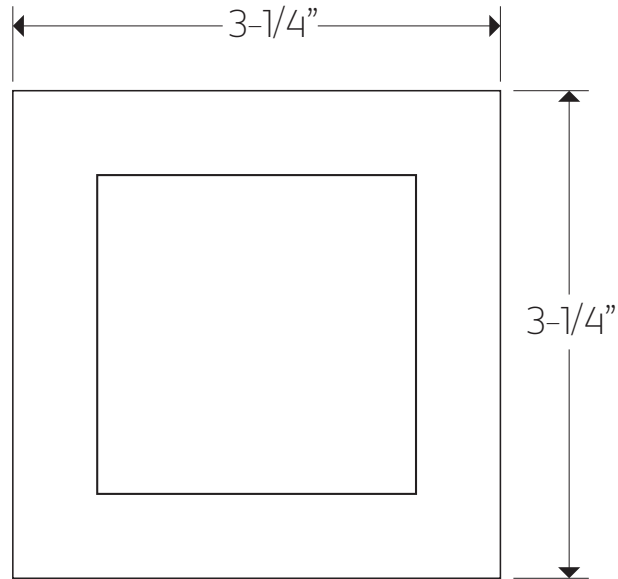
(1) 1/2" Female NPS

# artos

F909A-8TK

## PRODUCT DIMENSIONS

3-way diverter trim kit only  
squ

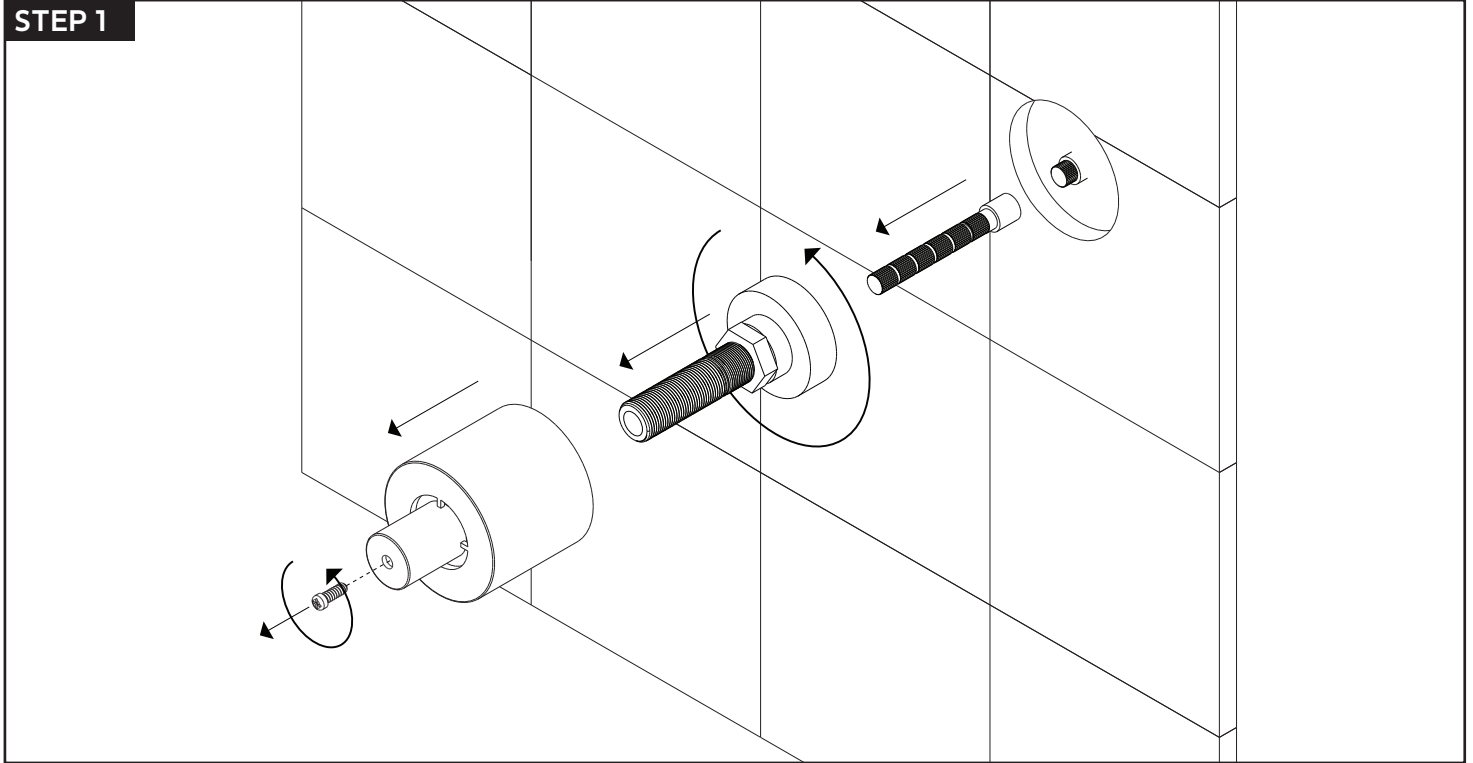


# artos

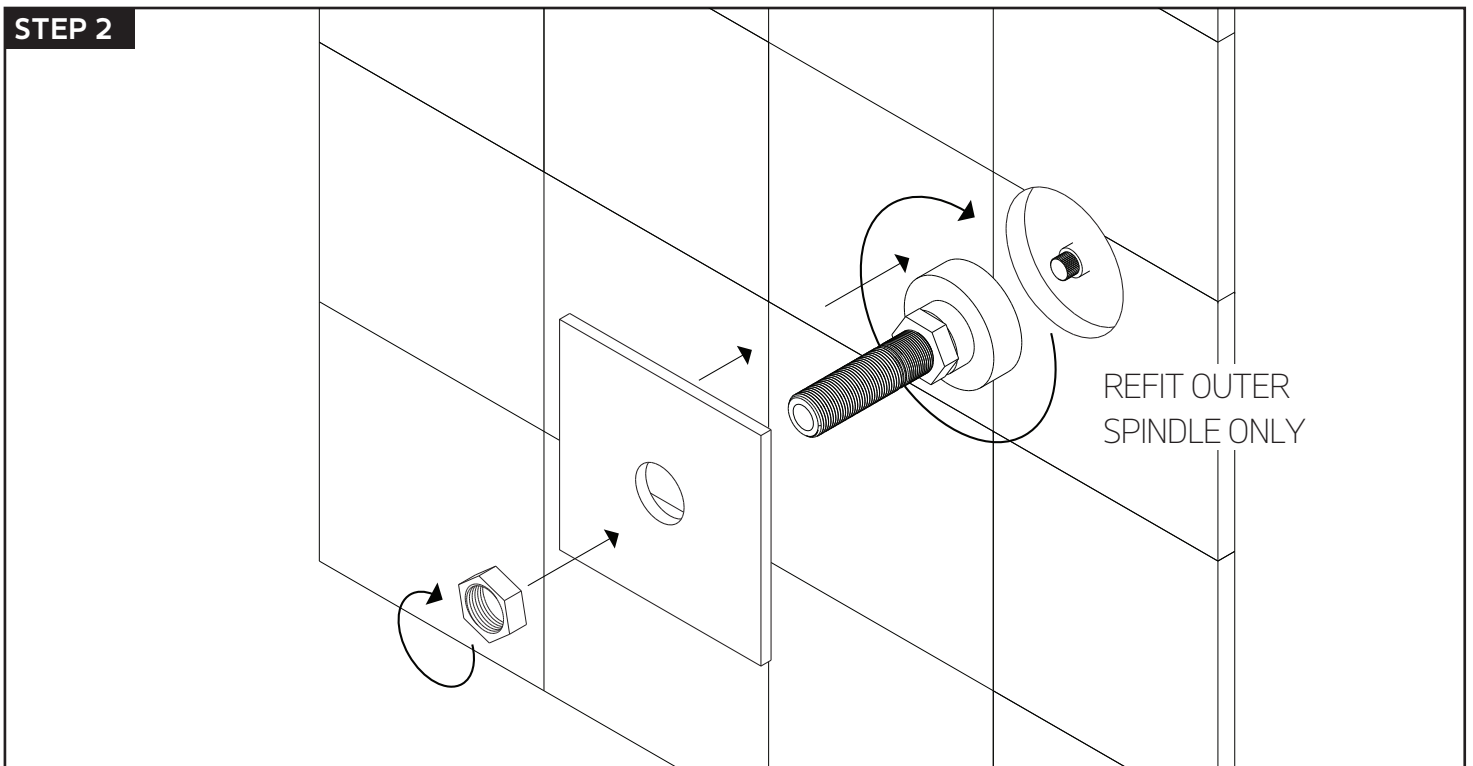
F909A-8TK

3-way diverter trim kit only  
squ

## STEP 1

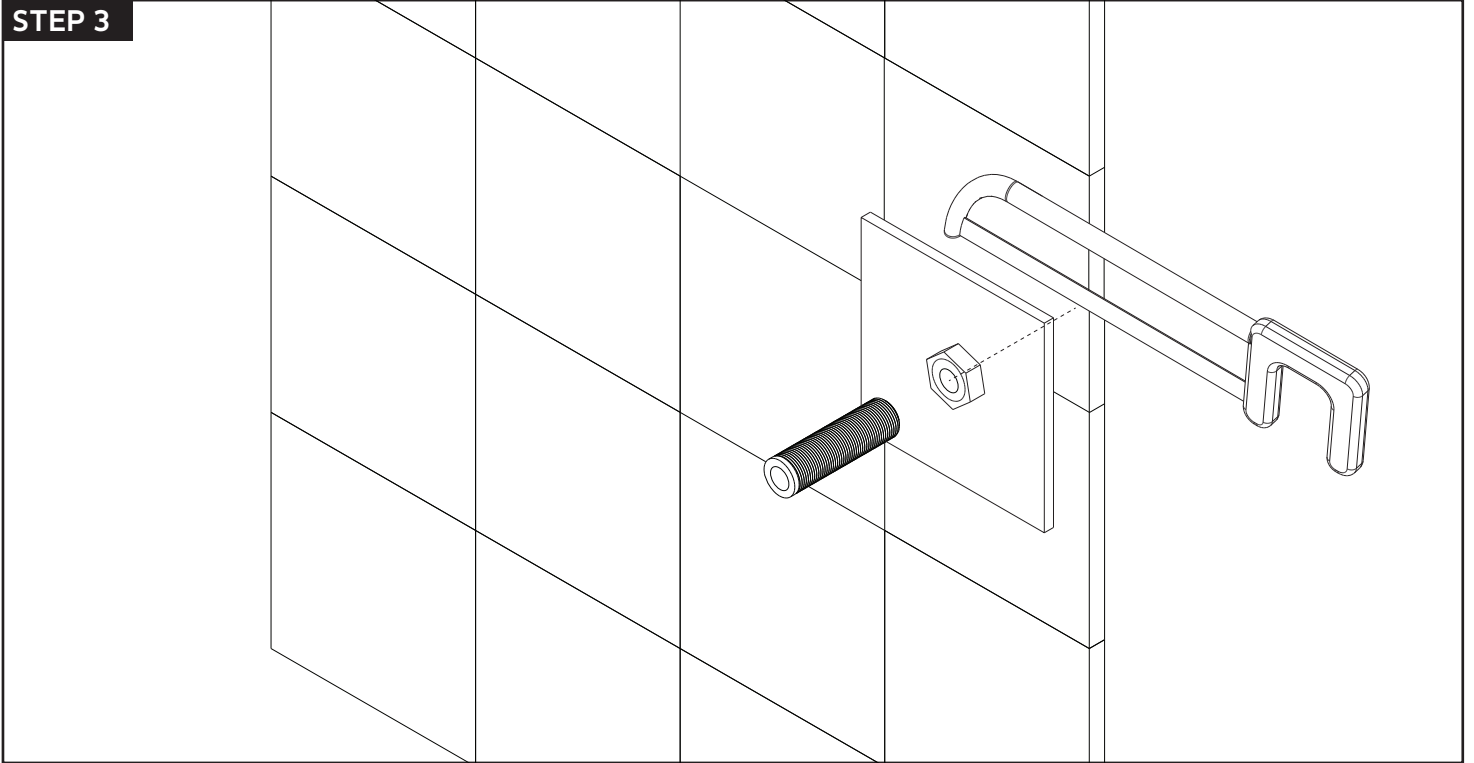


## STEP 2

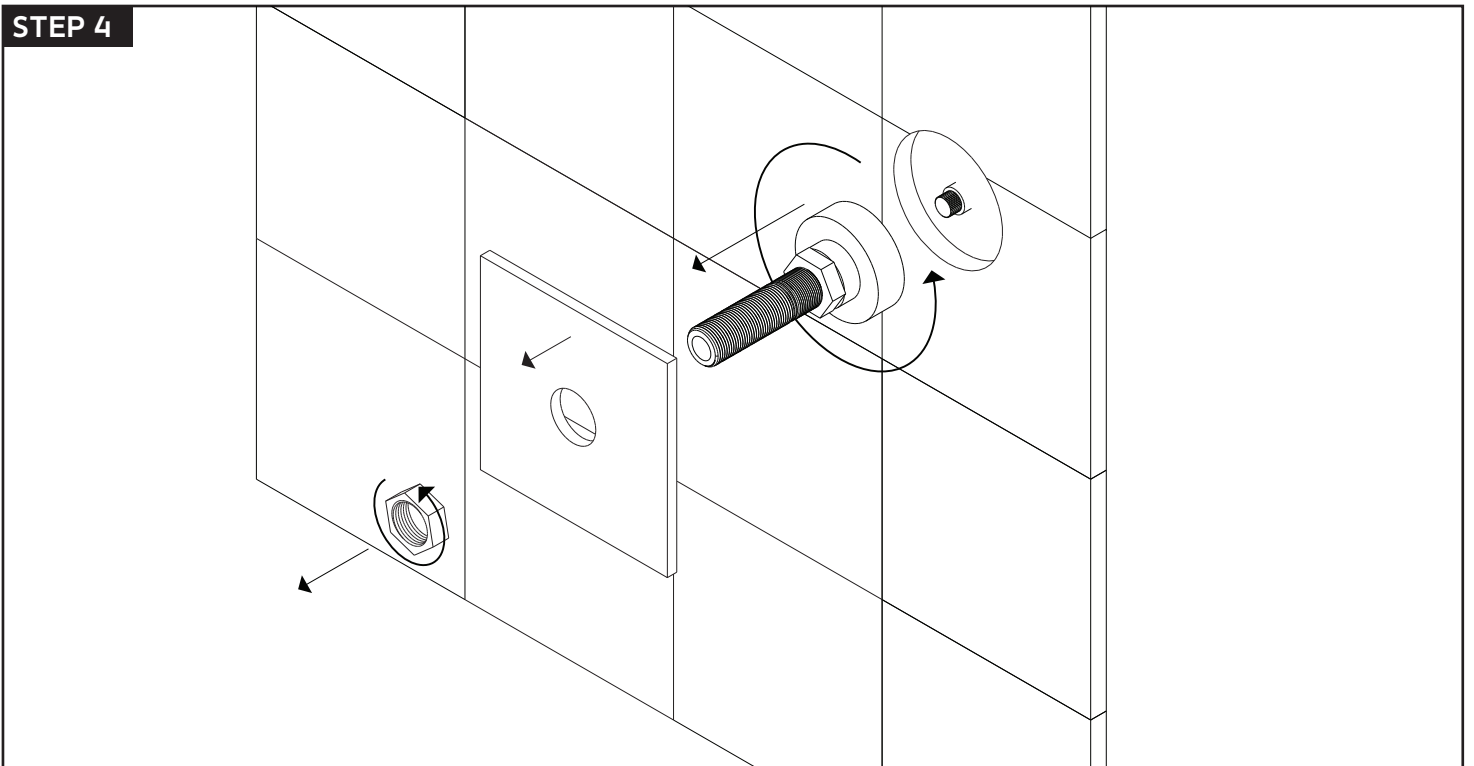


# INSTALLATION STEPS

## STEP 3



## STEP 4

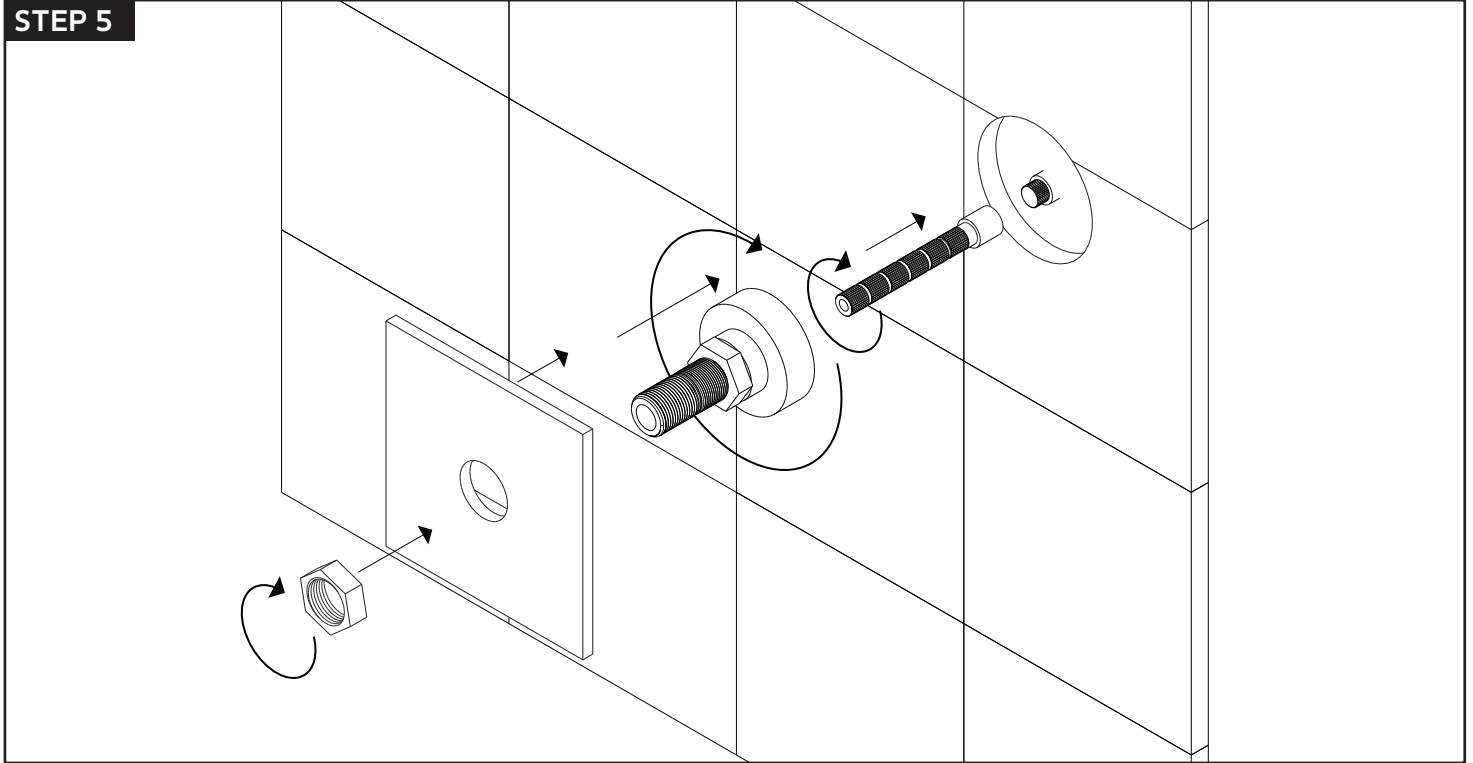


# artos

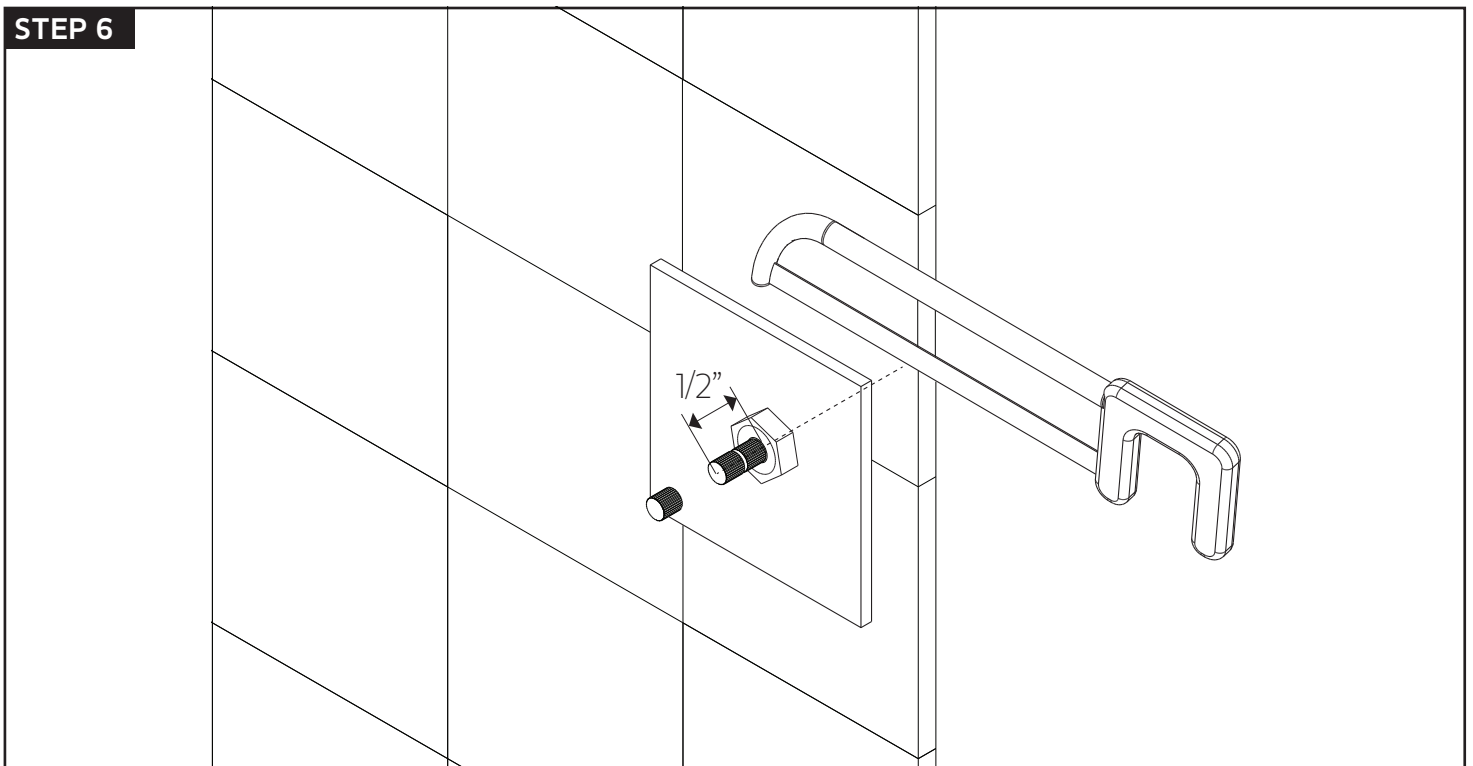
F909A-8TK

3-way diverter trim kit only  
squ

## STEP 5

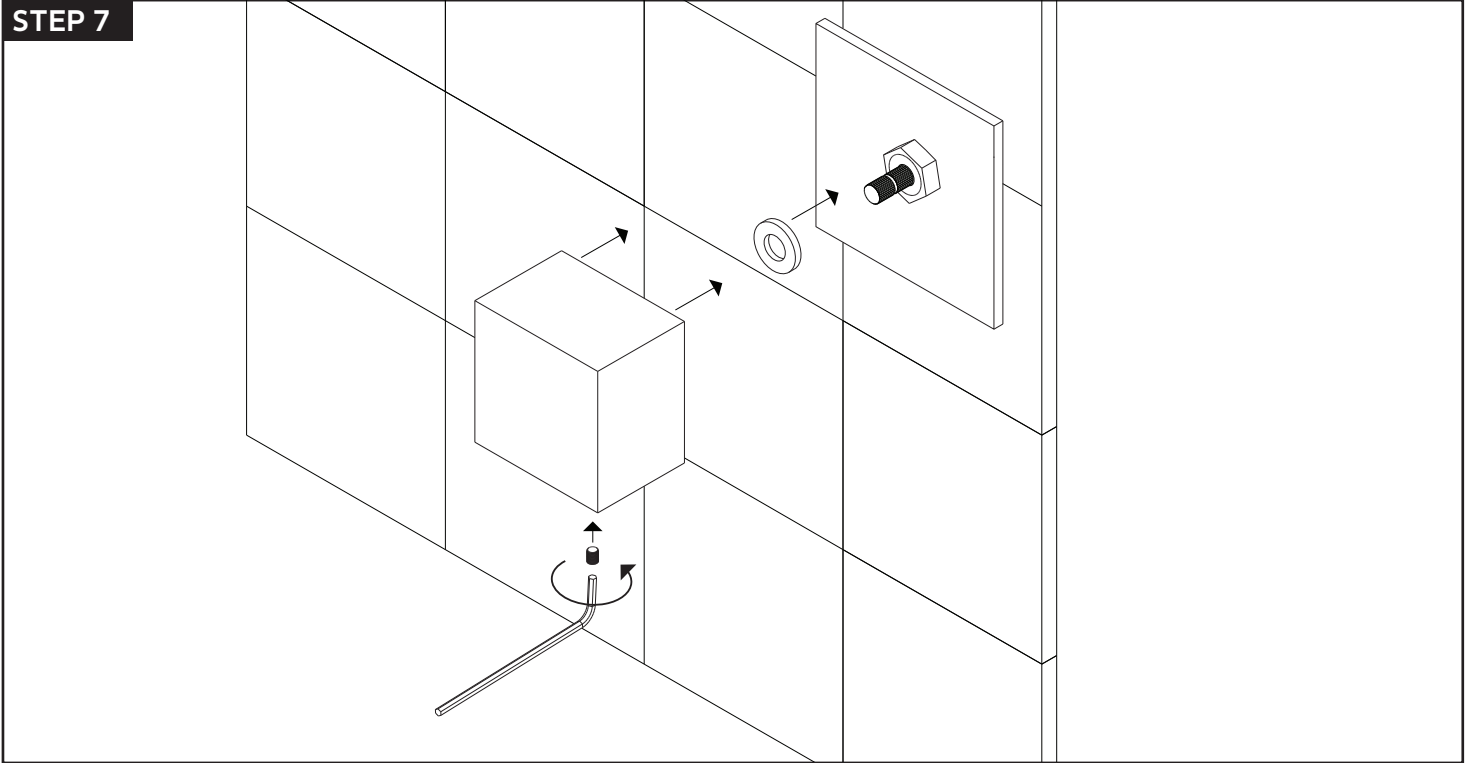


## STEP 6



# INSTALLATION STEPS

## STEP 7

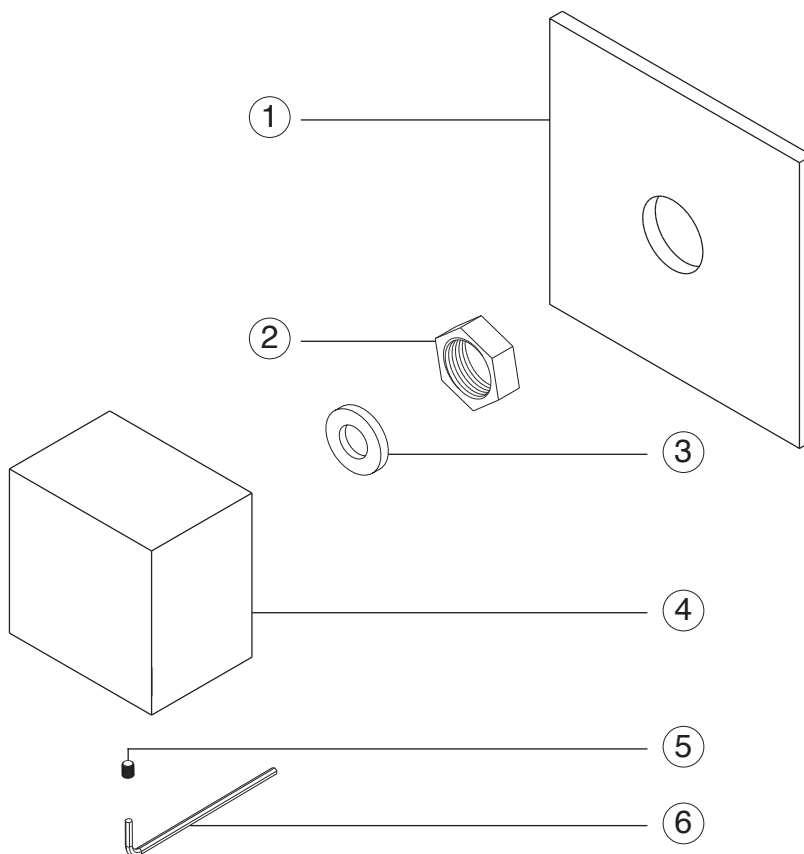
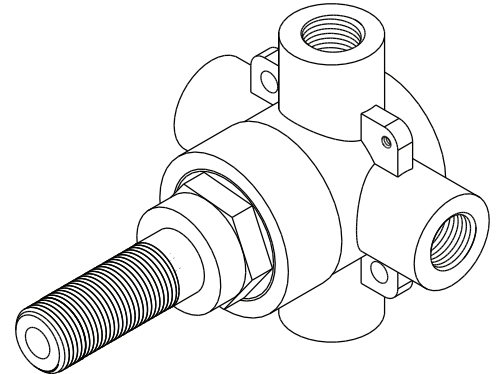


# artos

F909A-8TK

## PARTS BREAKDOWN

3-way diverter trim kit only  
squ



- ① ESCUTCHEON
- ② LOCKING NUT
- ③ NYLON WASHER
- ④ HANDLE
- ⑤ SET SCREW
- ⑥ ALLEN WRENCH