

artos

F909A-7TK

INSTALLATION GUIDE

3-way diverter trim kit only
rnd+letterbox

BRUSHED NICKEL(BN)



CHROME(CH)



BLACK(BK)



artos

F909A-7TK

3-way diverter trim kit only
rnd+letterbox

OPERATING SPECIFICATIONS

for associated valve | F909A-V0



OPERATING PRESSURE

Minimum: 20 psi

Maximum: 125 psi

Recommended: 30-95 psi

FLOW CAPACITY

6.9USGPM@60 psi

INLET/OUTLET

(3) 1/2" Female NPT

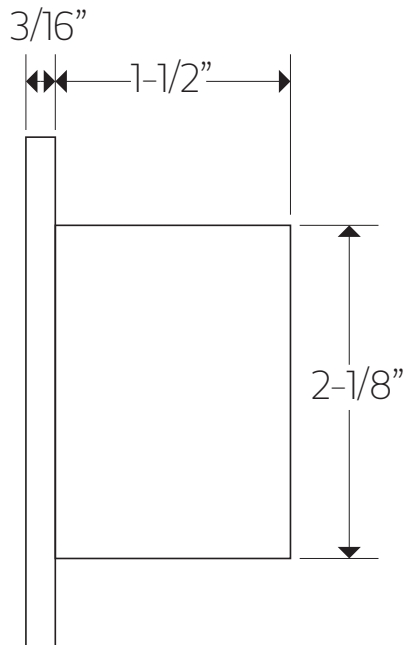
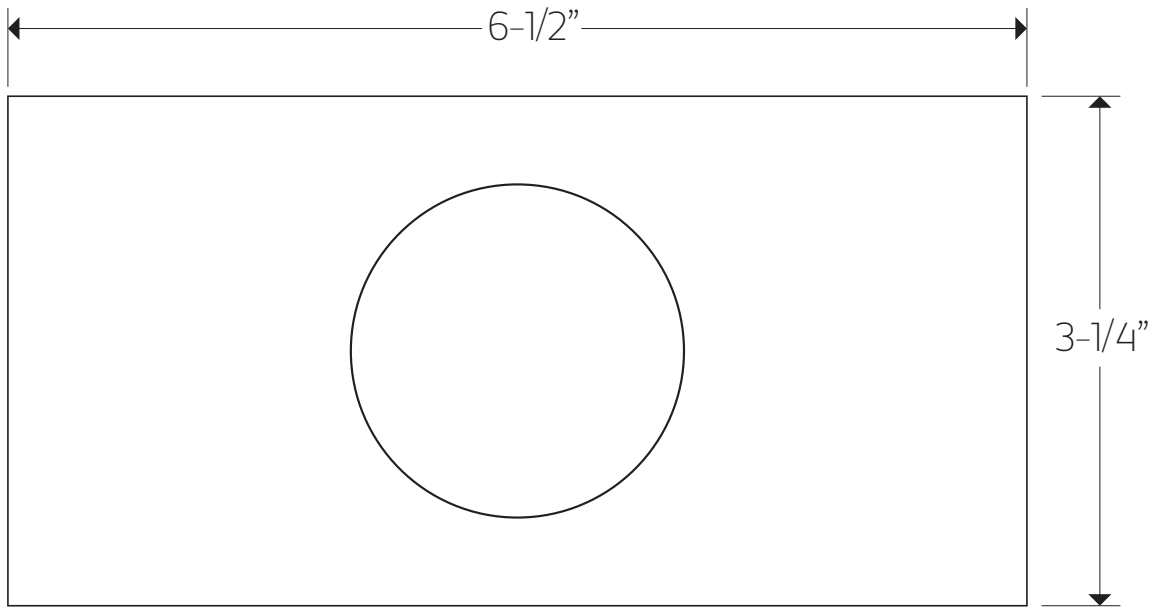
(1) 1/2" Female NPS

artos

F909A-7TK

PRODUCT DIMENSIONS

3-way diverter trim kit only
rnd+letterbox

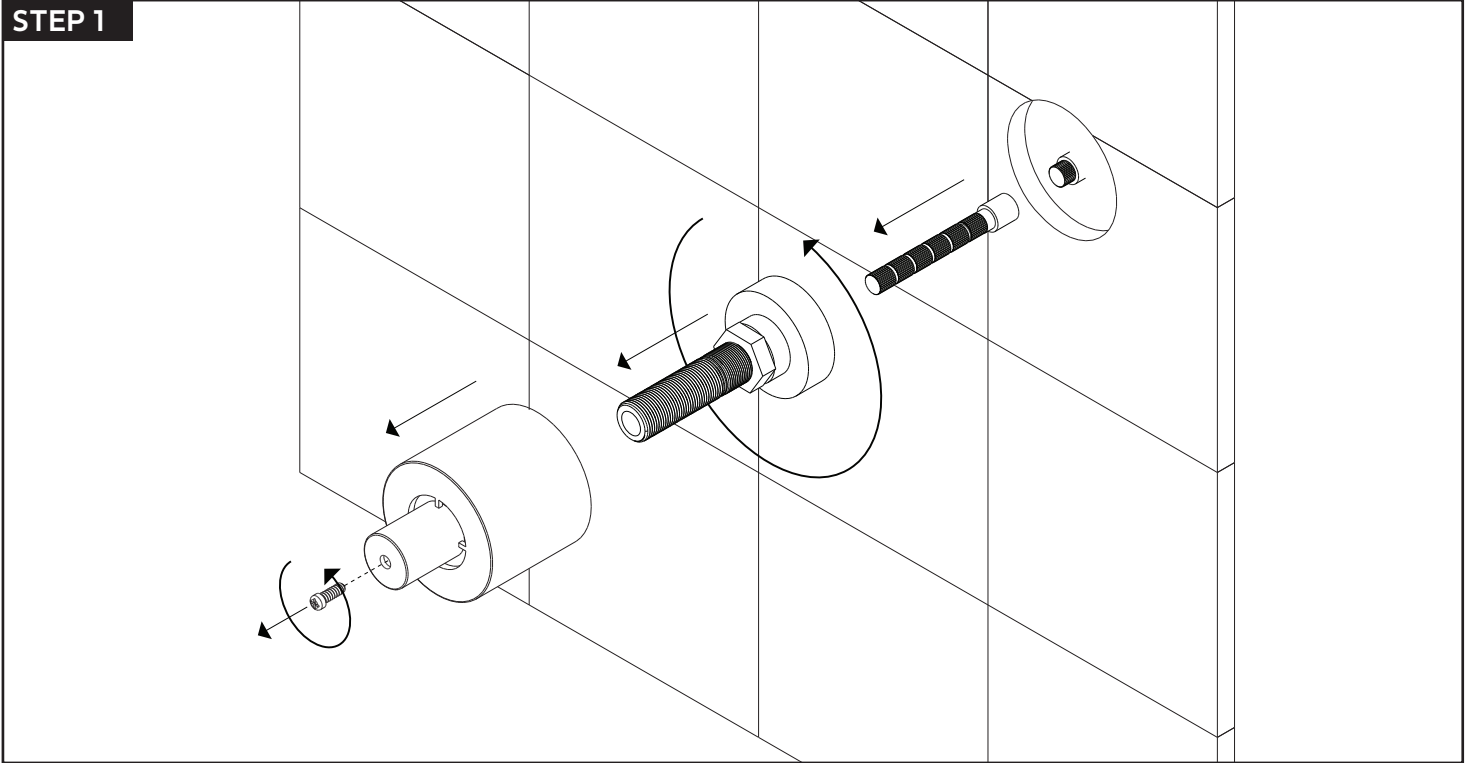


artos

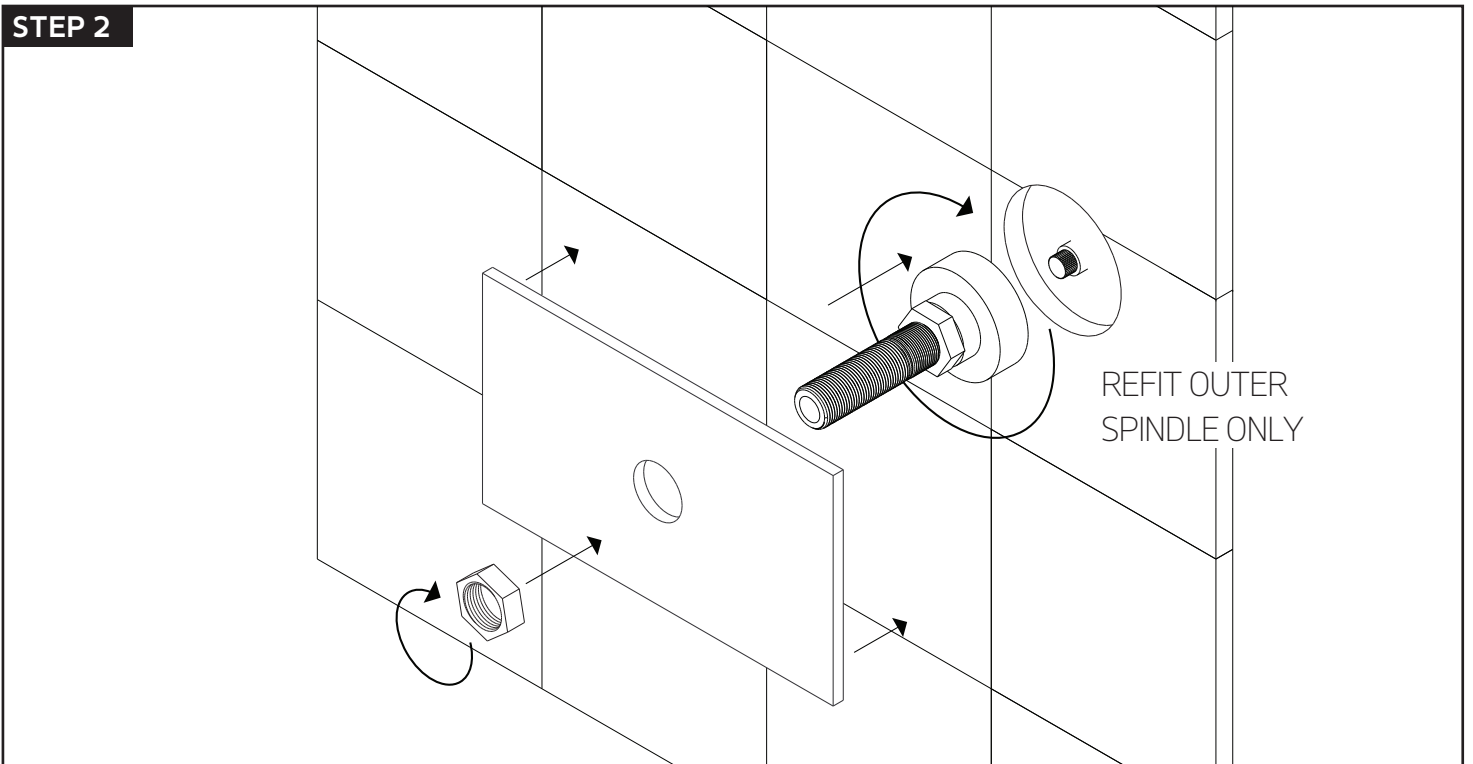
F909A-7TK

3-way diverter trim kit only
rnd+letterbox

STEP 1

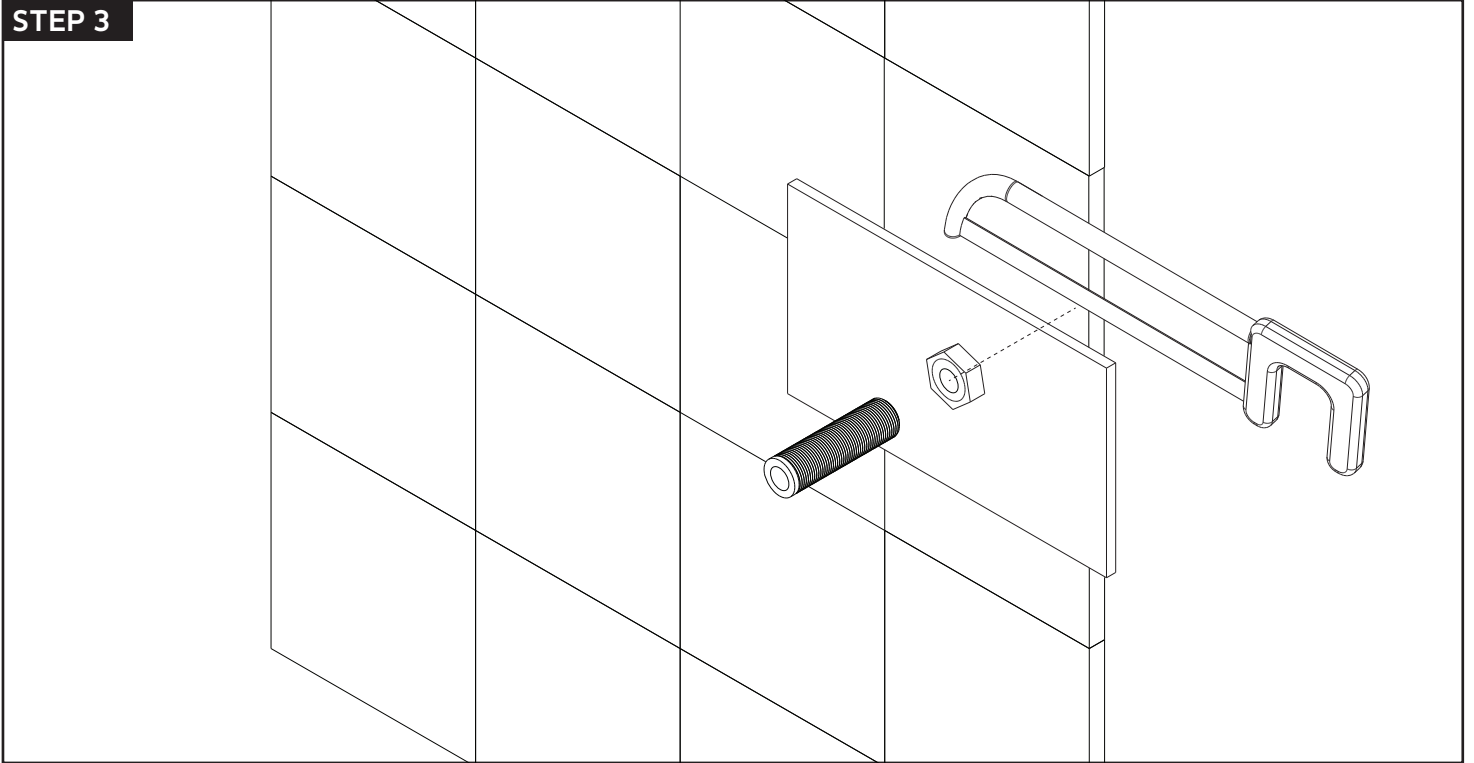


STEP 2

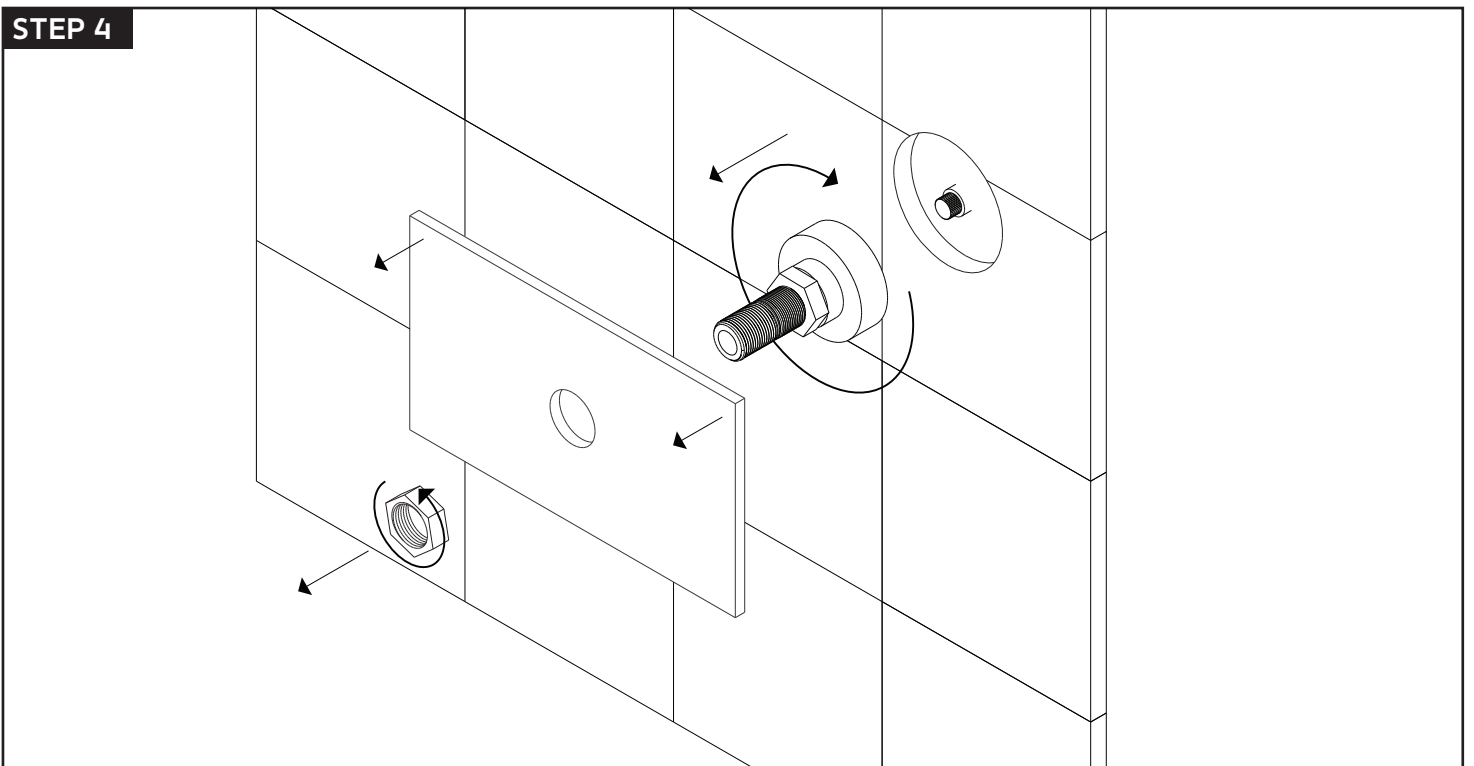


INSTALLATION STEPS

STEP 3



STEP 4

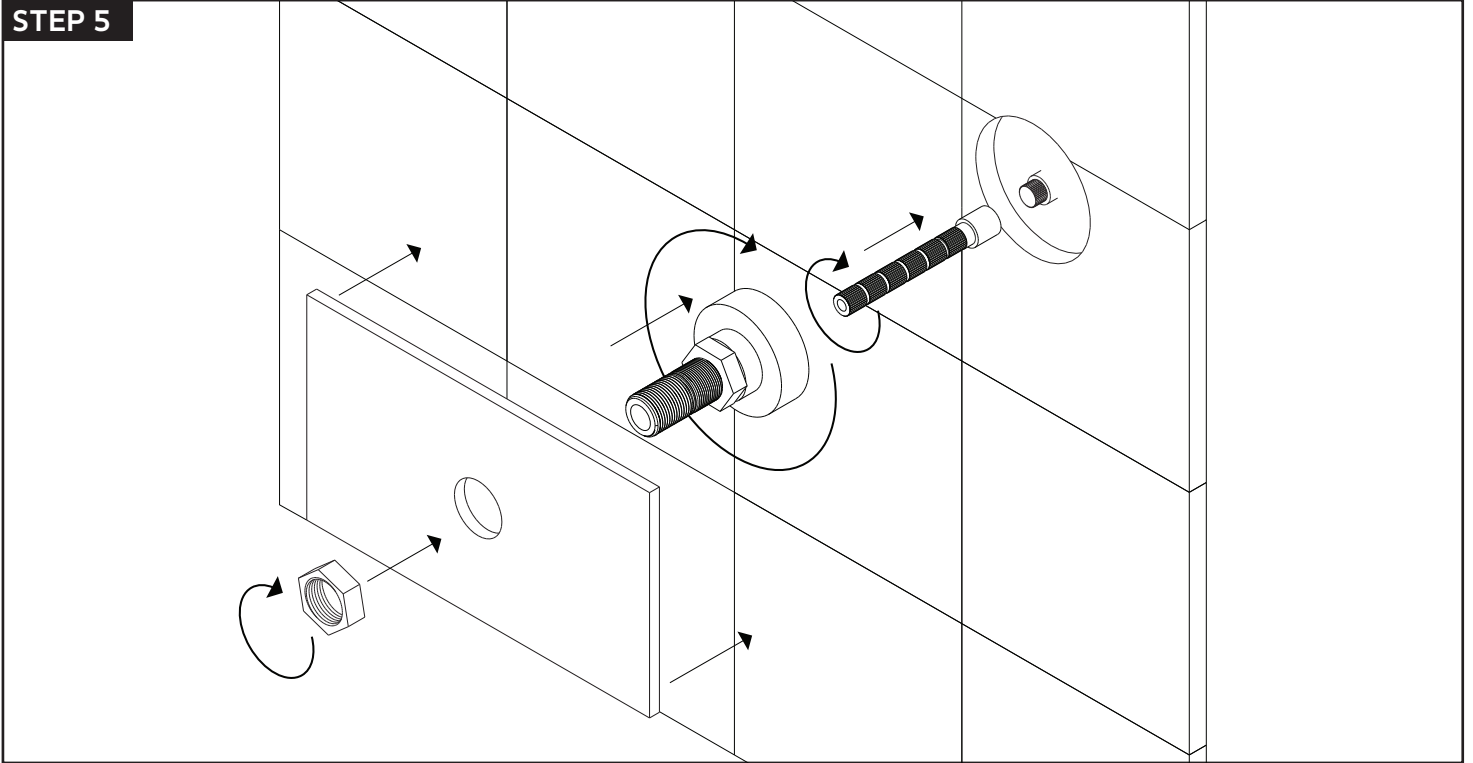


artos

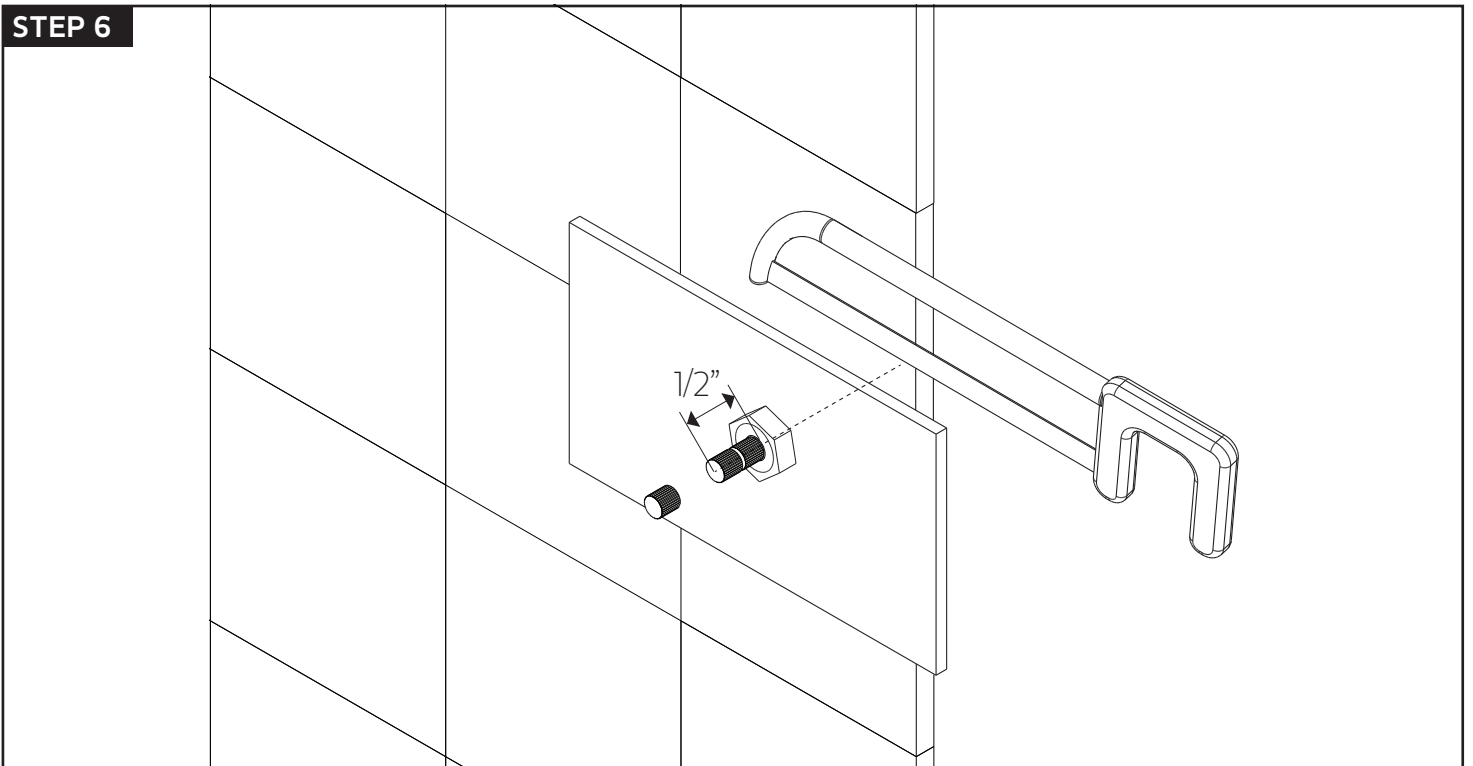
F909A-7TK

3-way diverter trim kit only
rnd+letterbox

STEP 5

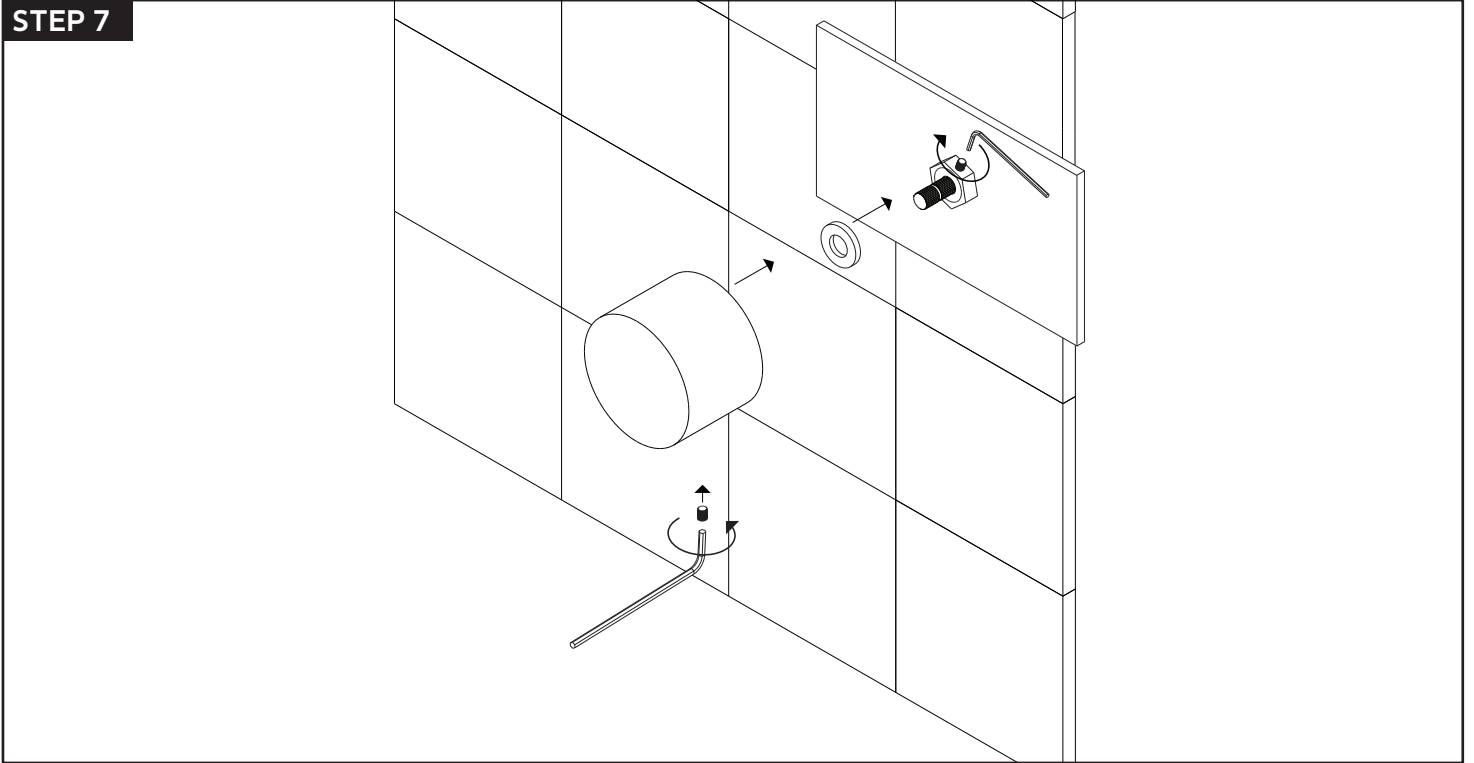


STEP 6



INSTALLATION STEPS

STEP 7

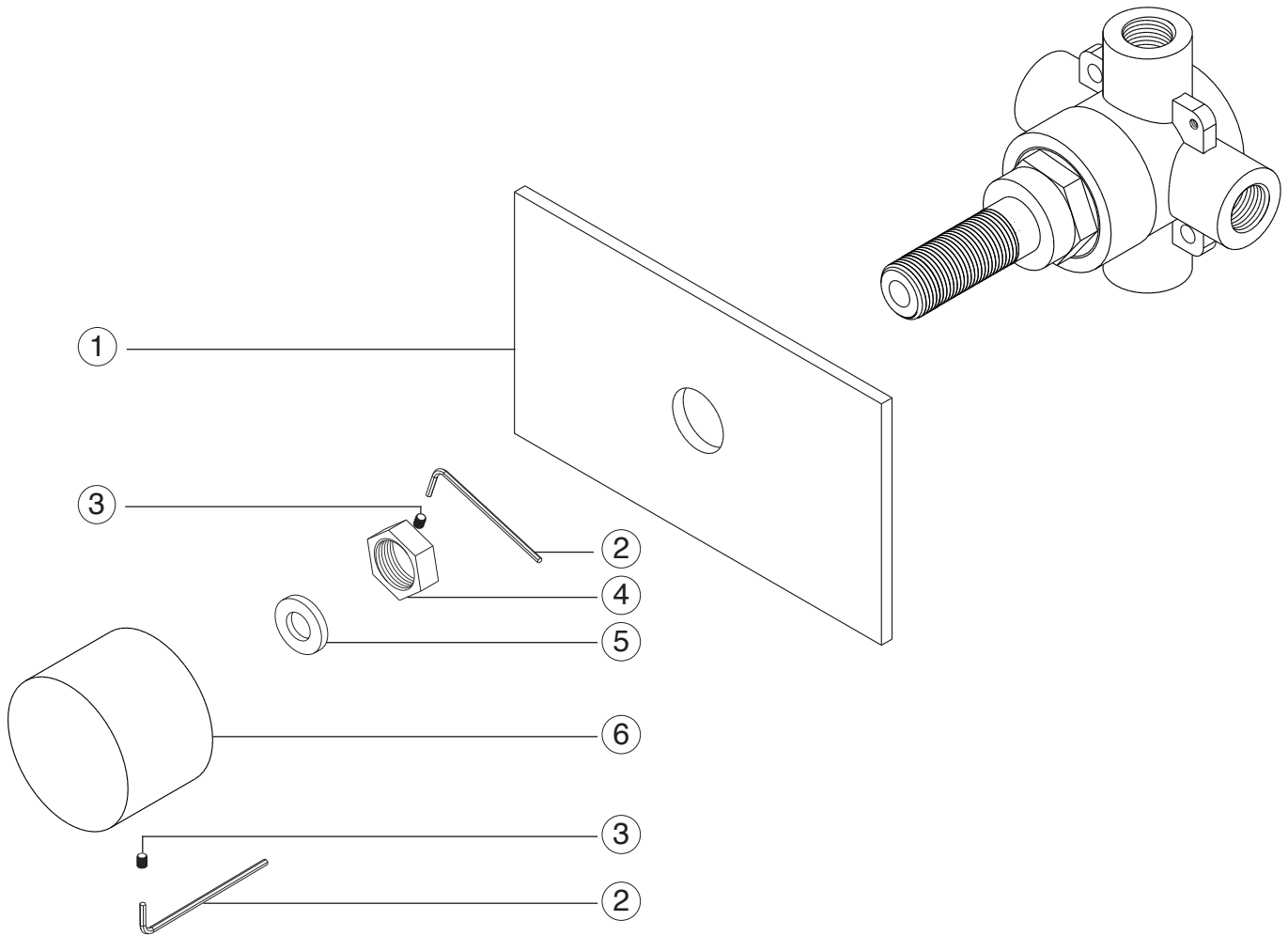


artos

F909A-7TK

PARTS BREAKDOWN

3-way diverter trim kit only
rnd+letterbox



- ① ESCUTCHEON
- ② ALLEN WRENCH
- ③ SET SCREW
- ④ LOCKING NUT
- ⑤ NYLON WASHER
- ⑥ HANDLE