

# artos<sup>®</sup>

## F908-5

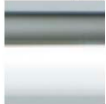
## INSTALLATION GUIDE

opera extended wall mount  
tub filler

BRUSHED NICKEL(BN)



CHROME(CH)



BLACK(BK)



# artos<sup>®</sup>

F908-5

## OPERATING SPECIFICATIONS

opera extended wall mount  
tub filler



### OPERATING PRESSURE

Minimum: 15 psi

Maximum: 75 psi

Above 90psi it may be necessary to install a pressure reducer

### OPERATING TEMPERATURE

Maximum: 176°

### FLOW RATE

4.5 USGPM

### INLET/OUTLET

1/2" Female

### REQUIREMENTS

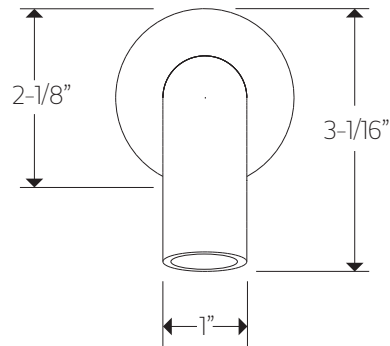
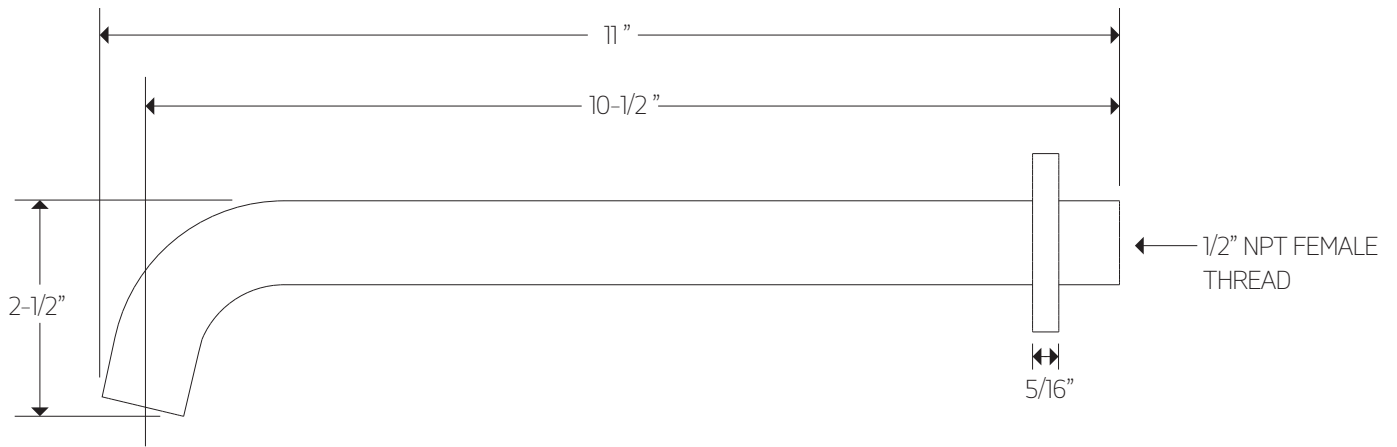
This unit requires a control

# artos<sup>®</sup>

## F908-5

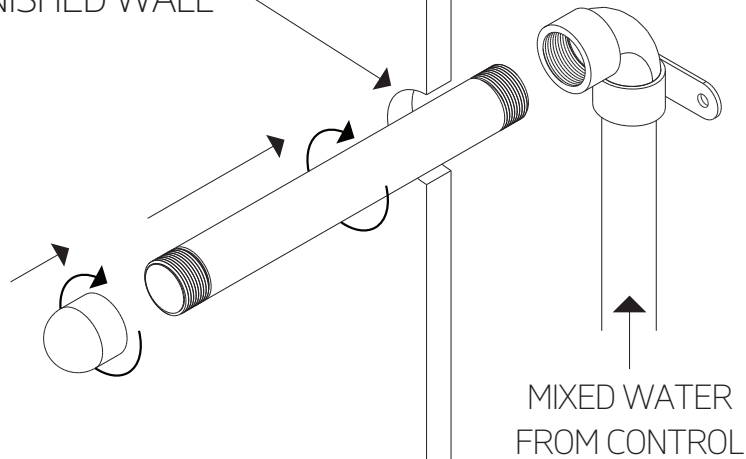
## PRODUCT DIMENSIONS

opera extended wall mount  
tub filler



### STEP 1

1-5/8" DIAMETER THROUGH  
FINISHED WALL



### STEP 2

1-5/8" DIAMETER  
THROUGH FINISHED  
WALL

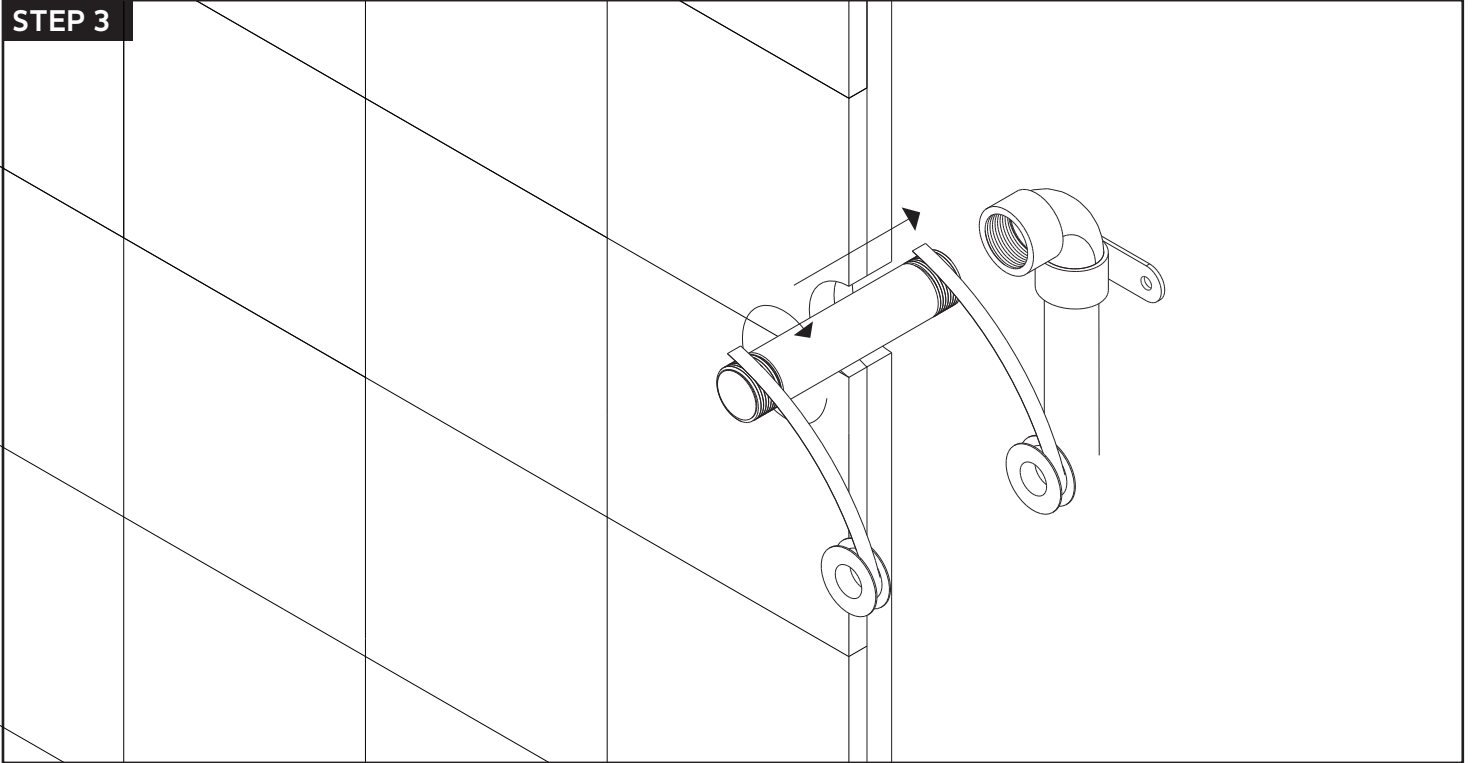
REMOVE  
TEMPORARY  
PIPE

MIXED WATER  
FROM CONTROL

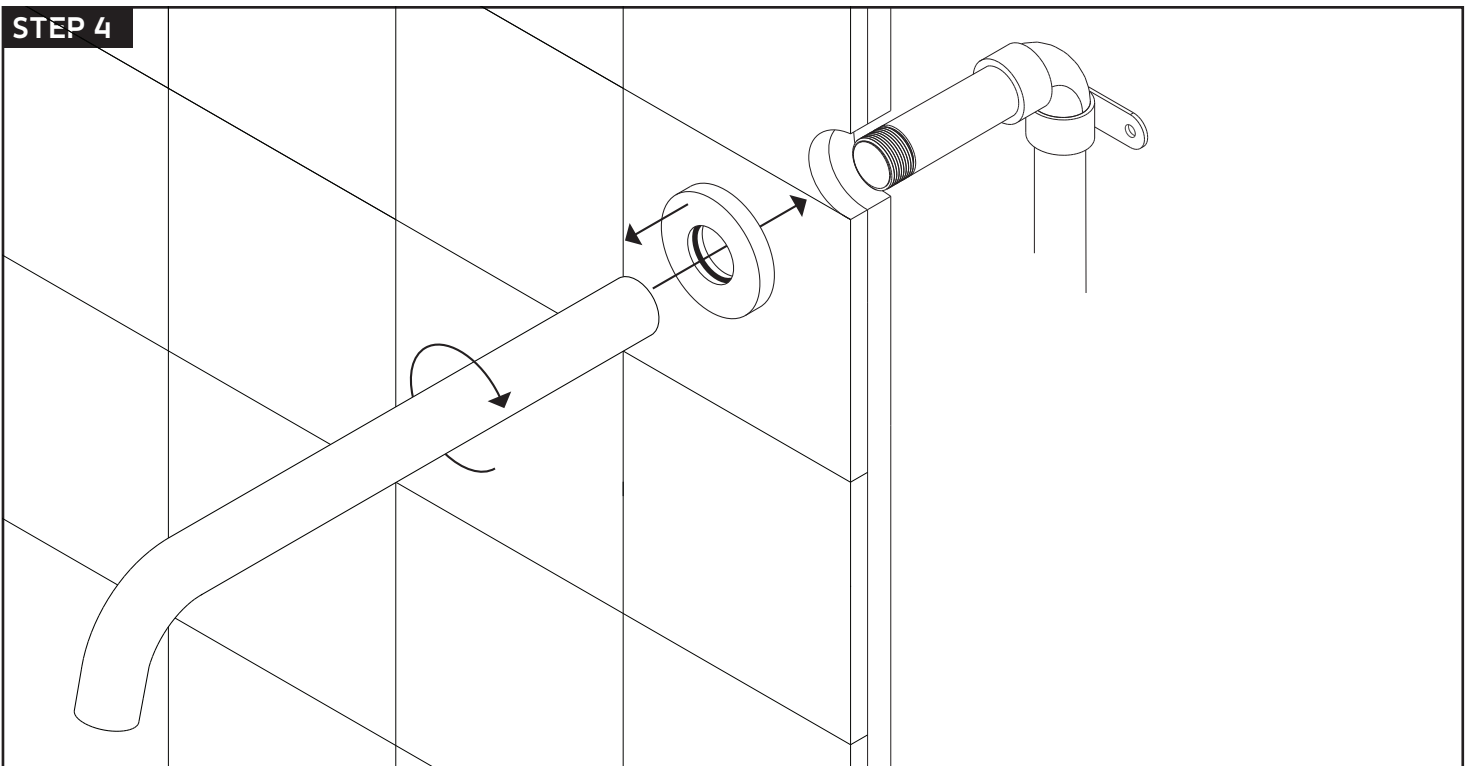
This diagram illustrates the second step of installation. The temporary pipe is shown being removed from the wall. The hole in the wall is labeled as being 1-5/8 inches in diameter. The tub filler handle and its vertical pipe are shown to the right, with an arrow pointing upwards labeled 'MIXED WATER FROM CONTROL'. The main pipe is now shown as a shorter, thicker section that has been permanently installed through the wall.

# INSTALLATION STEPS

## STEP 3



## STEP 4

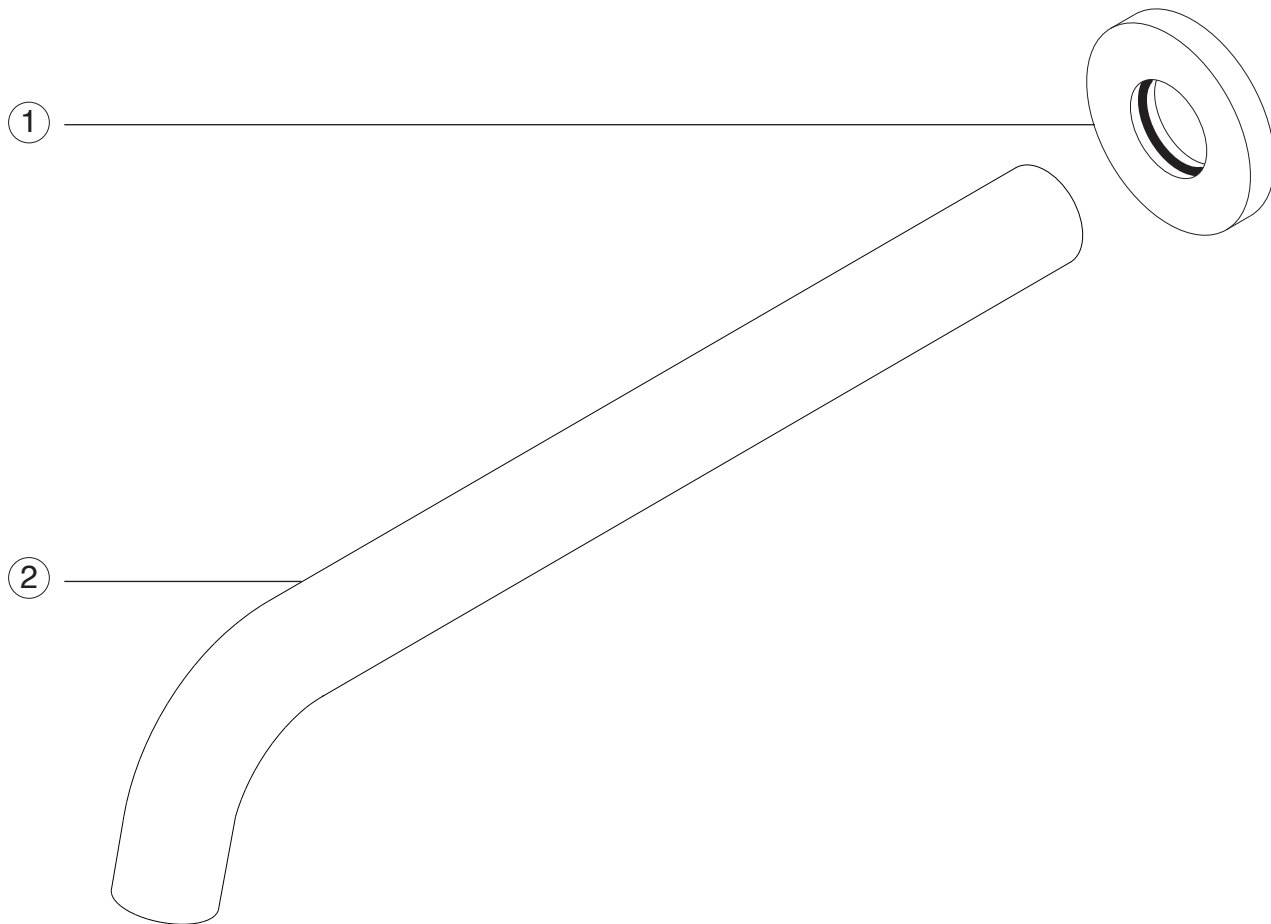


# artos<sup>®</sup>

F908-5

**PARTS BREAKDOWN**

opera extended wall mount  
tub filler



- ① ESCUTCHEON
- ② TUB FILLER SPOUT