

# F908-4

Opera Round 8" Wall Mounted Tub Filler

artos®

**INSTALLATION GUIDE**



# F908-4

Opera Round 8" Wall Mounted Tub Filler

artos®

## OPERATING SPECIFICATIONS



### HOT WATER SUPPLY TEMPERATURE

Maximum: 176°  
Advisable: 60°-160°

### OPERATING PRESSURE

Minimum: 15psi  
Maximum: 75psi  
Recommended: 20psi-70psi

Above 90psi it may be necessary to install pressure reducer

### FLOW RATE

4.5 USGPM

### INLET/OUTLET

1/2" Female

### MATERIAL

Solid Brass

### INSTALLATION TYPE

Wall Mounted

### INSTALLATION DIMENSIONS

1 3/8" hole in diameter or smaller

### REQUIREMENTS

This unit requires a control

### STANDARDS

To view all standards please visit product approvals in our learning hub at [artos.us.com](http://artos.us.com)

2

WESTOVER, INC

4011 S 60TH ST, OMAHA, NE 68117

[WWW.ARTOS.US.COM](http://WWW.ARTOS.US.COM)

T: 402-397-3344

All technical specifications, product details, and pricing are subject to change without prior notice. Artos makes every effort to ensure accuracy; however, errors or omissions may occur. It is the responsibility of the installer, designer, or purchaser to verify all critical dimensions, installation requirements, and compliance with applicable codes prior to use.

Artos assumes no liability for damages, losses, or injuries resulting from the use of this documentation or from product installation, operation, or maintenance performed outside of Artos instructions and applicable codes. Product warranties are limited to those expressly stated by Artos. Please refer to official warranty documentation for complete terms and conditions.

All drawings, manuals, and specifications are the property of Artos and may not be reproduced, distributed, or altered without prior written permission.

# F908-4

artos®

Opera Round 8" Wall Mounted Tub Filler

**INDEX**

## INDEX

Product Dimensions.....pg:4

Opera Round 8" Wall Mounted Tub Filler Installation F908-4.....pg:5-8

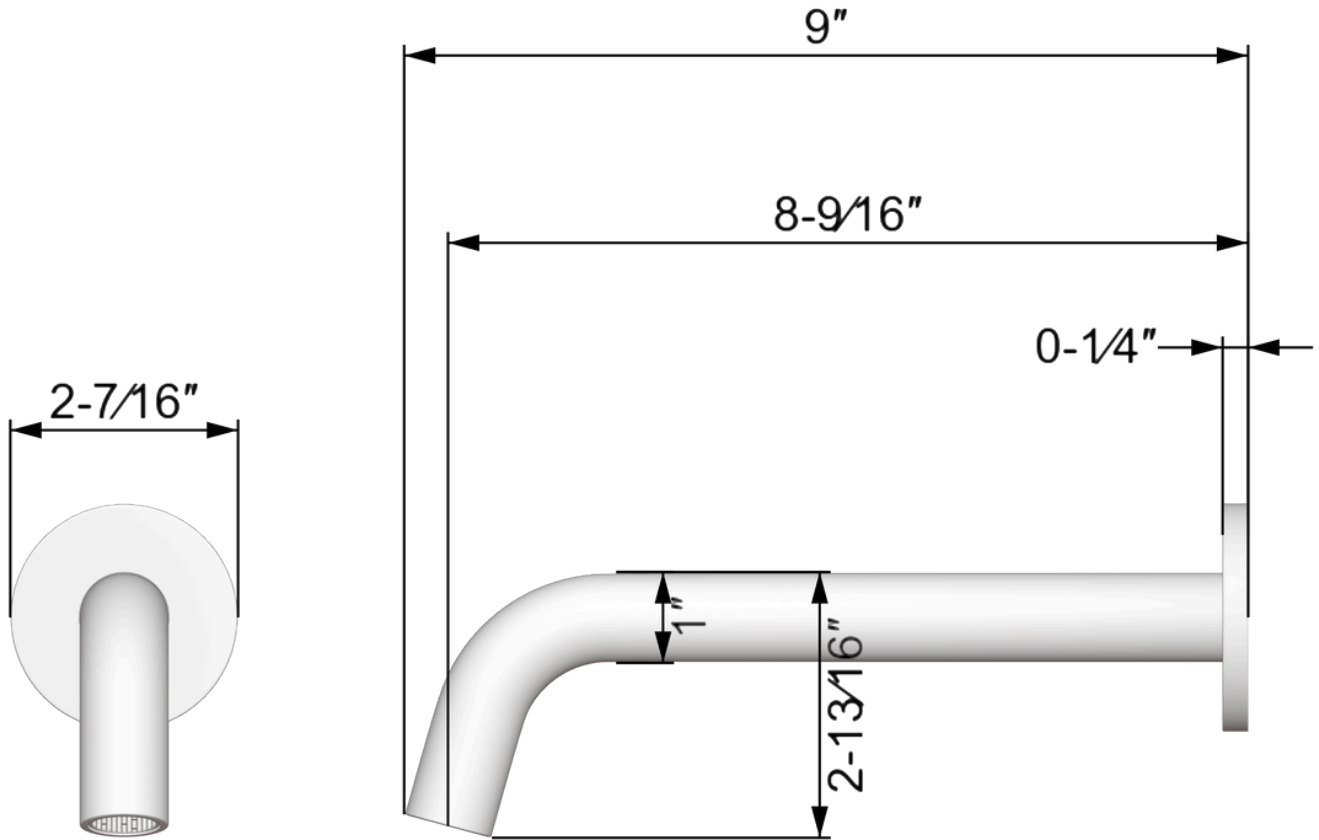
Parts Breakdown F908-4.....pg:9

# F908-4

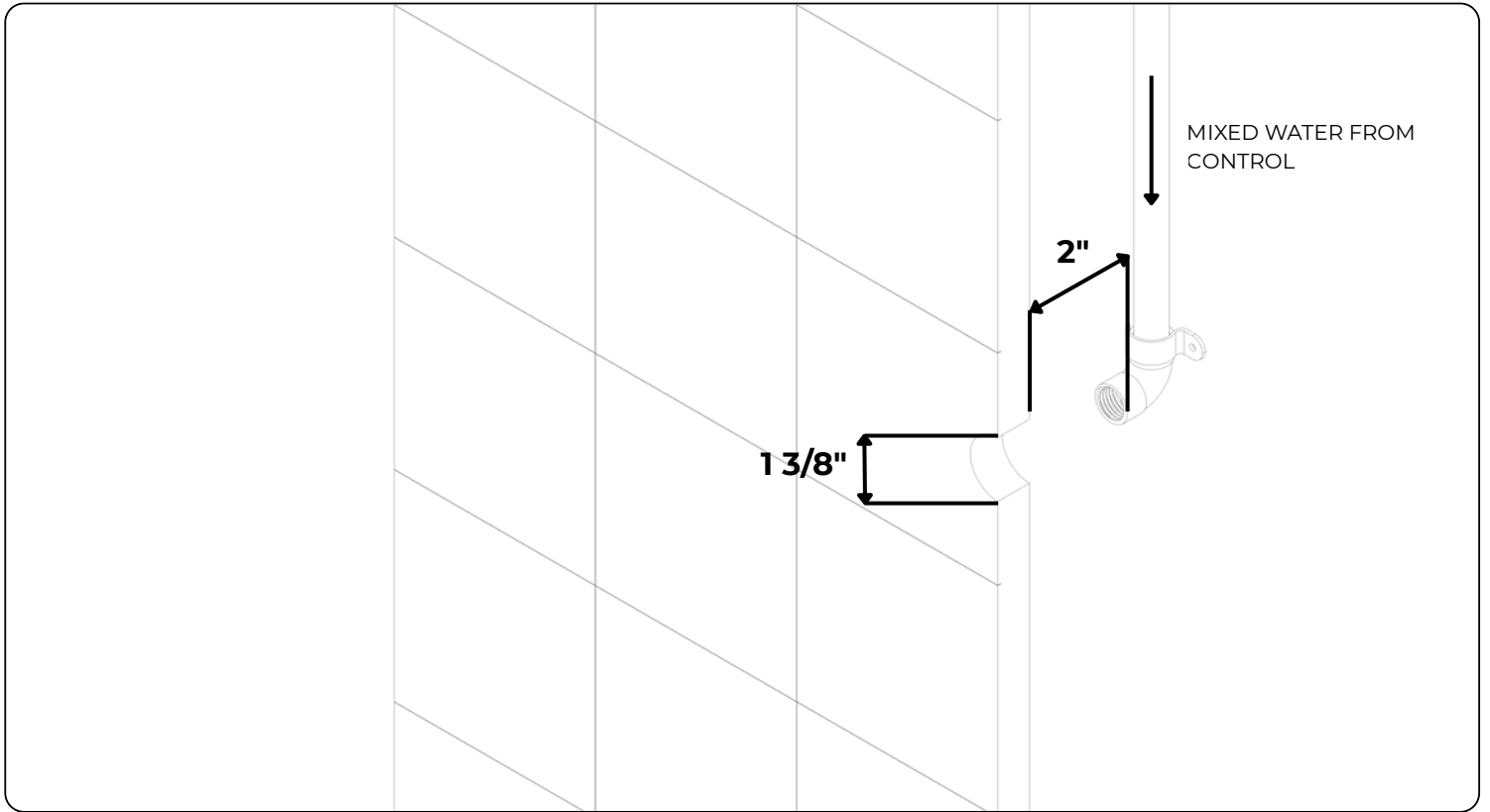
Opera Round 8" Wall Mounted Tub Filler

artos®

## PRODUCT DIMENSIONS



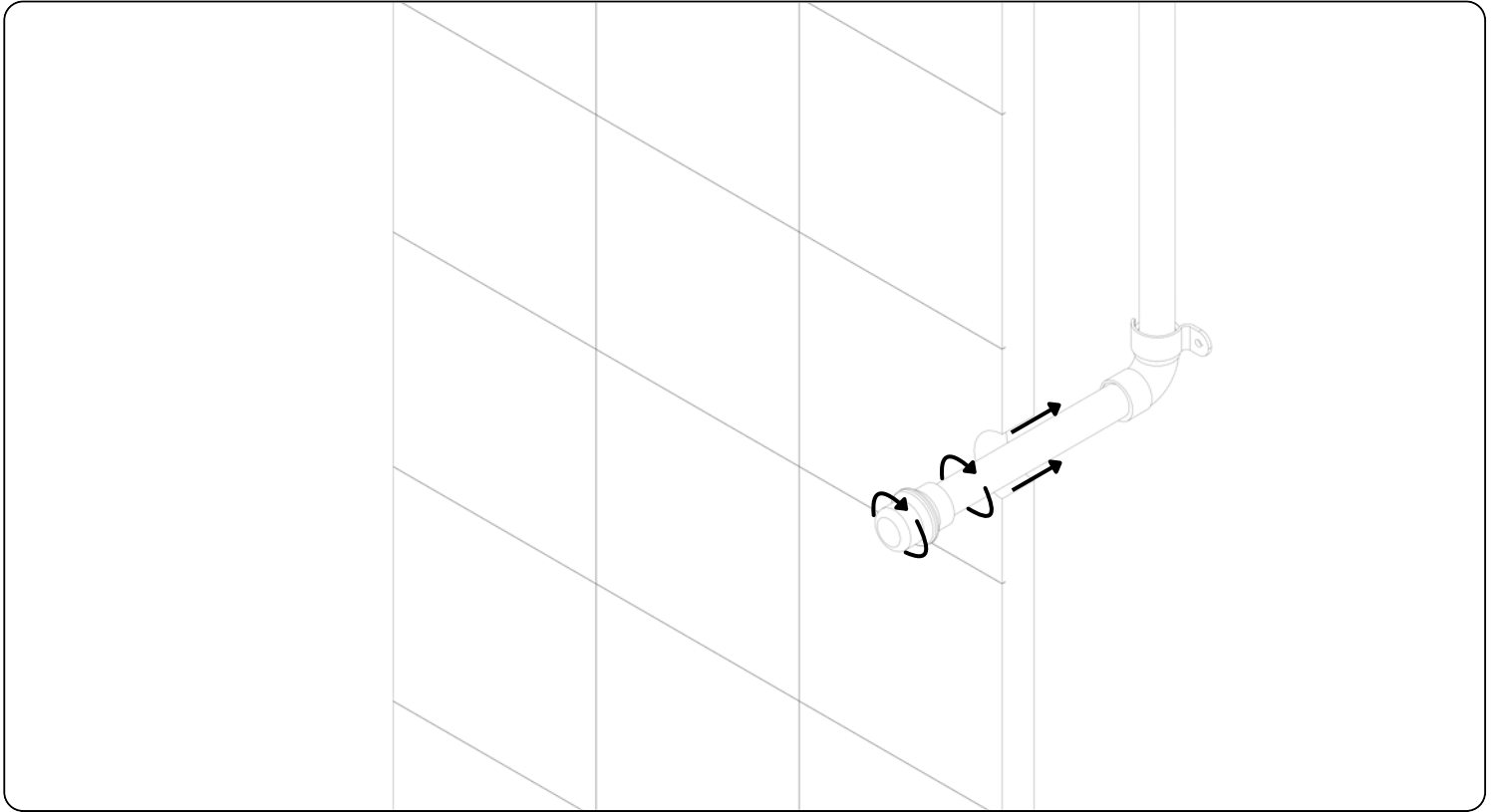
## STEP 1



Behind the wall, route the mixed water supply line from the control valve to the desired height for the tub filler outlet. Install a **1/2"** female threaded elbow fitting, positioning it so the open end faces outward perpendicular from wall faces. Ensure the outlet of the elbow is a maximum of **2"** from the inside surface of the finished wall to allow adequate space for threading the copper pipe or brass nipple.

Drill a horizontal opening, **1 3/8"** in diameter or smaller, through the finished wall. Ensure the hole is centered on the supply outlet to accommodate the threaded connection.

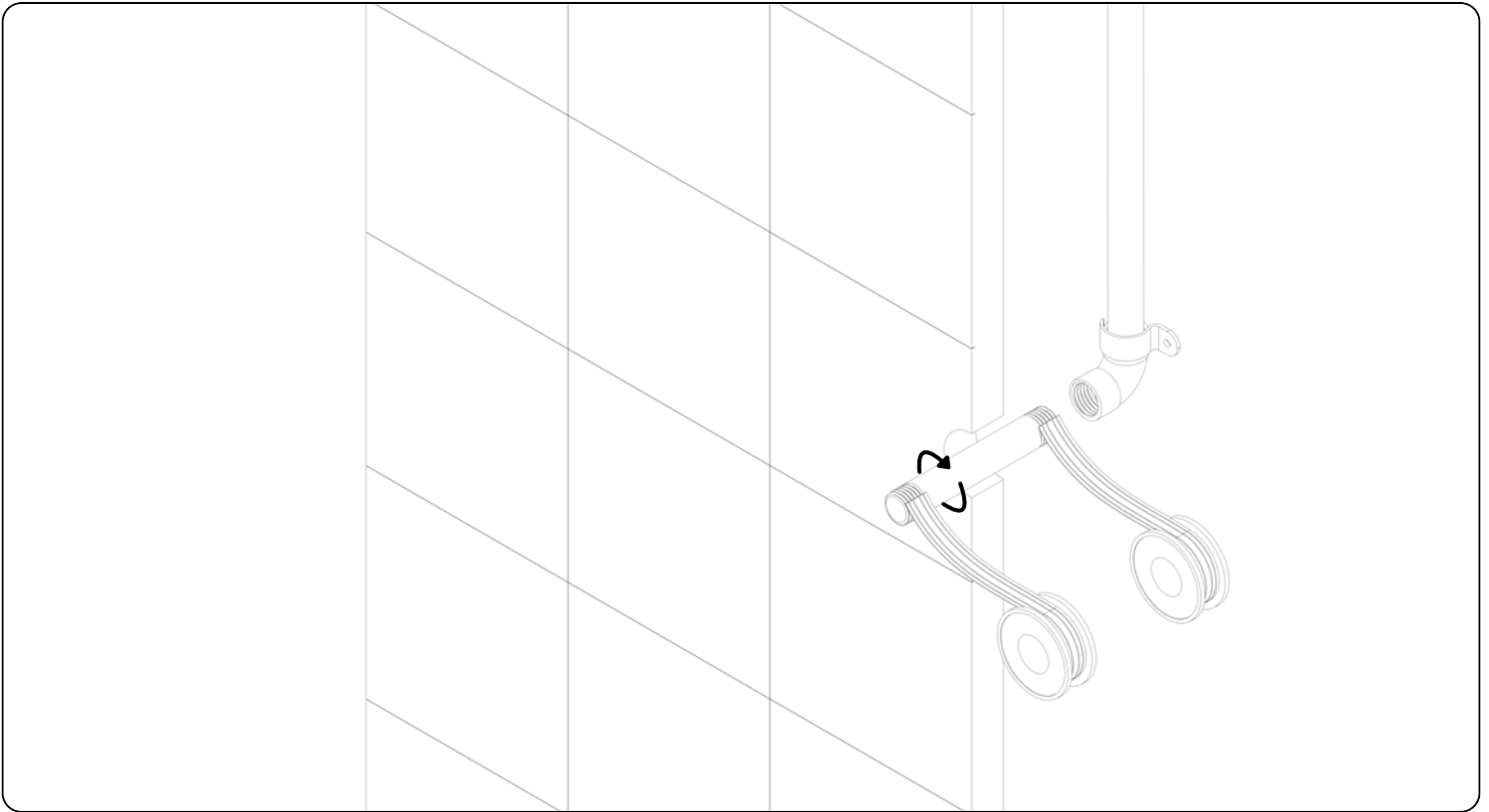
## STEP 2



Insert a **temporary** copper stub pipe into the threaded elbow and cap the exposed end. This prevents debris, drywall compound, or tile adhesive from entering the fitting during wall finishing.

Once the wall surface is complete, remove the temporary pipe and cap.

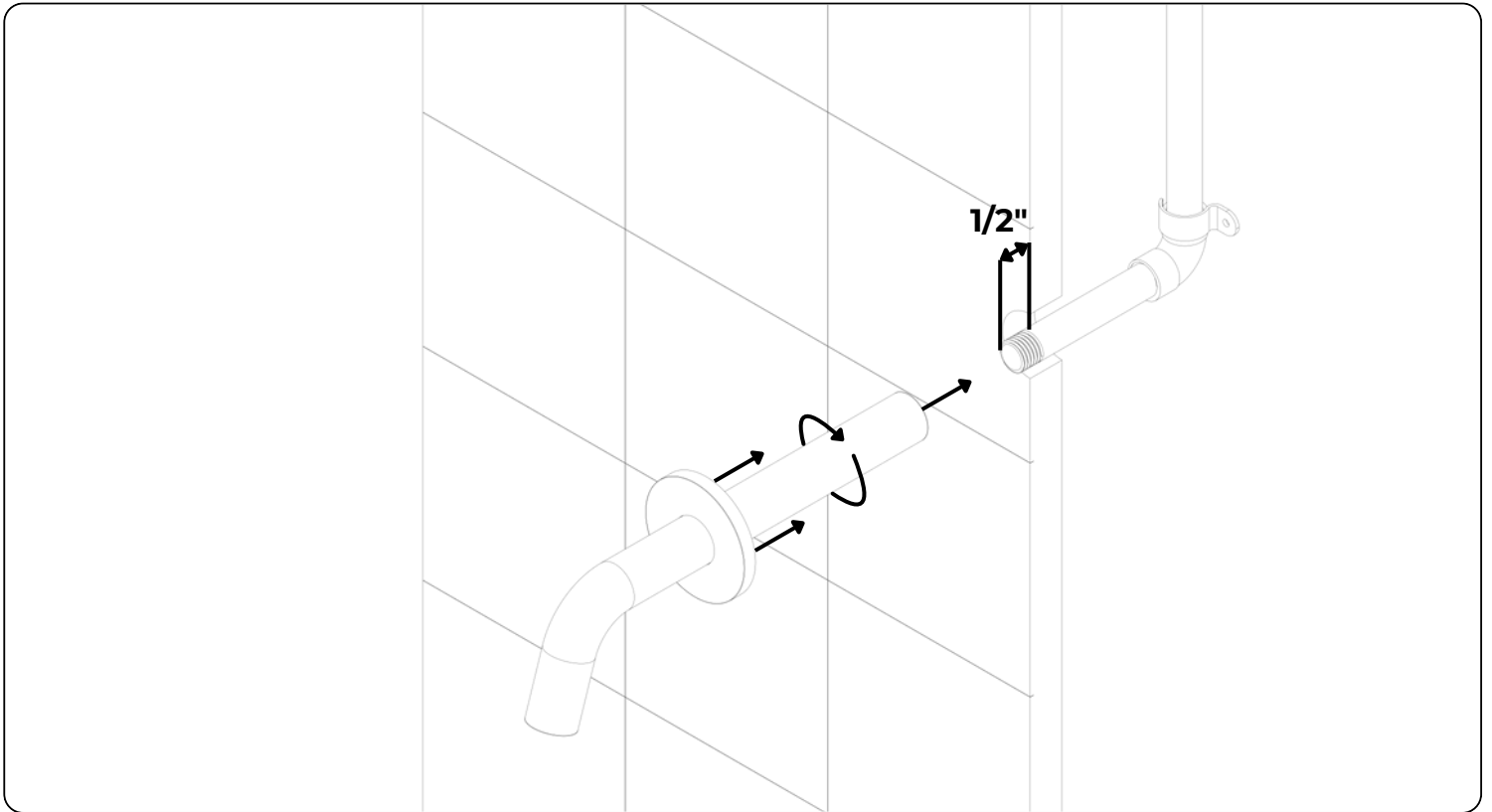
## STEP 3



Insert a short section of copper pipe or brass nipple with male **1/2"** NPT threads on both ends into the threaded elbow. Adjust as necessary based on position of mounted pipe. The section, once threaded, should protrude from finish wall less than **1/2"**. Apply plumber's tape (PTFE thread seal tape) to the male threads before installation to ensure a watertight connection. Thread one end of the pipe securely into the elbow fitting behind the wall. Adjust as needed so that the tub filler connection is either flush against finish wall or in wall behind escutcheon to ensure the escutcheon seats properly during final installation.

**Note:** Verify that the connector is level and aligned perpendicular to the wall for proper tub filler installation.

## STEP 4



Slide the round escutcheon onto the tub filler, with the finished surface facing outward. Assure plumber's tape (PTFE thread seal tape) is applied to the male threads on the wall outlet pipe, wrapping 2–3 full turns for a proper seal. Align the female inlet on the tub filler with the taped outlet threads and thread the filler on by hand, turning slowly to avoid cross-threading. Tighten until snug and the filler is properly oriented. If additional tightening is required, use a rubber-jawed wrench or soft cloth to protect the finish during adjustment. Ensure the escutcheon sits flush and evenly against the finished wall surface.

Turn on the local water supply (if the system is in a finished and enclosed state) and check all connections for leaks.

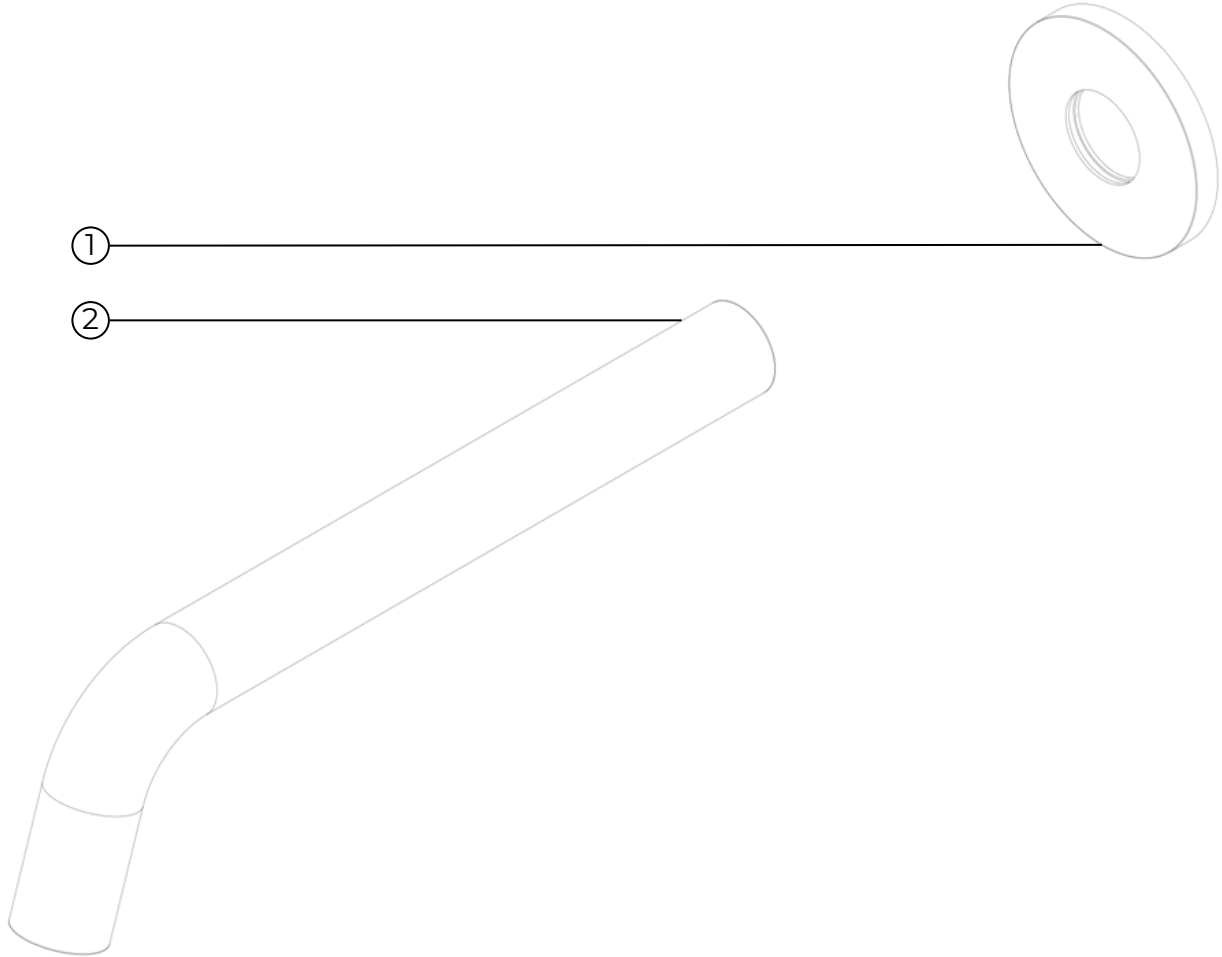
**Note:** A thin bead of silicone sealant may be applied around the outer edge of the escutcheon or where the filler connection meets the wall to help prevent moisture from entering the wall cavity. Allow the sealant to cure according to the manufacturer's recommended drying time before use.

# F908-4

Opera Round 8" Wall Mounted Tub Filler

artos®

## PARTS BREAKDOWN



- ① TUB FILLER ESCUTCHEON ROUND
- ② TUB FILLER