

F907-87

Square Slide Bar with Integrated Water Outlet

artos®

INSTALLATION GUIDE



F907-87

Square Slide Bar with Integrated Water Outlet

artos®

OPERATING SPECIFICATIONS



OPERATING PRESSURE

Minimum: 20psi

Maximum: 125psi

Recommended: 30psi-95psi

Operating pressures (on hot and cold lines) should be kept as balanced as possible, in order to assure the maximum efficiency.

STANDARDS



All technical specifications, product details, and pricing are subject to change without prior notice. Artos makes every effort to ensure accuracy; however, errors or omissions may occur. It is the responsibility of the installer, designer, or purchaser to verify all critical dimensions, installation requirements, and compliance with applicable codes prior to use.

Artos assumes no liability for damages, losses, or injuries resulting from the use of this documentation or from product installation, operation, or maintenance performed outside of Artos instructions and applicable codes. Product warranties are limited to those expressly stated by Artos. Please refer to official warranty documentation for complete terms and conditions.

All drawings, manuals, and specifications are the property of Artos and may not be reproduced, distributed, or altered without prior written permission.

F907-87

artos®

Square Slide Bar with Integrated Water Outlet

INDEX

INDEX

Product Dimensions.....pg:4

Square Slide Bar Installation F907-87.....pg:5-9

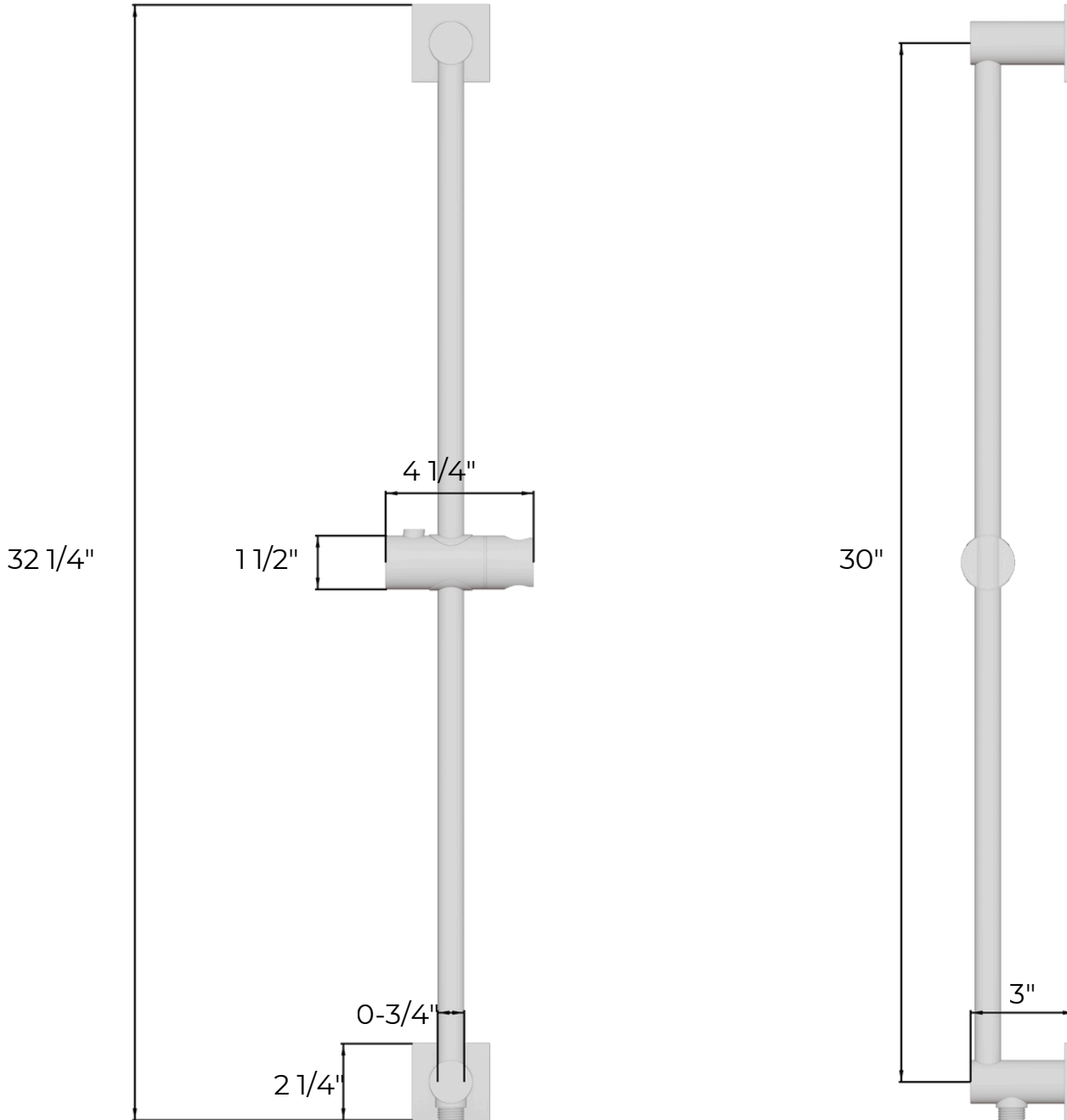
Parts Breakdown F907-87.....pg:10

F907-87

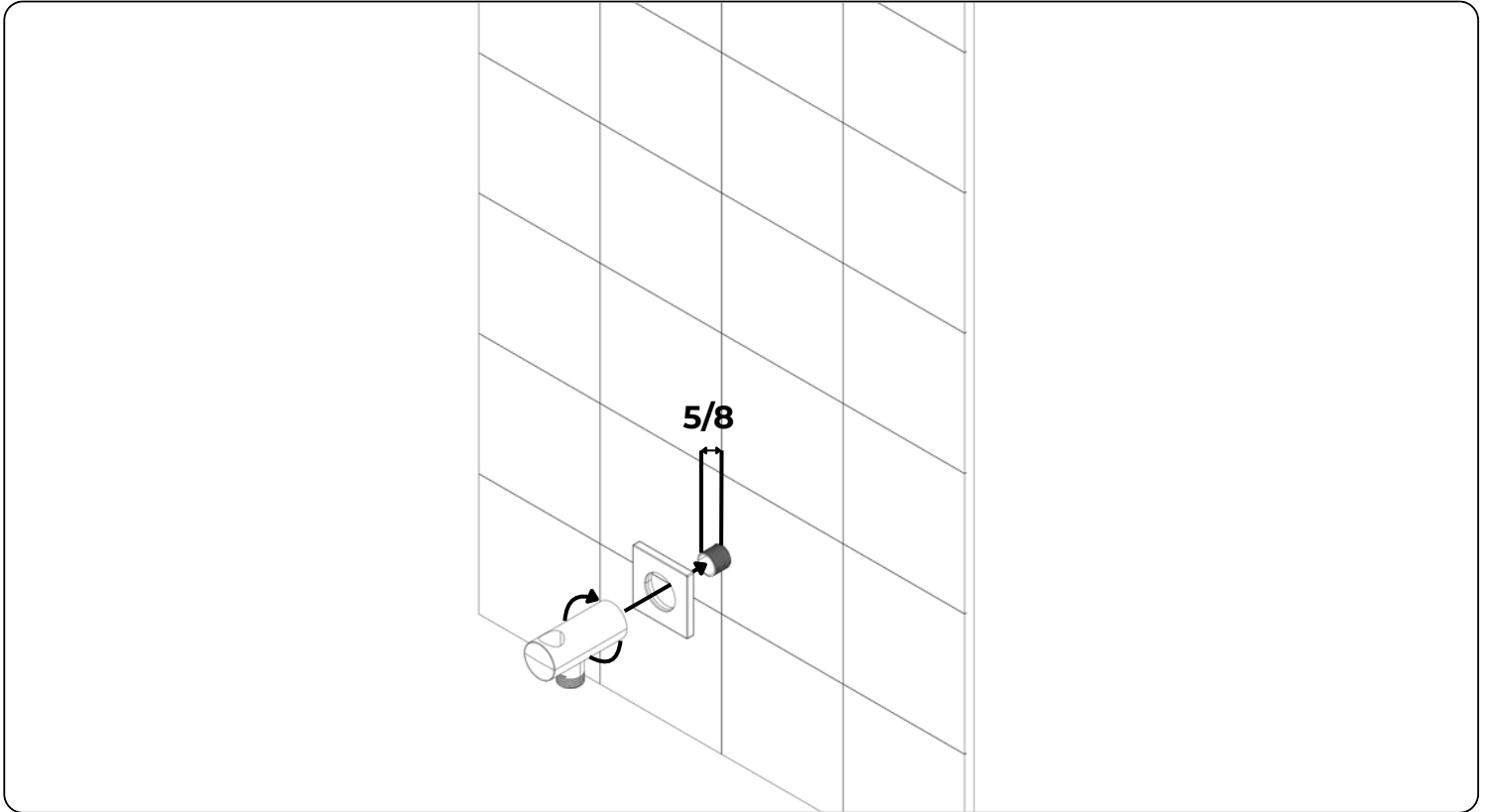
Square Slide Bar with Integrated Water Outlet

artos®

PRODUCT DIMENSIONS

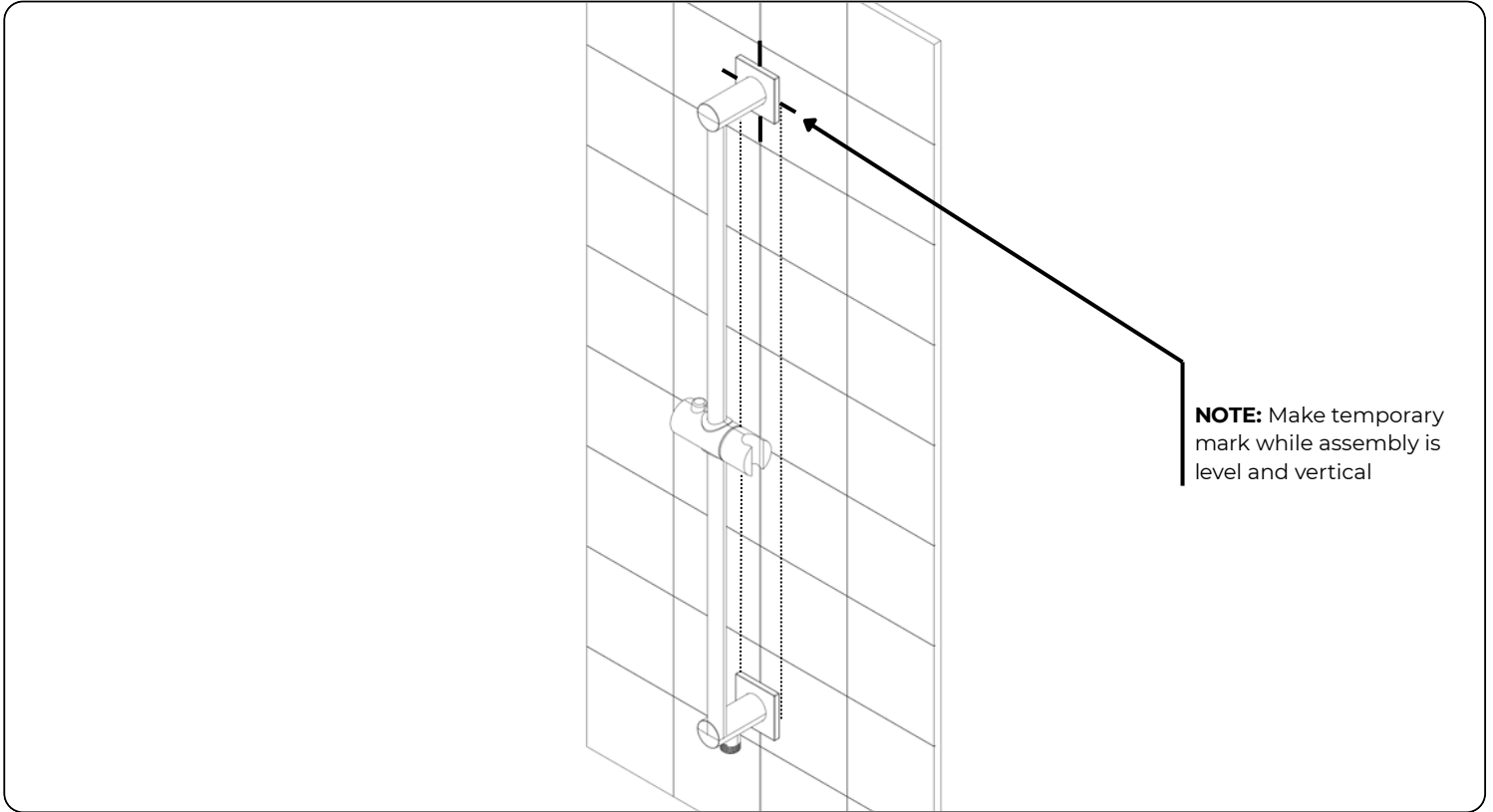


STEP 1



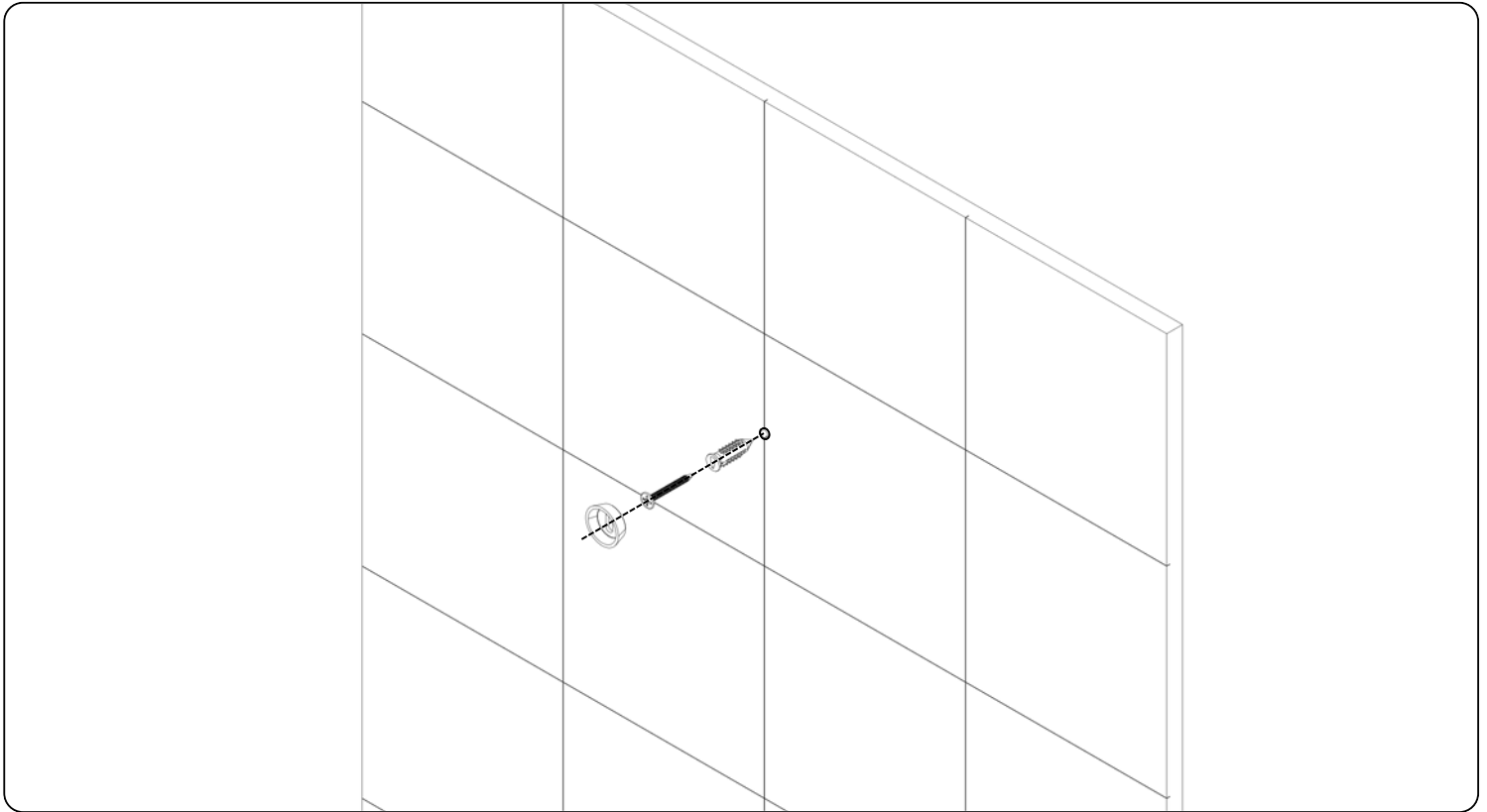
Install a male **3/4**-inch threaded copper pipe fitting so that it protrudes **approximately 5/8**-inch from the finished wall surface or until the slide bar arm sits flush. Wrap the threads with Teflon plumber's tape to ensure a watertight seal. Position the escutcheon plate over the opening, then thread the lower slide bar arm with the integrated water outlet onto the fitting. Tighten securely and confirm that the outlet is oriented perpendicular to the ground.

STEP 2



Assemble the slide bar and hold it vertically against the wall to check alignment. Mark the wall at the position where the upper slide bar arm will be mounted. Remove the assembly and set it aside.

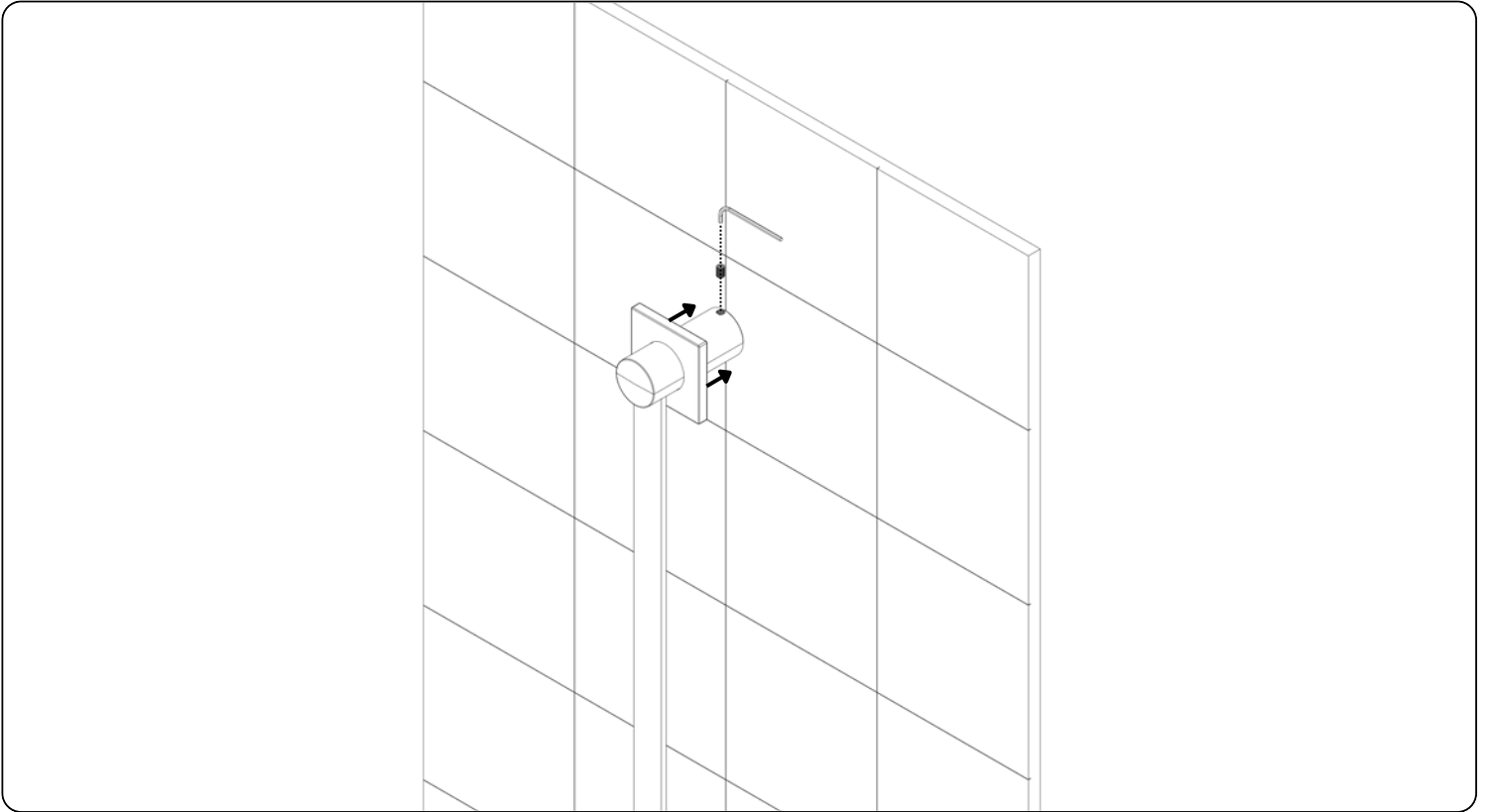
STEP 3



Drill a **3/16**-inch pilot hole at the marked location, going through tile and backer board use tile safe drill bit. Insert the included wall anchor until flush with the wall surface. Place the brass washer cap over the drywall screw with the flat side toward the wall, then drive the screw into the anchor until snug.

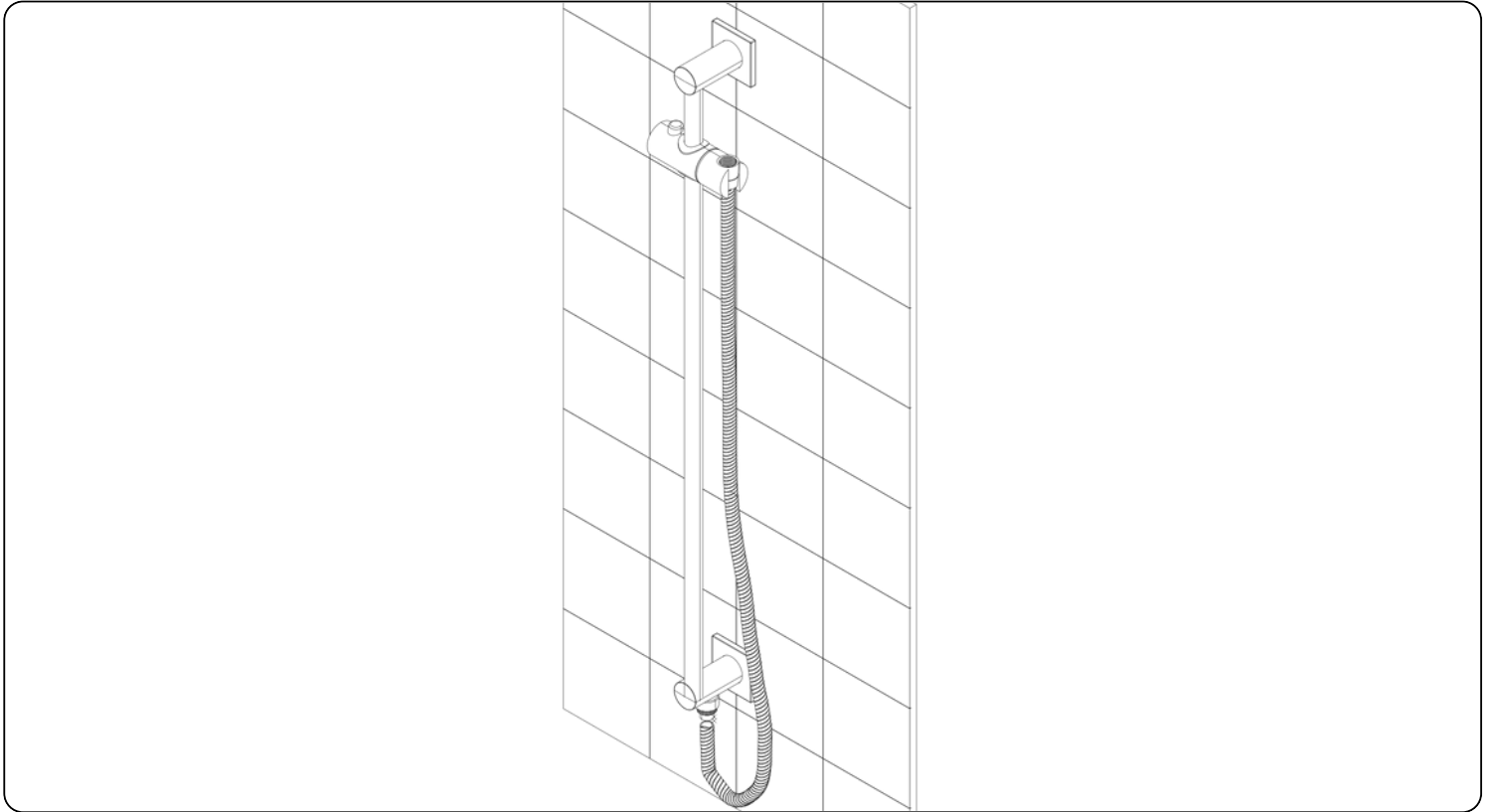
Note: Do not oversize the pilot hole, as this may compromise the grip of the wall anchor and result in loosening over time.

STEP 4



Reposition the slide bar assembly, making sure to insert the bar through the adjustable shower wand holder. Verify that the set screw in the upper arm is fully tightened to hold the slide bar securely in place. Tighten the set screw behind the escutcheon onto the brass cap to lock the assembly. Finally, slide the escutcheon plate over the arm until it rests flush against the wall.

Note: To prevent water from entering the wall cavity, apply a thin bead of silicone caulk either around the escutcheon plate where it meets the wall or around the copper fitting before final tightening. Smooth the sealant for a clean finish and allow it to cure as recommended by the manufacturer.

STEP 5

Screw the hose nut of the shower wand hose onto the water outlet located on the lower slide bar arm. Securely tighten the connection by hand. Place the opposite end of the hose into the adjustable shower wand holder, ensuring the wand is properly seated in the channel.

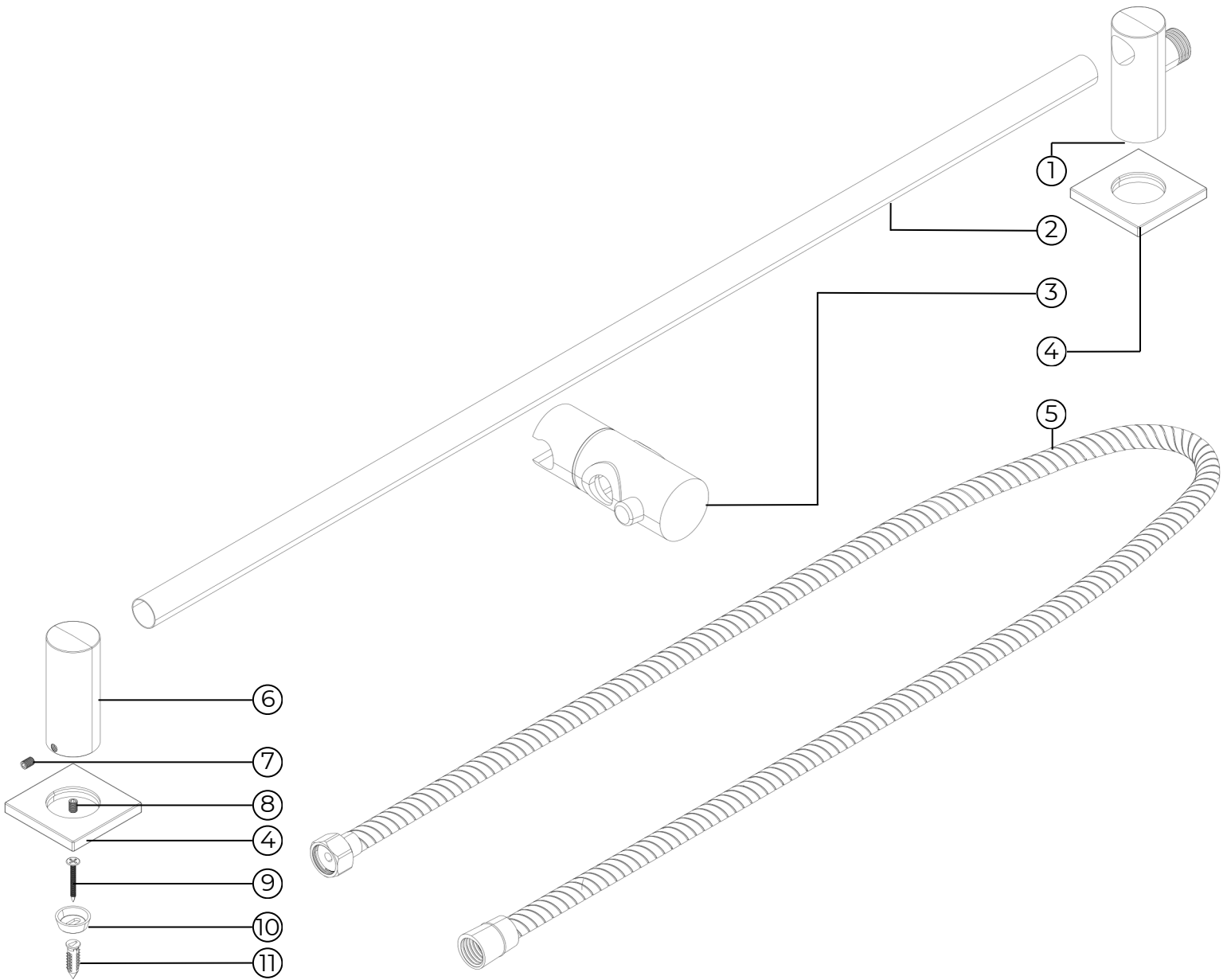
Perform a final check to ensure the slide bar is vertical and properly aligned. Confirm that all set screws and fittings are tightened securely. Turn on the water supply and test for leaks at all connection points. Adjust as necessary before completing installation.

F907-87

Square Slide Bar with Integrated Water Outlet

artos®

PARTS BREAKDOWN



- ① LOWER SLIDE BAR ARM+ WATER OUTLET
- ② SLIDE BAR
- ③ AJUSTABLE SHOWER WAND HOLDER
- ④ SQUARE SLIDE BAR ARM ESCUTCHEON
- ⑤ SHOWER WAND HOSE
- ⑥ UPPER SLIDE BAR ARM
- ⑦ WALL CAP SET SCREW
- ⑧ SLIDE BAR SET SCREW
- ⑨ DRYWALL SCREW
- ⑩ WALL CAP
- ⑪ WALL ANCHOR