

# artos<sup>®</sup>

F907-78

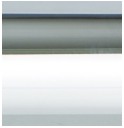
INSTALLATION GUIDE

bidet shower kit

BRUSHED NICKEL(BN)



CHROME(CH)



BLACK(BK)



# artos<sup>®</sup>

## F907-78

bidet shower kit

## OPERATING SPECIFICATIONS



### FEATURES

Integrated water connection included

Pressure balance mixer included

1.8 GPM flow rate

60" flexible hose

### INCLUDES

F903-12TK

F916-1

F902-42

F903-15

F902-8

### OPERATING PRESSURE

Minimum: 15 psi

Maximum: 75 psi

Above 90psi it may be necessary to install a pressure reducer.

### OPERATING TEMPERATURE

Maximum: 176 °

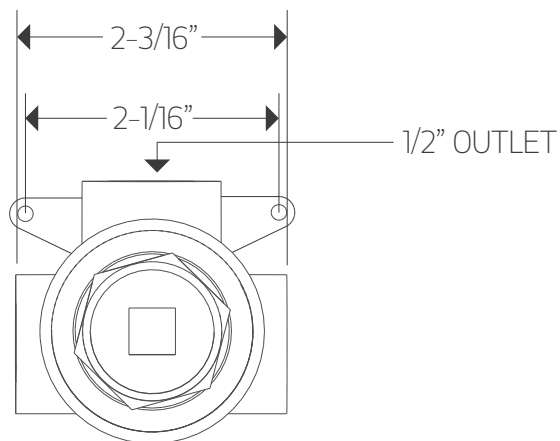
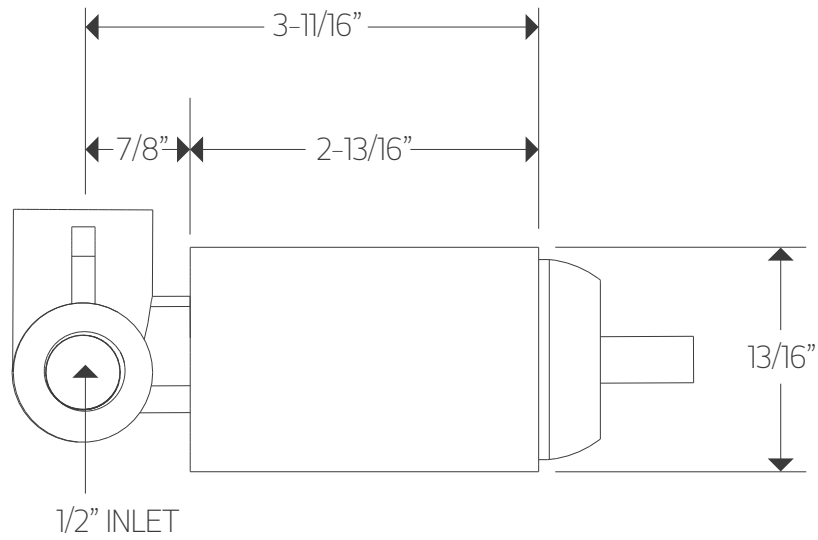
# artos<sup>®</sup>

## F907-78

bidet shower kit

### PRODUCT DIMENSIONS

for F903-15



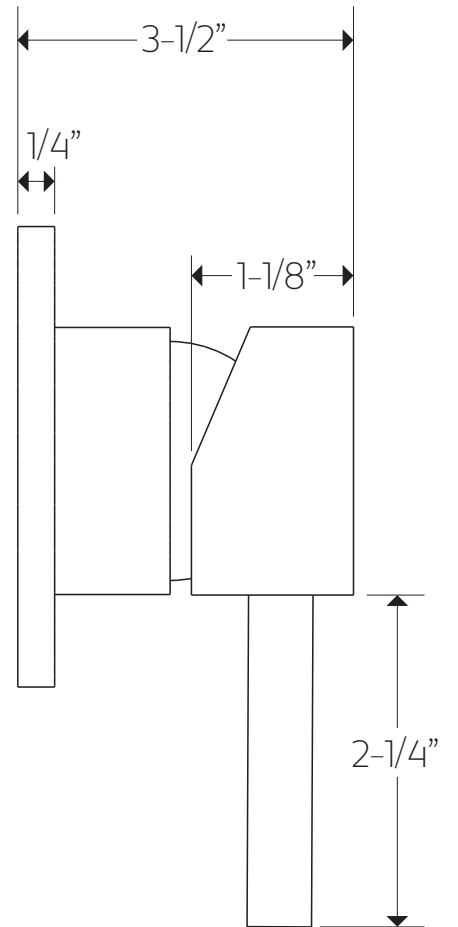
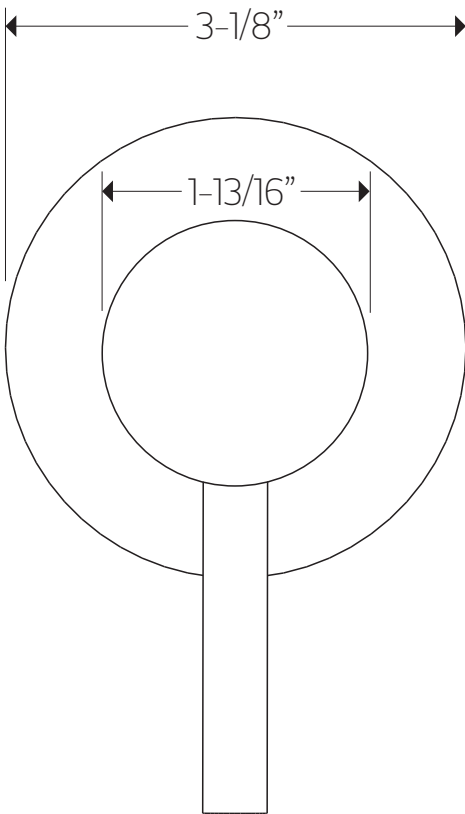
# artos<sup>®</sup>

F907-78

bidet shower kit

## PRODUCT DIMENSIONS

for F903-12TK



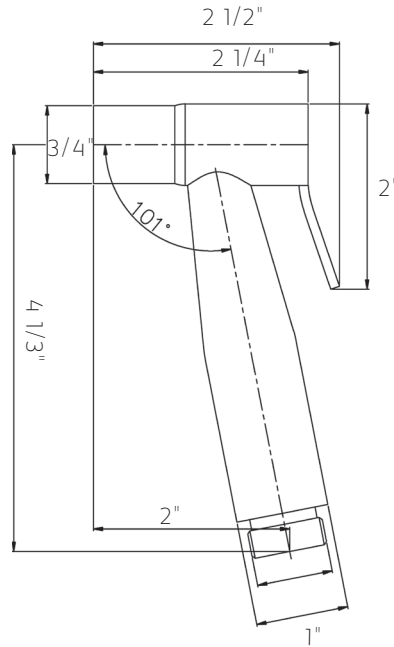
# artos<sup>®</sup>

## F907-78

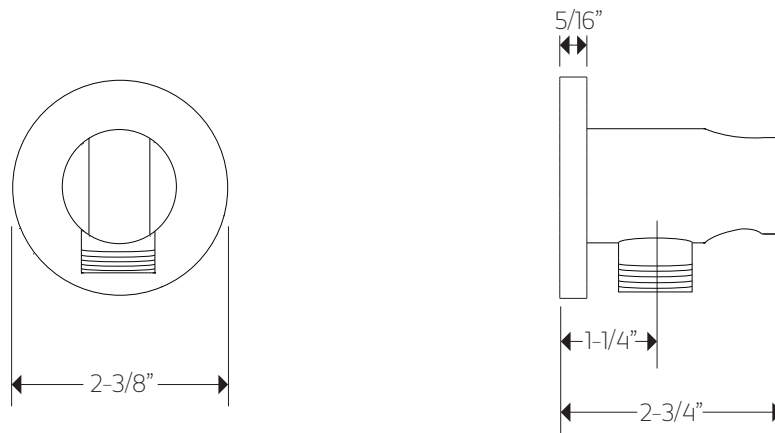
bidet shower kit

### PRODUCT DIMENSIONS

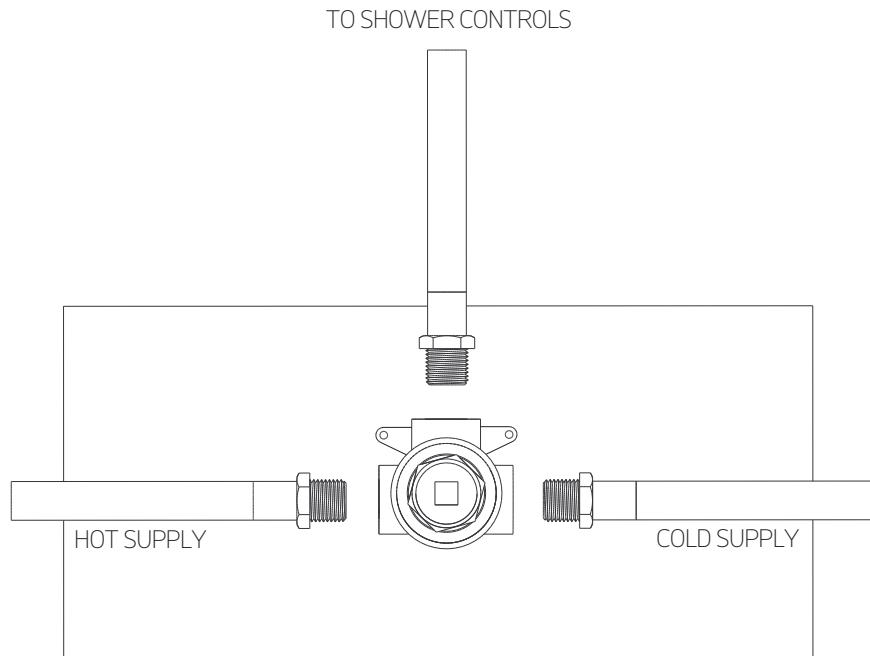
for F916-1



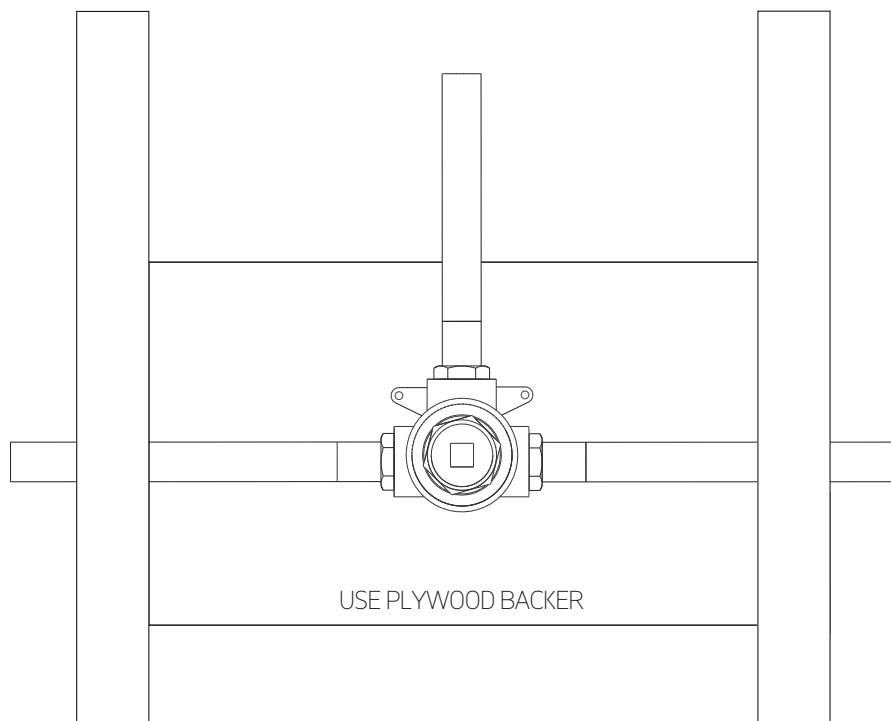
for F902-42



**STEP 1** IMPORTANT: IF USING HEAT NEAR THE VALVE BODY PLEASE REMOVE CARTRIDGE.

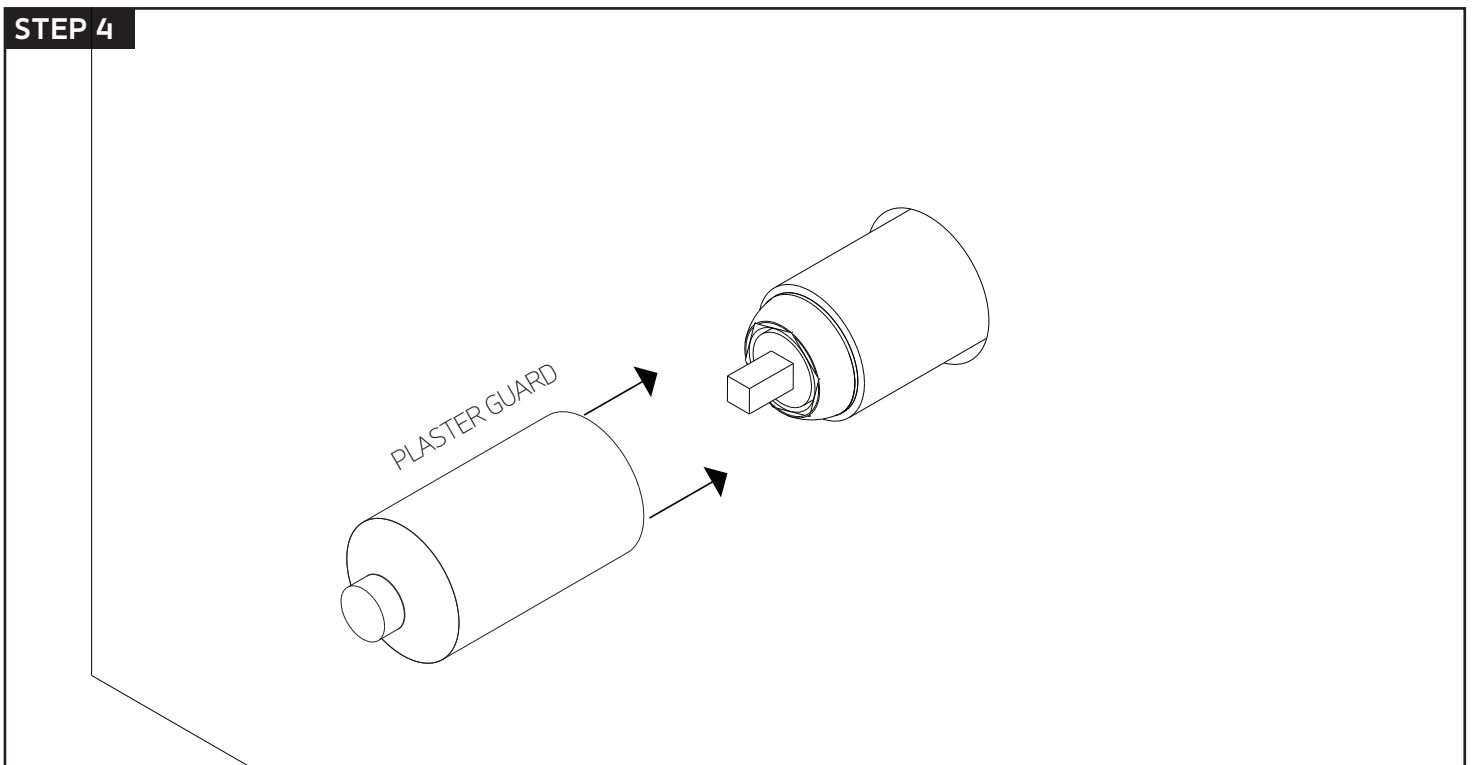
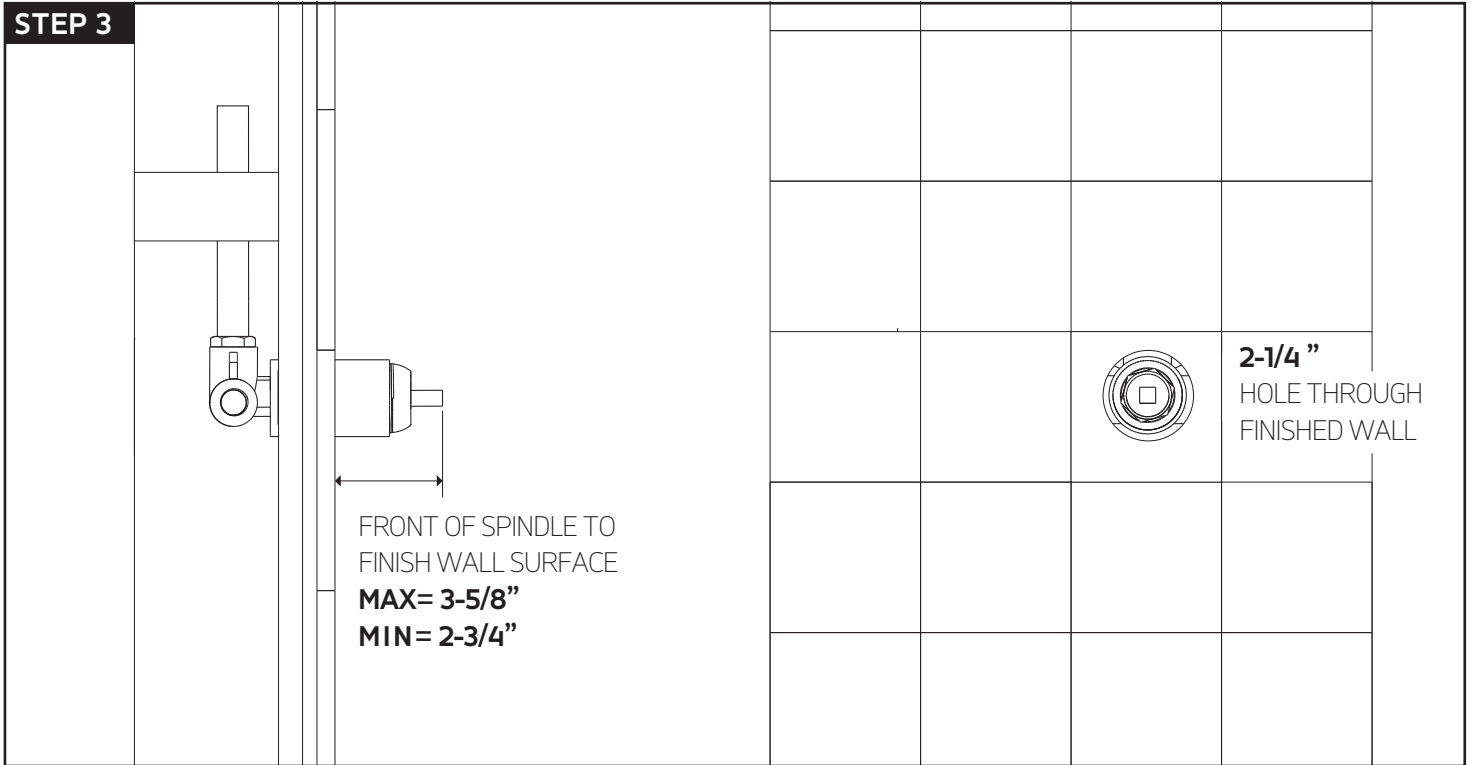


**STEP 2**

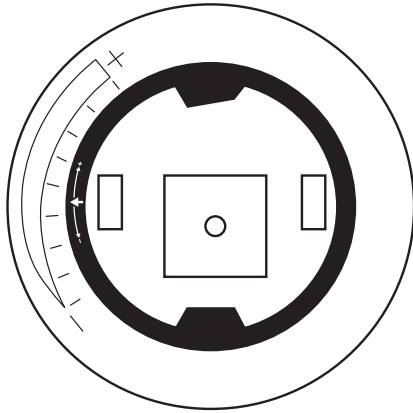


# INSTALLATION STEPS

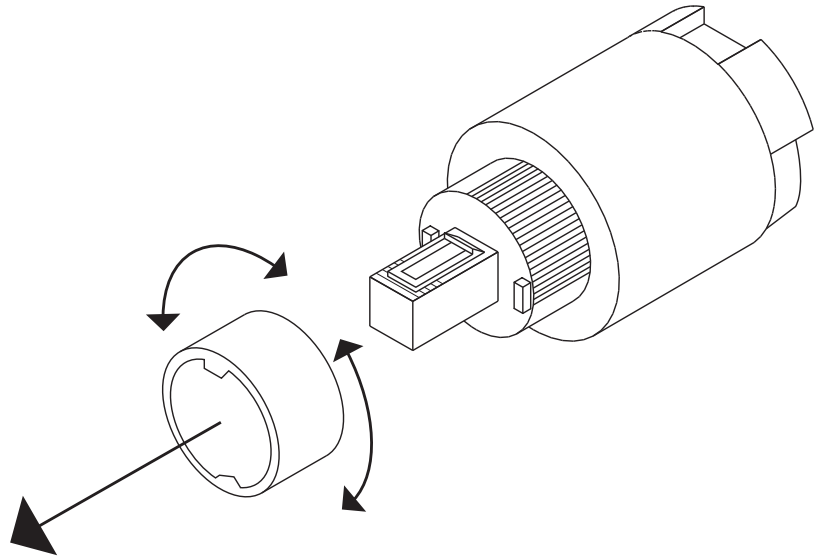
for F903-15



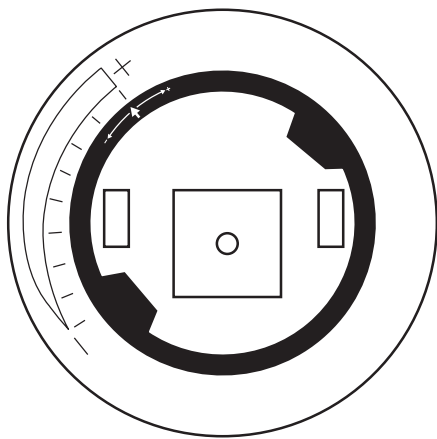
### STEP 1



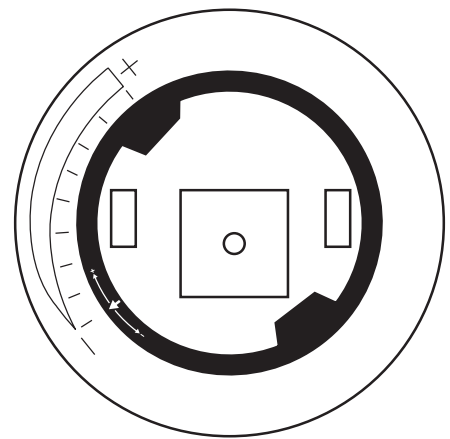
STANDARD POSITION



ADJUST THE TEMPERATURE LIMIT BY ROTATING THE TEMPERATURE LIMIT RING TO DESIRED POSITION



MAX TEMPERATURE

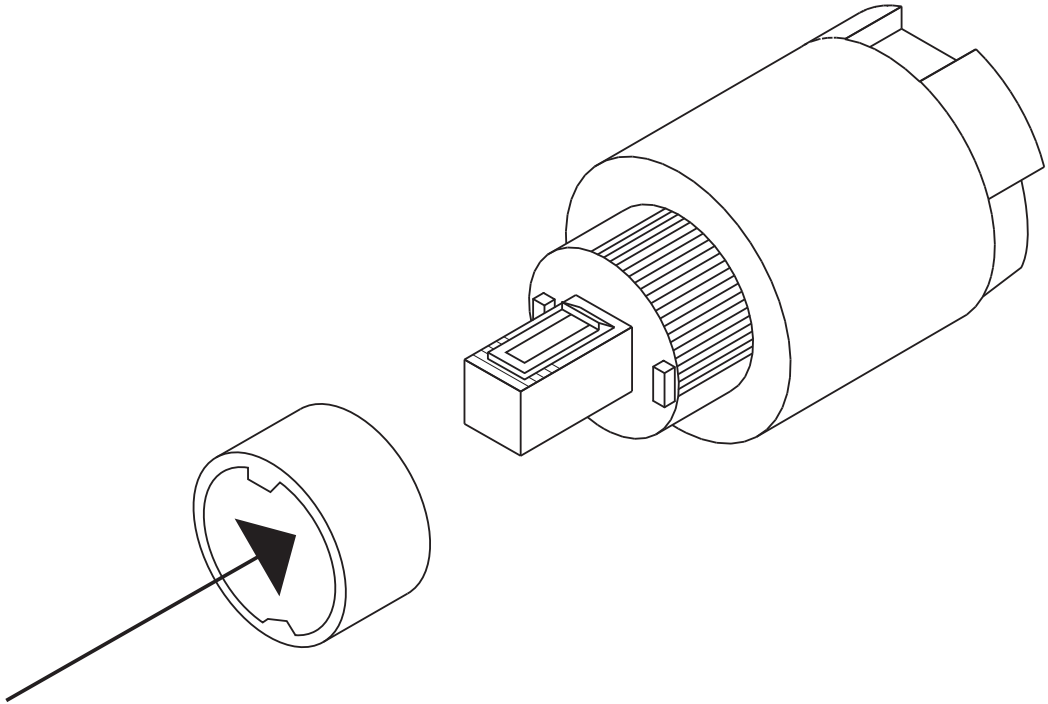


MIN TEMPERATURE

# TEMPERATURE CONTROL

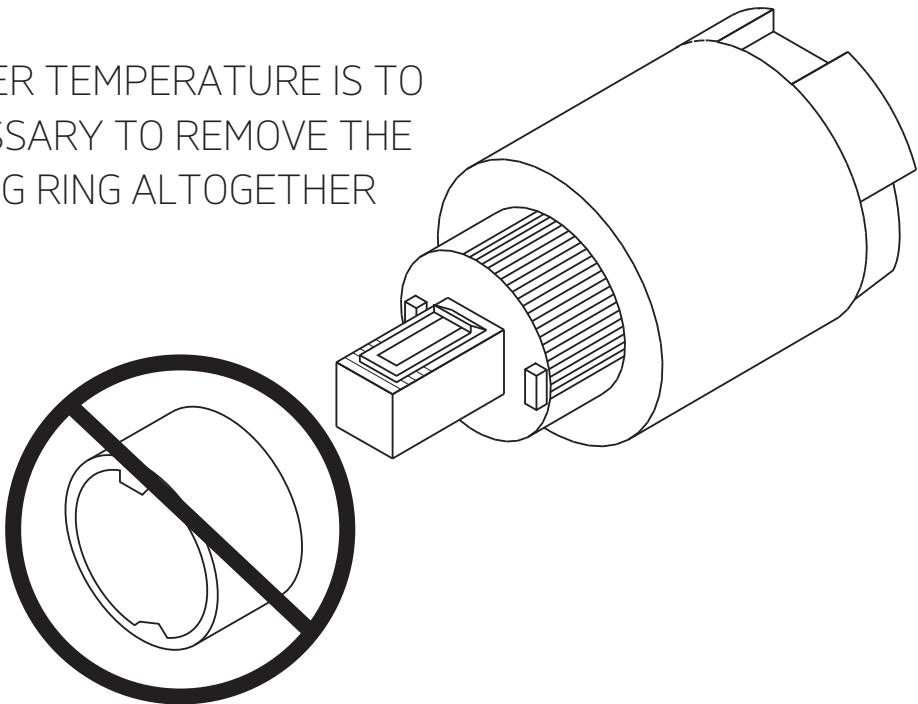
for F903-15

## STEP 2



## STEP 3

IF THE INCOMING WATER TEMPERATURE IS TOO LOW, IT MAY BE NECESSARY TO REMOVE THE TEMPERATURE LIMITING RING ALTOGETHER

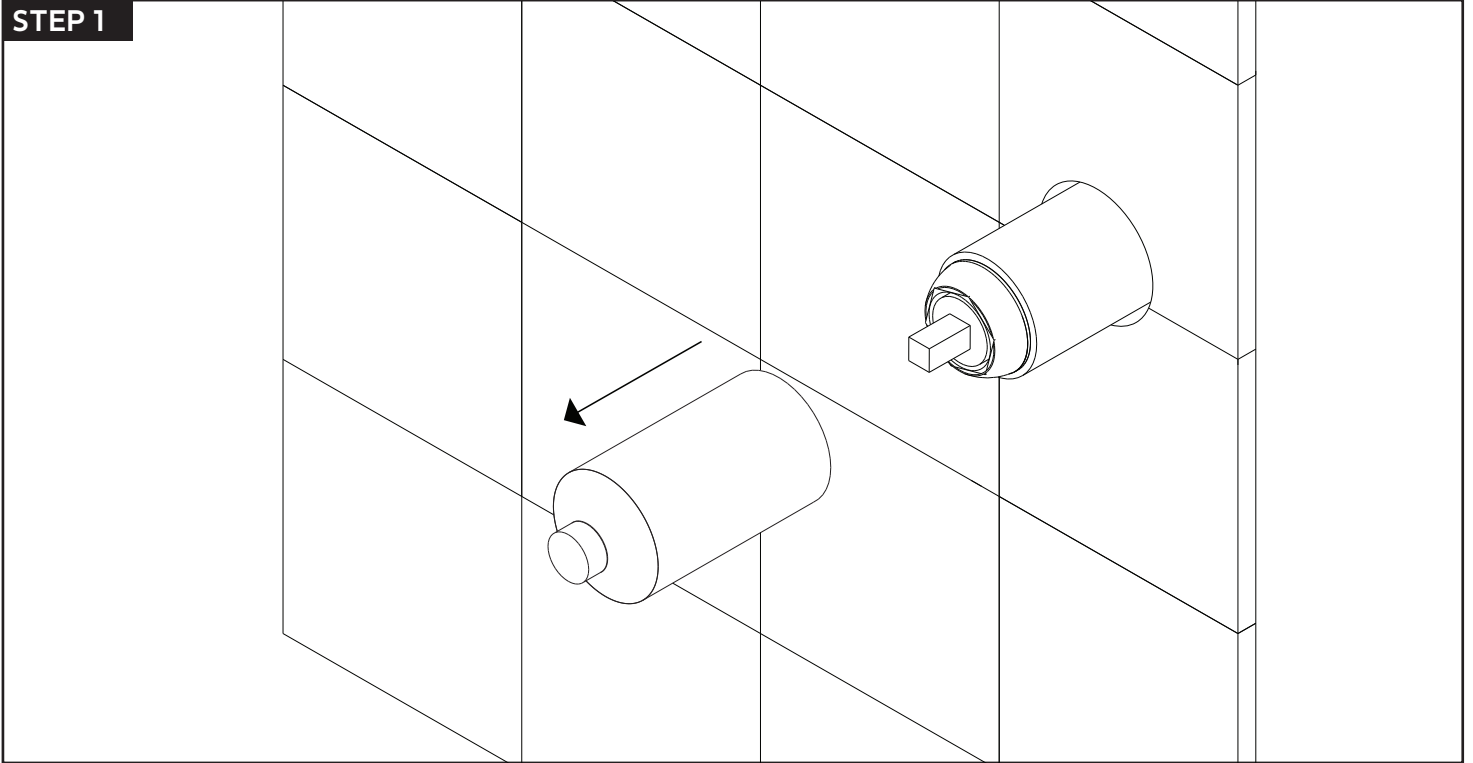


# artos<sup>®</sup>

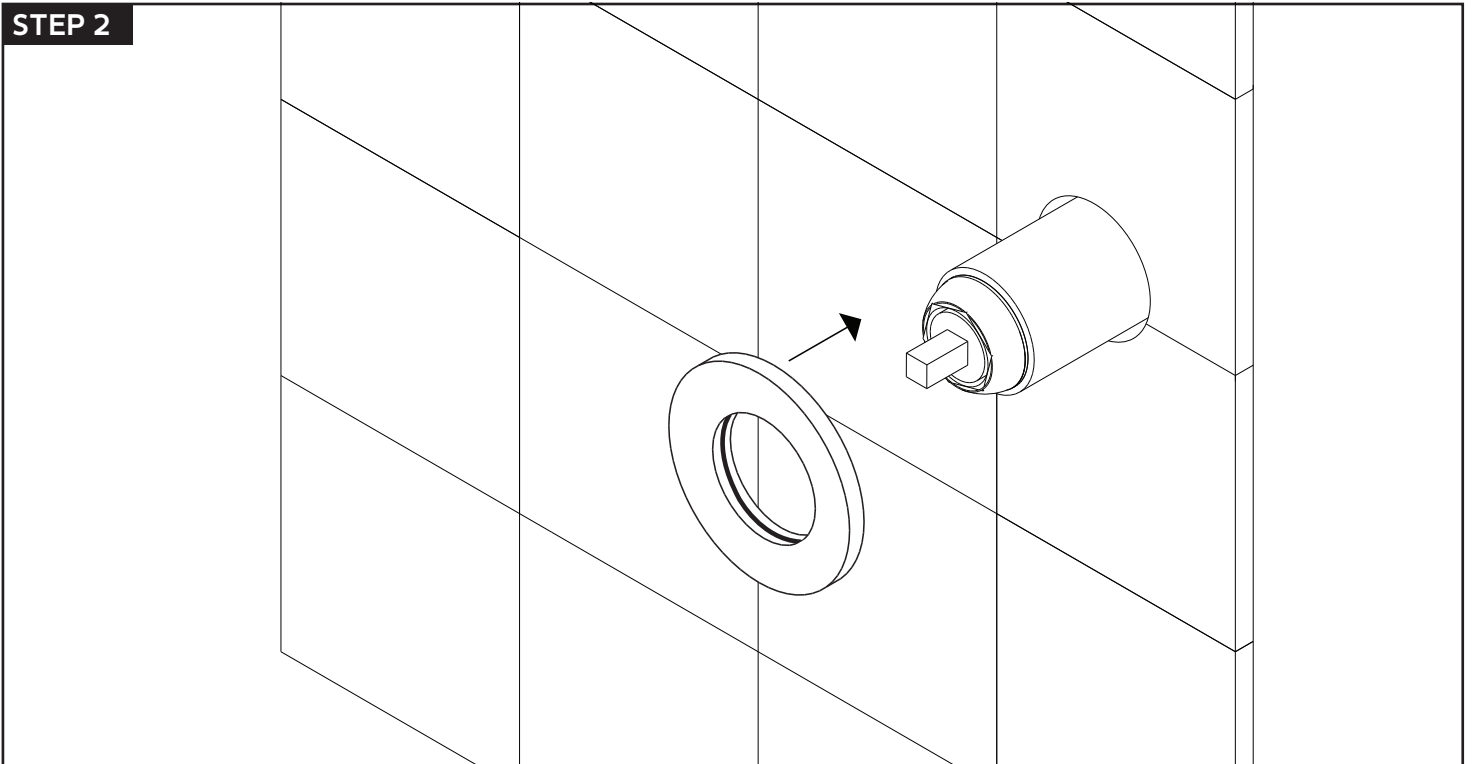
## F907-78

bidet shower kit

**STEP 1**



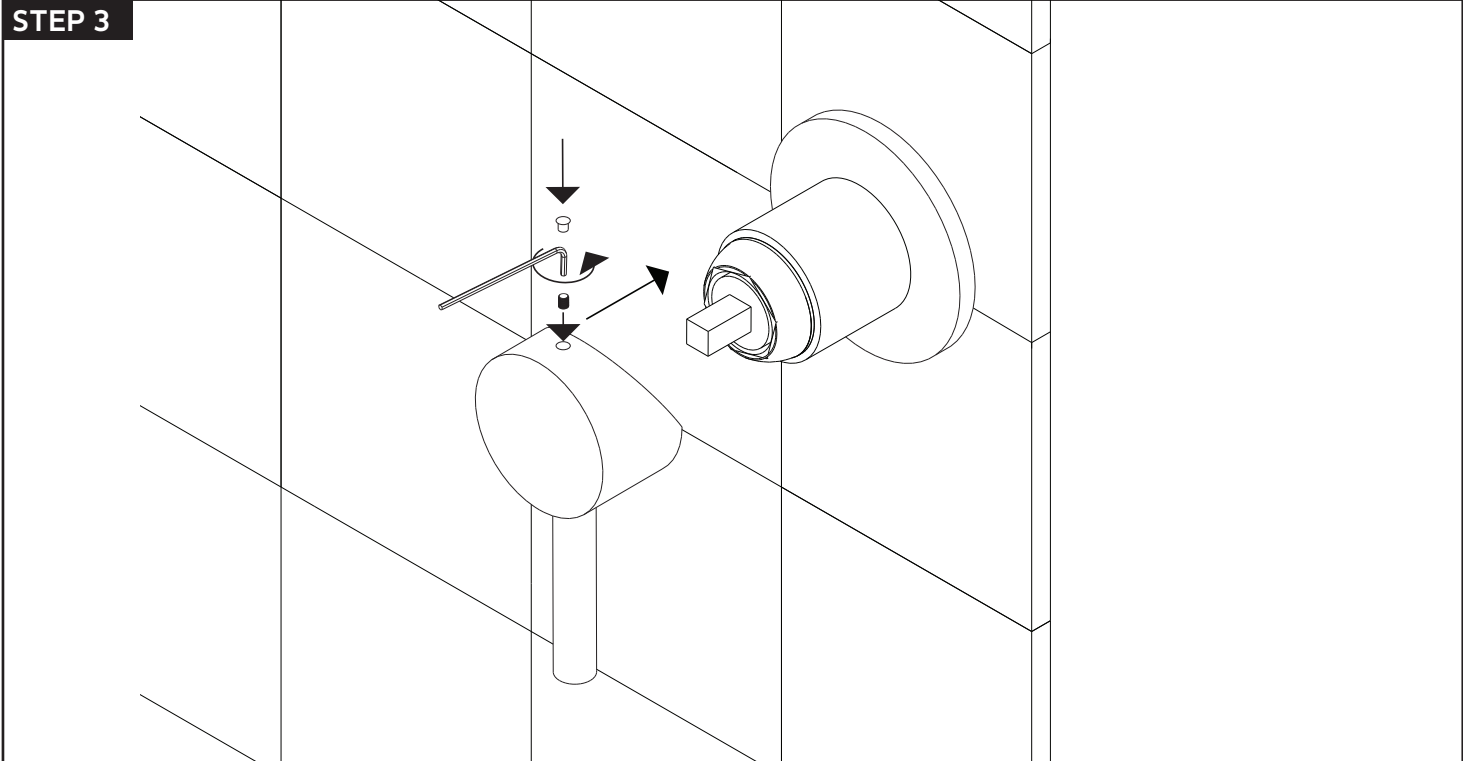
**STEP 2**



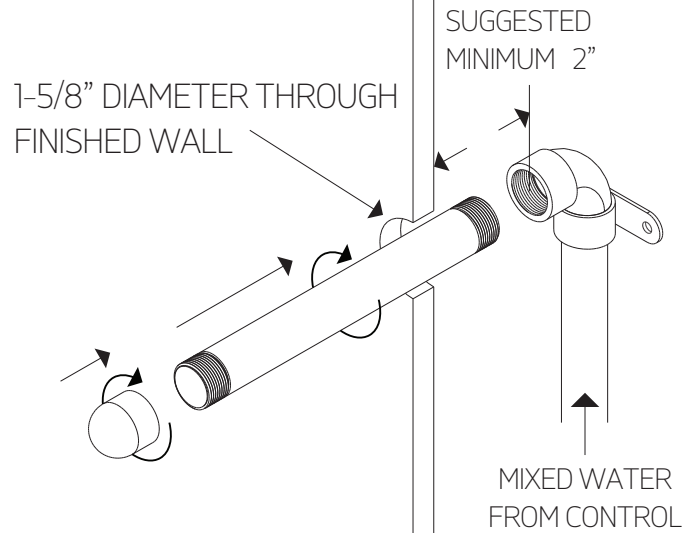
# INSTALLATION STEPS

for F903-12TK

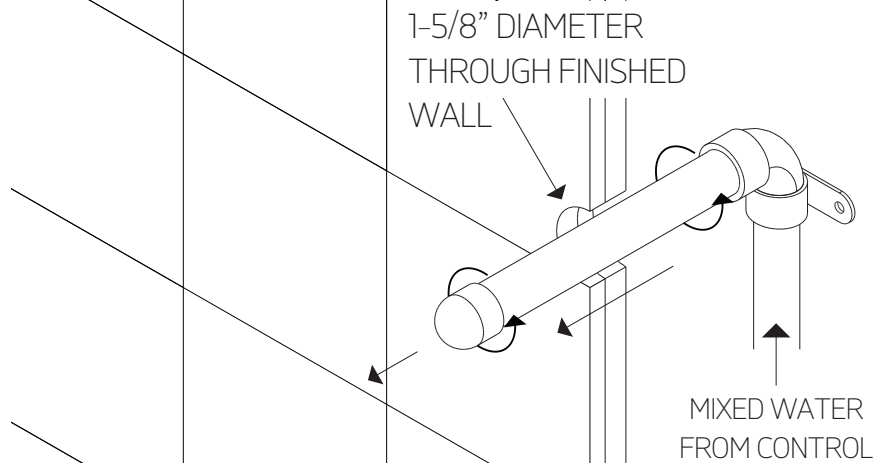
## STEP 3



### STEP 1



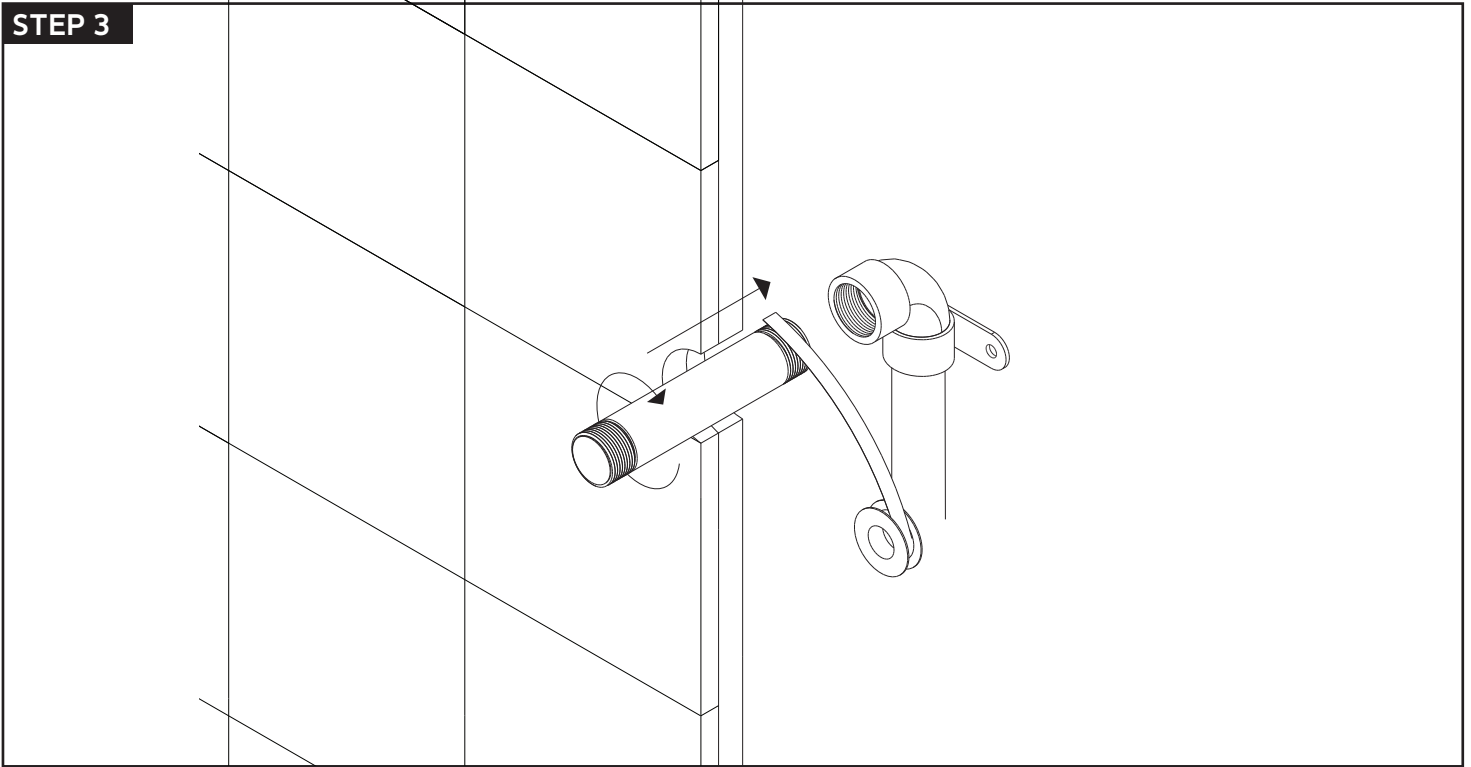
### STEP 2



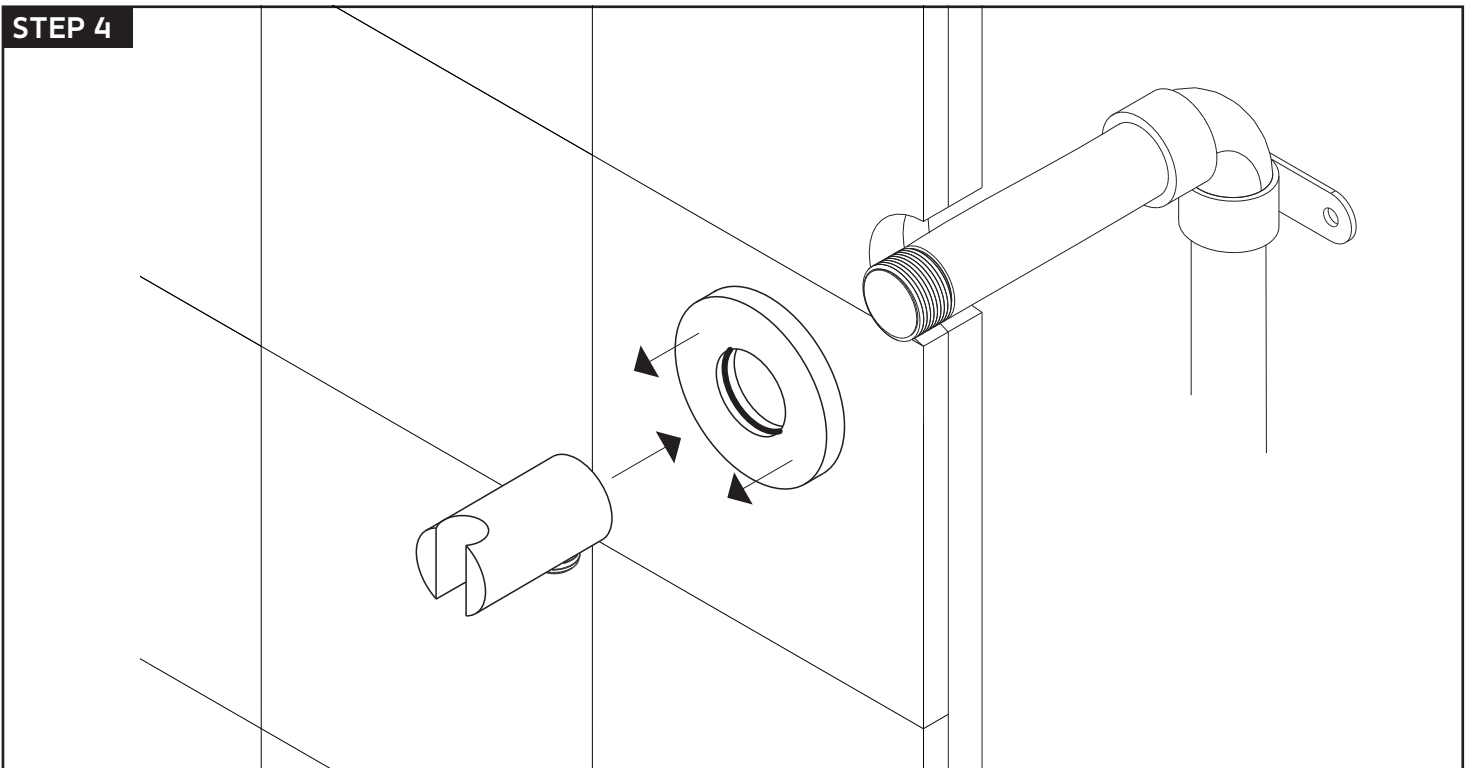
# INSTALLATION STEPS

for handshower

## STEP 3



## STEP 4

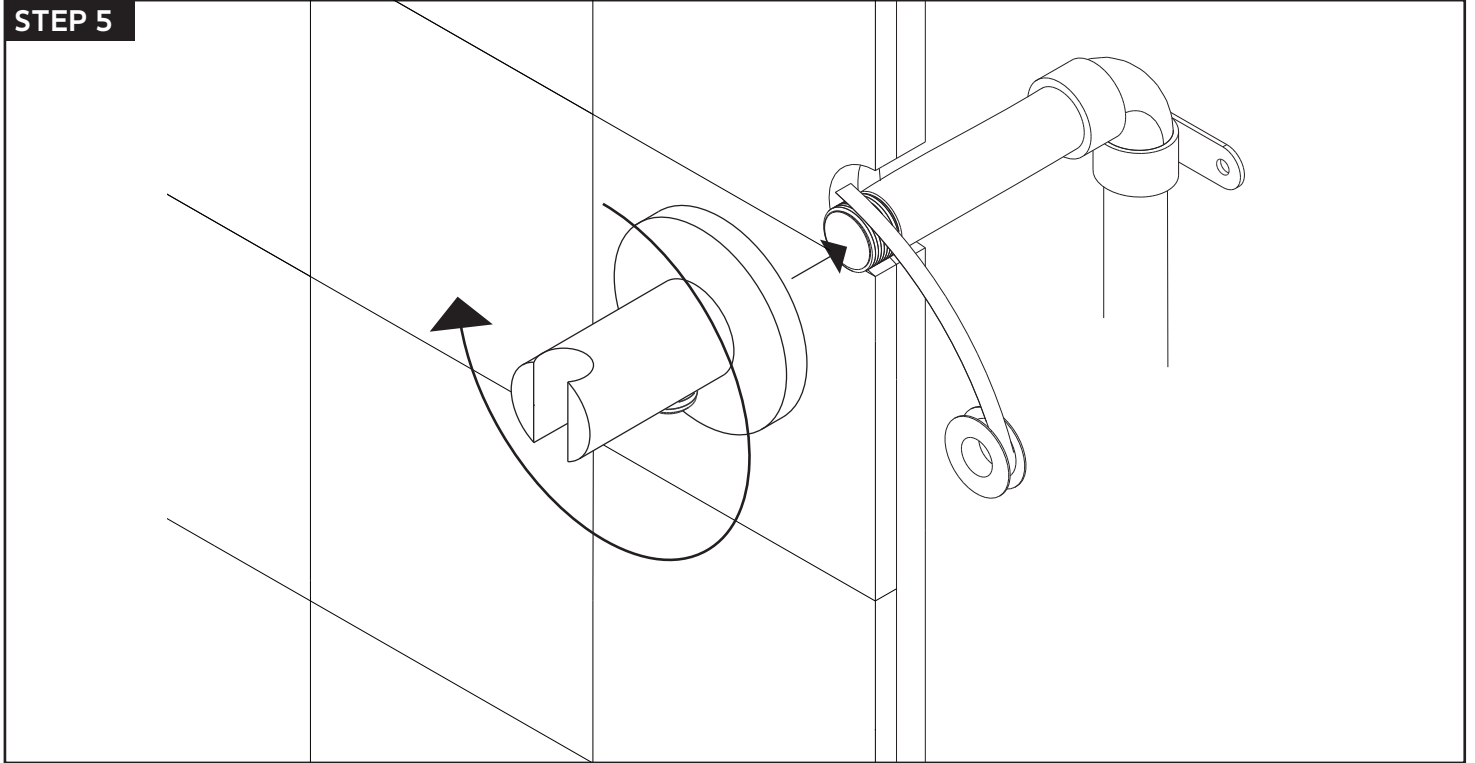


# artos<sup>®</sup>

## F907-78

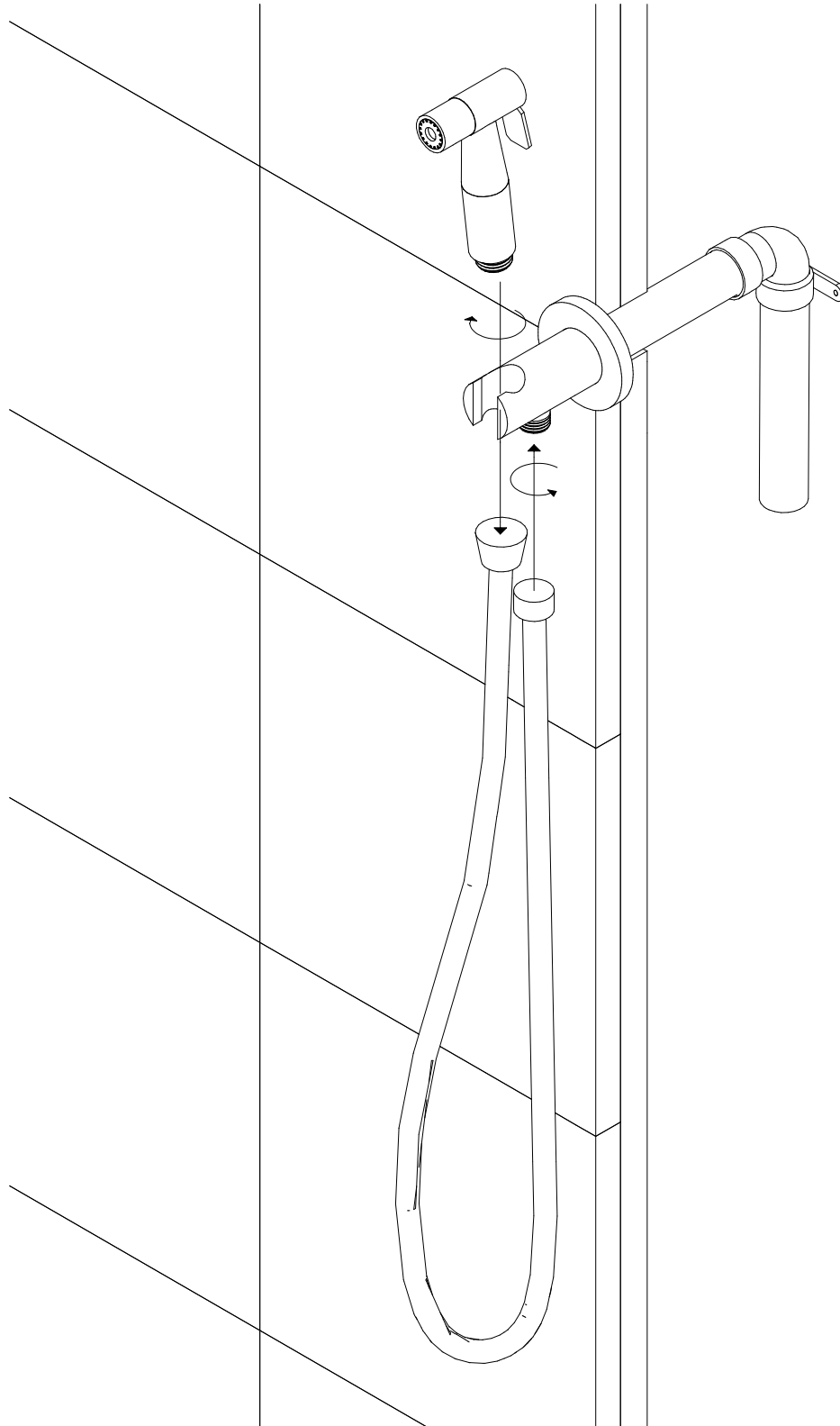
bidet shower kit

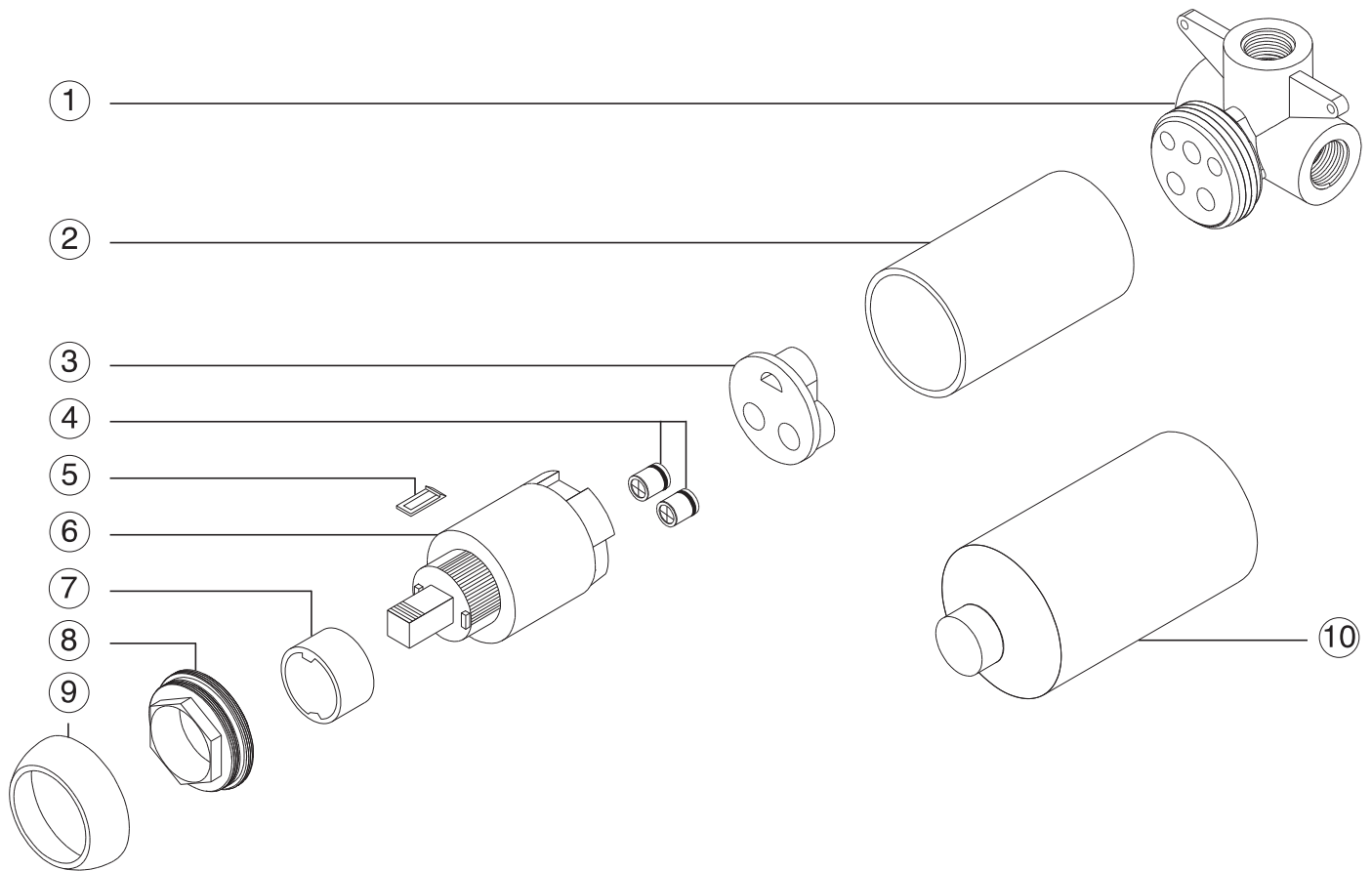
**STEP 5**



# INSTALLATION STEPS

for handshower





- ① VALVE BODY
- ② CARTRIDGE HOUSING
- ③ CHECK VALVE HOUSING
- ④ CHECK VALVES
- ⑤ HANDLE LOCATING CLIP
- ⑥ CARTRIDGE
- ⑦ TEMPERATURE LIMITING RING
- ⑧ CARTRIDGE NUT
- ⑨ DRESS RING
- ⑩ PLASTER GUARD

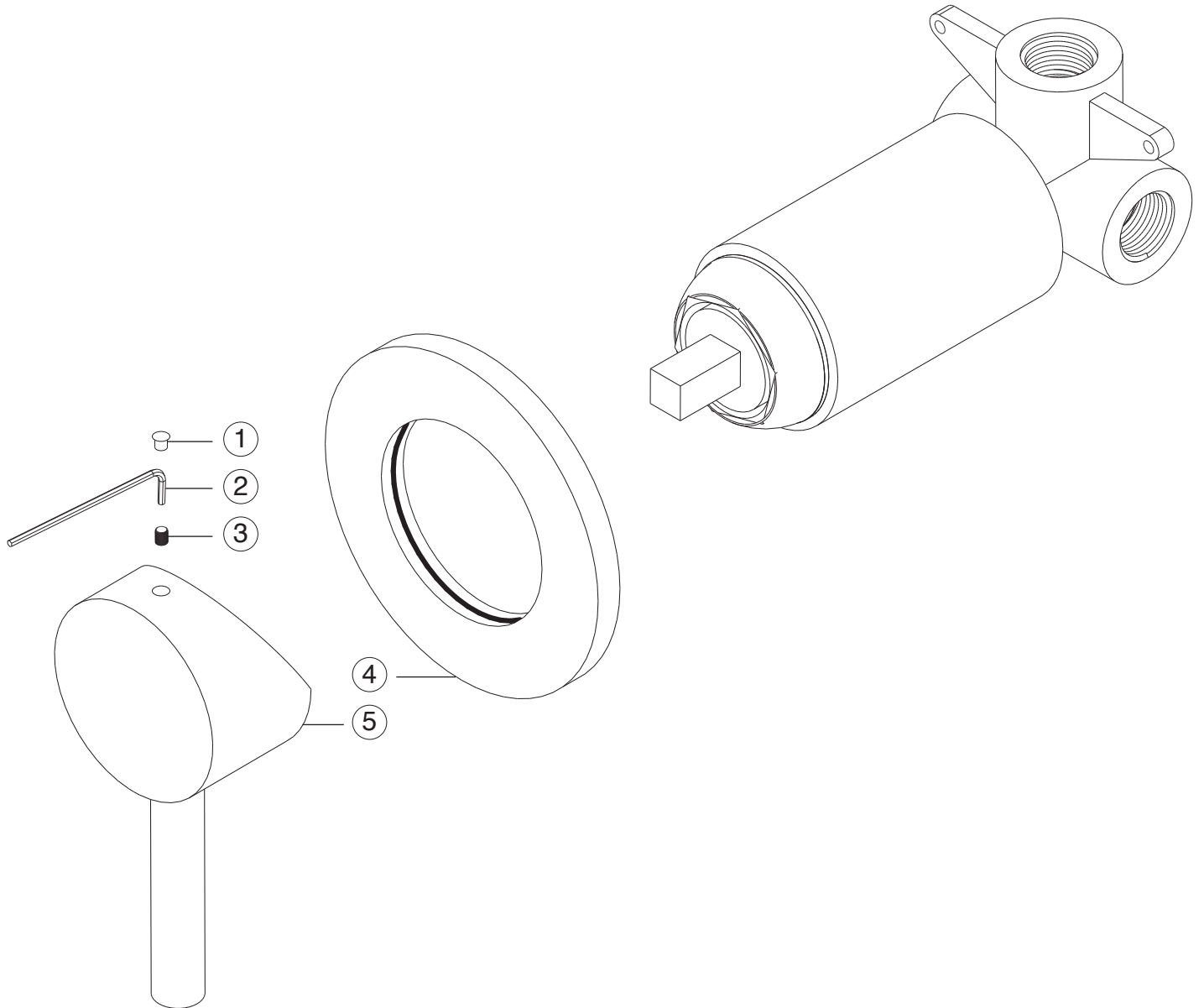
# artos<sup>®</sup>

F907-78

bidet shower kit

## PARTS BREAKDOWN

for F903-12TK



- ① SET SREW CAP
- ② ALLEN WRENCH
- ③ SET SCREW
- ④ ESCUTCHEON
- ⑤ PRESSURE BALANCE HANDLE

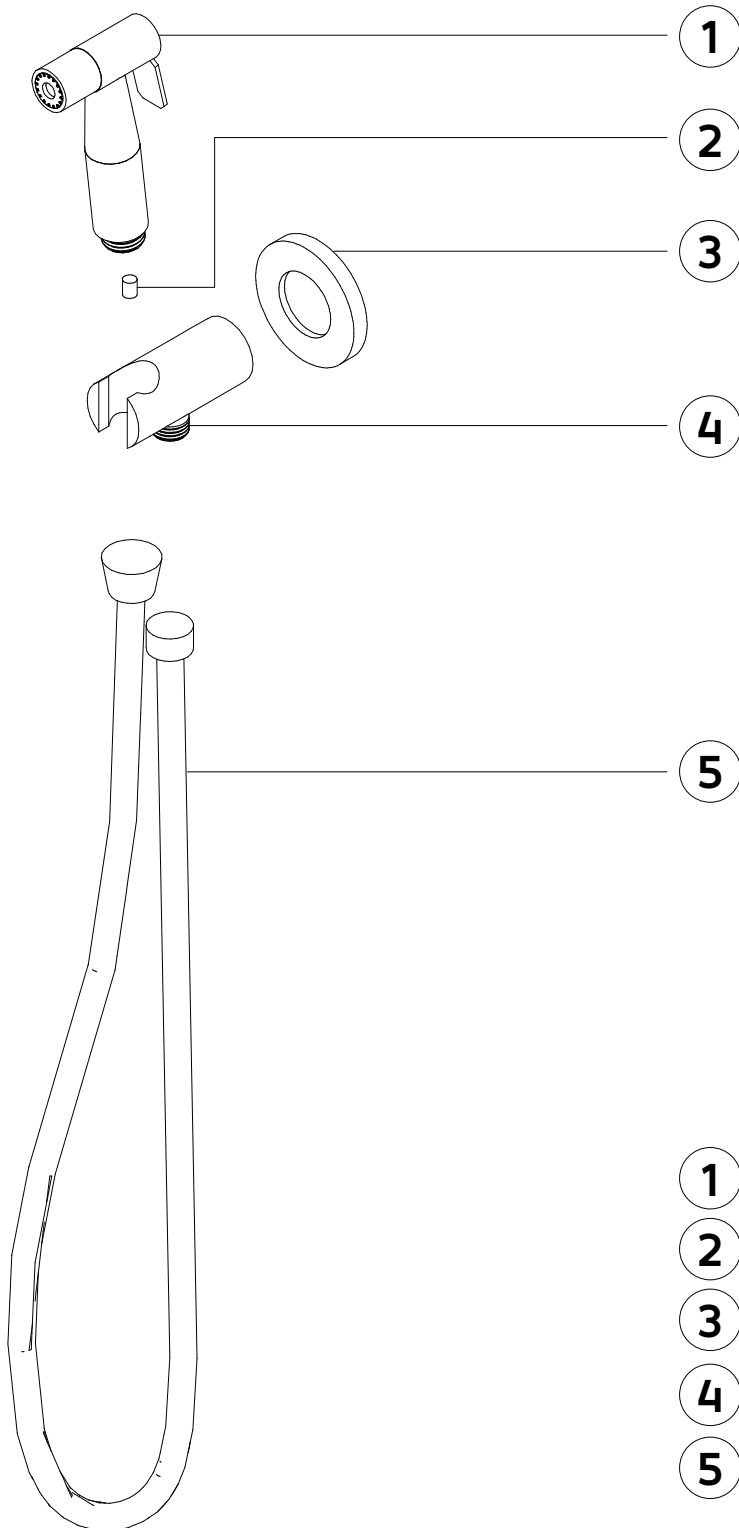
# artos<sup>®</sup>

F907-78

bidet shower kit

## PARTS BREAKDOWN

for handshower



- ① HAND SHOWER
- ② HAND SHOWER CHECK VALVE
- ③ ESCUTCHEON PLATE
- ④ SHOWER OUTLET ELBOW AND HOLDER
- ⑤ SHOWER HOSE