

artos[®]

F907-74

INSTRUCTION MANUAL

6" shower rainhead
wall mount, angled
arm, rnd

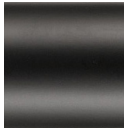
BRUSHED NICKEL(BN)



CHROME(CH)



BLACK(BK)

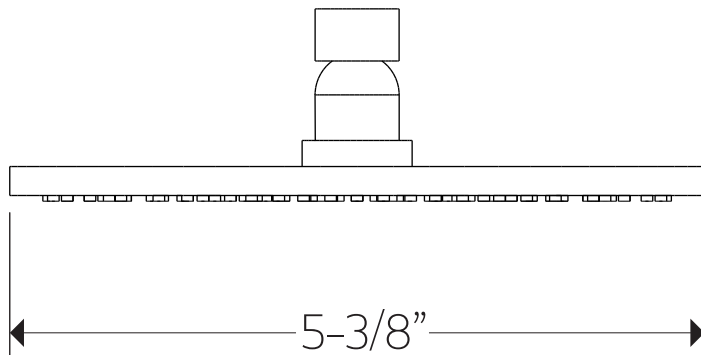


artos[®]

F907-74

INSTRUCTION MANUAL

6" shower rainhead
wall mount, angled
arm, rnd



FEATURES

Solid Brass

OPERATING PRESSURE

Minimum: 15 psi

Maximum: 75 psi

Above 90psi it may be necessary to install a pressure reducer

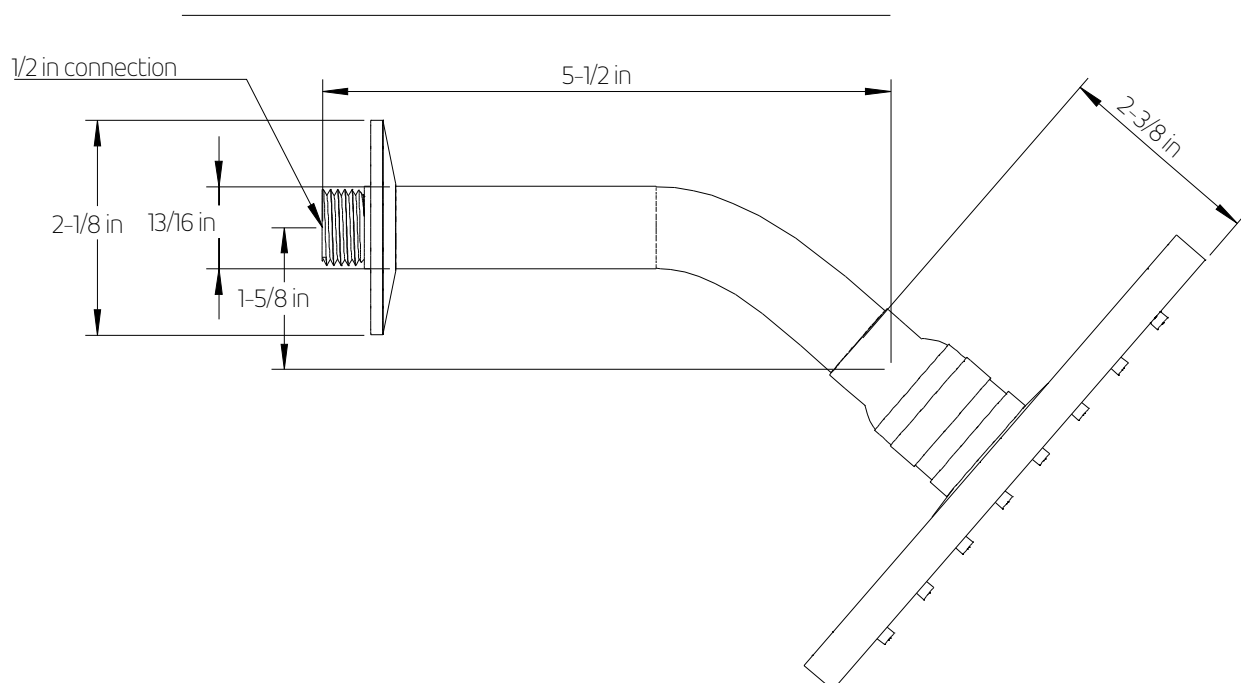
OPERATING TEMPERATURE

Maximum: 176°

FLOW RATE

1.8 USGPM

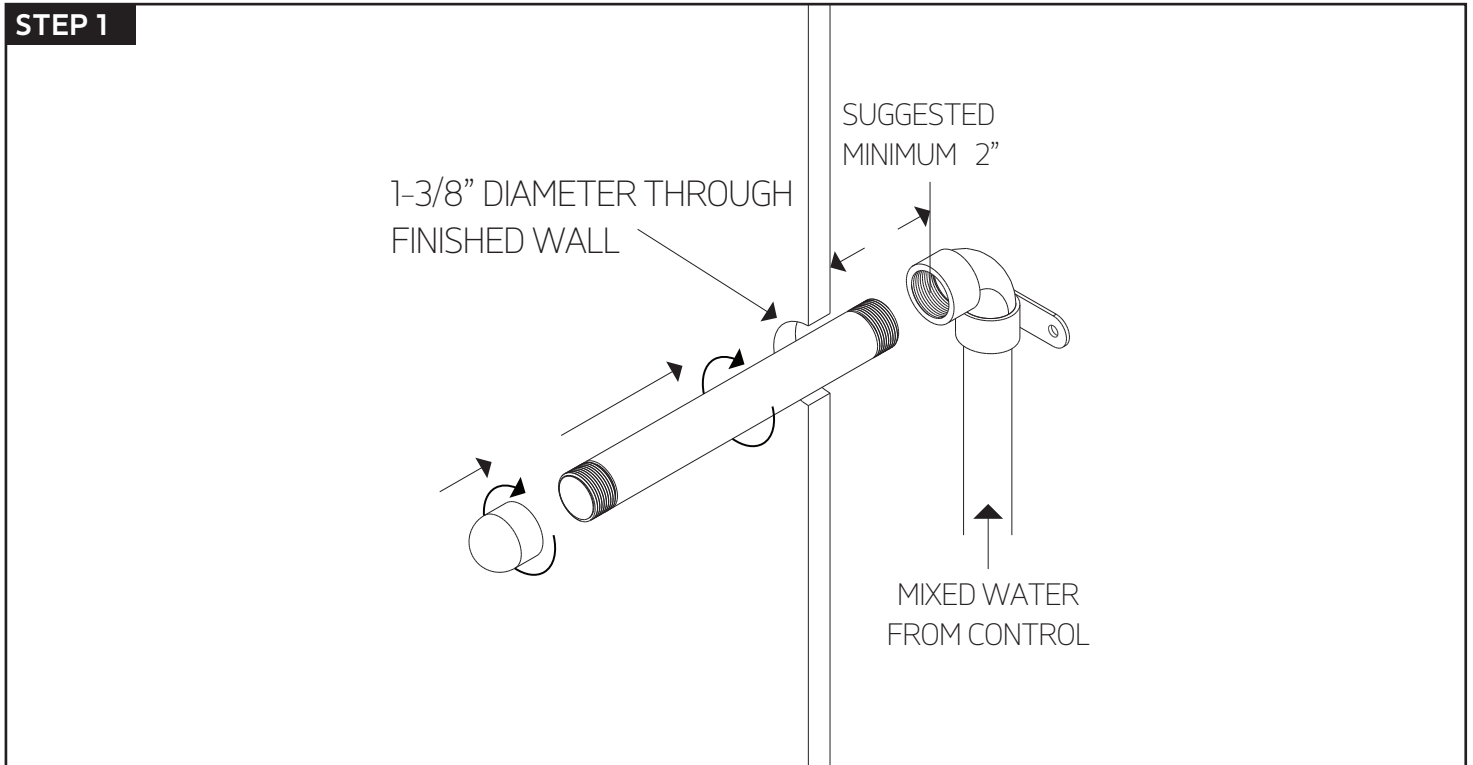
APPROVALS



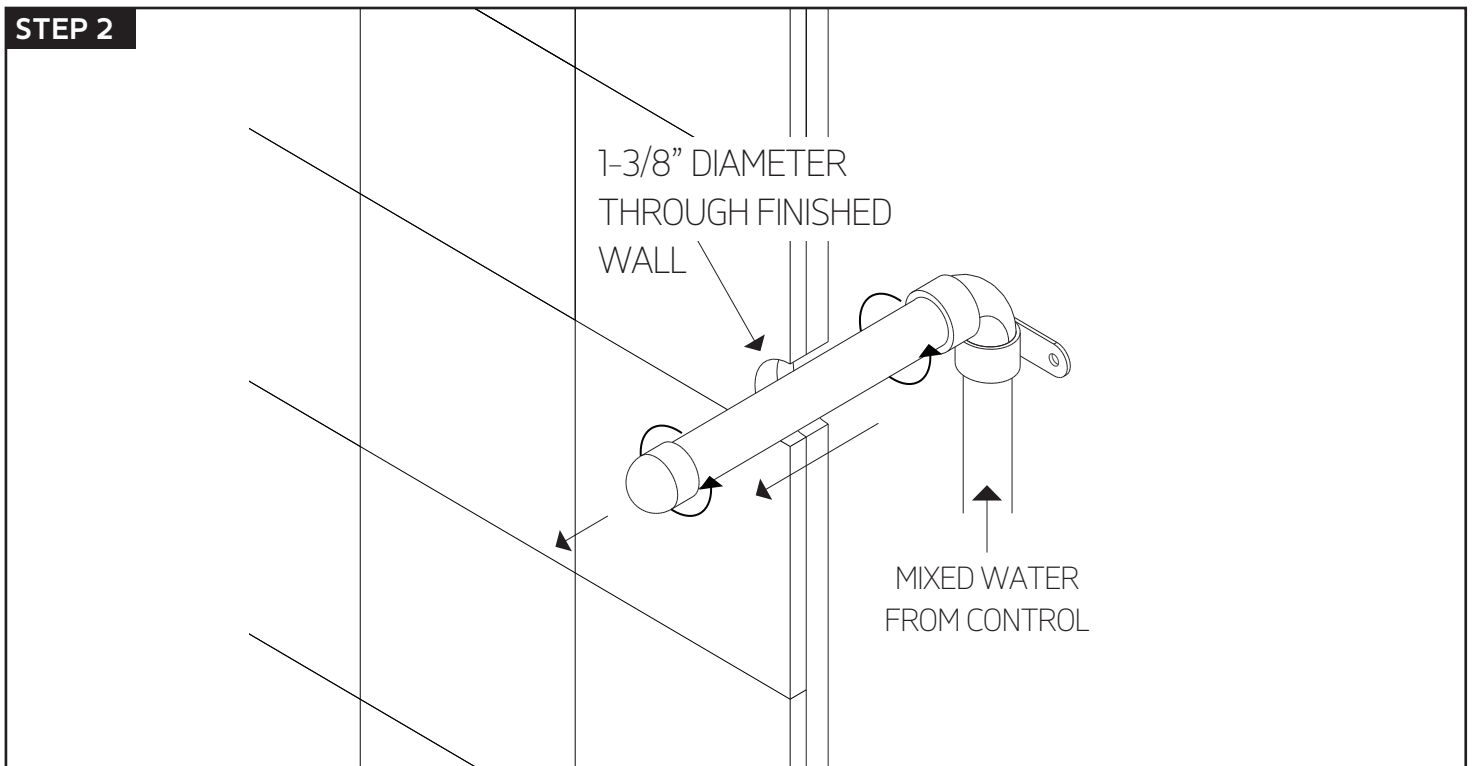
F907-74

6" shower rainhead
wall mount, angled
arm, rnd

STEP 1



STEP 2

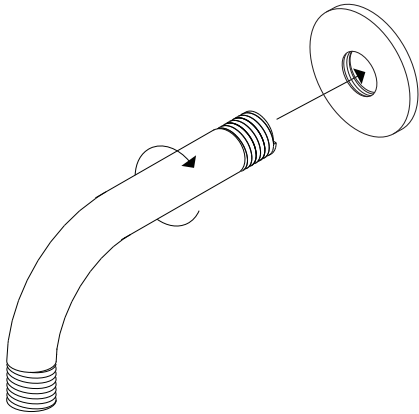


artos[®]

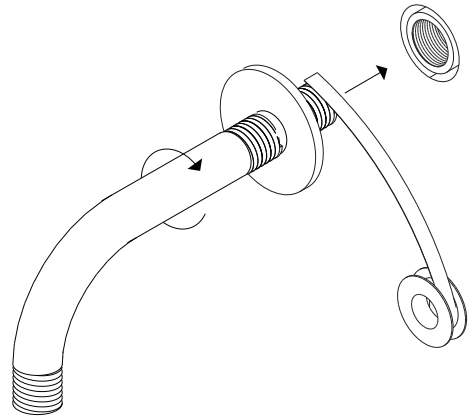
F907-74

6" shower rainhead
wall mount, angled
arm, rnd

STEP 5

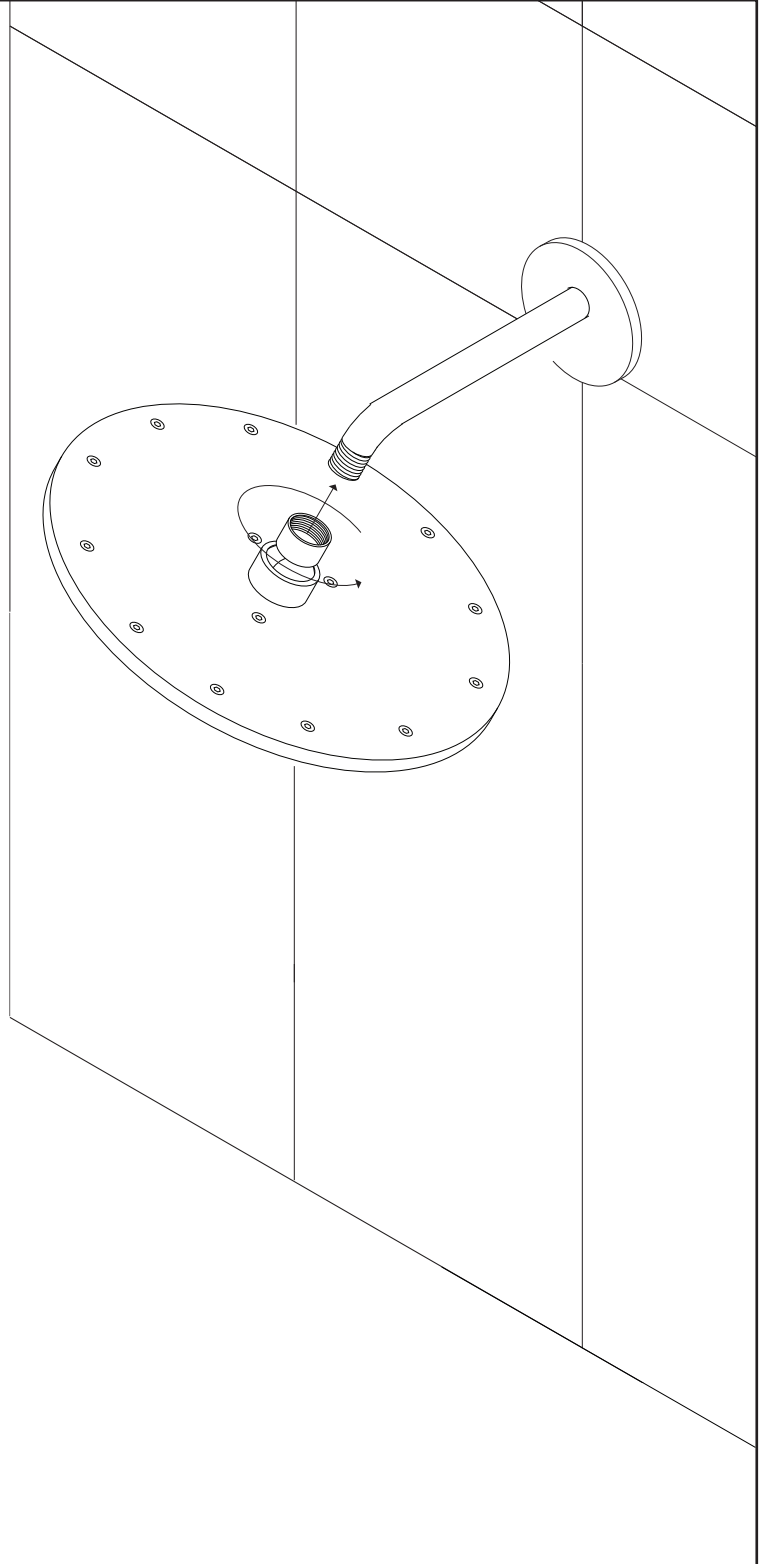


STEP 6



INSTALLATION STEPS

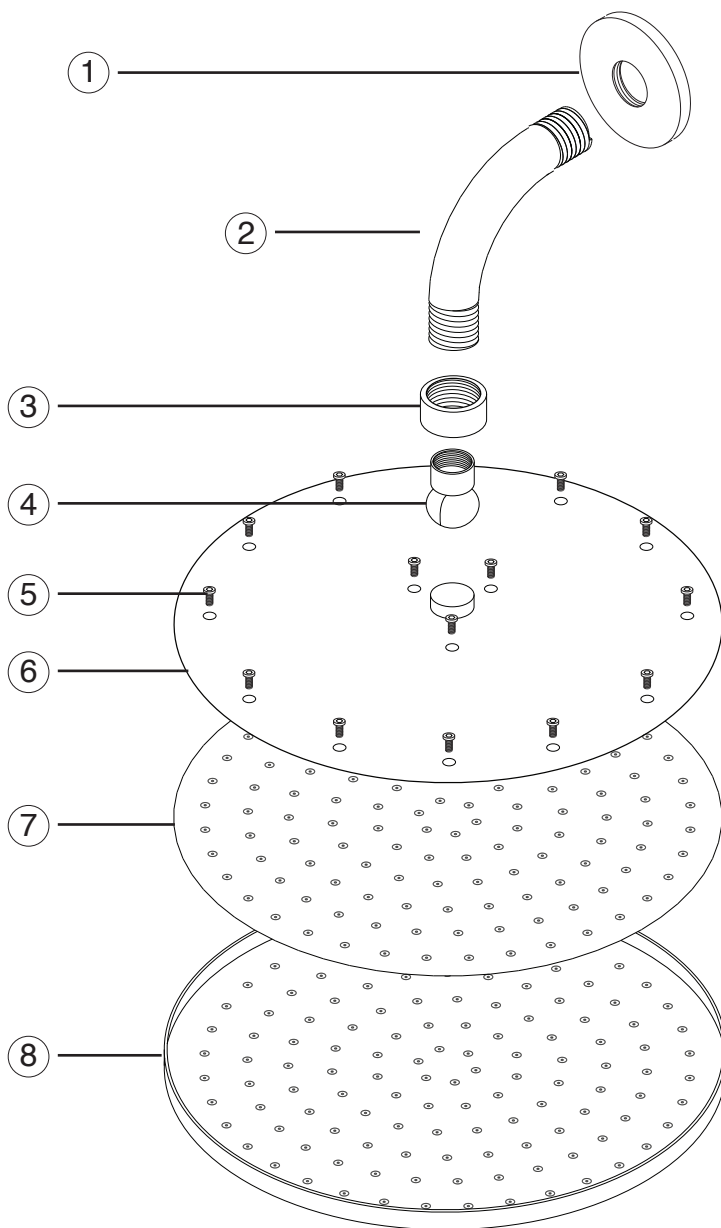
STEP 7



artos[®]

F907-74

6" shower rainhead
wall mount, angled
arm, rnd



- ① ESCUTCHEON PLATE
- ② SHOWER ARM
- ③ SWIVEL ARM SECURING NUT
- ④ SWIVEL ARM
- ⑤ SHOWER HEAD SCREWS
- ⑥ SHOWER HEAD TOP
- ⑦ RUBBER MATRI
- ⑧ SHOWER HEAD BOTTOM