

artos[®]

F907-5

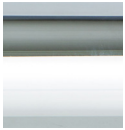
INSTALLATION GUIDE

flexible hose shower kit with
integrated water outlet

BRUSHED NICKEL(BN)



CHROME(CH)



BLACK (BK)



SATIN BRASS (SB)



artos[®]

F907-5

OPERATING SPECIFICATIONS

flexible hose shower kit with
integrated water outlet
round



FEATURES

Integrated Water Outlet
60" Flexible Hose

OPERATING PRESSURE

Minimum: 15 psi
Maximum: 75 psi
Above 90psi it may be necessary to install a pressure reducer

OPERATING TEMPERATURE

Maximum: 176°

FLOW CAPACITY

1.8 USGPM

INLET/OUTLET

1/2" Female NPT*

REQUIREMENTS

This unit requires a control

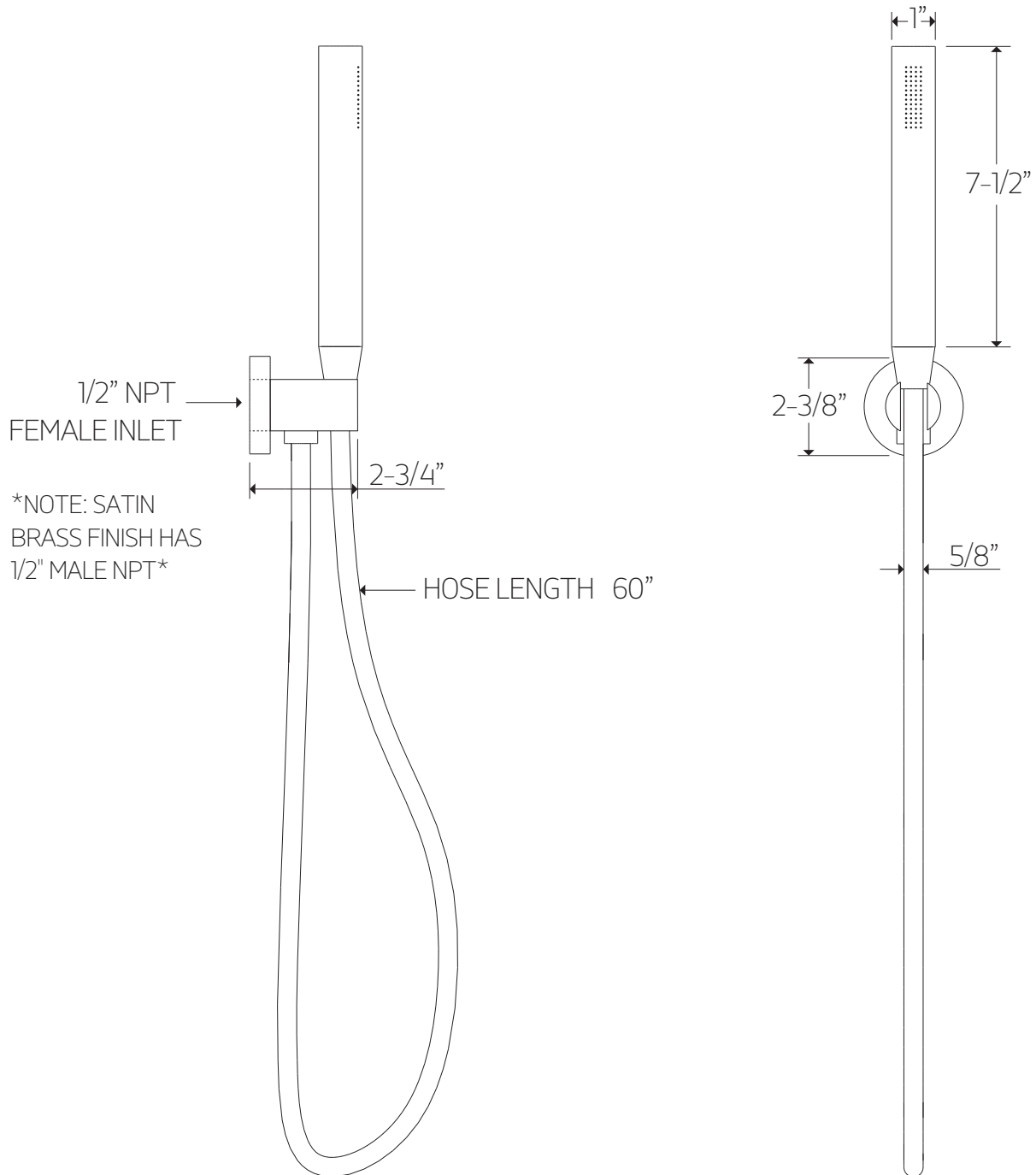
*Satin Brass finish has 1/2" Male NPT

artos[®]

F907-5

PRODUCT DIMENSIONS

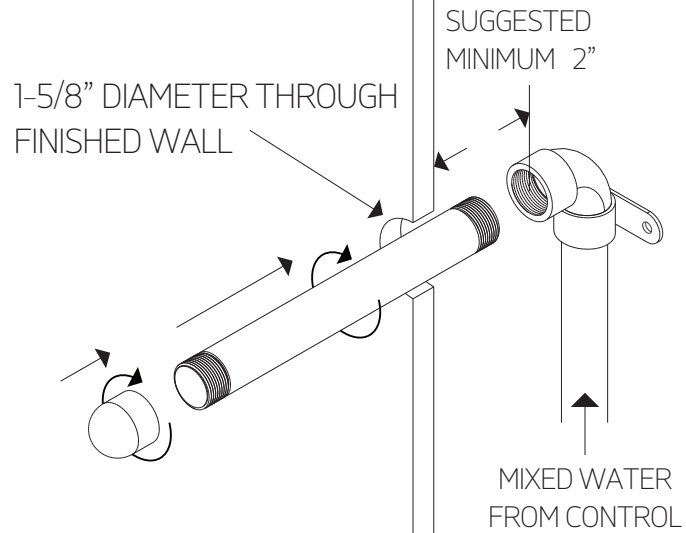
flexible hose shower kit with
integrated water outlet
round



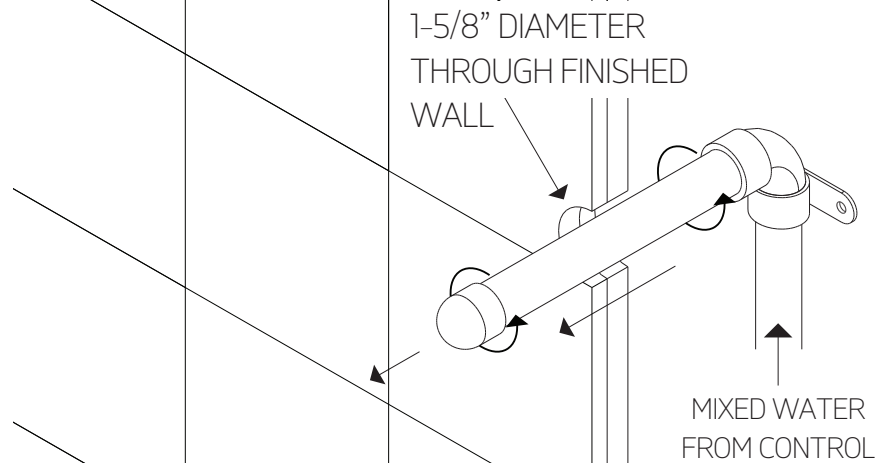
F907-5

flexible hose shower kit with
integrated water outlet
round

STEP 1

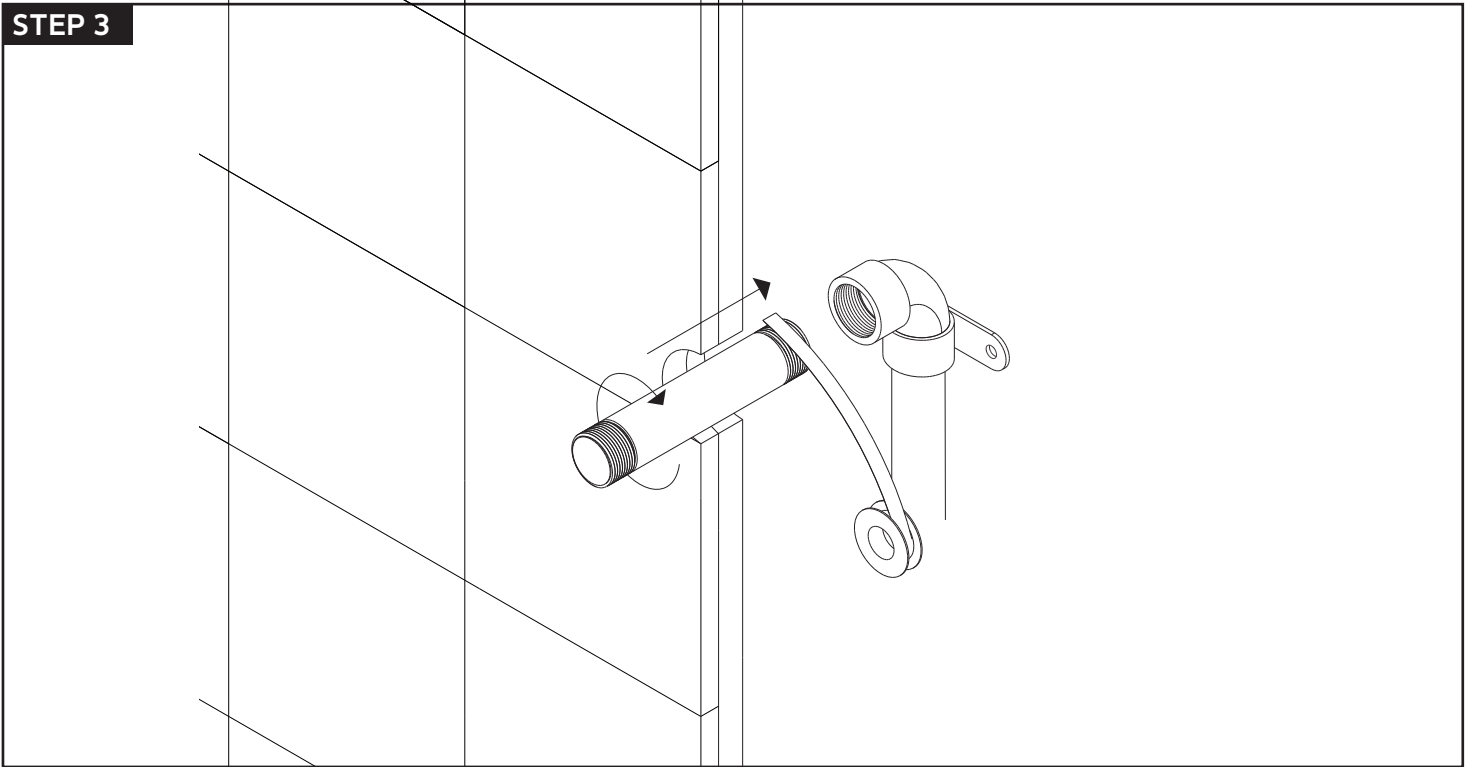


STEP 2

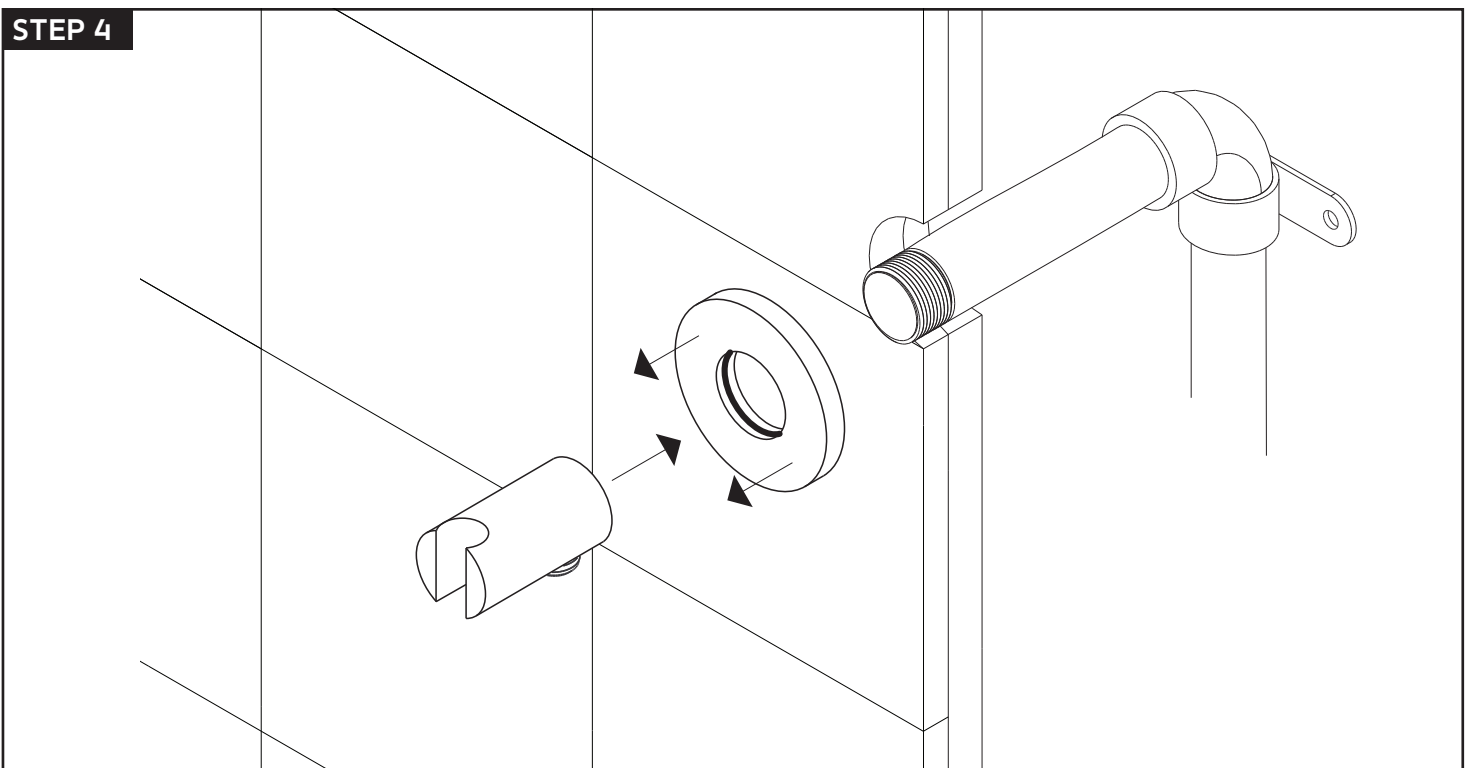


INSTALLATION STEPS

STEP 3



STEP 4

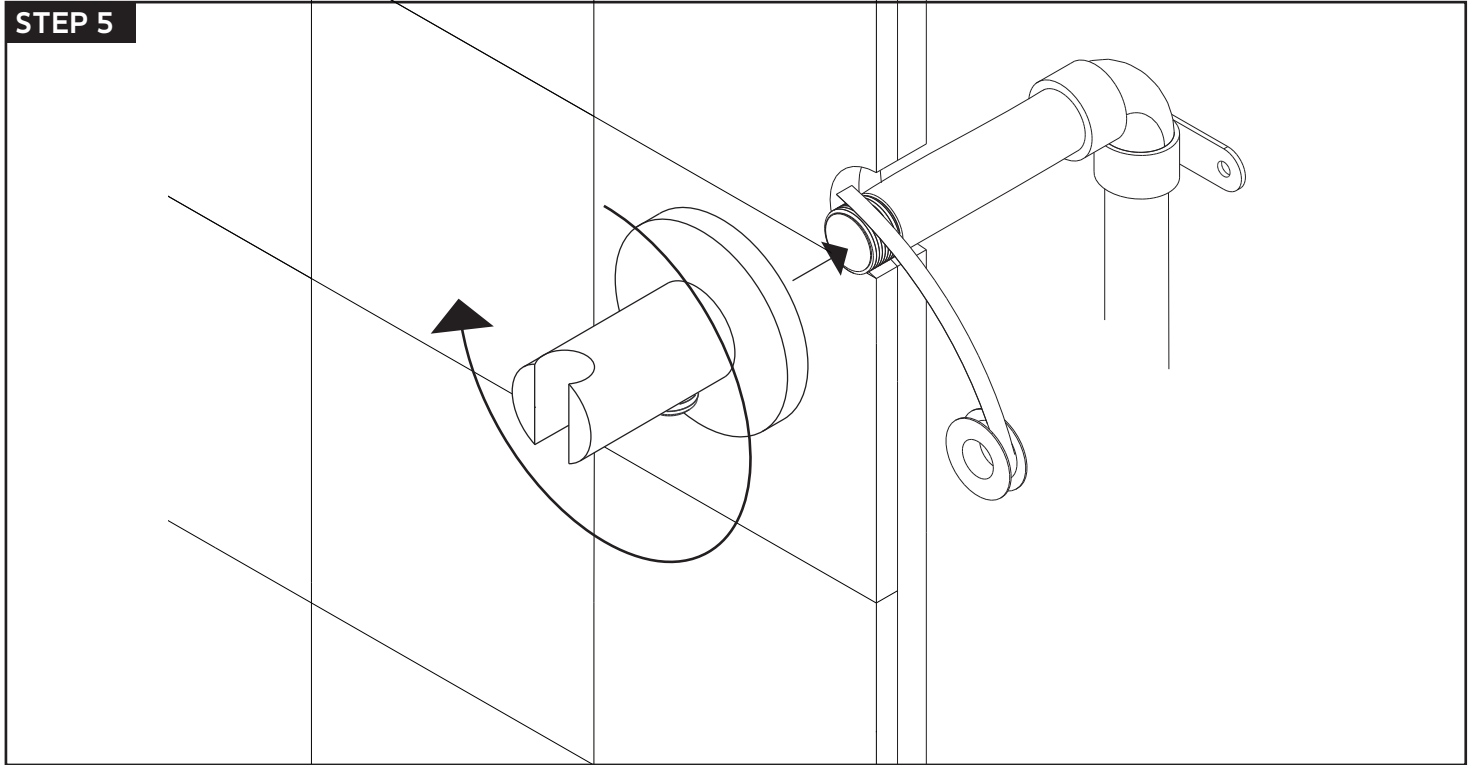


artos[®]

F907-5

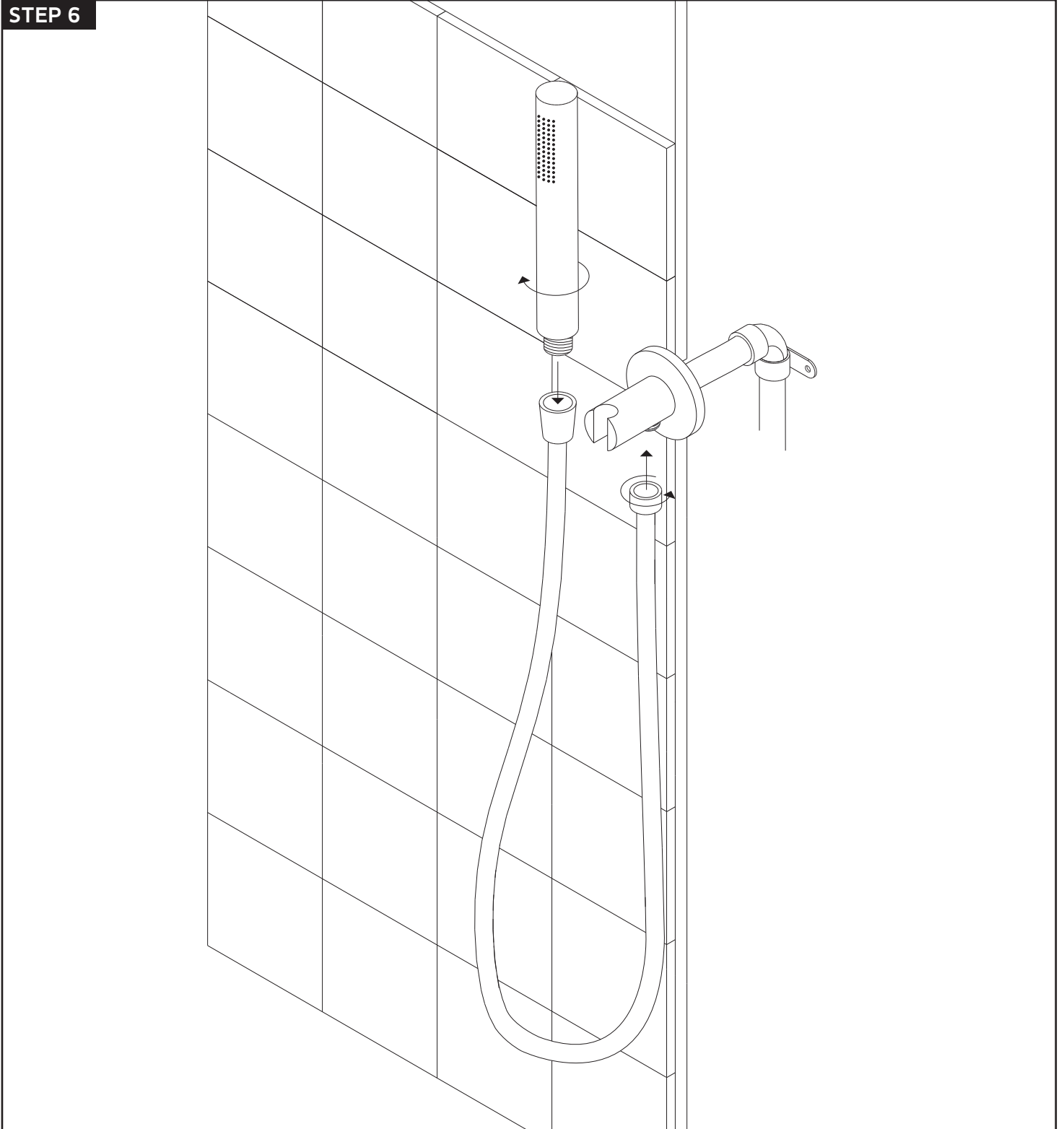
flexible hose shower kit with
integrated water outlet
round

STEP 5



INSTALLATION STEPS

STEP 6

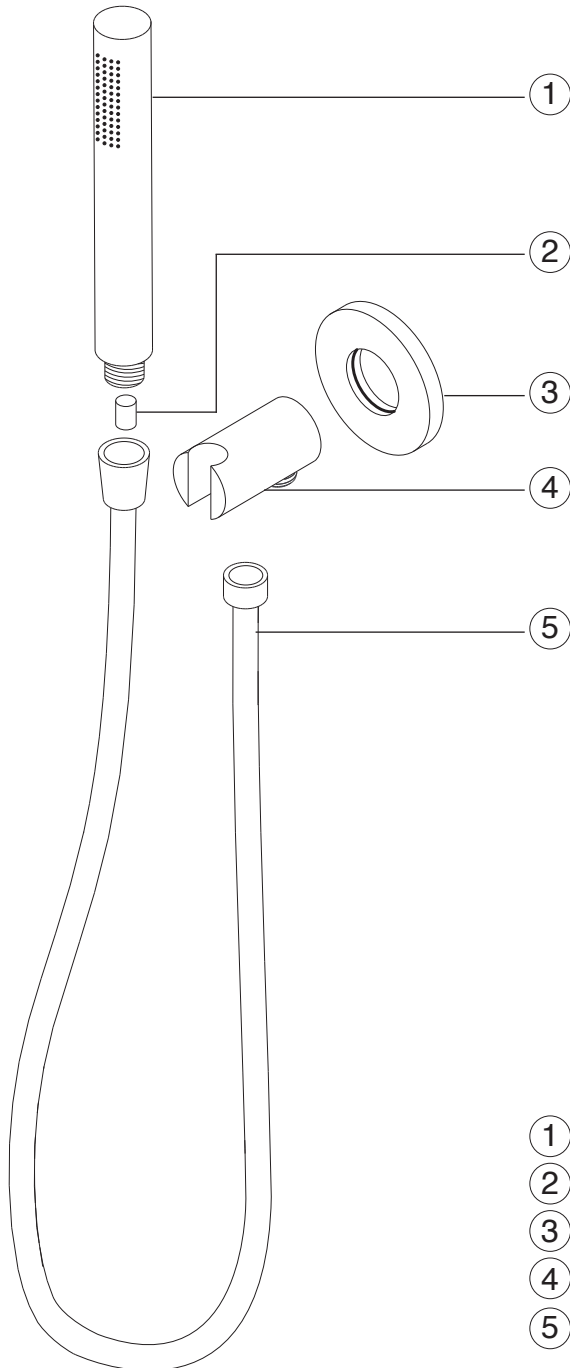


artos[®]

F907-5

PARTS BREAKDOWN

flexible hose shower kit with
integrated water outlet
round



- ① HAND SHOWER
- ② HAND SHOWER CHECK VALVE
- ③ ESCUTCHEON PLATE
- ④ SHOWER OUTLET ELBOW AND HOLDER
- ⑤ SHOWER HOSE