

artos[®]

F907-51

INSTALLATION GUIDE

10" shower rainhead ceiling
mount, 4.75" arm square

BRUSHED NICKEL(BN)



CHROME(CH)



BLACK (BK)



artos[®]

F907-51

OPERATING SPECIFICATIONS

10" shower rainhead
ceiling mount, 4.75" arm
square



FEATURES

Solid Brass

OPERATING PRESSURE

Minimum: 15 psi

Maximum: 75 psi

Above 90psi it may be necessary to install a pressure reducer

OPERATING TEMPERATURE

Maximum: 176°

FLOW CAPACITY

1.8 USGPM

APPROVAL

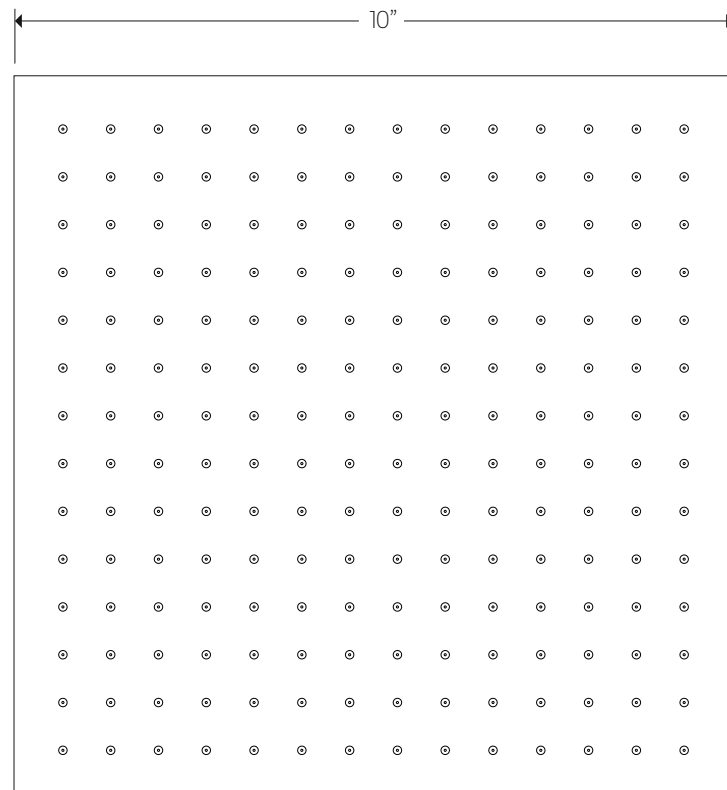
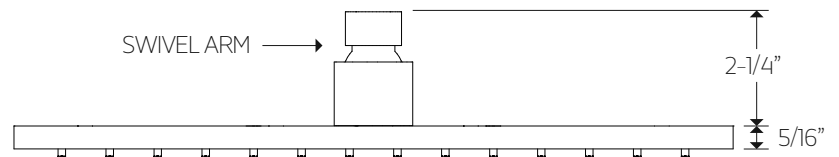
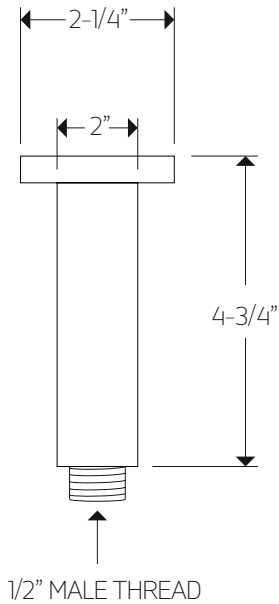


artos[®]

F907-51

PRODUCT DIMENSIONS

10" shower rainhead
ceiling mount, 4.75" arm
square

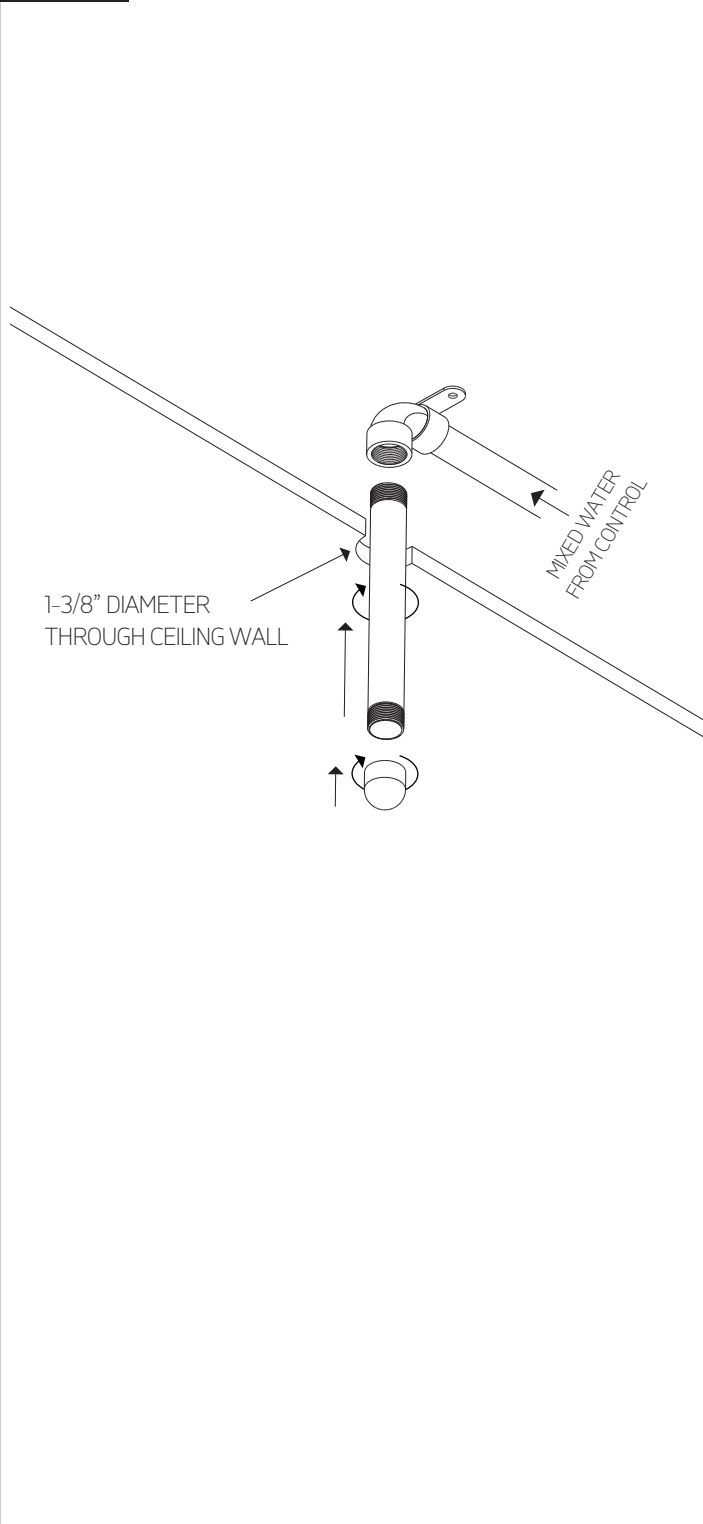


artos[®]

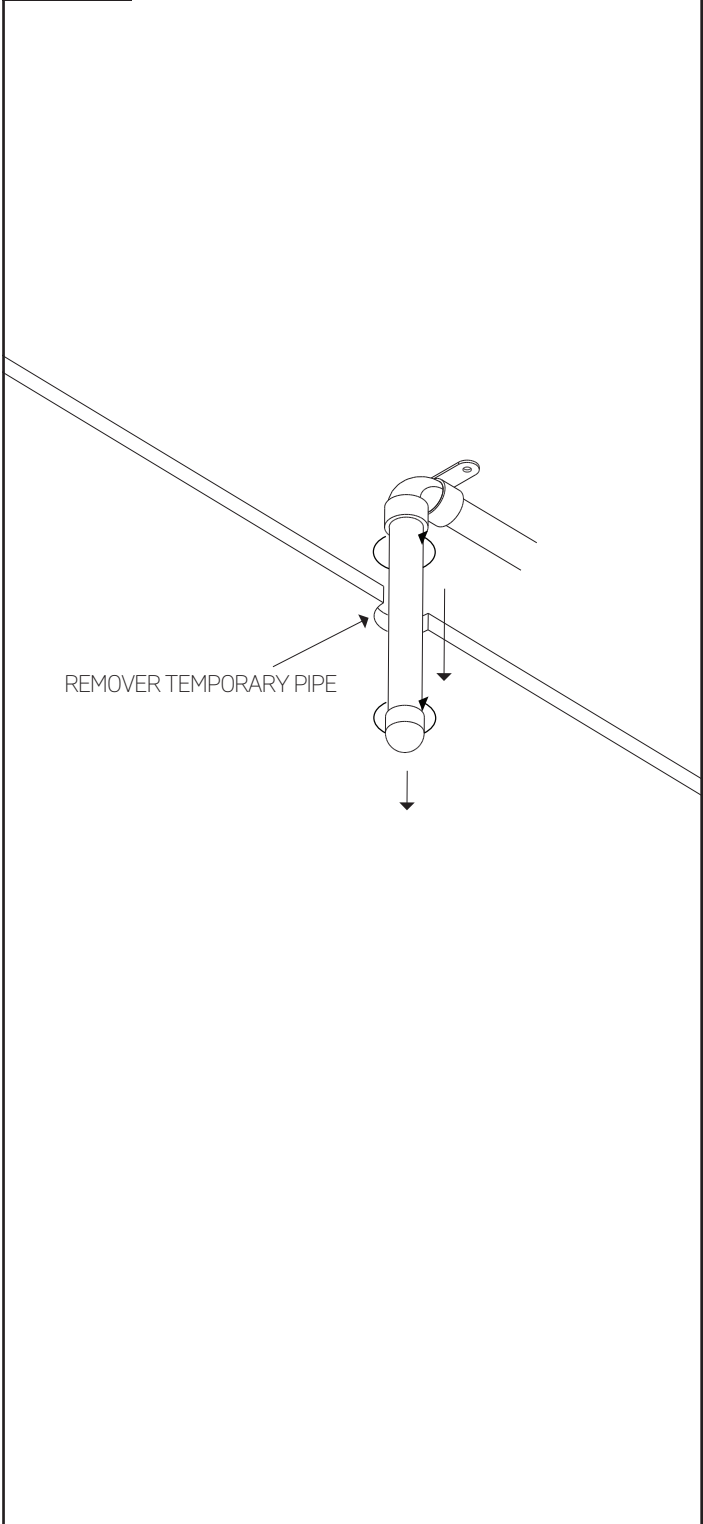
F907-51

10" shower rainhead
ceiling mount, 4.75" arm
square

STEP 1

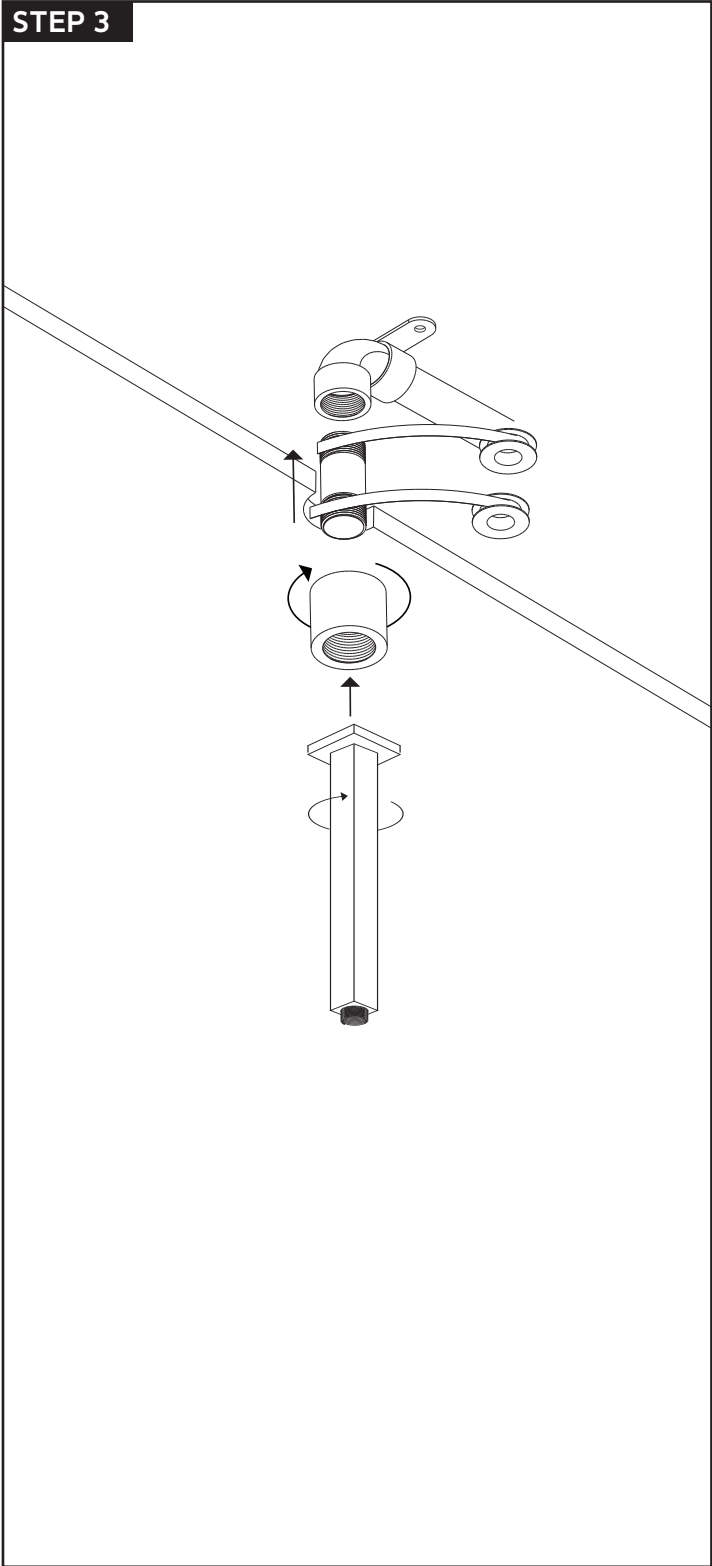


STEP 2

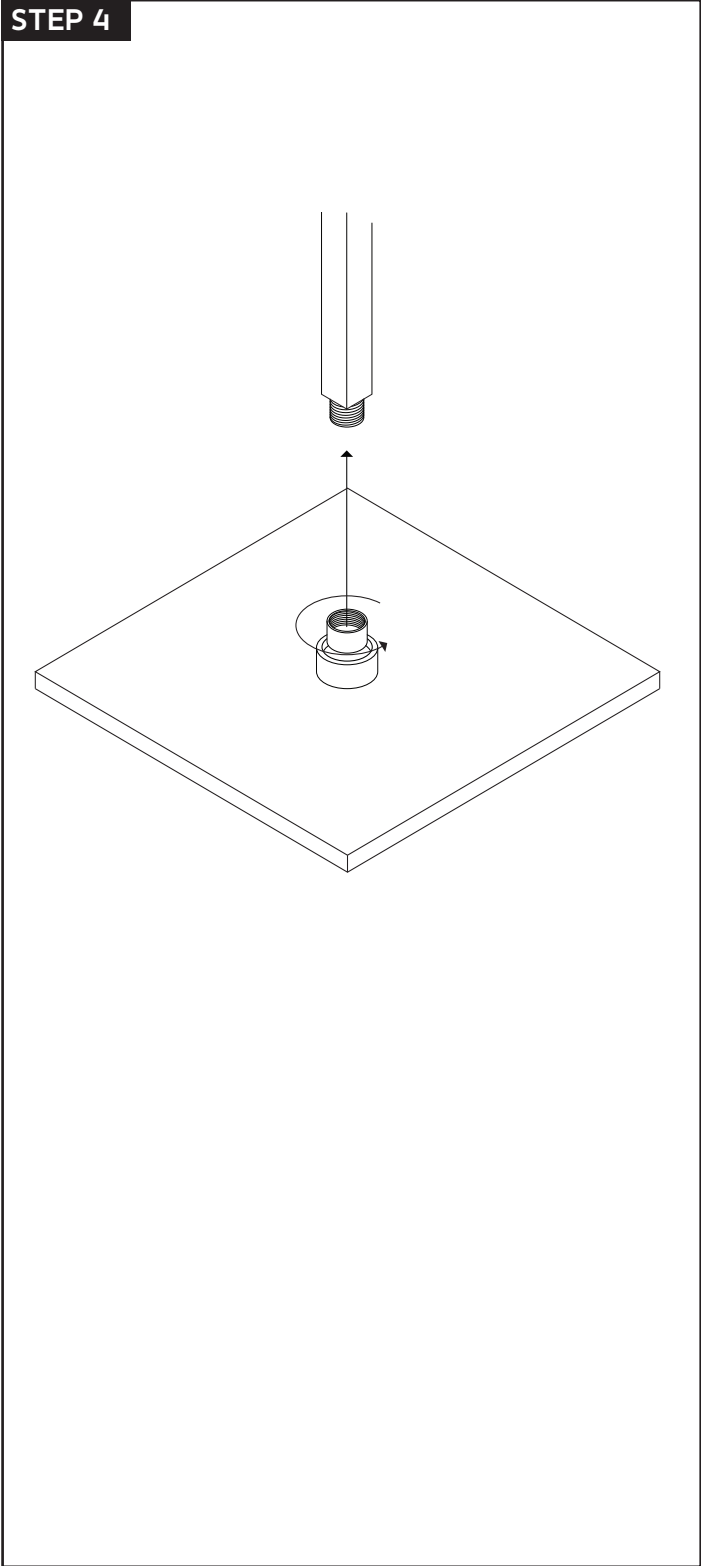


INSTALLATION STEPS

STEP 3



STEP 4



artos[®]

F907-51

PARTS BREAKDOWN

10" shower rainhead
ceiling mount, 4.75" arm
square

- ① SHOWER ARM
- ② SWIVEL ARM SECURING NUT
- ③ SWIVEL ARM
- ④ RAINHEAD

