

artos[®]

F907-50

INSTALLATION GUIDE

10" shower rainhead wall
mount arm

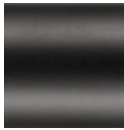
BRUSHED NICKEL(BN)



CHROME(CH)



BLACK(BK)



artos[®]

F907-50

OPERATING SPECIFICATIONS

10" shower rainhead wall
mount arm



FEATURES

Solid Brass

OPERATING PRESSURE

Minimum: 15 psi

Maximum: 75 psi

Above 90psi it may be necessary to install a pressure reducer

OPERATING TEMPERATURE

Maximum: 176°

INLET/OUTLET

1/2" Male NPT

FLOW RATE

1.8 USGPM

APPROVALS

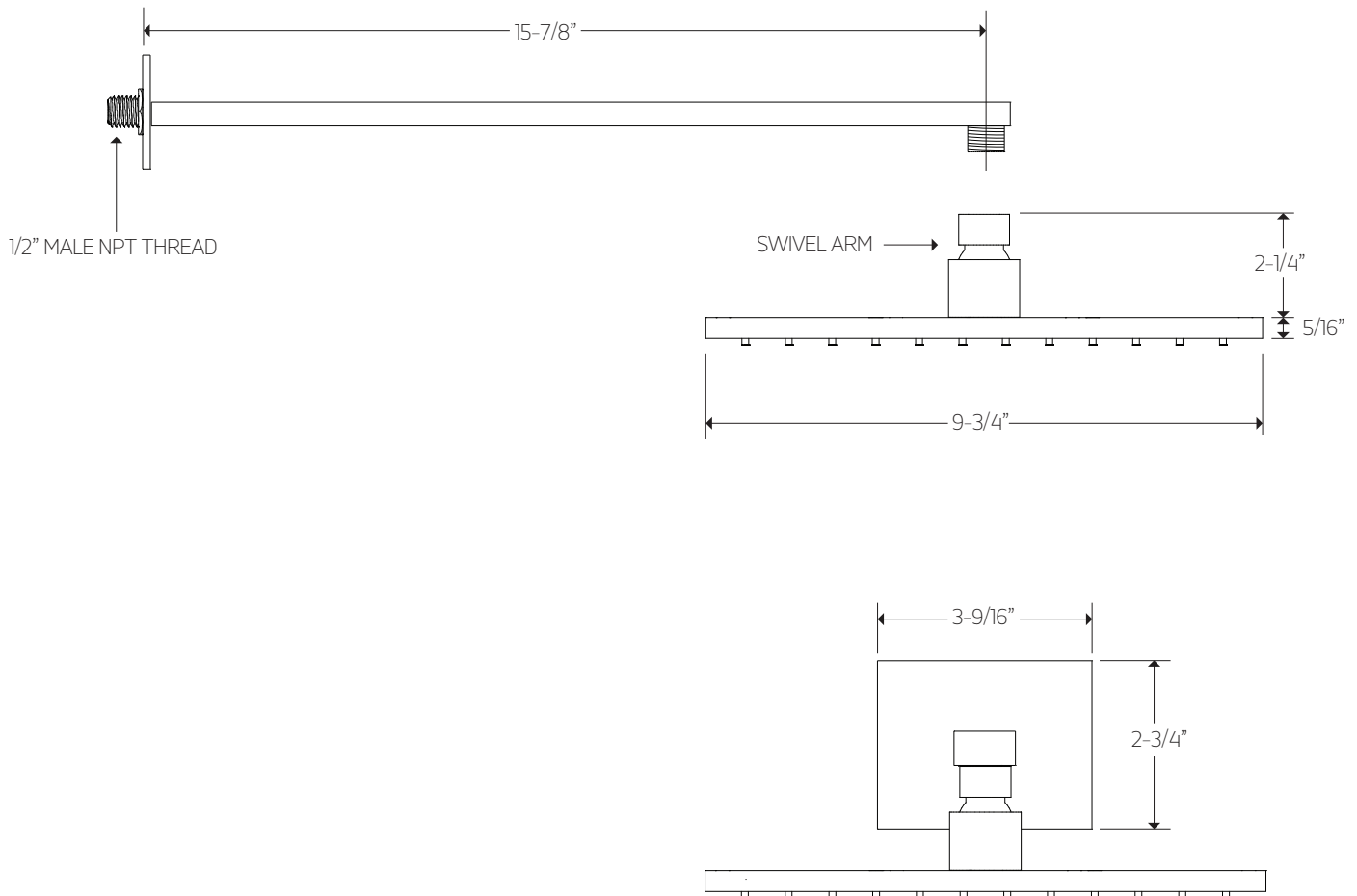


artos[®]

F907-50

PRODUCT DIMENSIONS

10" shower rainhead wall
mount arm



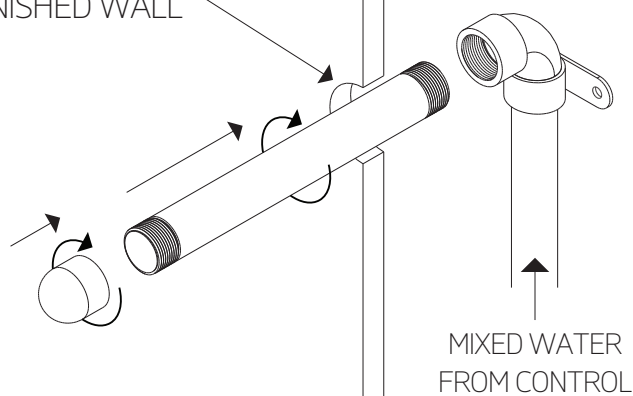
F907-50

10" shower rainhead wall
mount arm

STEP 1

*ALL DIMENSIONS ARE APPROXIMATE

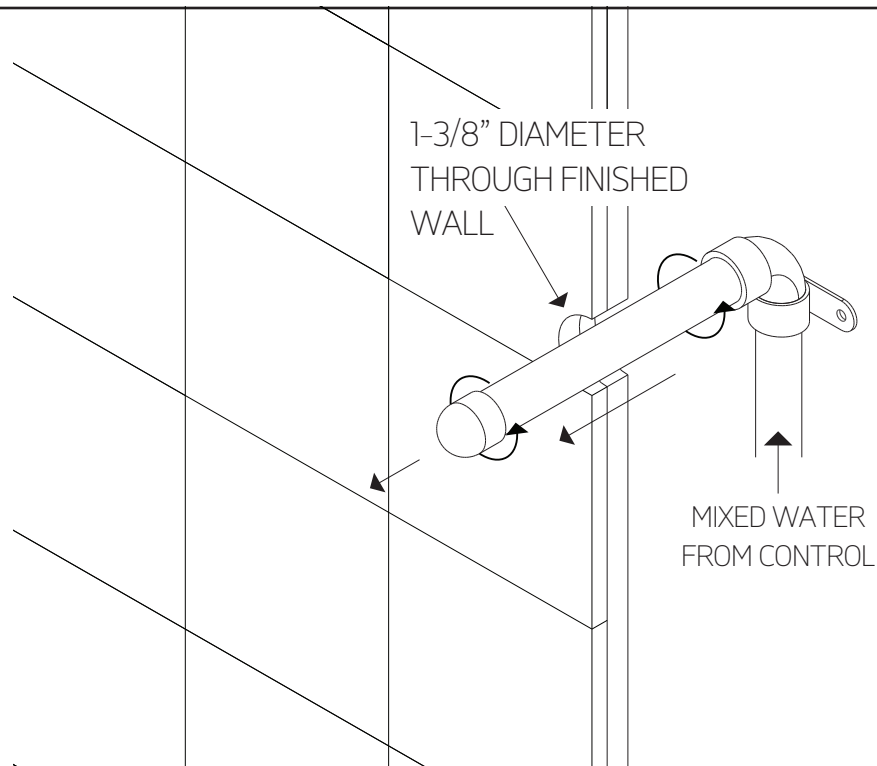
1-3/8" DIAMETER THROUGH
FINISHED WALL



STEP 2

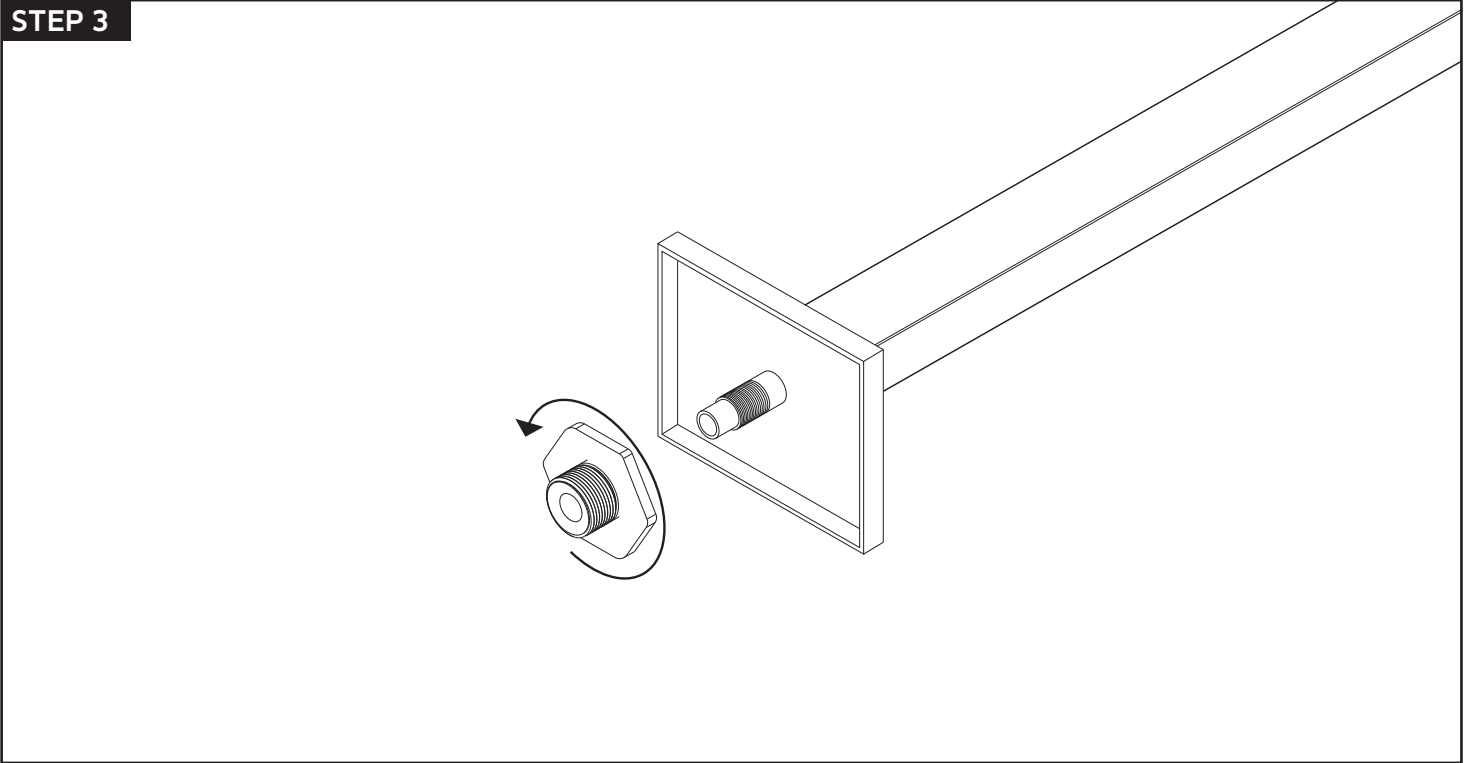
1-3/8" DIAMETER
THROUGH FINISHED
WALL

MIXED WATER
FROM CONTROL

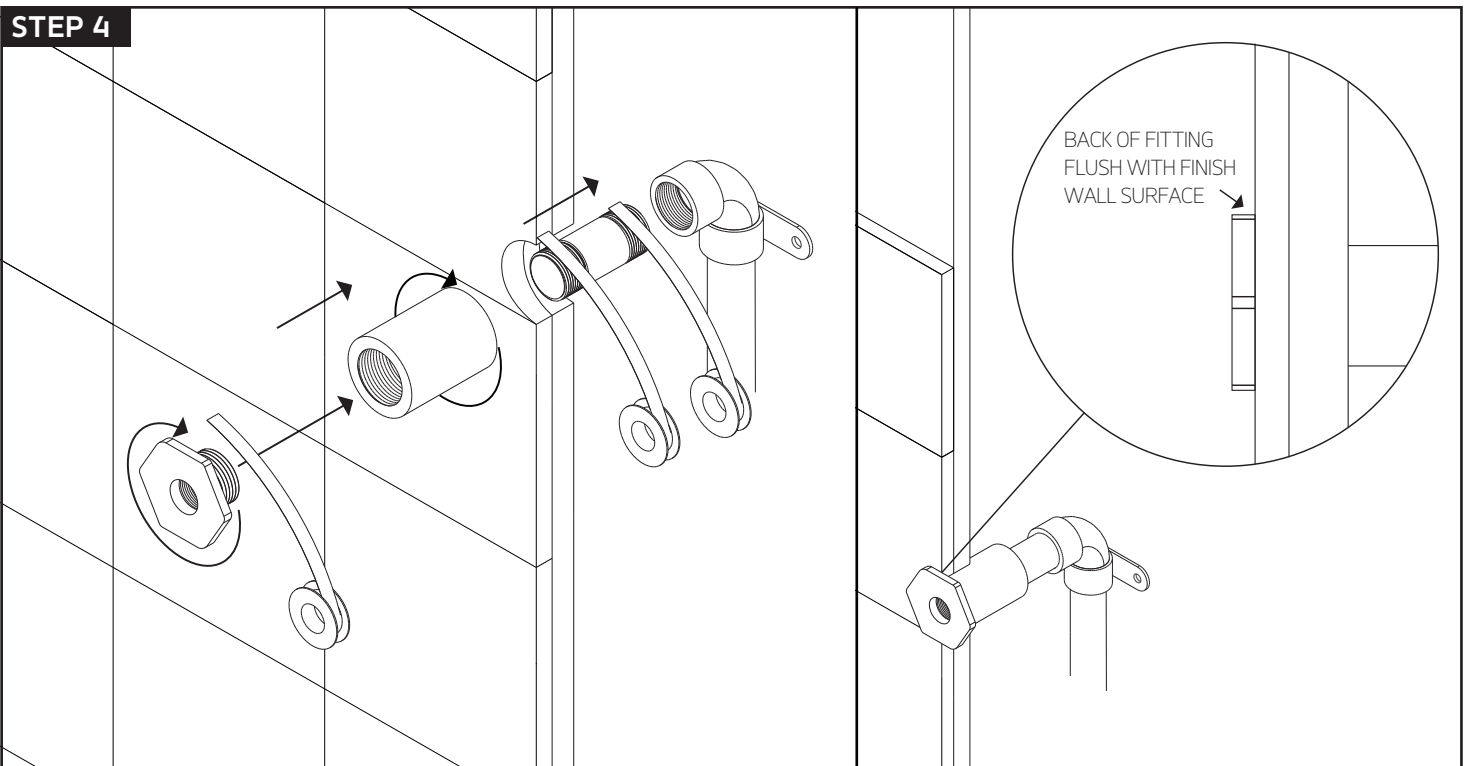


INSTALLATION STEPS

STEP 3

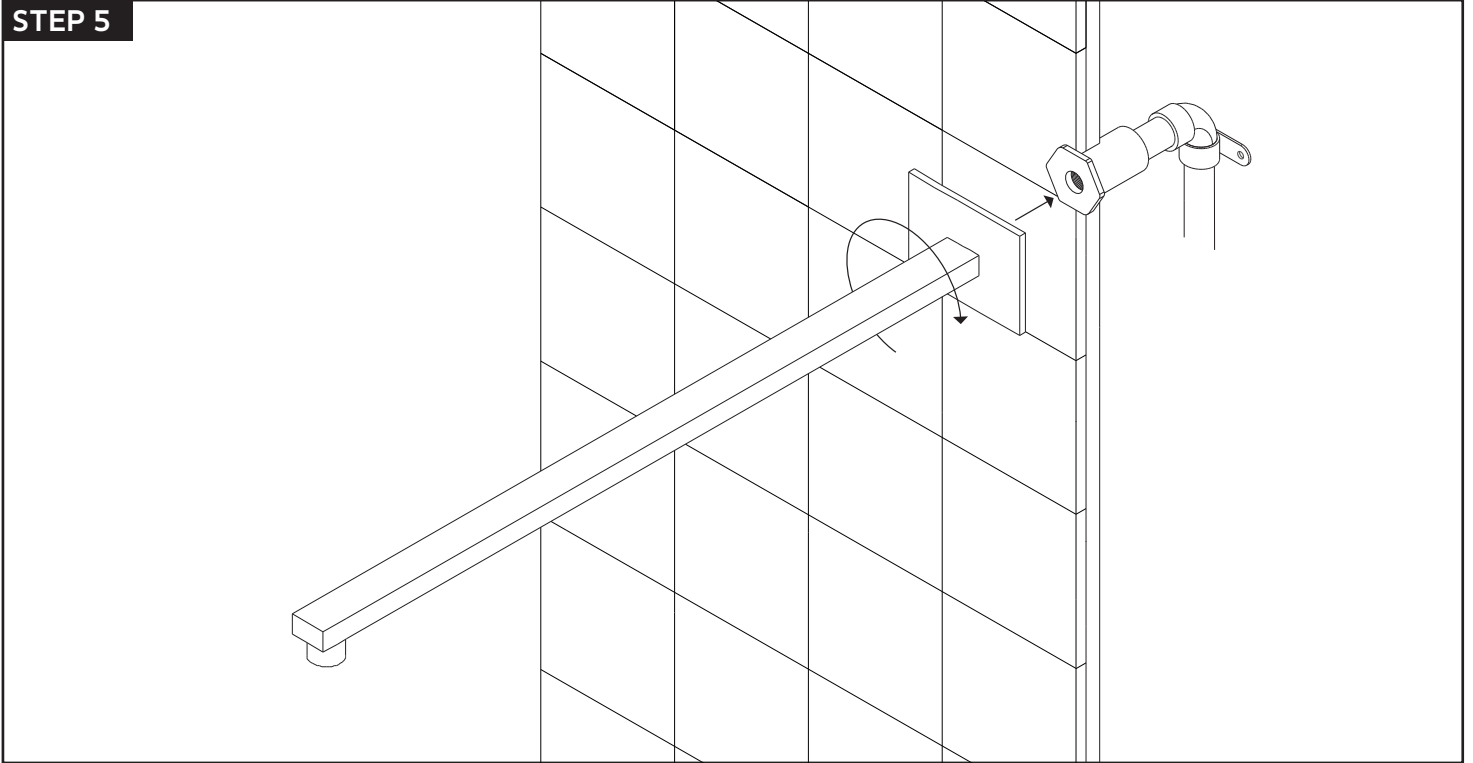


STEP 4

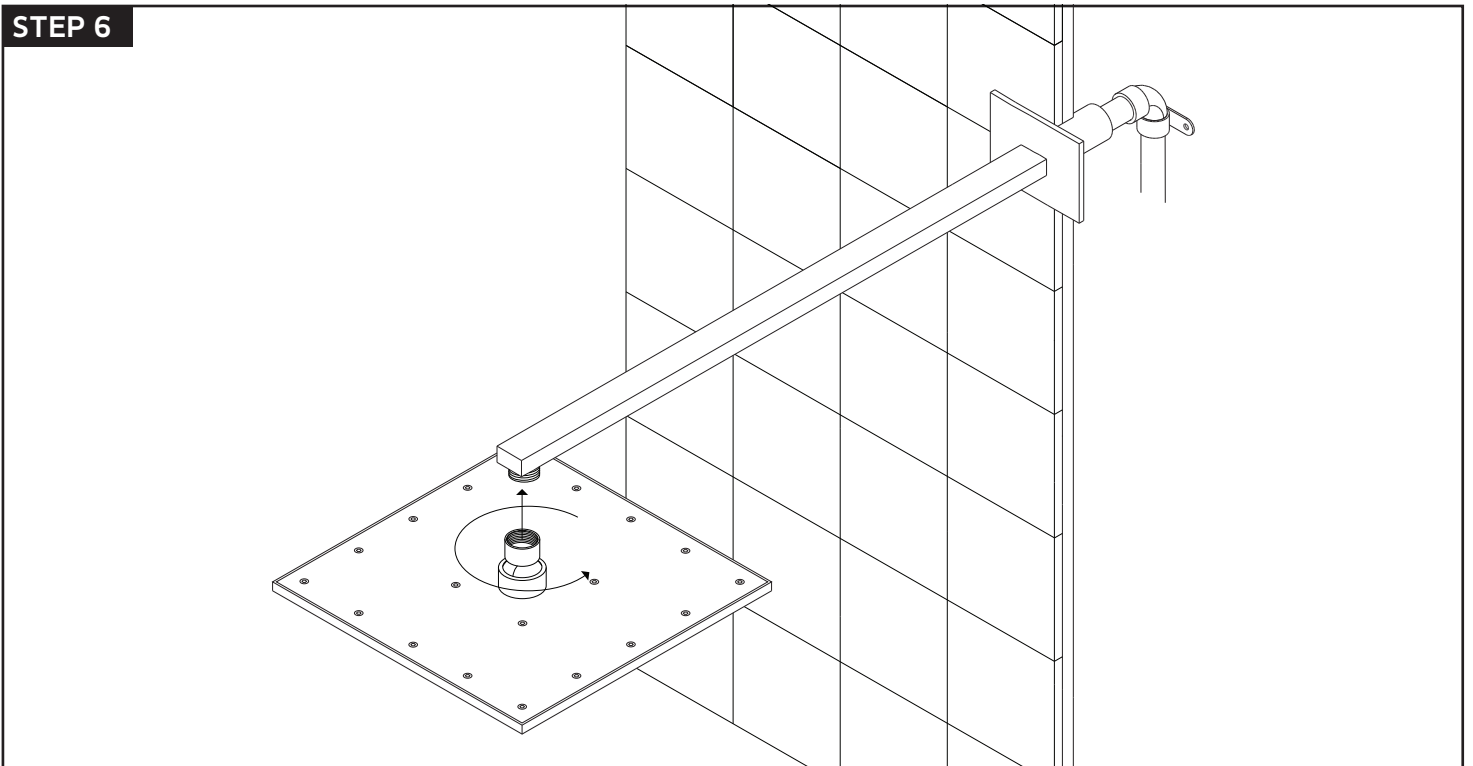


10" shower rainhead wall
mount arm

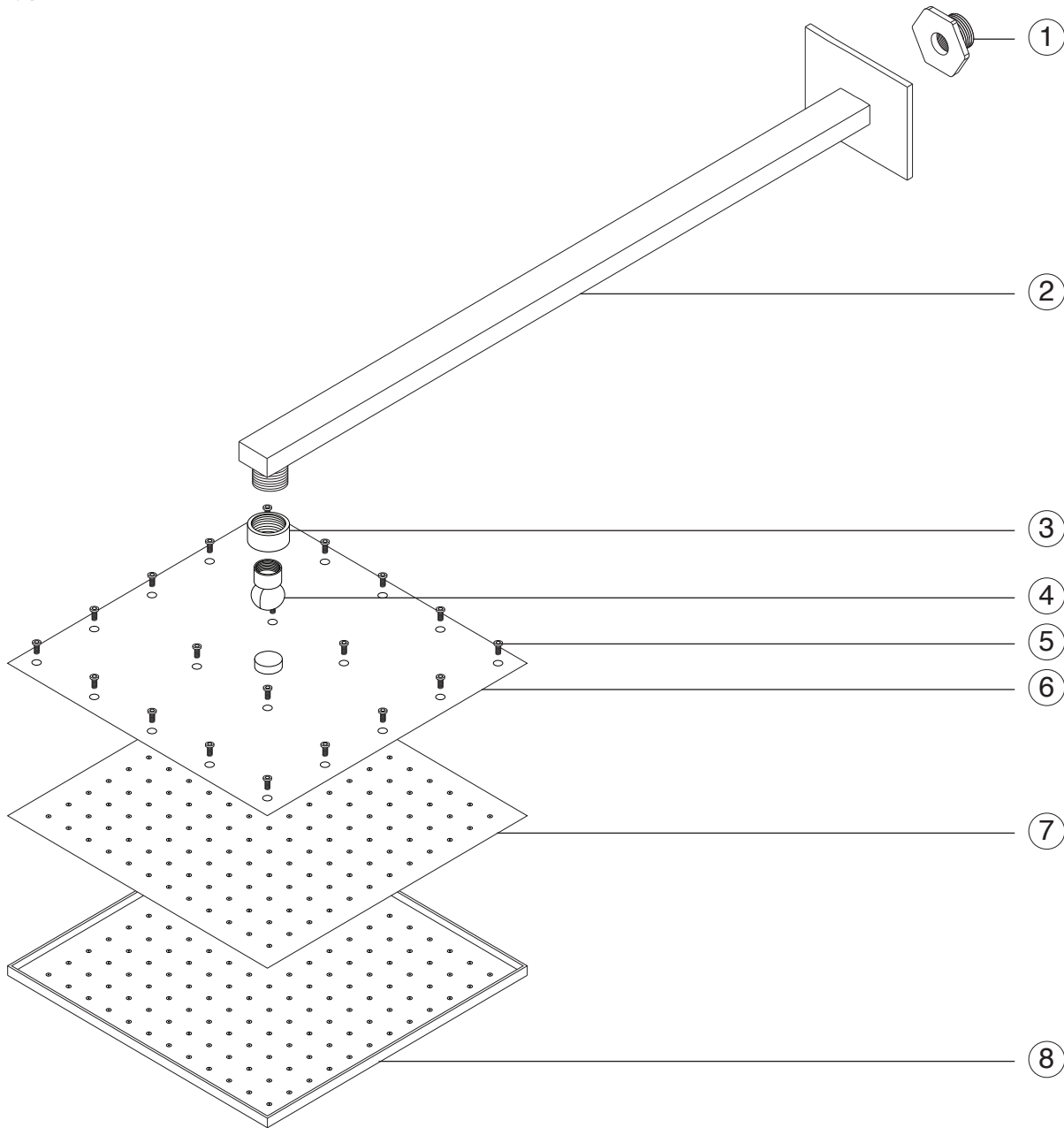
STEP 5



STEP 6



10" shower rainhead wall
mount arm



① SHOWER FITTING

② SHOWER ARM

③ SWIVEL ARM SECURING NUT

④ SWIVEL ARM

⑤ SHOWER HEAD SCREWS

⑥ SHOWER HEAD TOP

⑦ RUBBER MATRIX

⑧ SHOWER HEAD BOTTOM