

artos[®]

F907-22

INSTALLATION GUIDE

12" shower rainhead wall
mount arm square

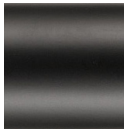
BRUSHED NICKEL(BN)



CHROME(CH)



BLACK(BK)



artos[®]

F907-22

OPERATING SPECIFICATIONS

12" shower rainhead wall
mount arm square



FEATURES

Solid Brass

OPERATING PRESSURE

Minimum: 15 psi

Maximum: 75 psi

Above 90psi it may be necessary to install a pressure reducer

OPERATING TEMPERATURE

Maximum: 176°

INLET/OUTLET

1/2" Male NPT

FLOW RATE

1.8 USGPM

APPROVALS

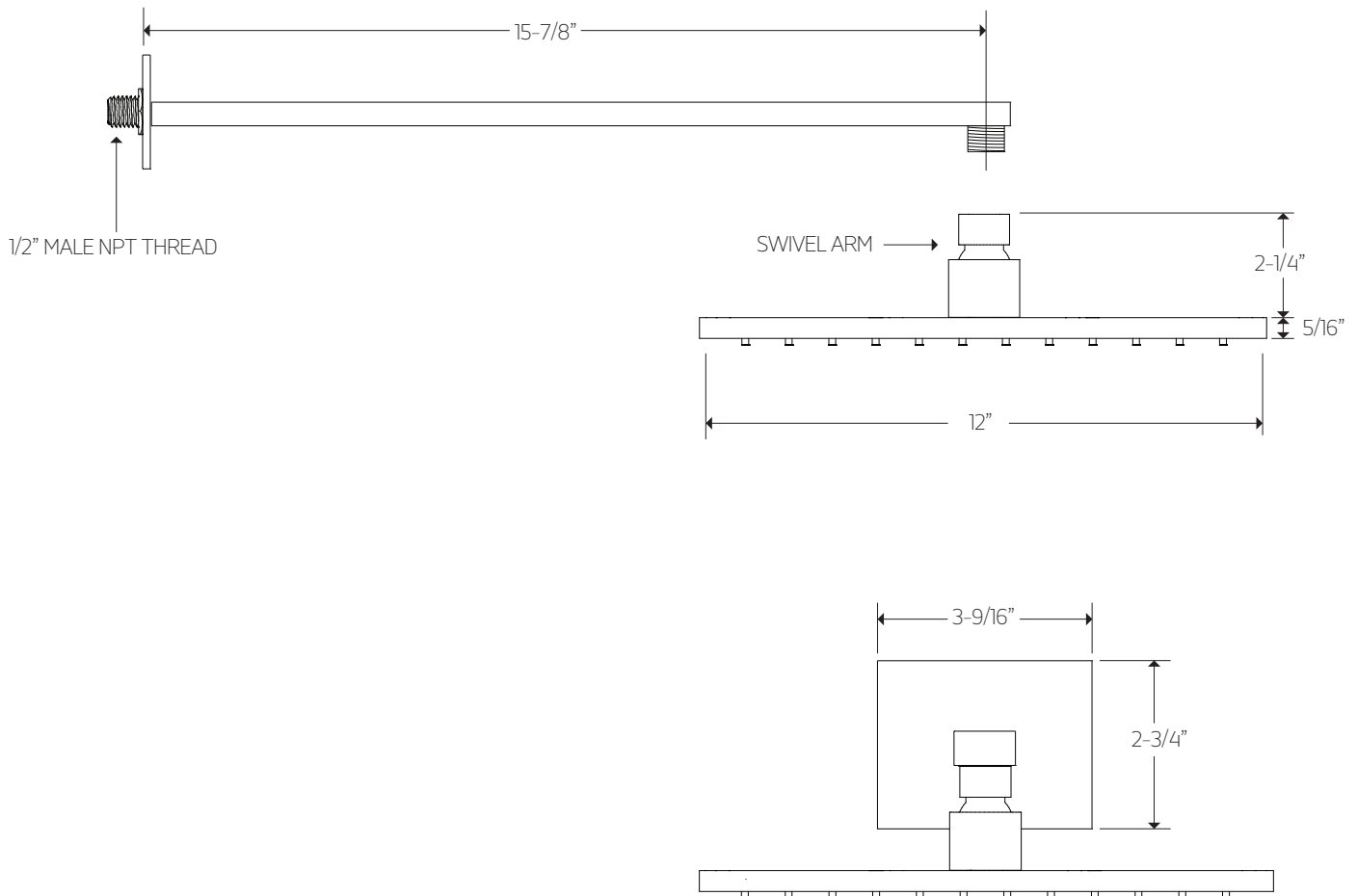


artos[®]

F907-22

PRODUCT DIMENSIONS

12" shower rainhead wall
mount arm square



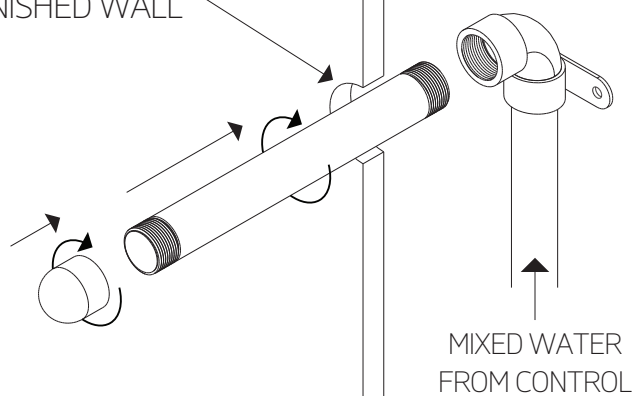
F907-22

12" shower rainhead wall
mount arm square

STEP 1

*ALL DIMENSIONS ARE APPROXIMATE

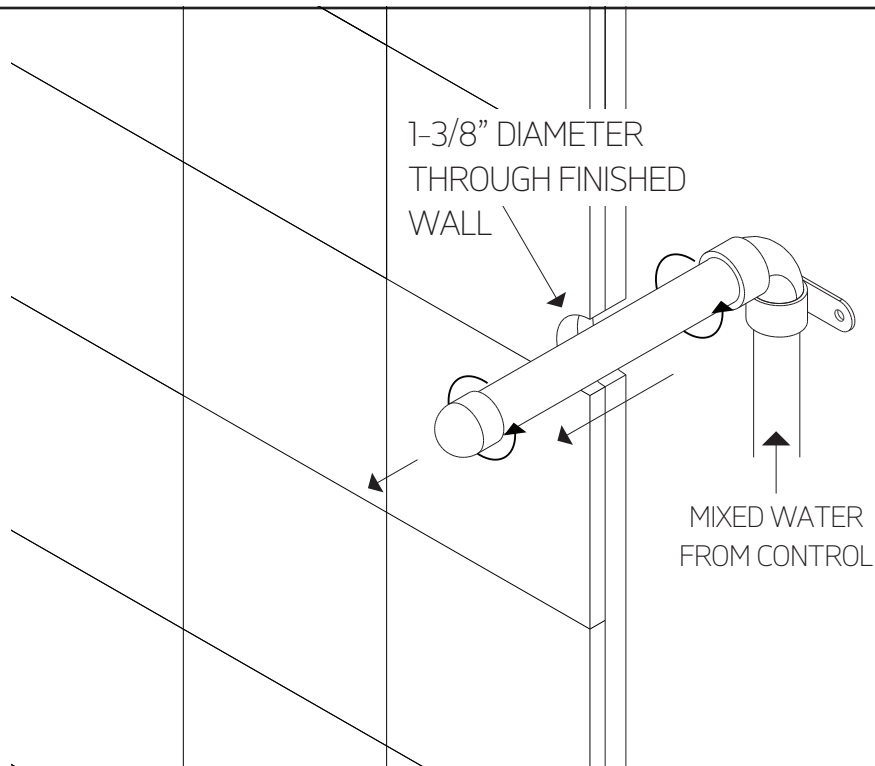
1-3/8" DIAMETER THROUGH
FINISHED WALL



STEP 2

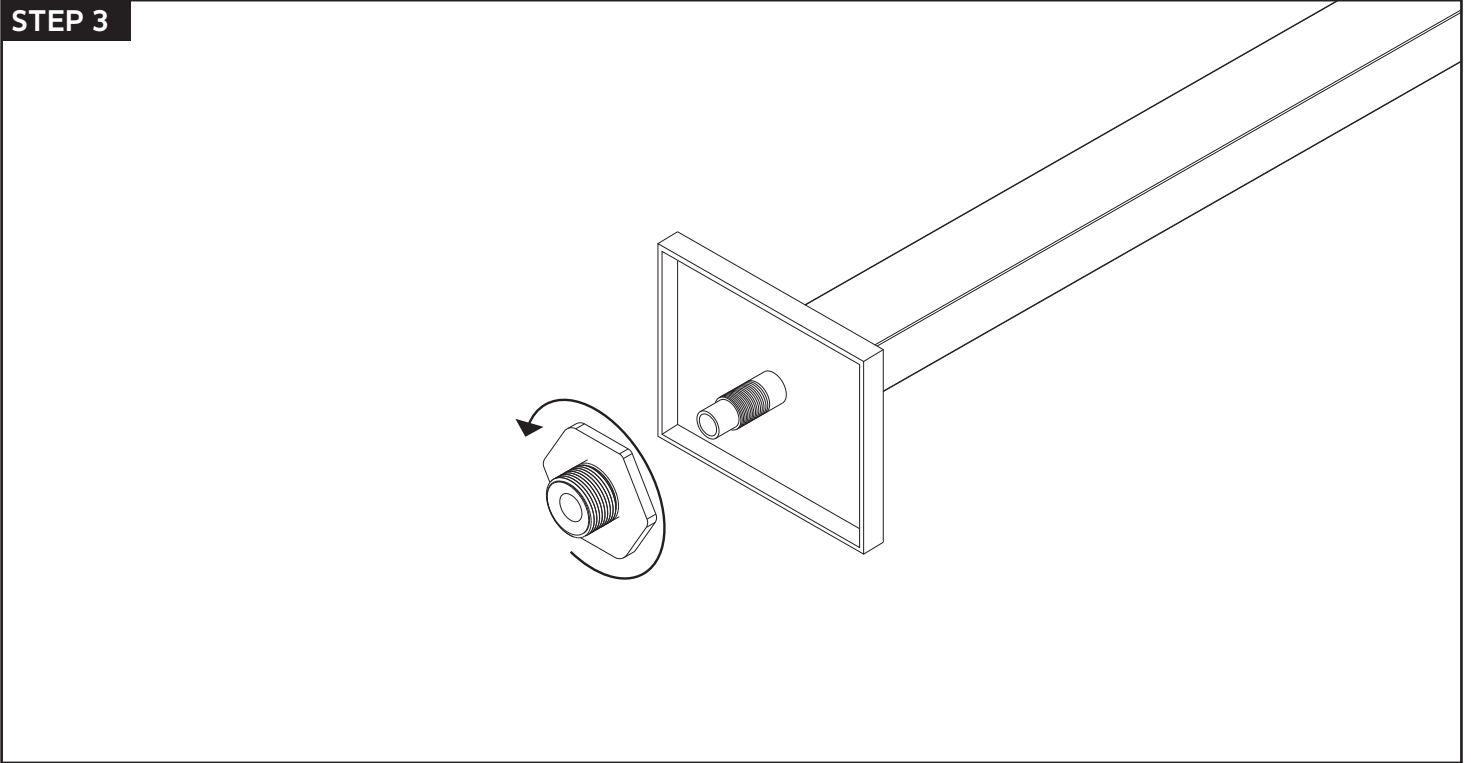
1-3/8" DIAMETER
THROUGH FINISHED
WALL

MIXED WATER
FROM CONTROL

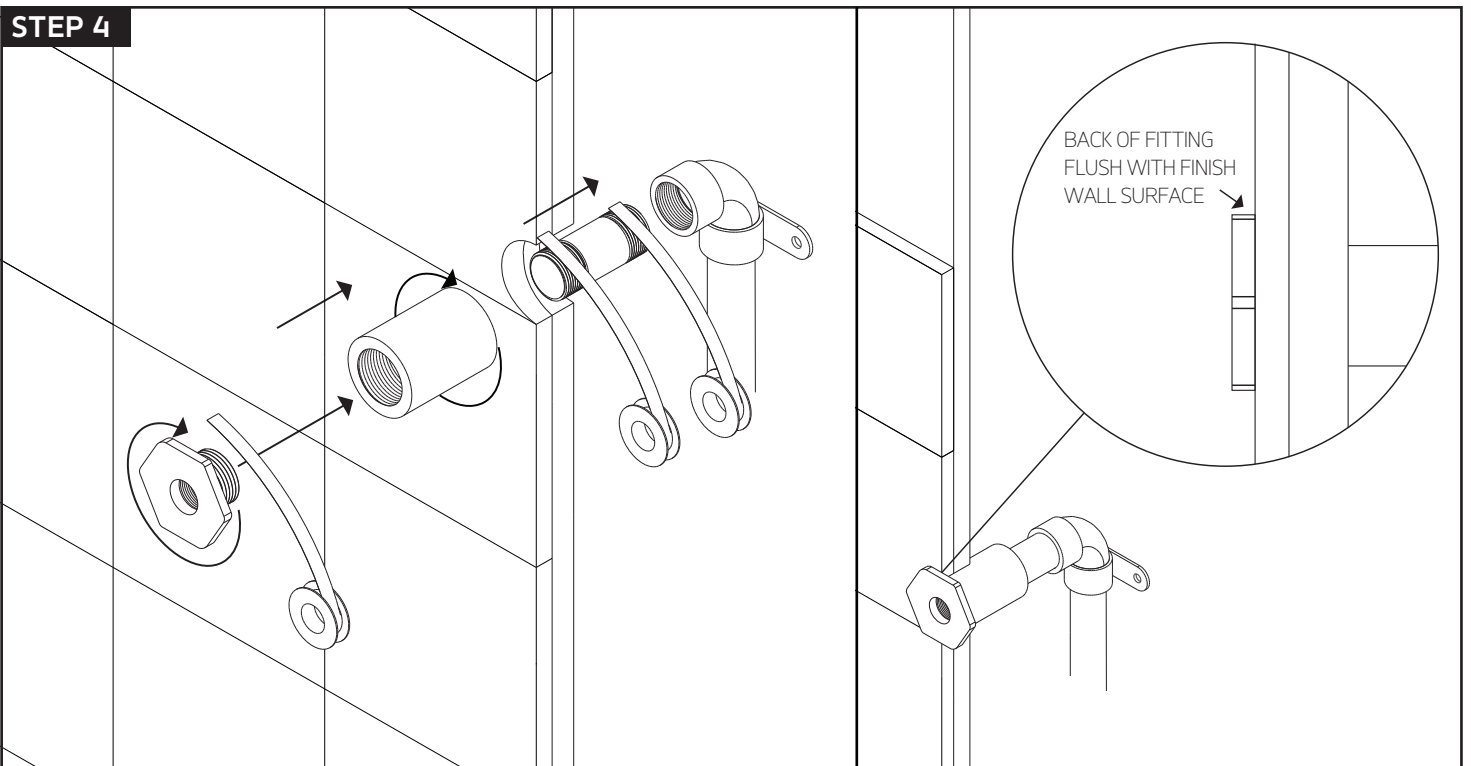


INSTALLATION STEPS

STEP 3

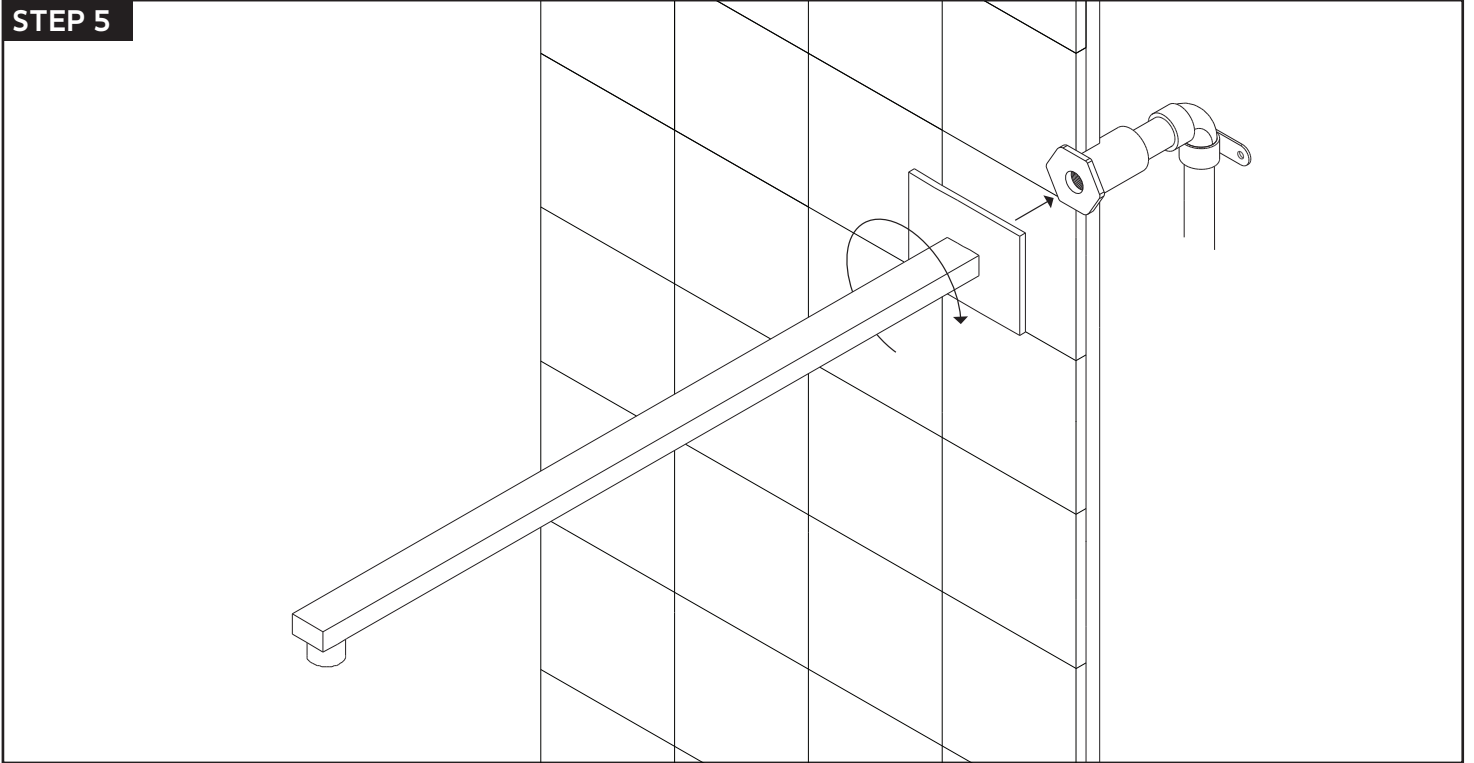


STEP 4

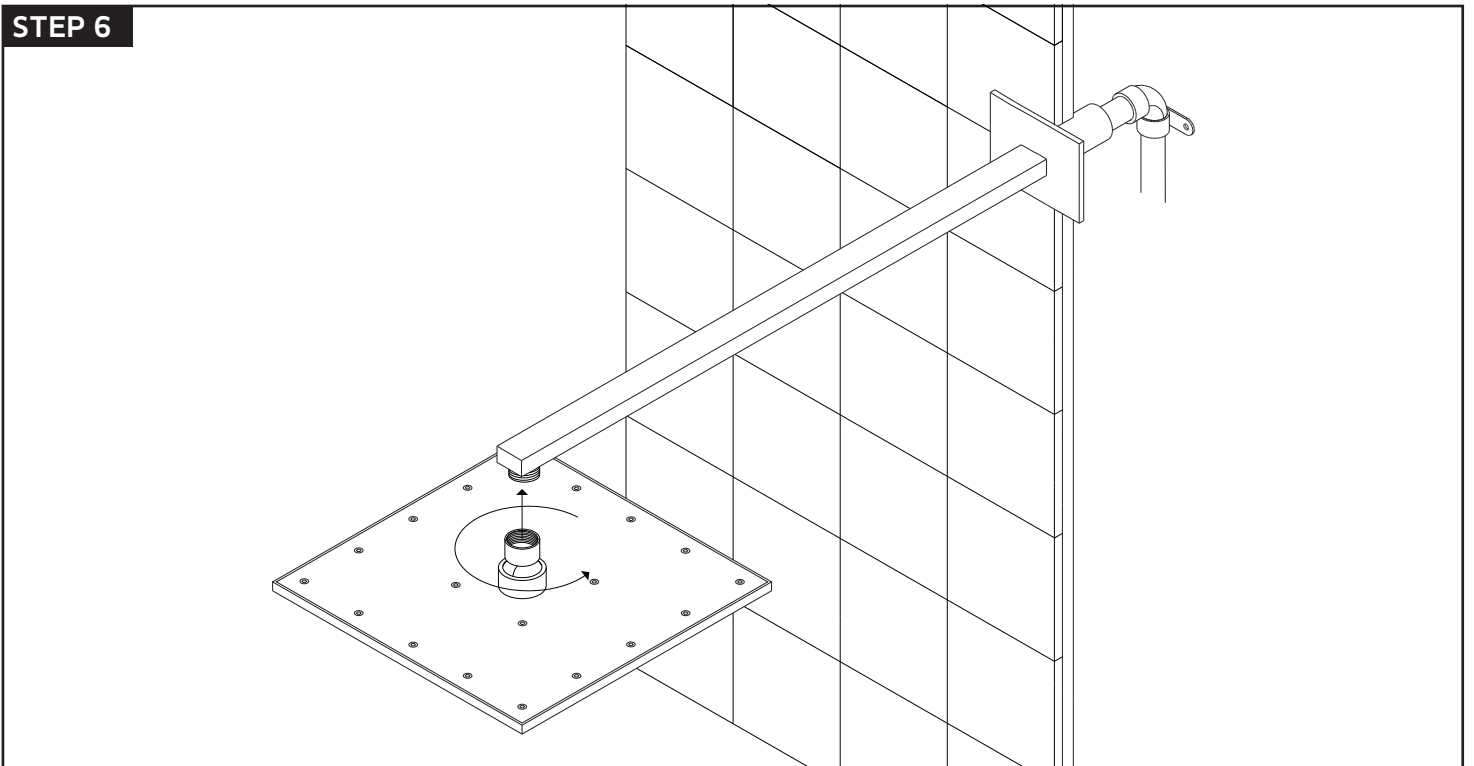


12" shower rainhead wall
mount arm square

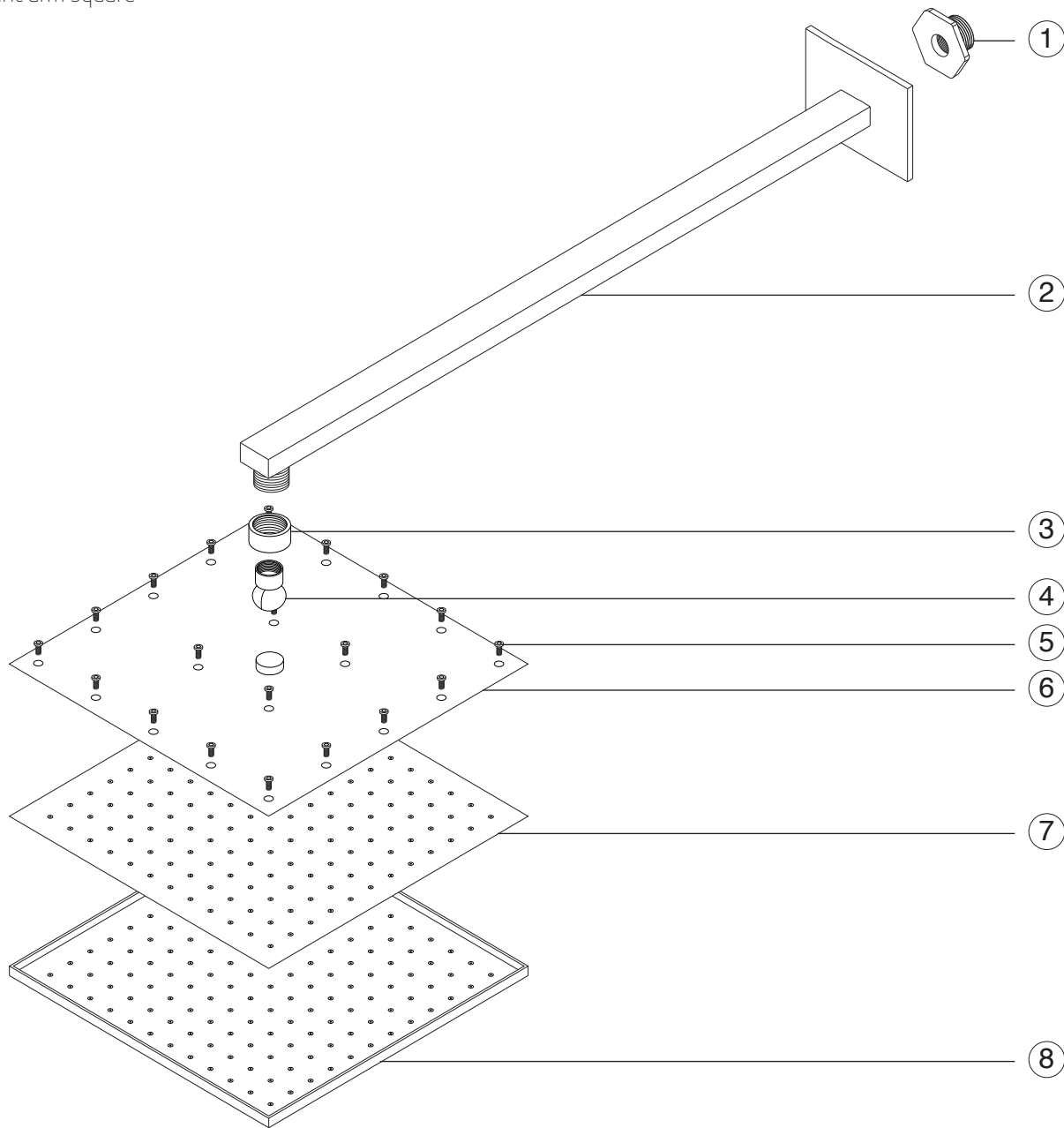
STEP 5



STEP 6



12" shower rainhead wall
mount arm square



- ① SHOWER FITTING
- ② SHOWER ARM
- ③ SWIVEL ARM SECURING NUT
- ④ SWIVEL ARM
- ⑤ SHOWER HEAD SCREWS
- ⑥ SHOWER HEAD TOP

- ⑦ RUBBER MATRIX
- ⑧ SHOWER HEAD BOTTOM