

# artos<sup>®</sup>

## F907-10

## INSTALLATION GUIDE

8" shower rainhead, wall  
mount, angled arm square

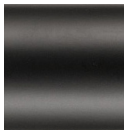
BRUSHED NICKEL(BN)



CHROME(CH)



BLACK(BK)



# artos<sup>®</sup>

F907-10

## OPERATING SPECIFICATIONS

8" shower rainhead, wall  
mount, angled arm square



### FEATURES

Solid Brass

### OPERATING PRESSURE

Minimum: 15 psi

Maximum: 75 psi

Above 90psi it may be necessary to install a pressure  
reducer

### OPERATING TEMPERATURE

Maximum: 176°

### FLOW RATE

1.8 USGPM

### APPROVALS

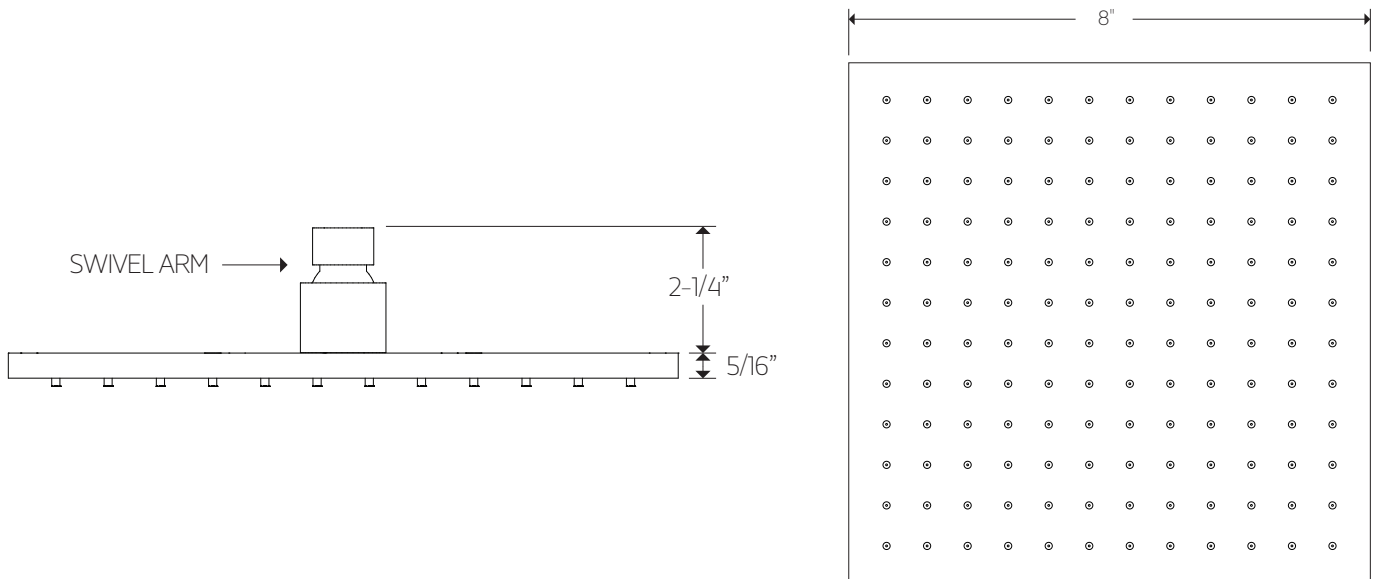
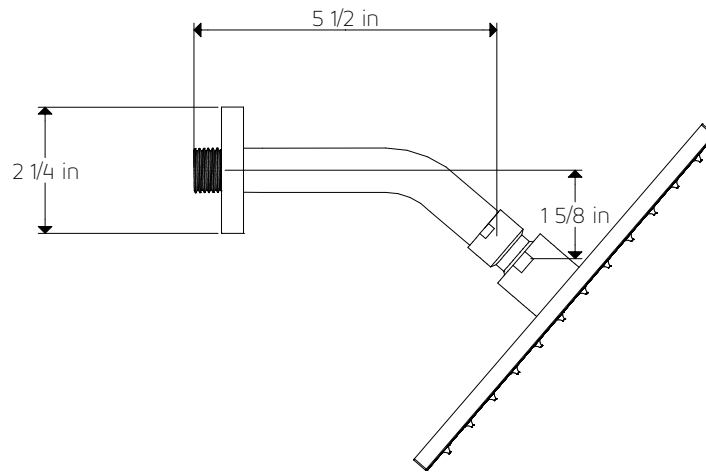


# artos<sup>®</sup>

## F907-10

### PRODUCT DIMENSIONS

8" shower rainhead, wall  
mount, angled arm square

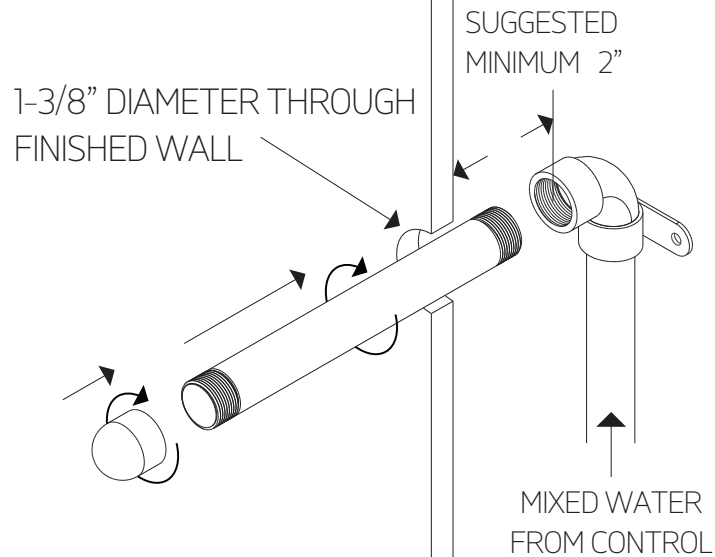


# artos<sup>®</sup>

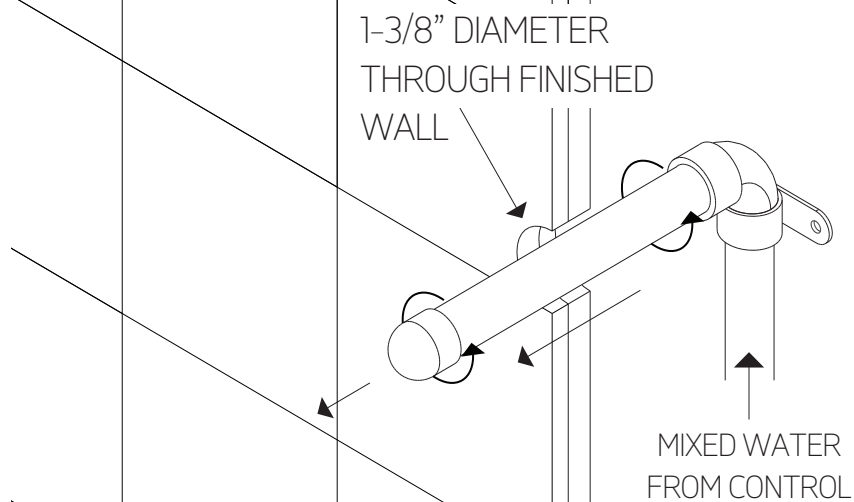
F907-10

8" shower rainhead, wall  
mount, angled arm square

## STEP 1

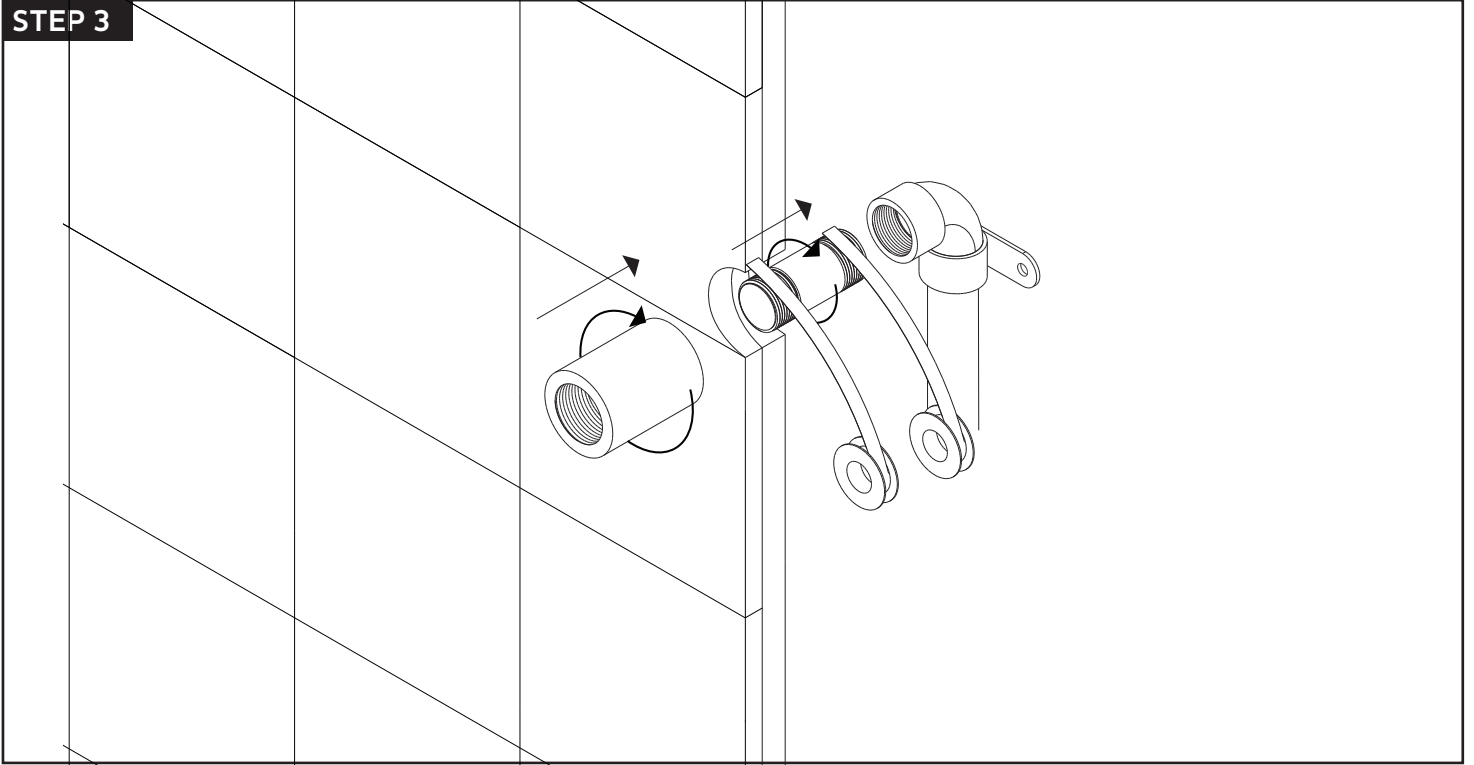


## STEP 2

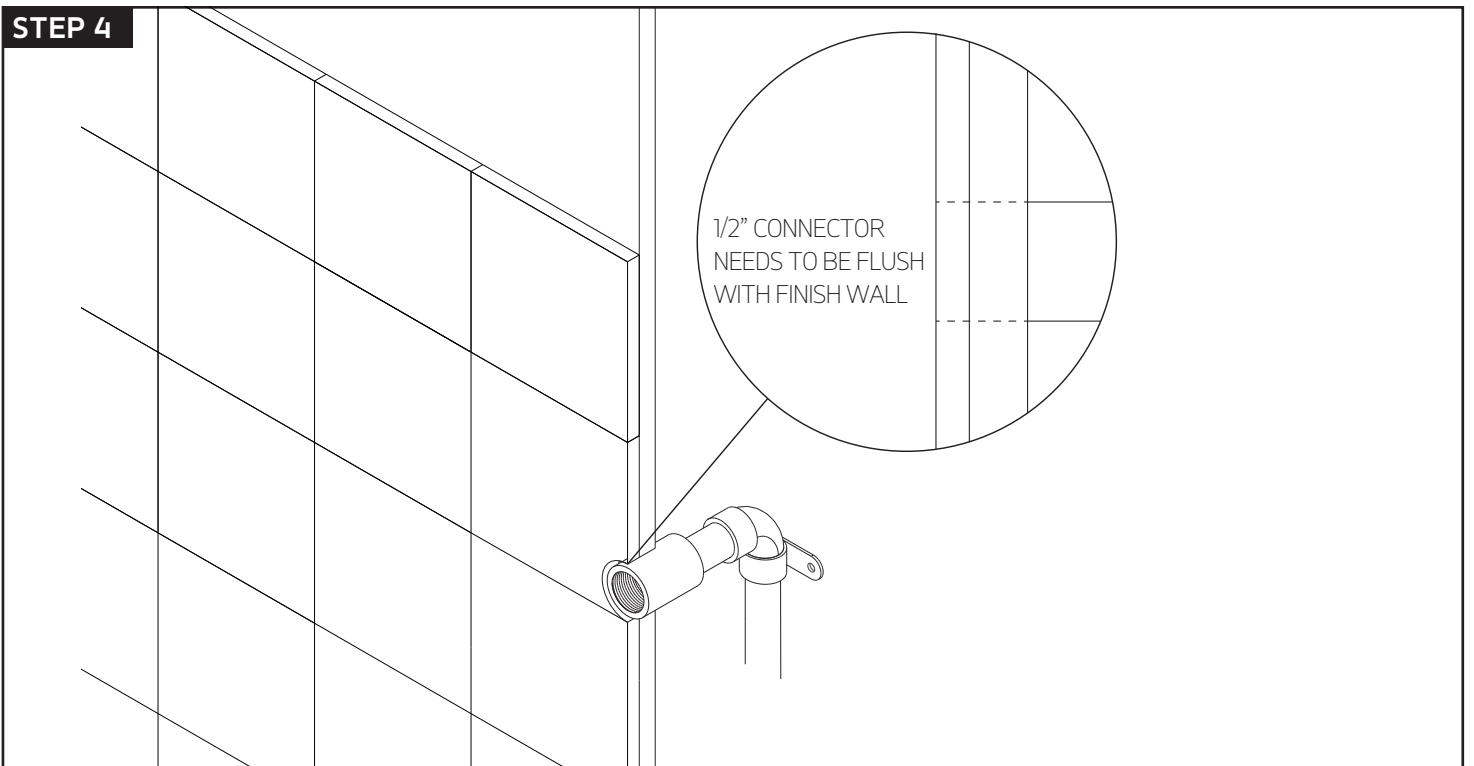


# INSTALLATION STEPS

## STEP 3

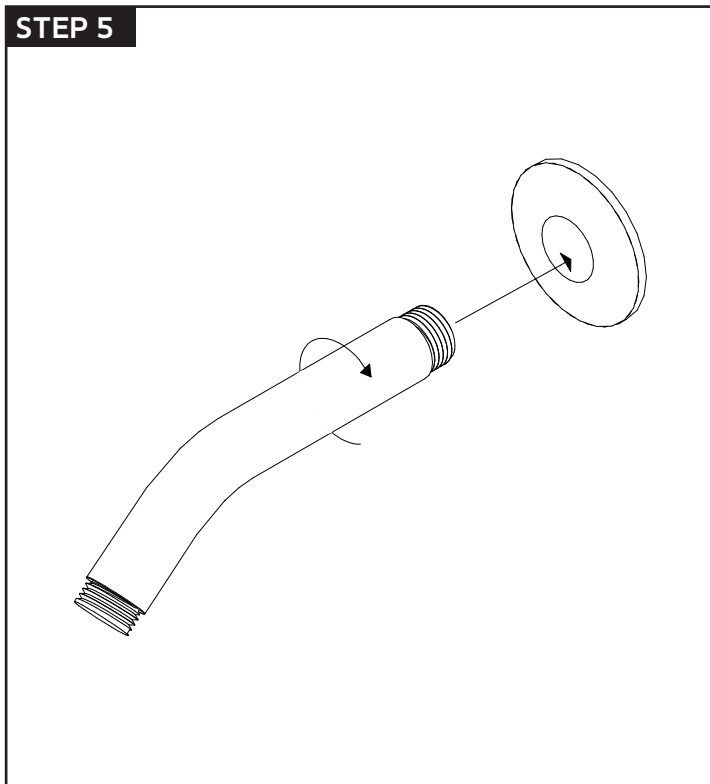


## STEP 4

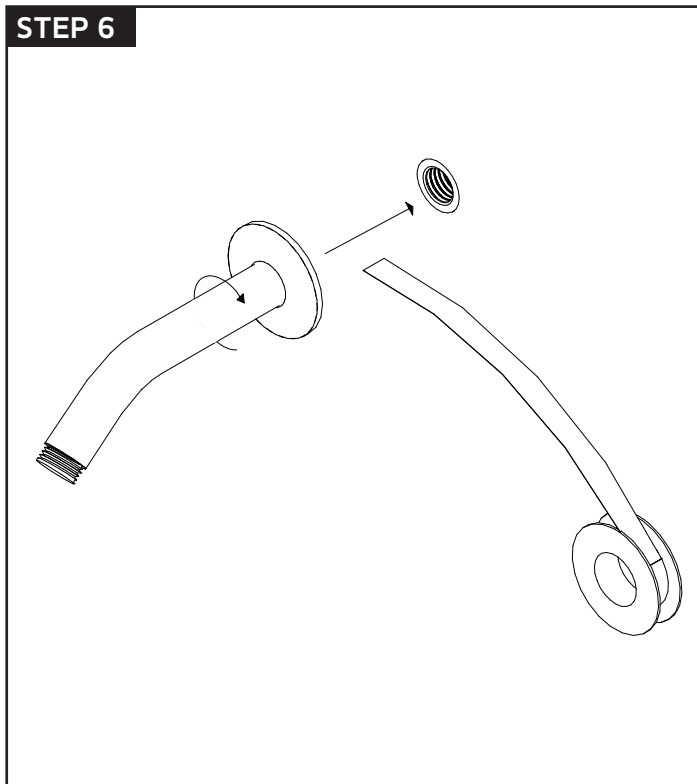


8" shower rainhead, wall  
mount, angled arm square

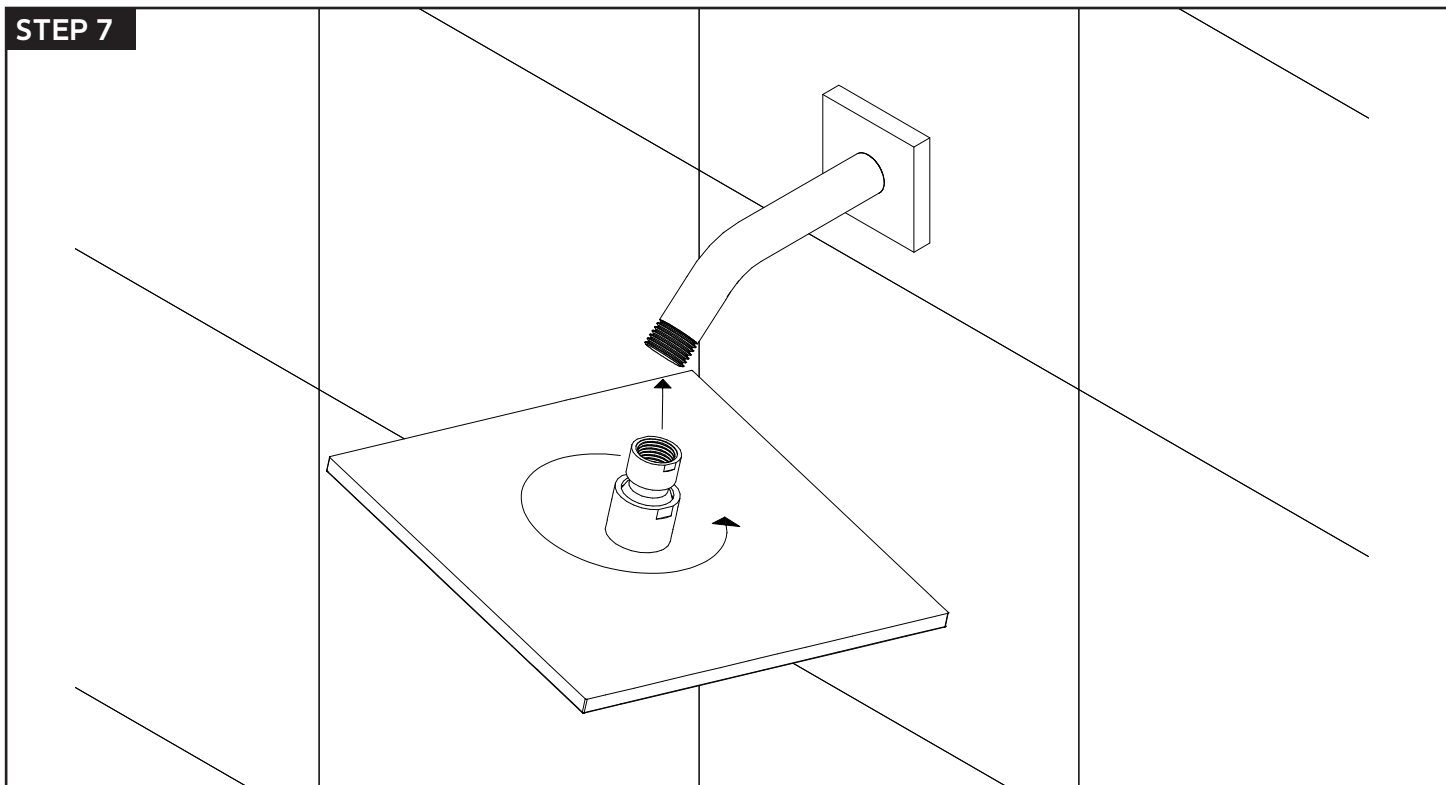
### STEP 5



### STEP 6



### STEP 7

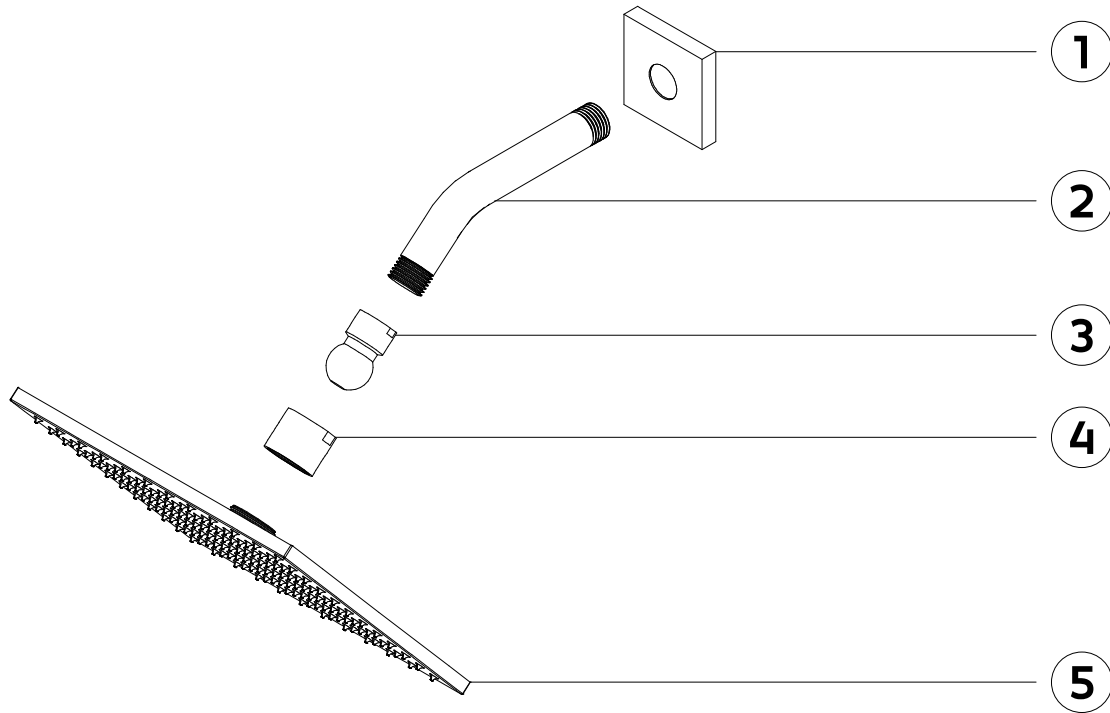


# artos<sup>®</sup>

F907-10

## PARTS BREAKDOWN

8" shower rainhead, wall  
mount, angled arm square



- ① SHOWER ARM ESCUTCHEON
- ② SHOWER ARM
- ③ SWIVEL ARM
- ④ SWIVEL ARM SECURING NUT
- ⑤ SHOWER HEAD