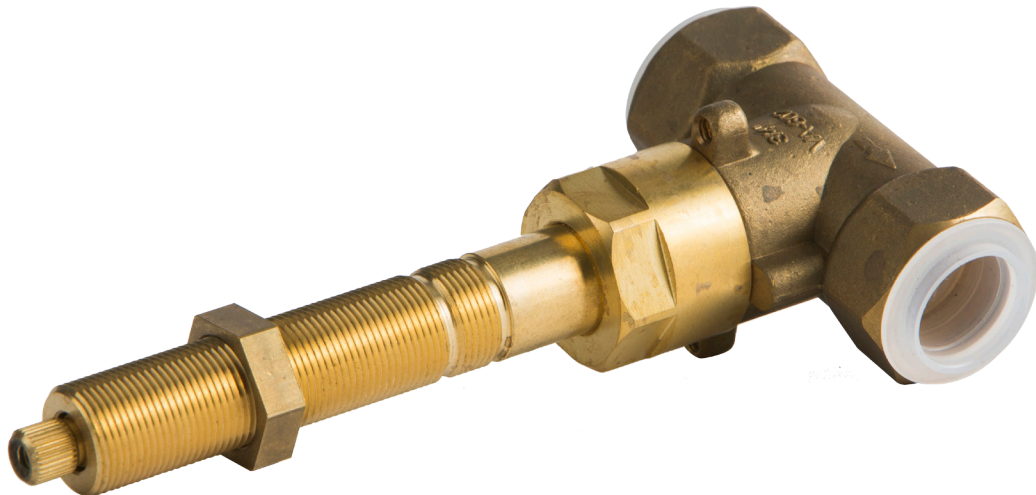


artos

F906A34-V0

3/4" volume control valve only

INSTALLATION GUIDE



artos

F906A34-V0

3/4" volume control valve only

OPERATING SPECIFICATIONS

OPERATING PRESSURE

Minimum: 10 psi
Maximum: 125 psi

FLOW CAPACITY

7.1USGPM@60 psi

INLET/OUTLET

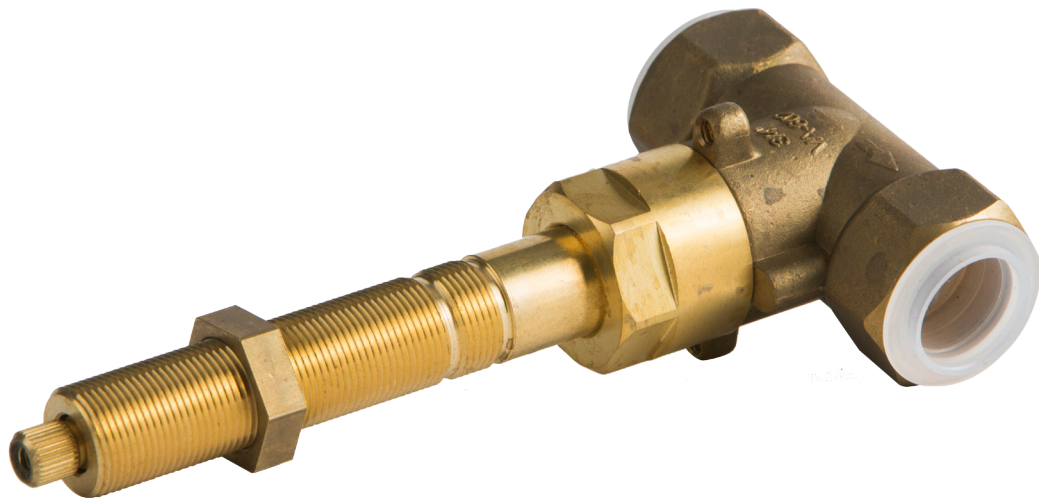
3/4" Female NPT

STANDARDS

ASSE 1016.ASME A112.18.1/CSA B123.1 Certified

CODES

CUPC Approved

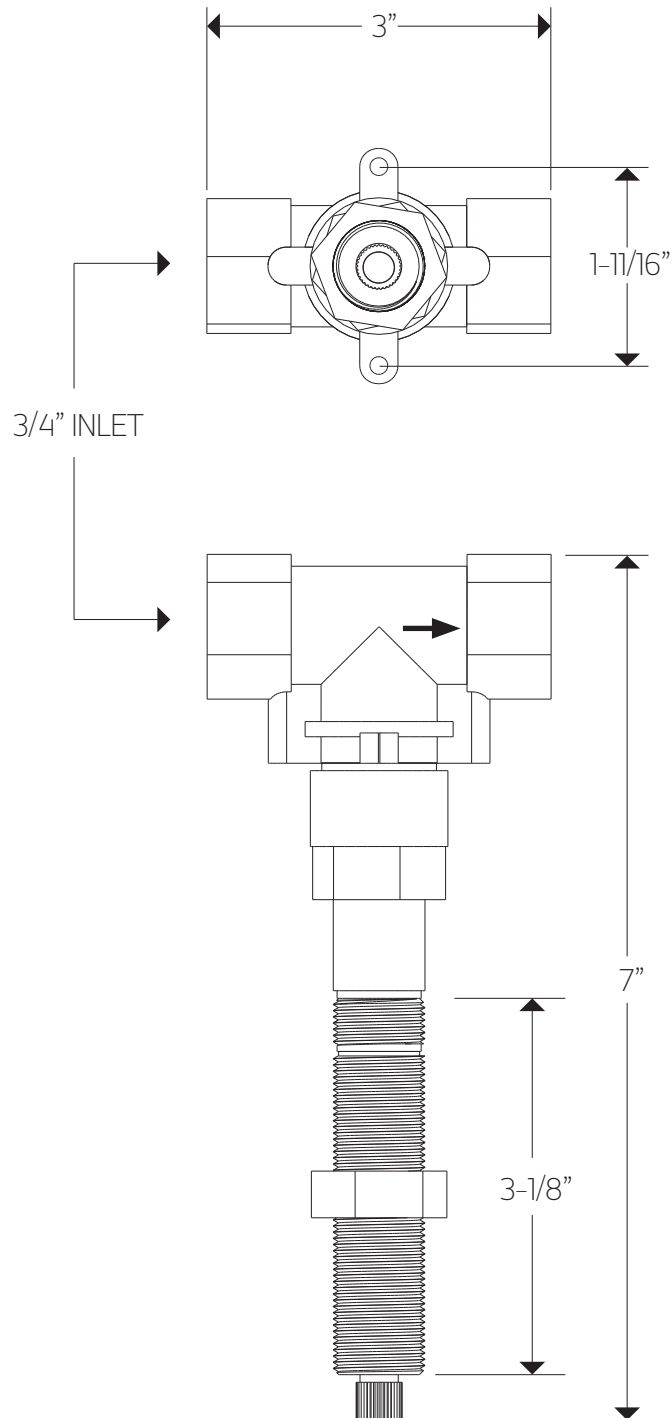


artos

F906A34-V0

3/4" volume control valve only

PRODUCT DIMENSIONS



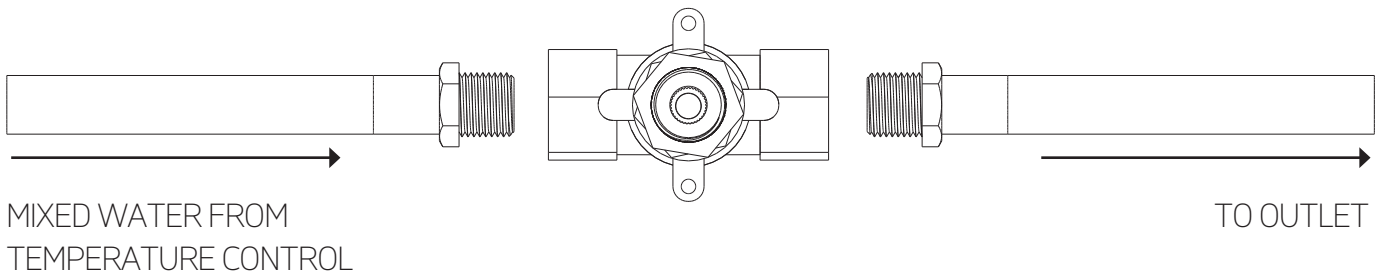
artos

F906A34-V0

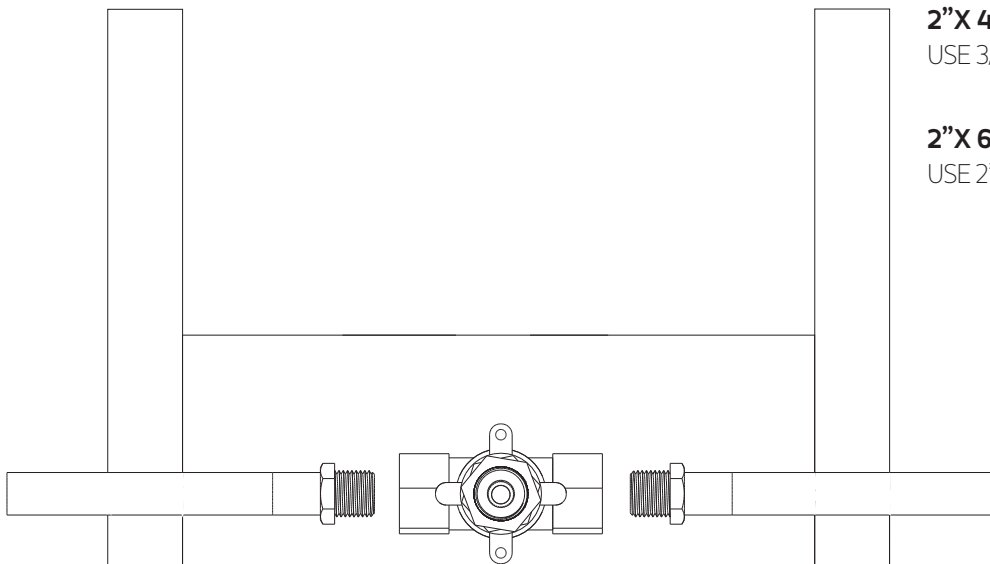
3/4" volume control valve only

STEP 1

IMPORTANT: IF USING HEAT NEAR THE VALVE BODY PLEASE REMOVE CARTRIDGE.



STEP 2



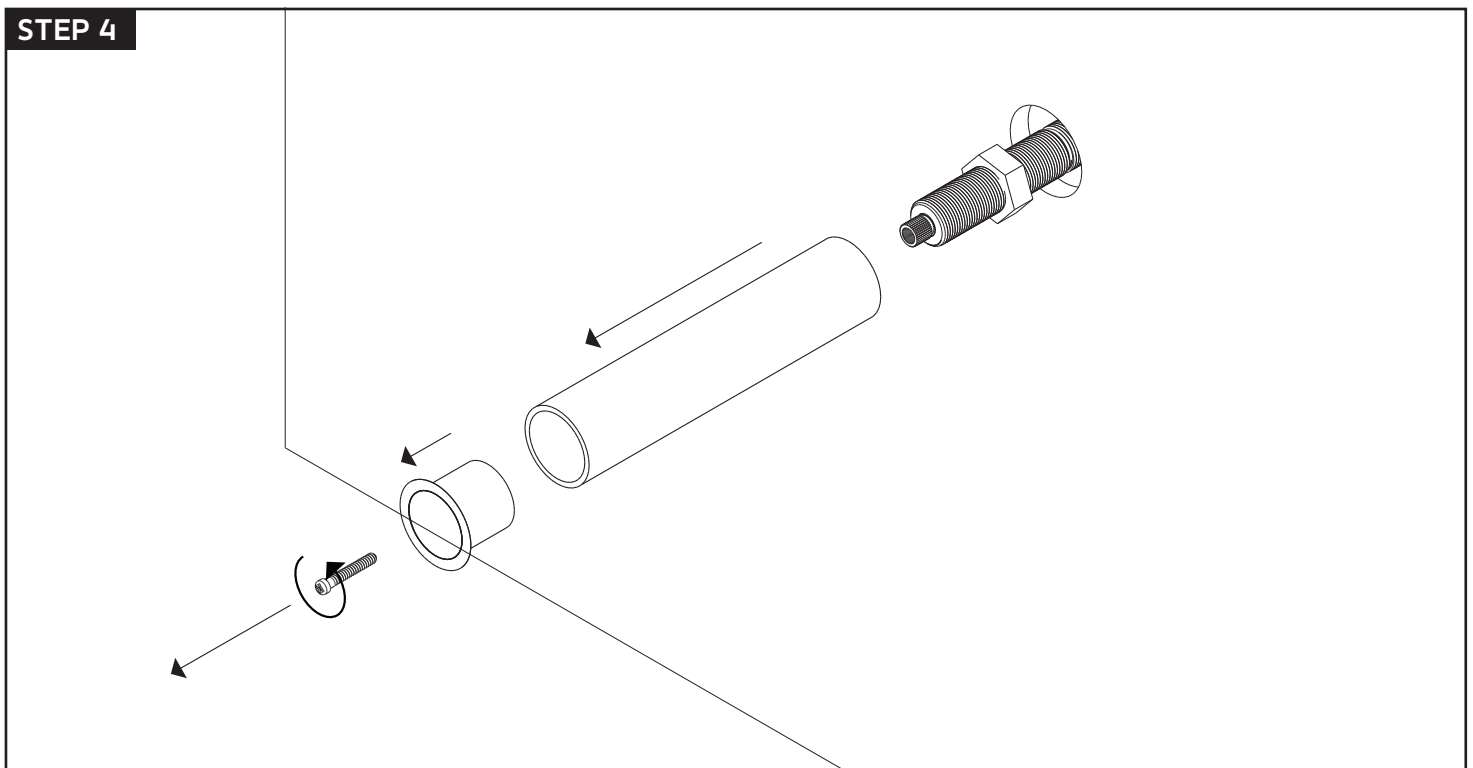
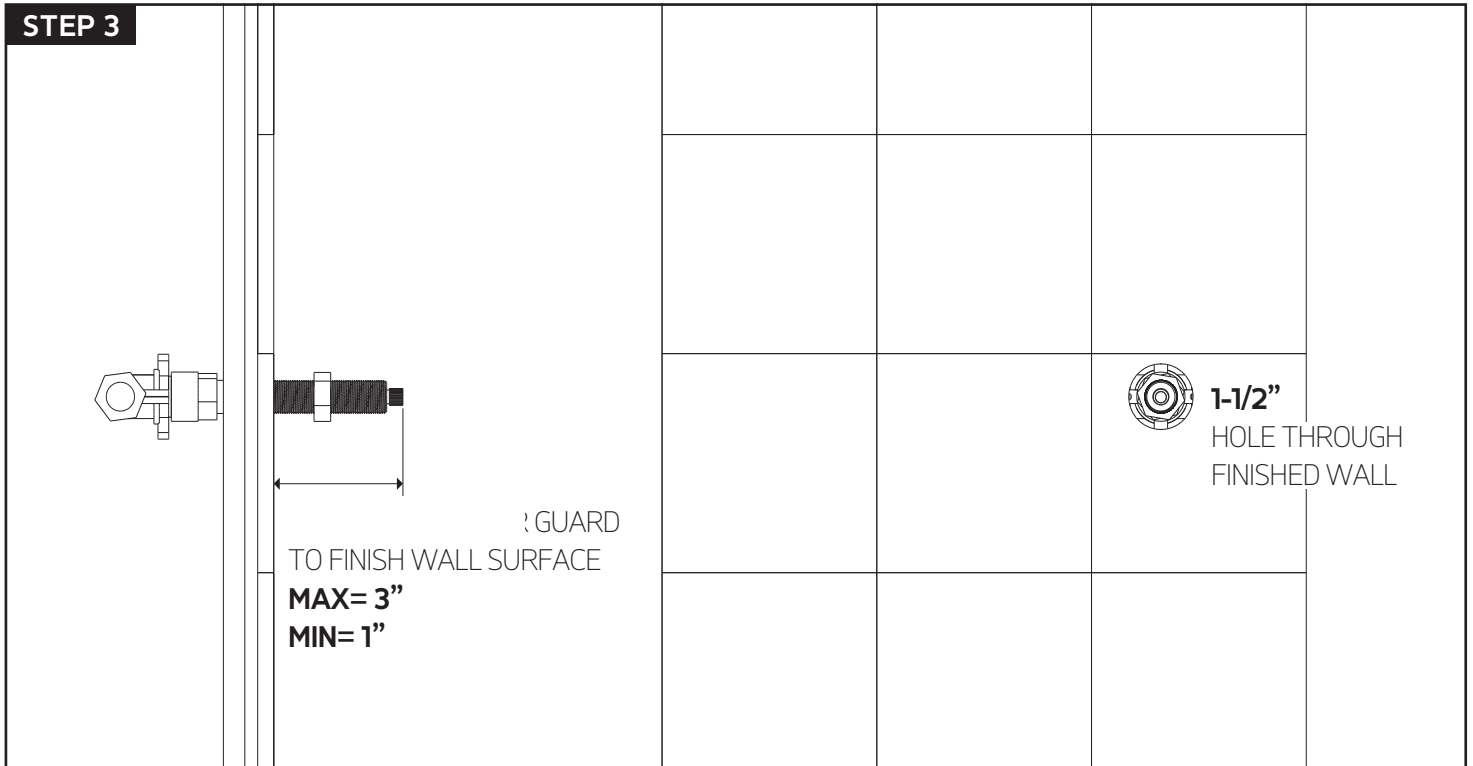
2"X 4" WALLS

USE 3/4" PLYWOOD BACKER

2"X 6" WALLS

USE 2"X 6" BACKER

INSTALLATION STEPS

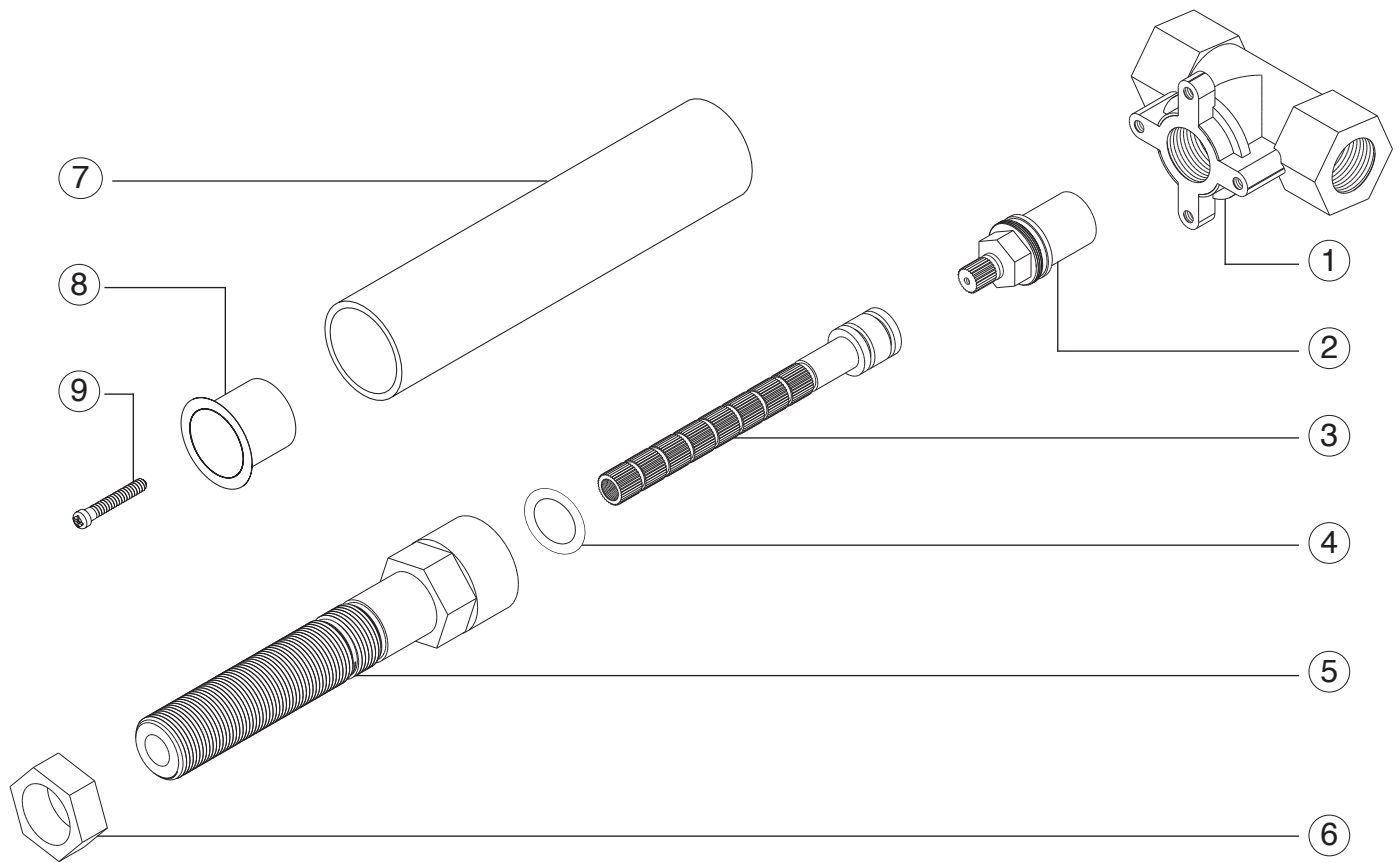


artos

F906A34-V0

3/4" volume control valve only

PARTS BREAKDOWN



- ① VALVE BODY
- ② CARTRIDGE
- ③ HANDLE STEM
- ④ STEM WASHER
- ⑤ ESCUTCHEON STEM
- ⑥ PLATE SECURING NUT
- ⑦ PLASTER GUARD
- ⑧ PLASTER GUARD CAP
- ⑨ PLASTER GUARD SCREW