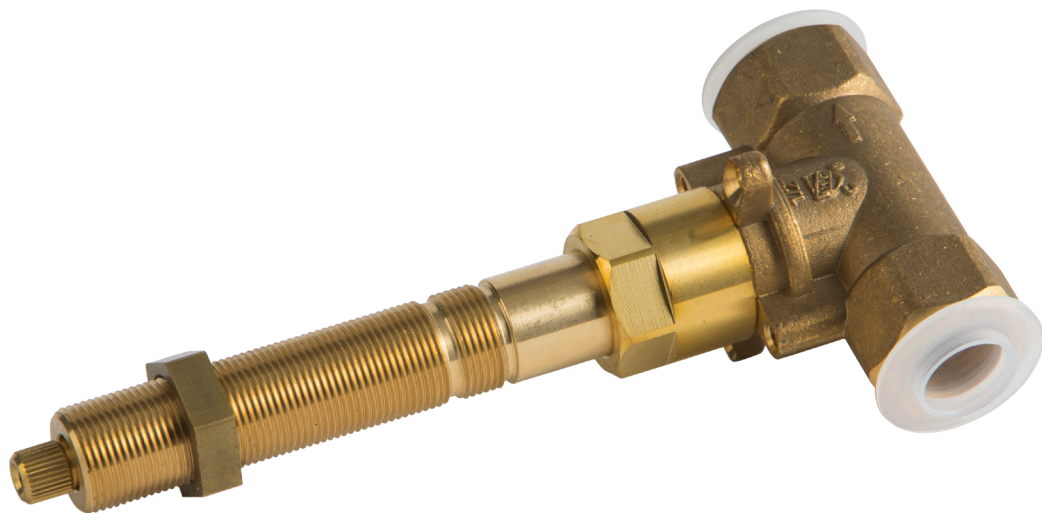


artos

F906A-V0

INSTALLATION GUIDE

1/2" volume control valve only



artos

F906A-V0

OPERATING SPECIFICATIONS

1/2" volume control valve only

OPERATING PRESSURE

Minimum: 10 psi
Maximum: 125 psi

FLOW CAPACITY

5.6USGPM@60 psi

INLET/OUTLET

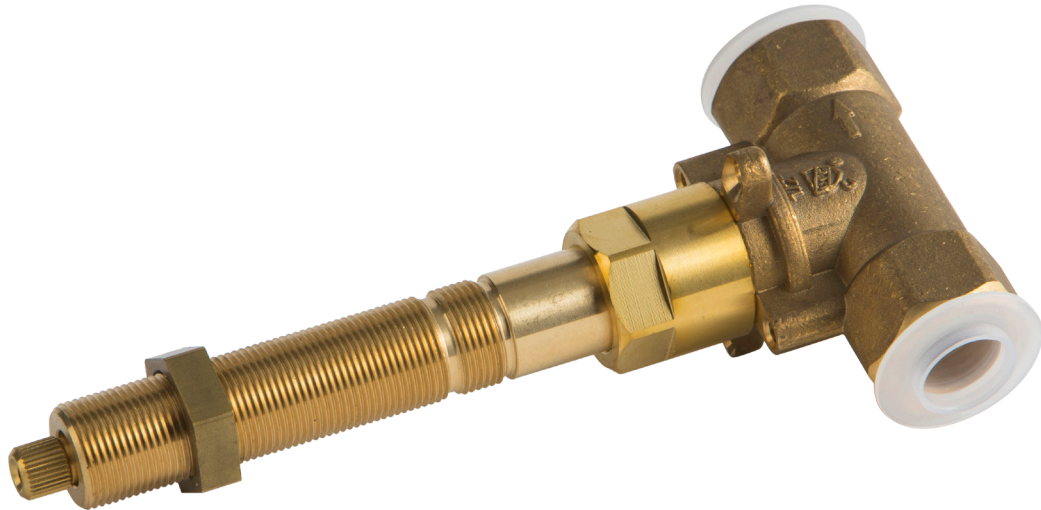
1/2" Female NPT

STANDARDS

ASSE 1016.ASME A112.18.1/CSA B123.1 Certified

CODES

CUPC Approved

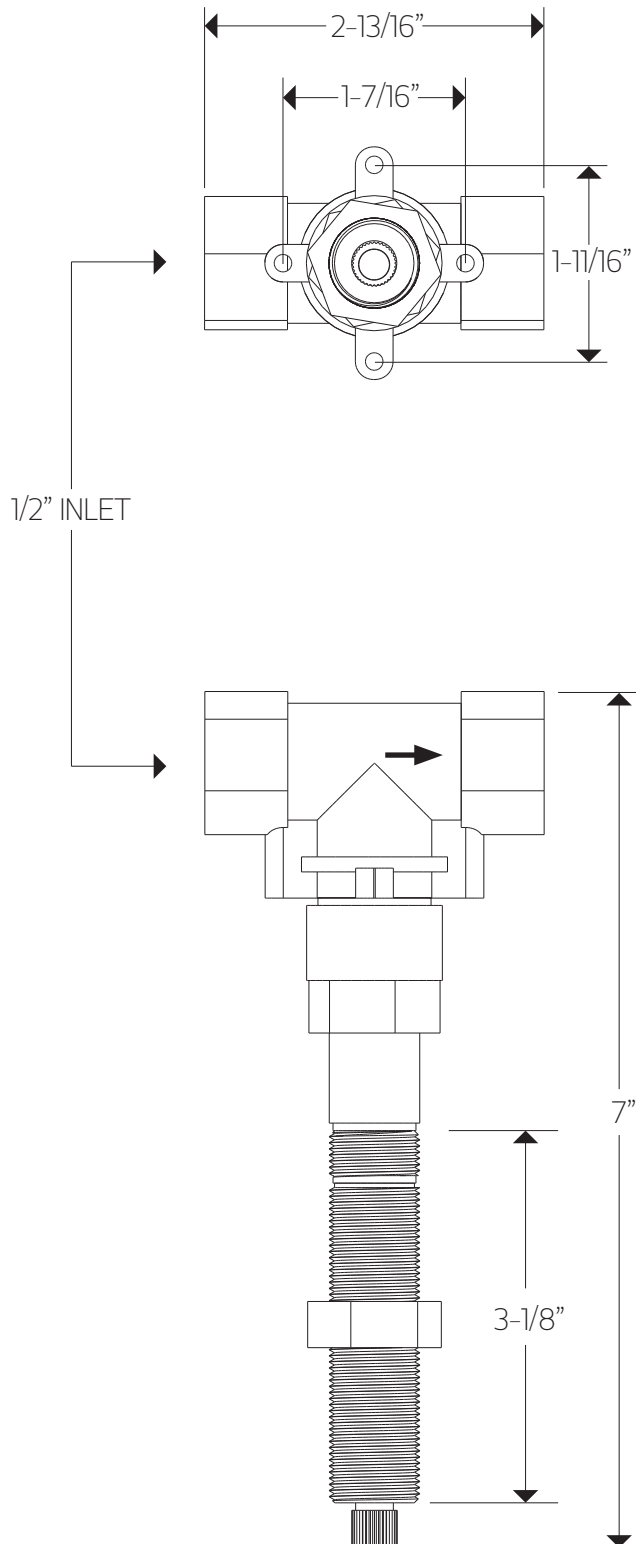


artos

F906A-V0

PRODUCT DIMENSIONS

1/2" volume control valve only

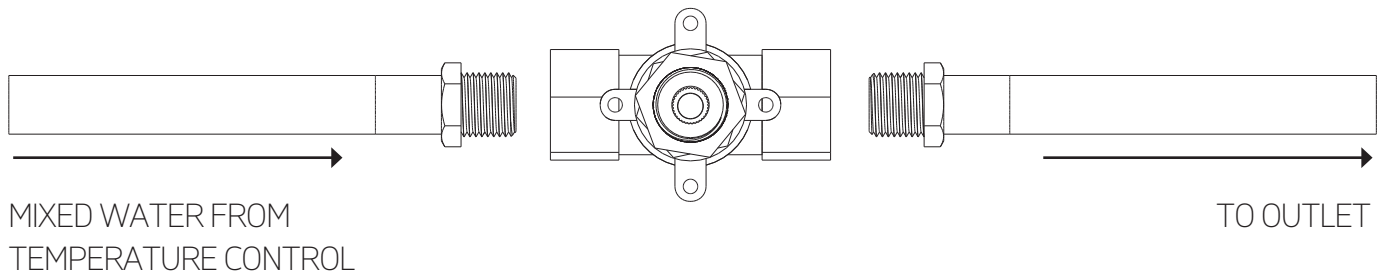


artos

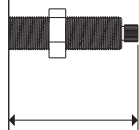
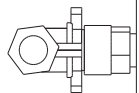
F906A-V0

1/2" volume control valve only

STEP 1 IMPORTANT: IF USING HEAT NEAR THE VALVE BODY PLEASE REMOVE CARTRIDGE.



STEP 2



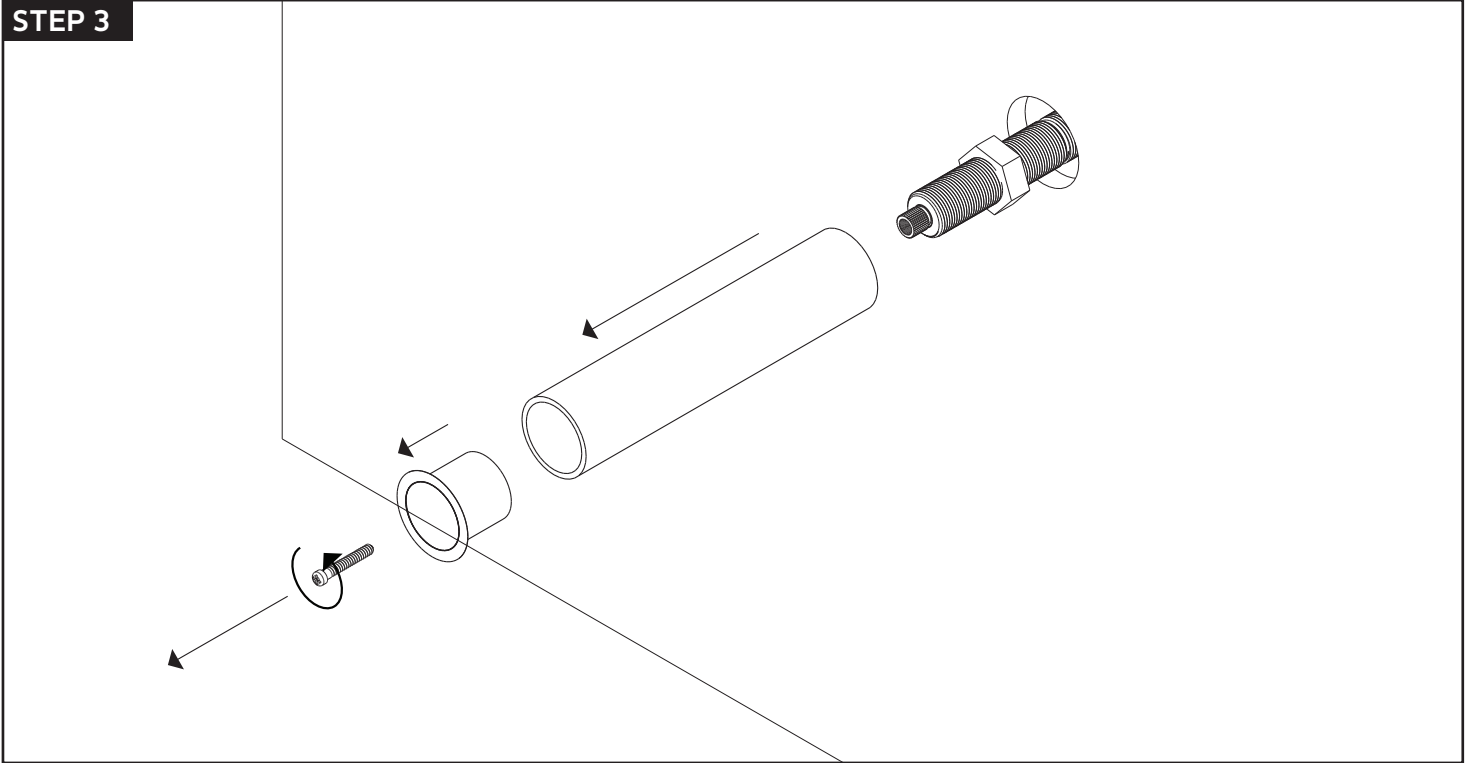
FRONT OF PLASTER GUARD
TO FINISH WALL SURFACE
MAX= 3"
MIN= 1"



1-1/2"
HOLE THROUGH
FINISHED WALL

INSTALLATION STEPS

STEP 3

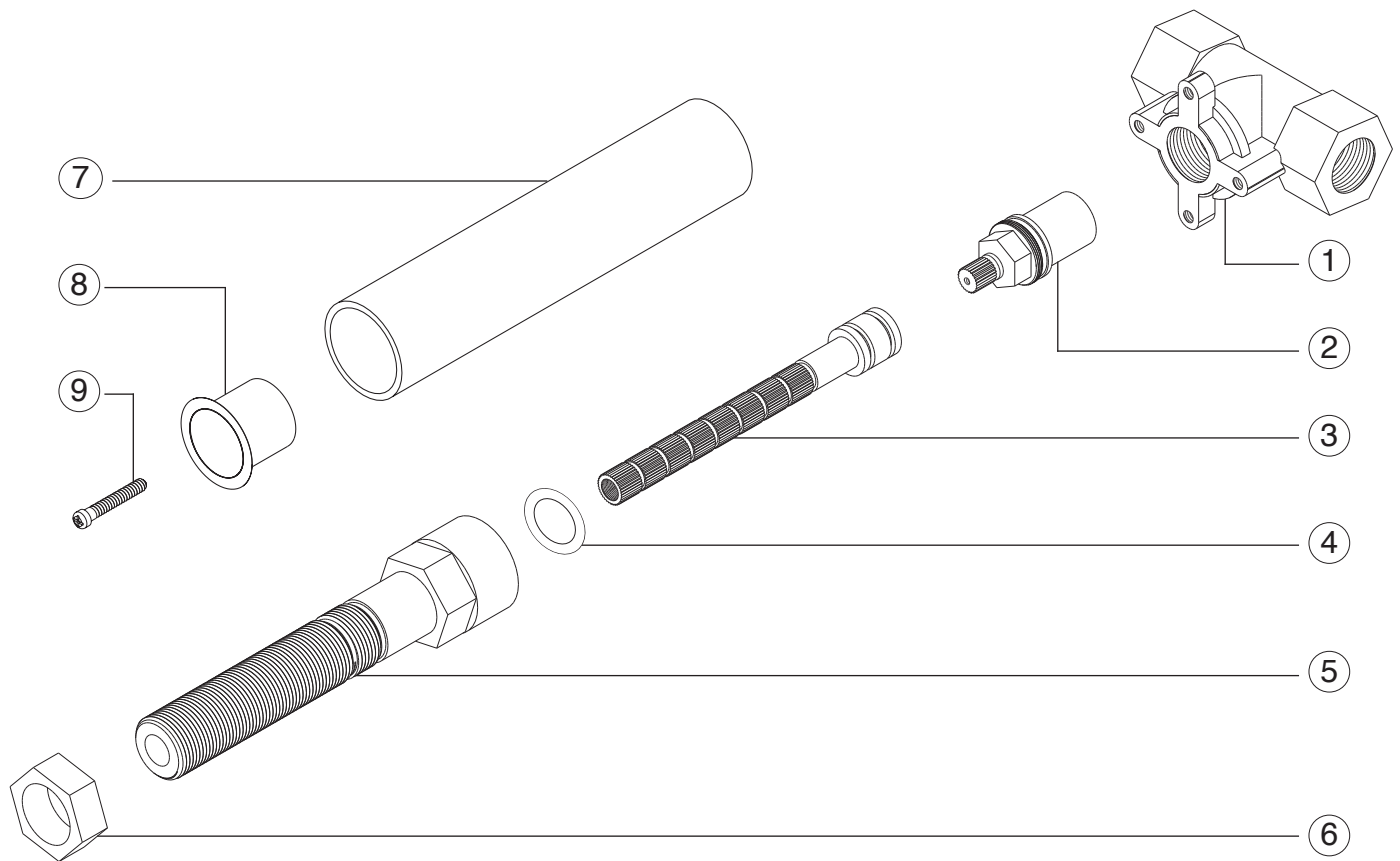


artos

F906A-V0

PARTS BREAKDOWN

1/2" volume control valve only



- ① VALVE BODY
- ② CARTRIDGE
- ③ HANDLE STEM
- ④ STEM WASHER
- ⑤ ESCUTCHEON STEM
- ⑥ PLATE SECURING NUT
- ⑦ PLASTER GUARD
- ⑧ PLASTER GUARD CAP
- ⑨ PLASTER GUARD SCREW