

artos

F906A-9TK

INSTALLATION GUIDE

volume control trim kit only

r+s

BRUSHED NICKEL(BN)



CHROME(CH)



BLACK(BK)



artos

F906A-9TK

volume control trim kit only
r+s

OPERATING SPECIFICATIONS

for associated valve | F906A-V0 or F906A34-V0



OPERATING PRESSURE

Minimum: 10 psi
Maximum: 125 psi

FLOW CAPACITY

(F906A-V0) 5.6USGPM@60 psi
or
(F906A34-V0) 7.1USGPM@60 psi

INLET/OUTLET

(F906A-V0) 1/2" Female NPT
or
(F906A34-V0) 3/4" Female NPT

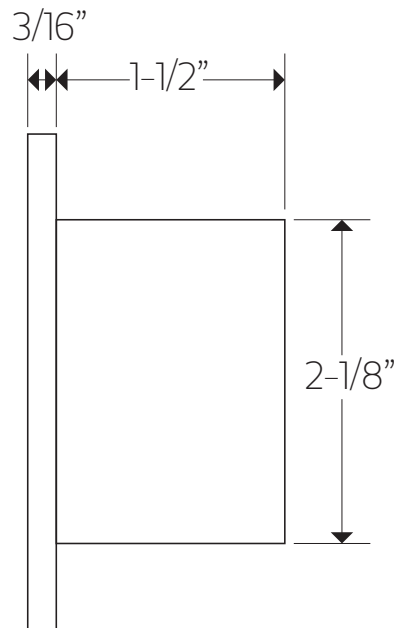
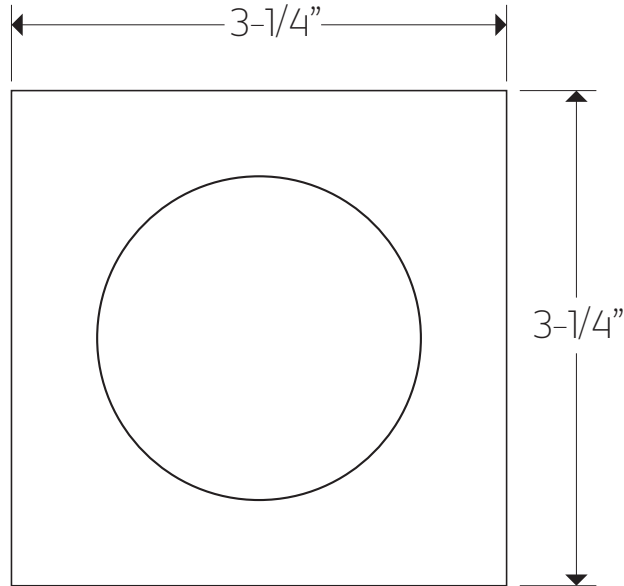
artos

F906A-9TK

PRODUCT DIMENSIONS

volume control trim kit only

r+s



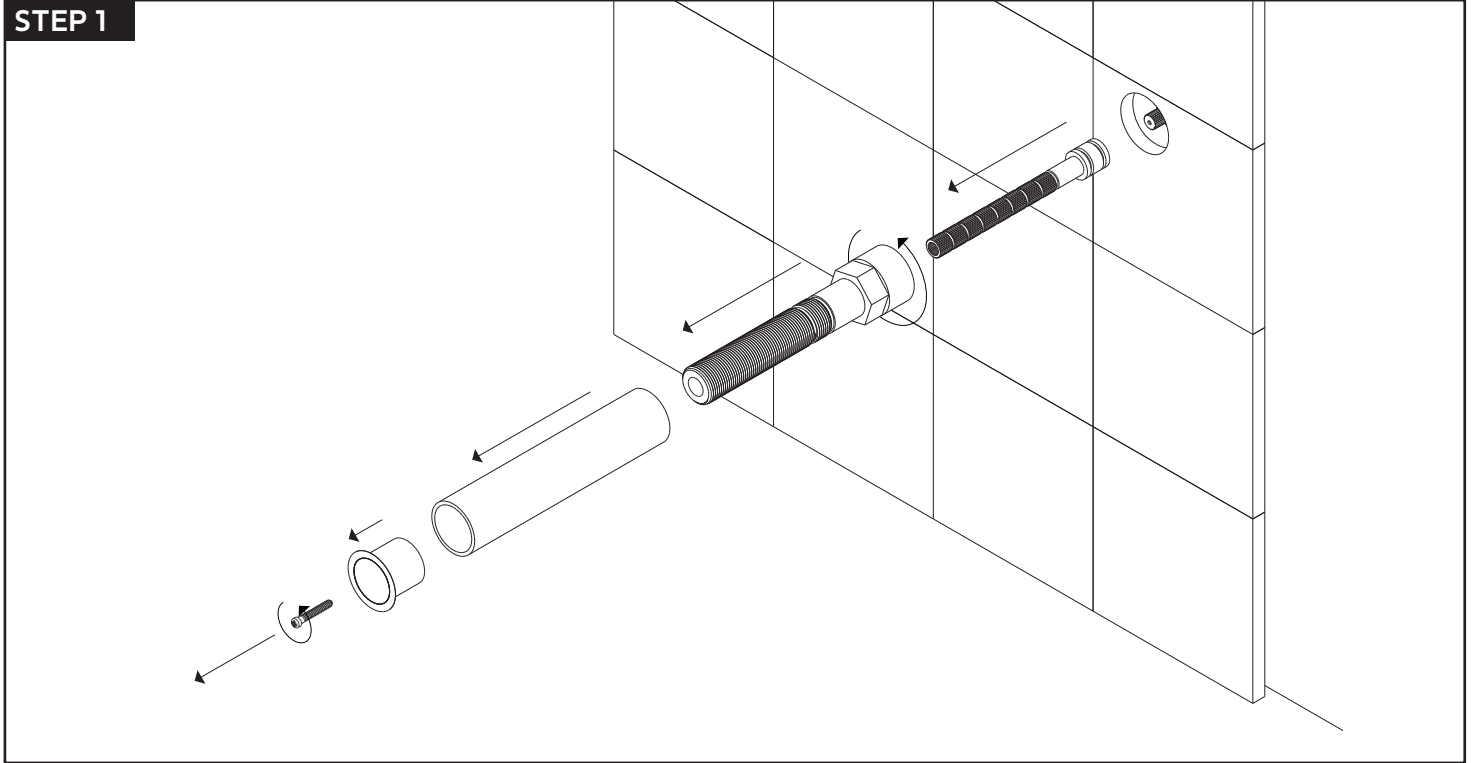
artos

F906A-9TK

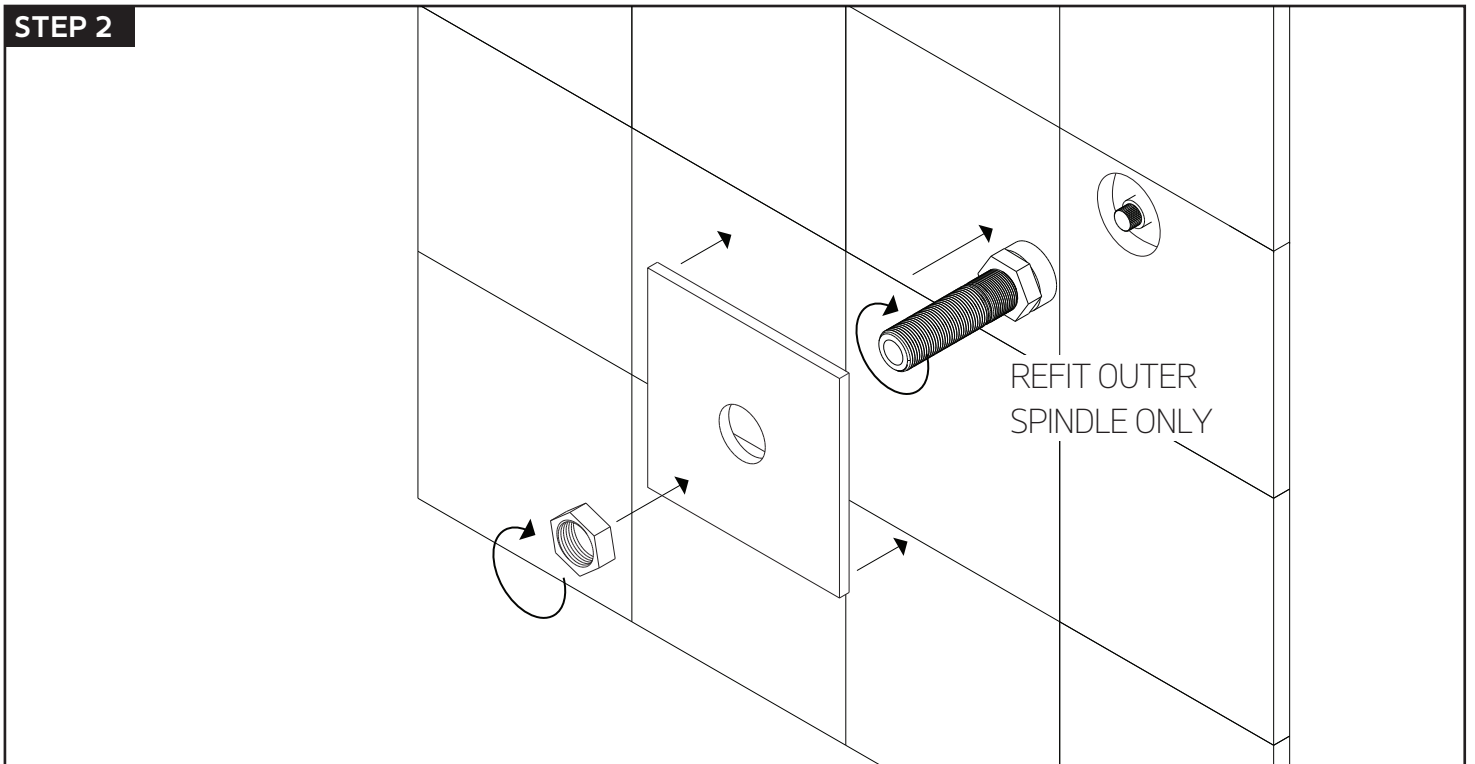
volume control trim kit only

r+s

STEP 1

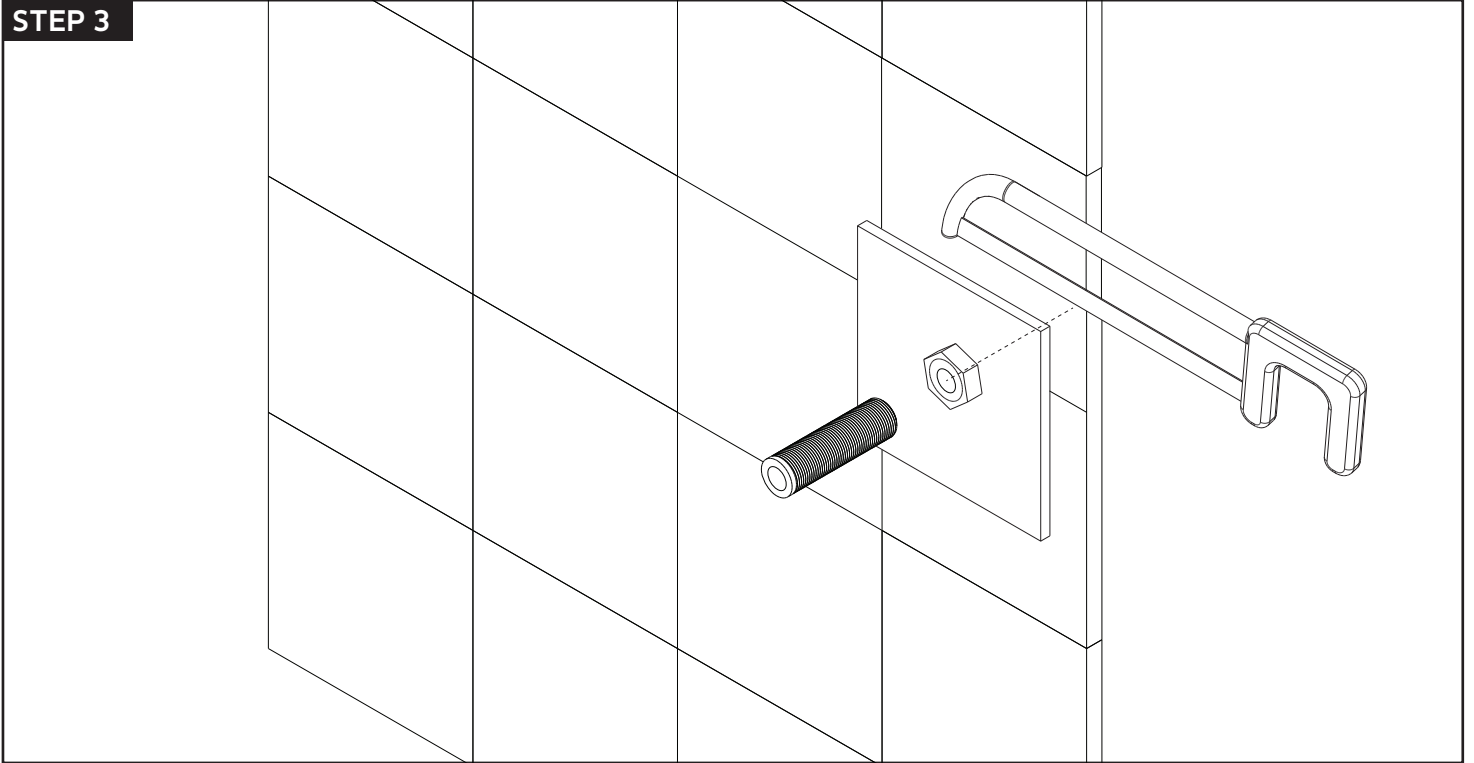


STEP 2

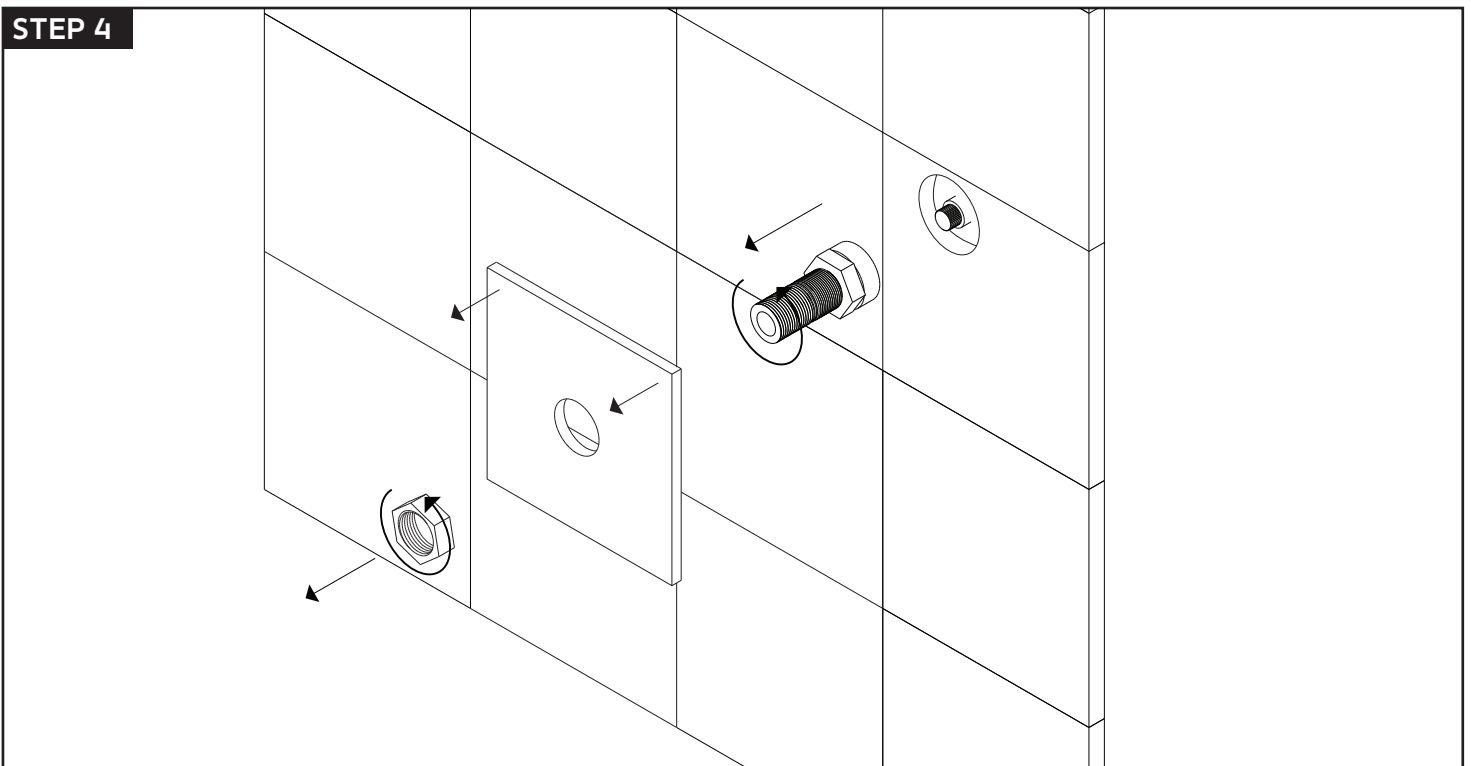


INSTALLATION STEPS

STEP 3



STEP 4



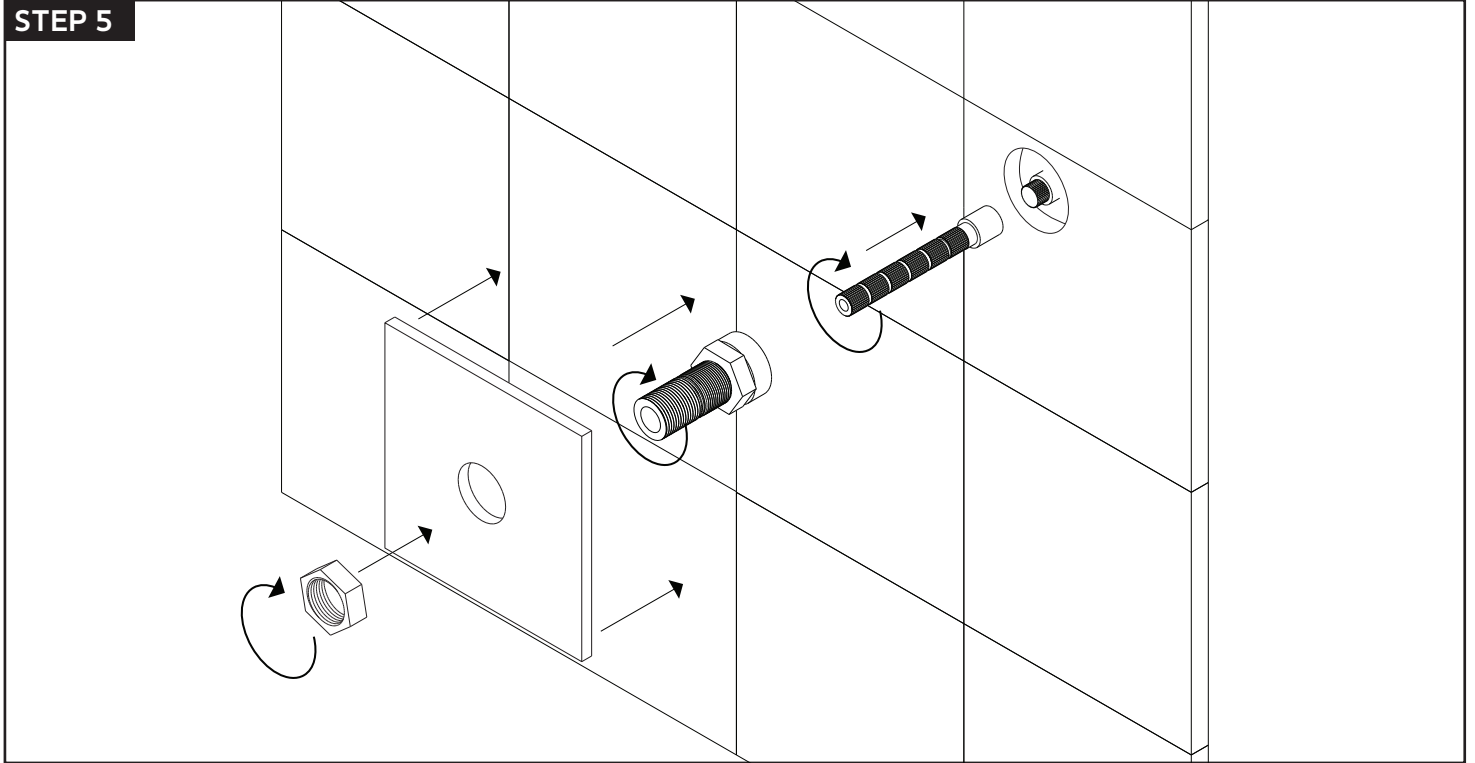
artos

F906A-9TK

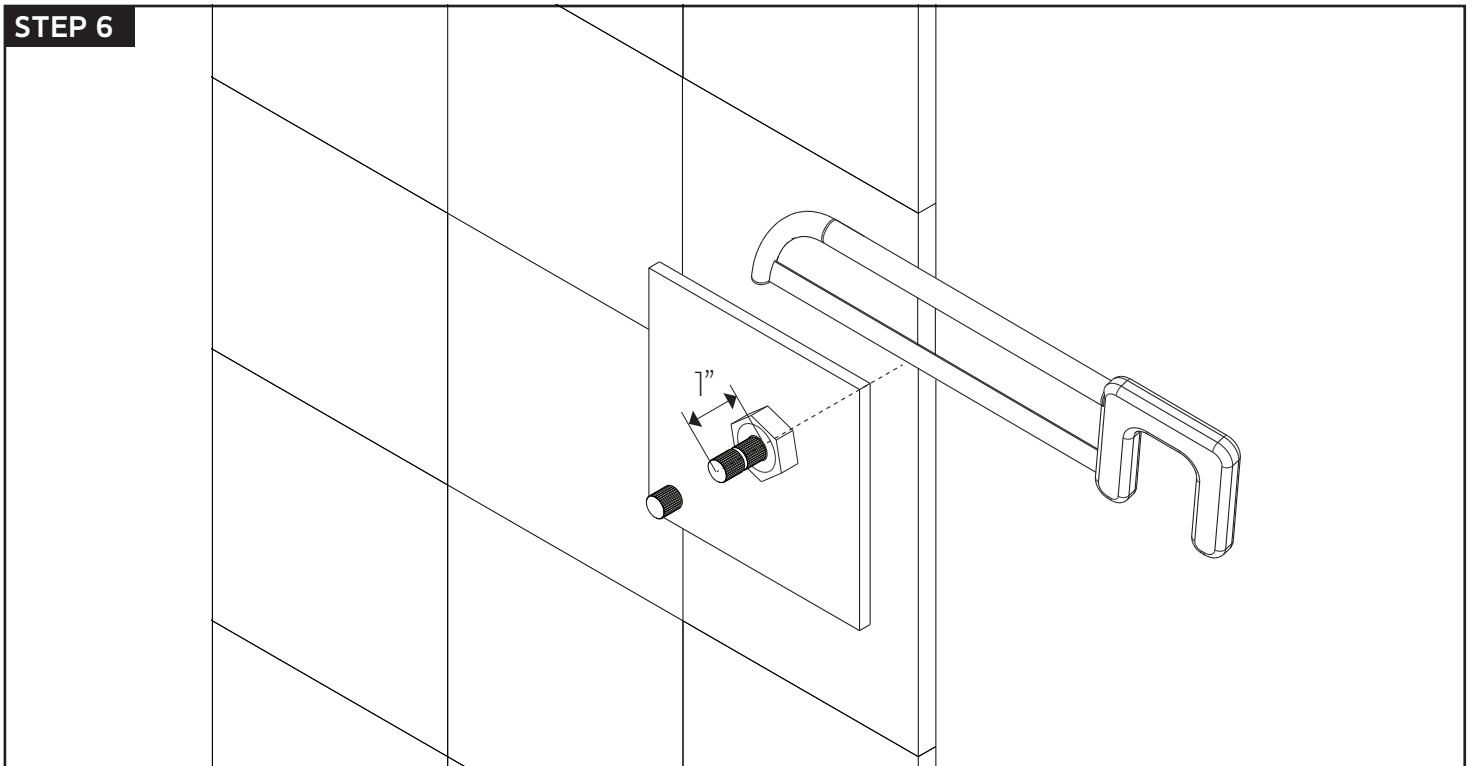
volume control trim kit only

r+s

STEP 5

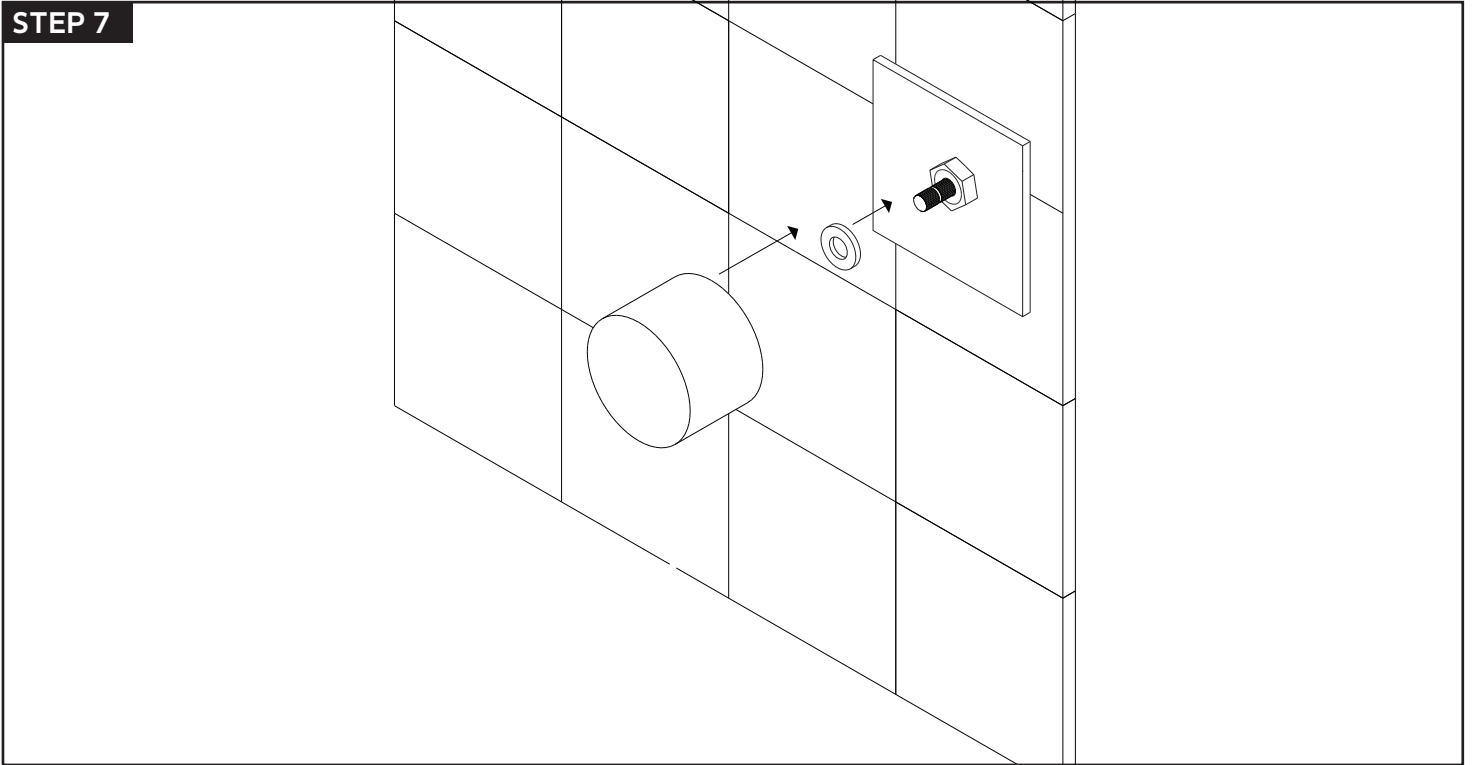


STEP 6

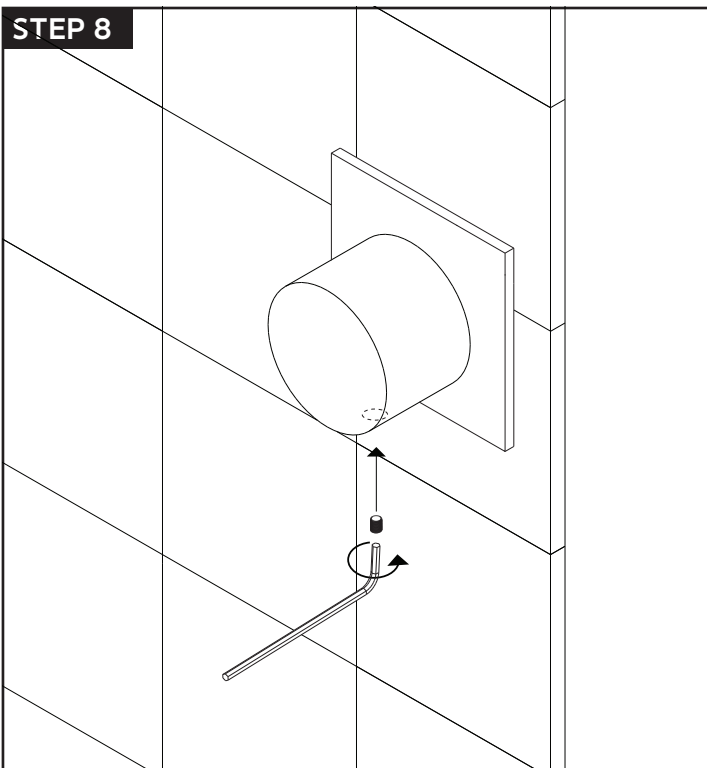


INSTALLATION STEPS

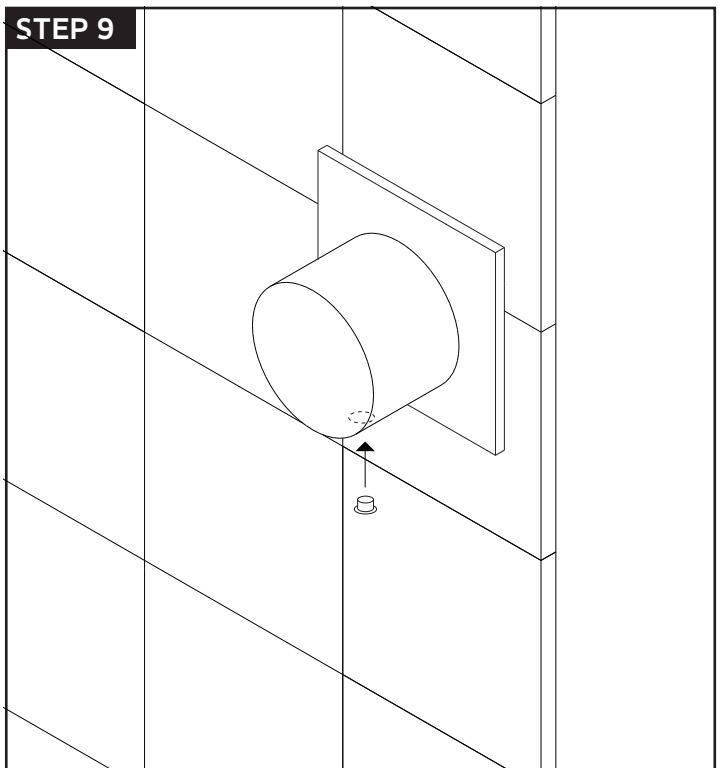
STEP 7



STEP 8



STEP 9



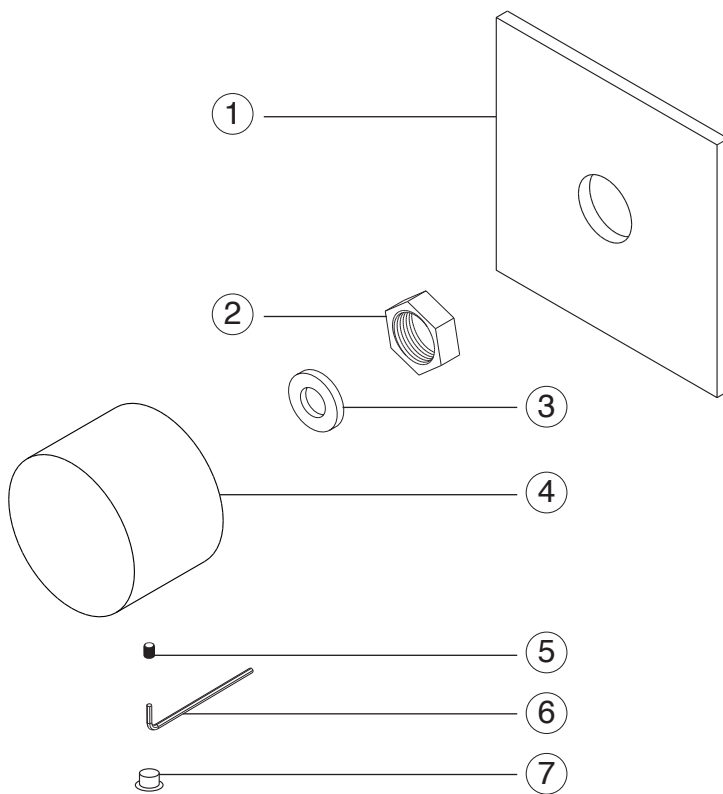
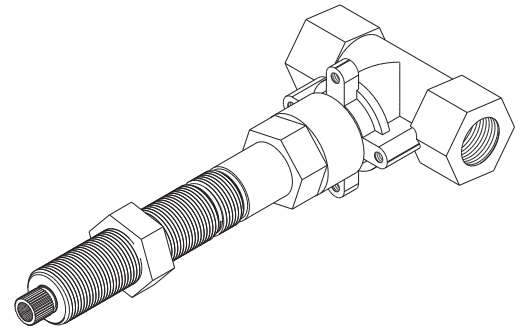
artos

F906A-9TK

PARTS BREAKDOWN

volume control trim kit only

r+s



- ① ESCUTCHEON
- ② LOCKING NUT
- ③ NYLON WASHER
- ④ HANDLE
- ⑤ SET SCREW
- ⑥ ALLEN WRENCH
- ⑦ HANDLE HOLE CAP