

# artos

F906A-6TK

INSTALLATION GUIDE

volume control trim kit only  
squ+letterbox

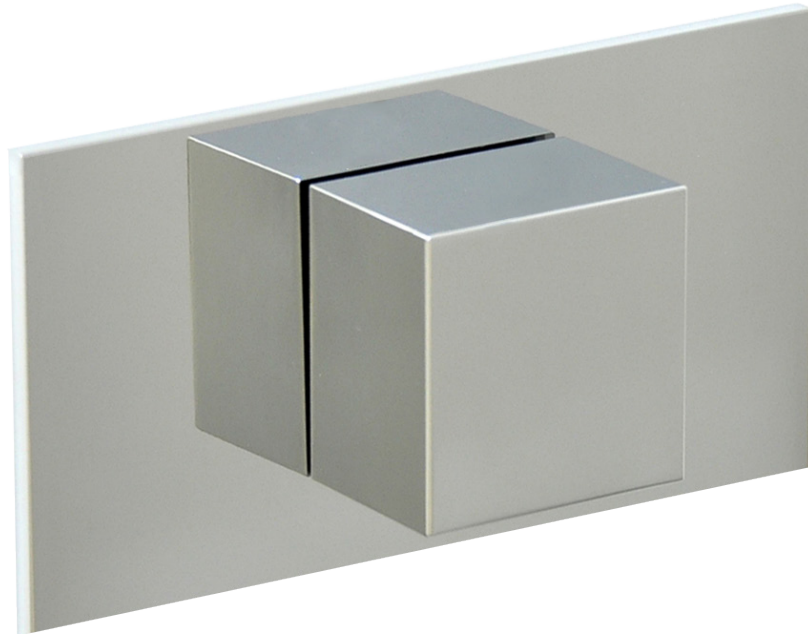
BRUSHED NICKEL(BN)



CHROME(CH)



BLACK(BK)



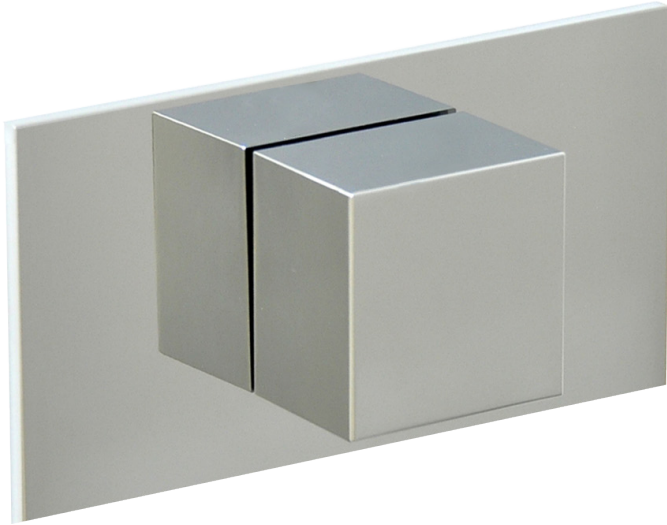
# artos

## F906A-6TK

volume control trim kit only  
squ+letterbox

## OPERATING SPECIFICATIONS

for associated valve | F906A-V0 or F906A34-V0



### OPERATING PRESSURE

Minimum: 10 psi  
Maximum: 125 psi

### FLOW CAPACITY

(F906A-V0) 5.6USGPM@60 psi  
or  
(F906A34-V0) 7.1USGPM@60 psi

### INLET/OUTLET

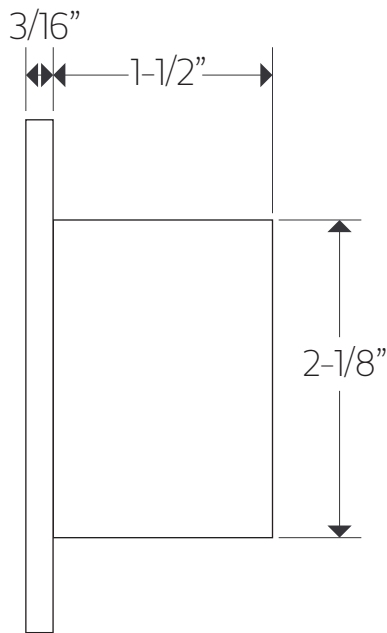
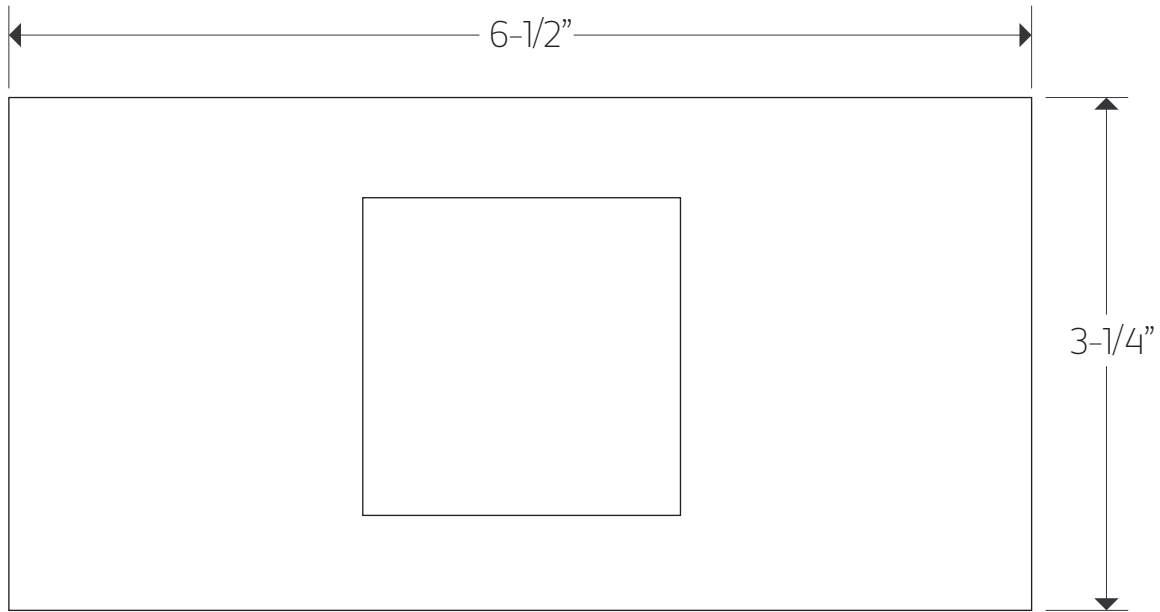
(F906A-V0) 1/2" Female NPT  
or  
(F906A34-V0) 3/4" Female NPT

# artos

F906A-6TK

**PRODUCT DIMENSIONS**

volume control trim kit only  
squ+letterbox

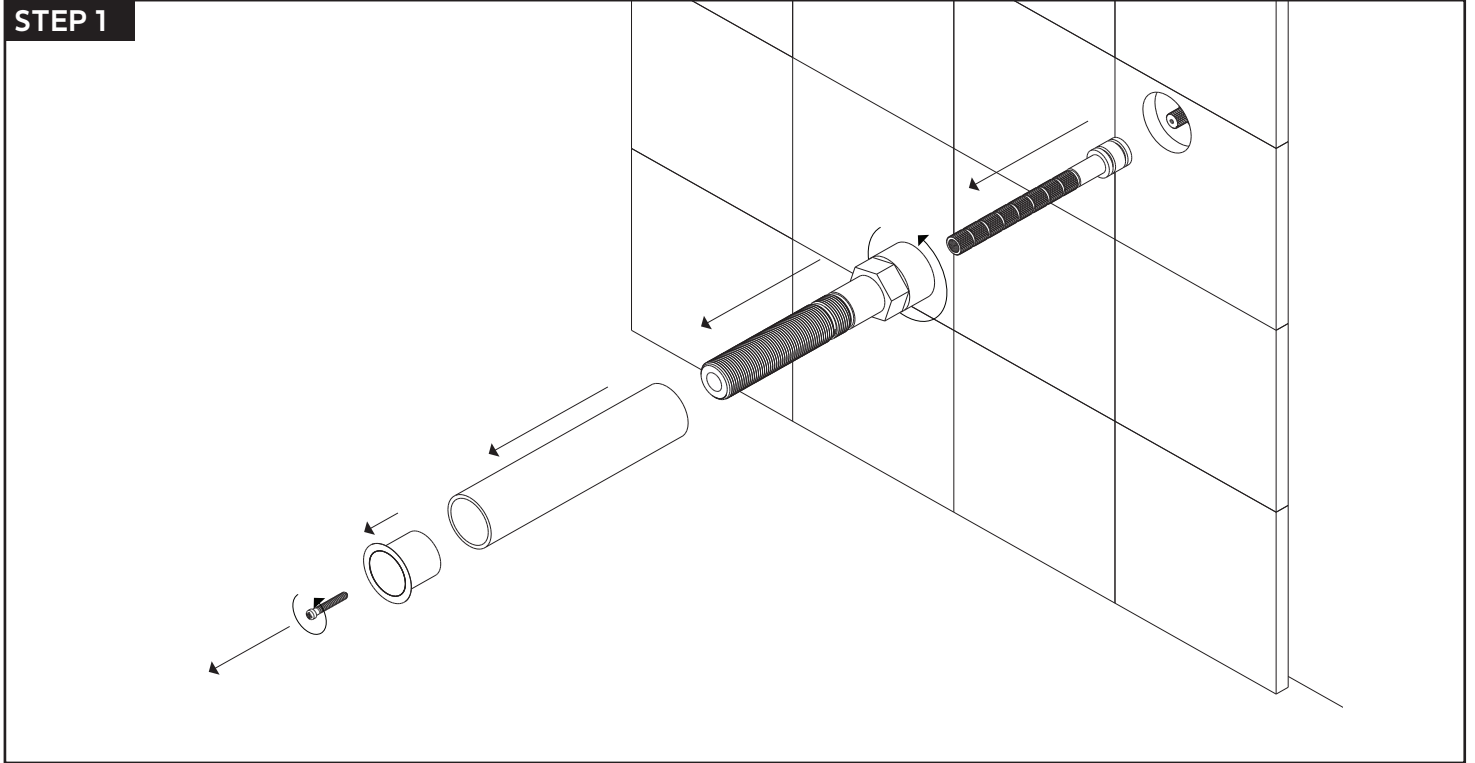


# artos

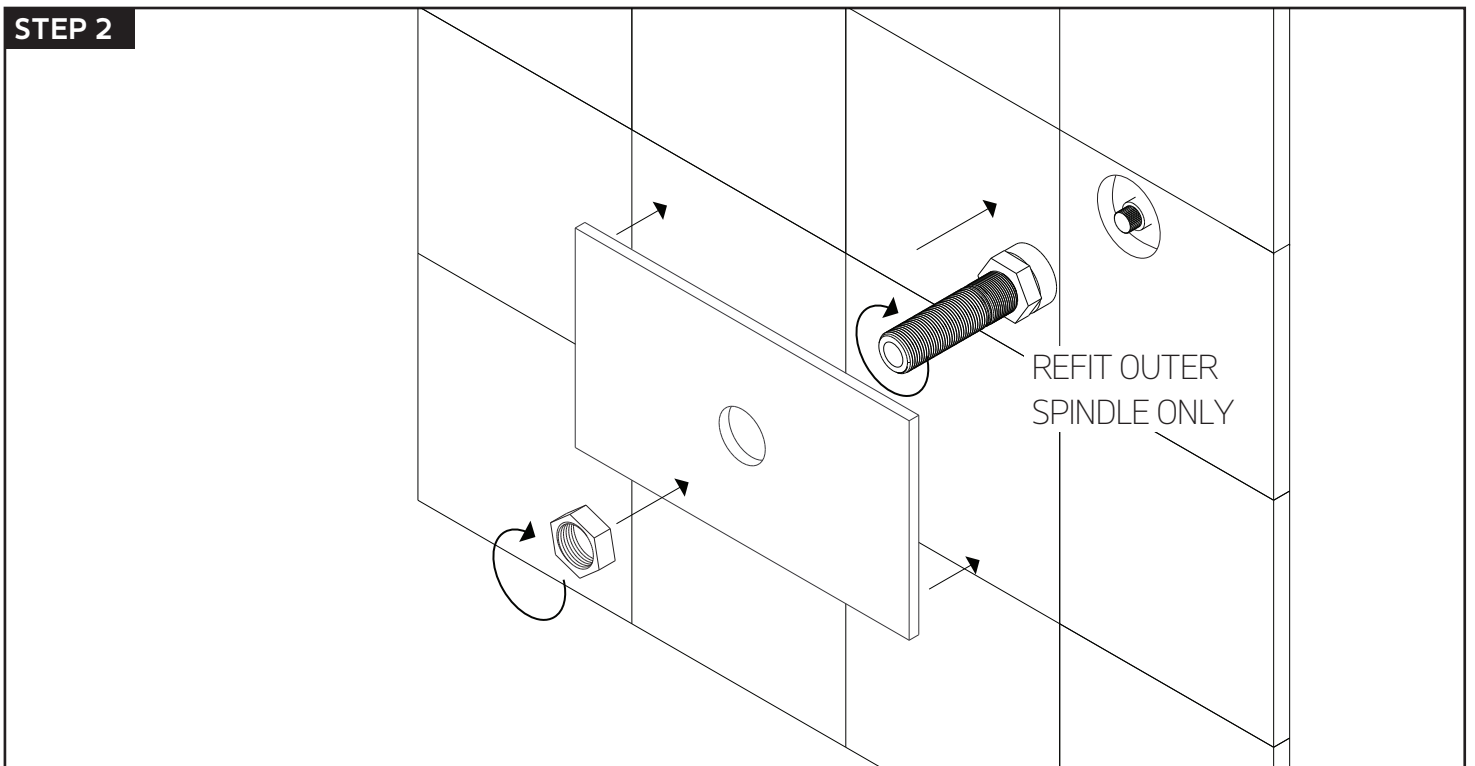
## F906A-6TK

volume control trim kit only  
squ+letterbox

### STEP 1

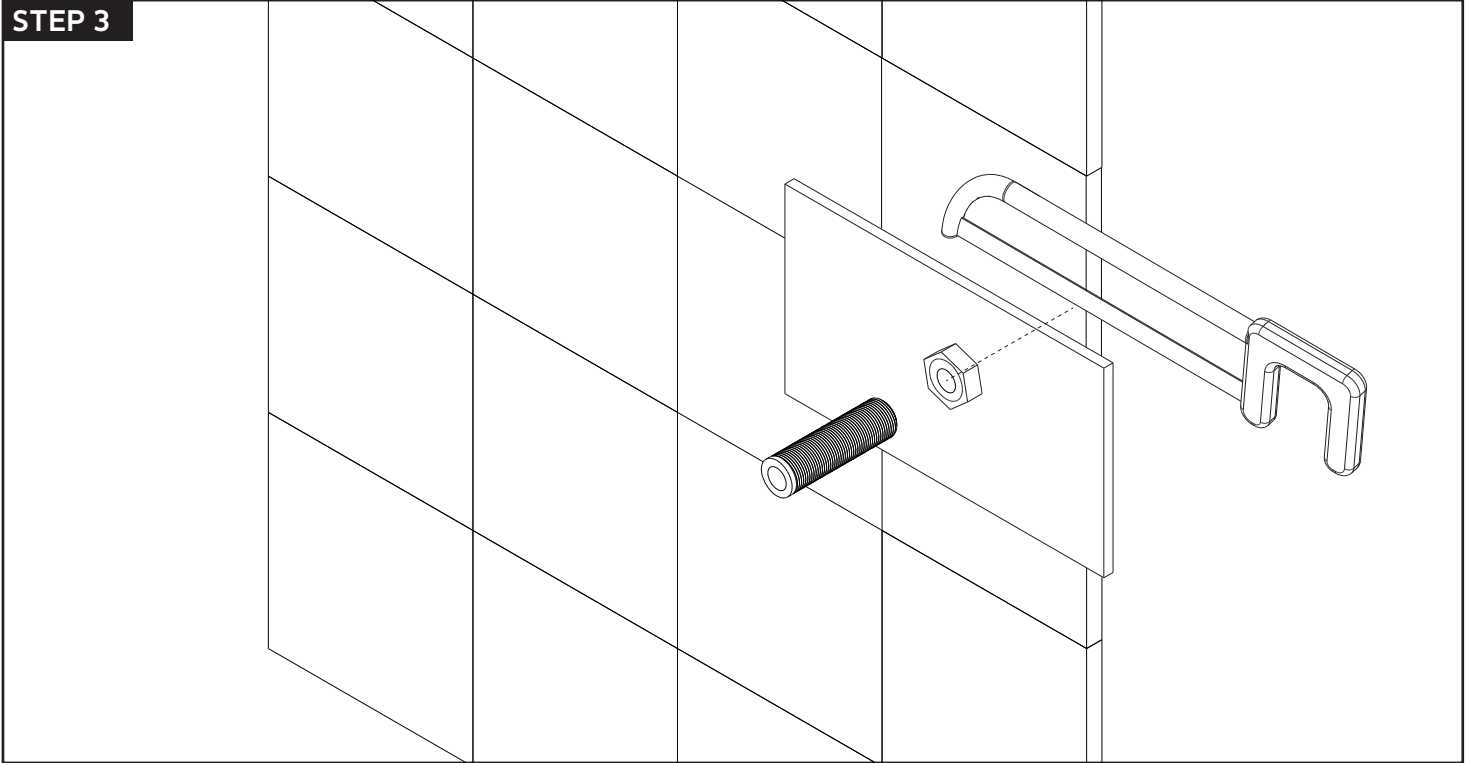


### STEP 2

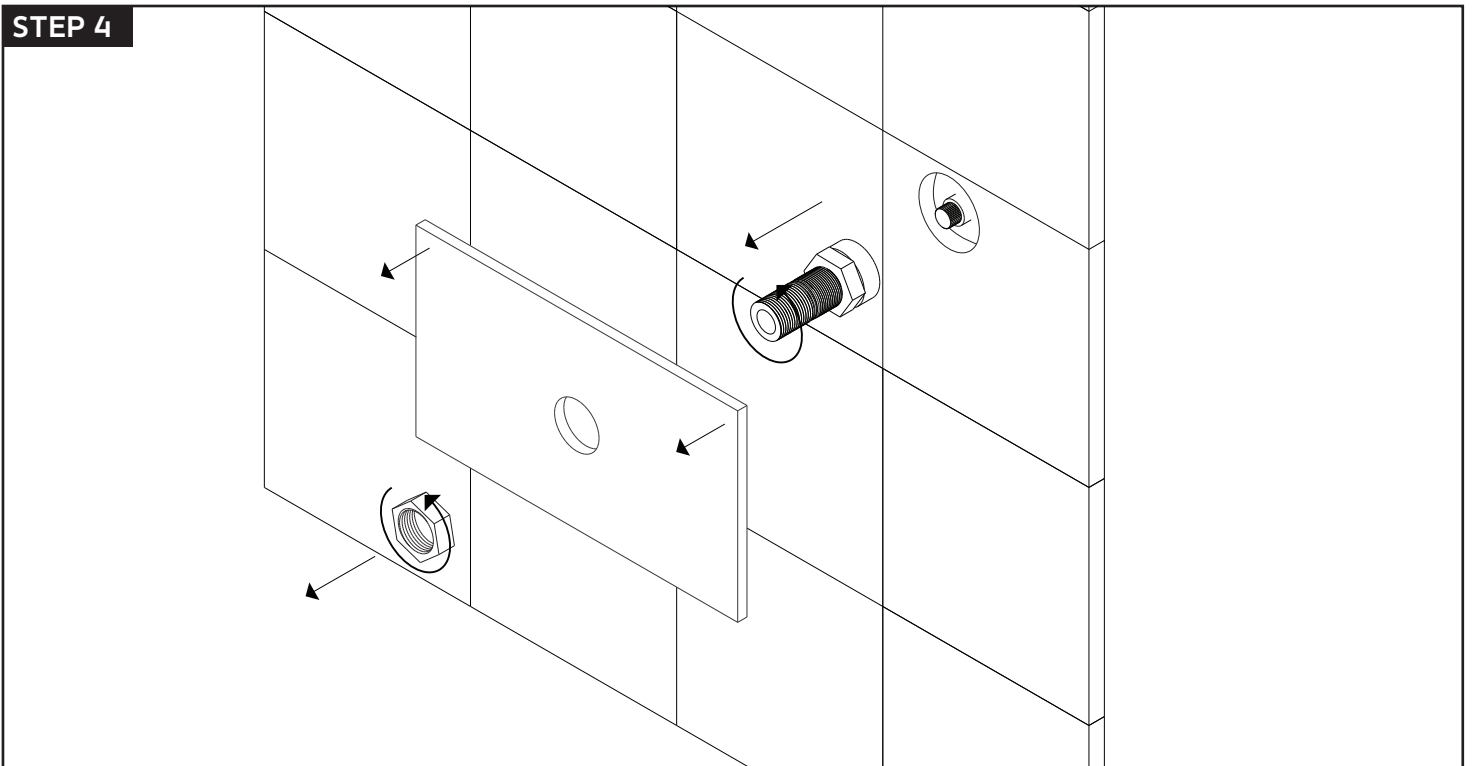


# INSTALLATION STEPS

## STEP 3



## STEP 4

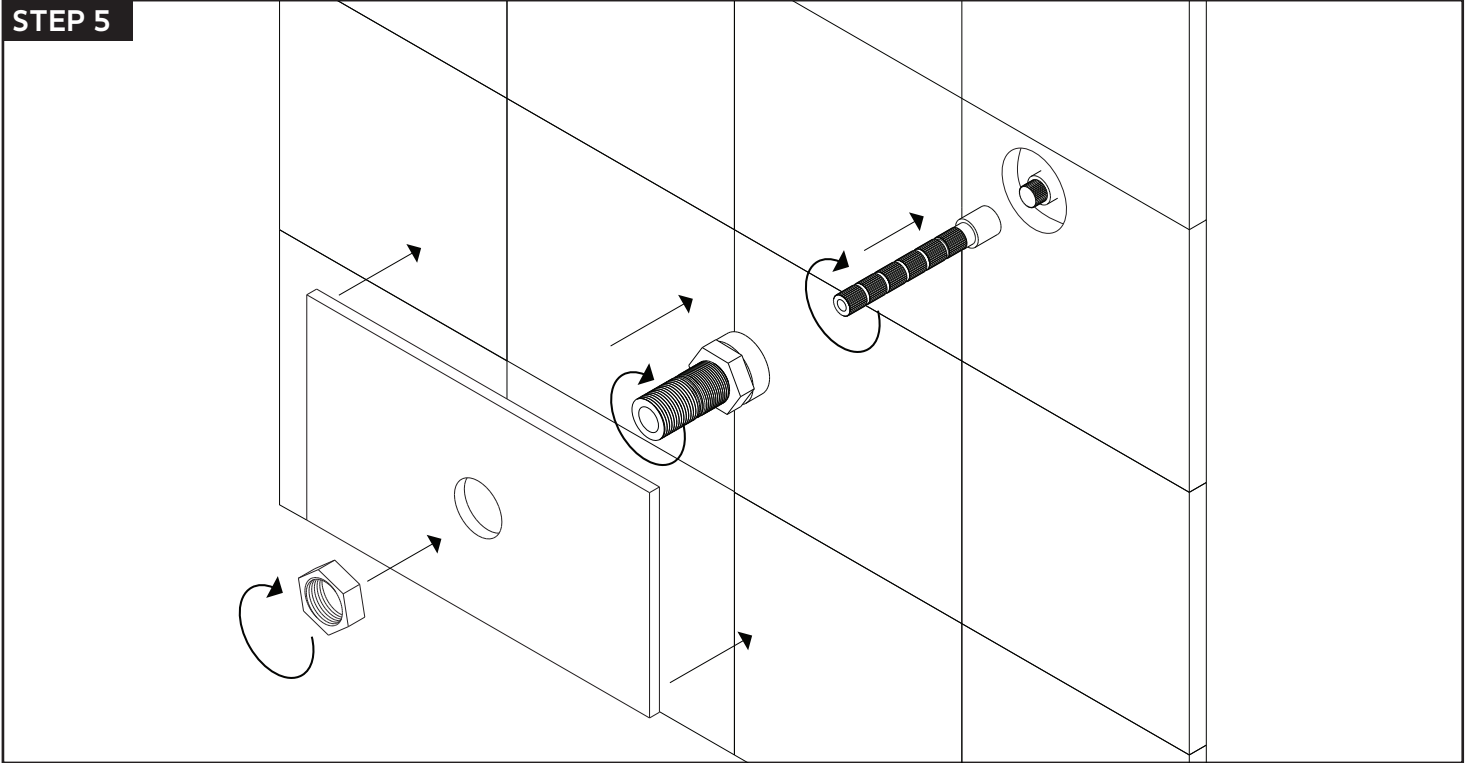


# artos

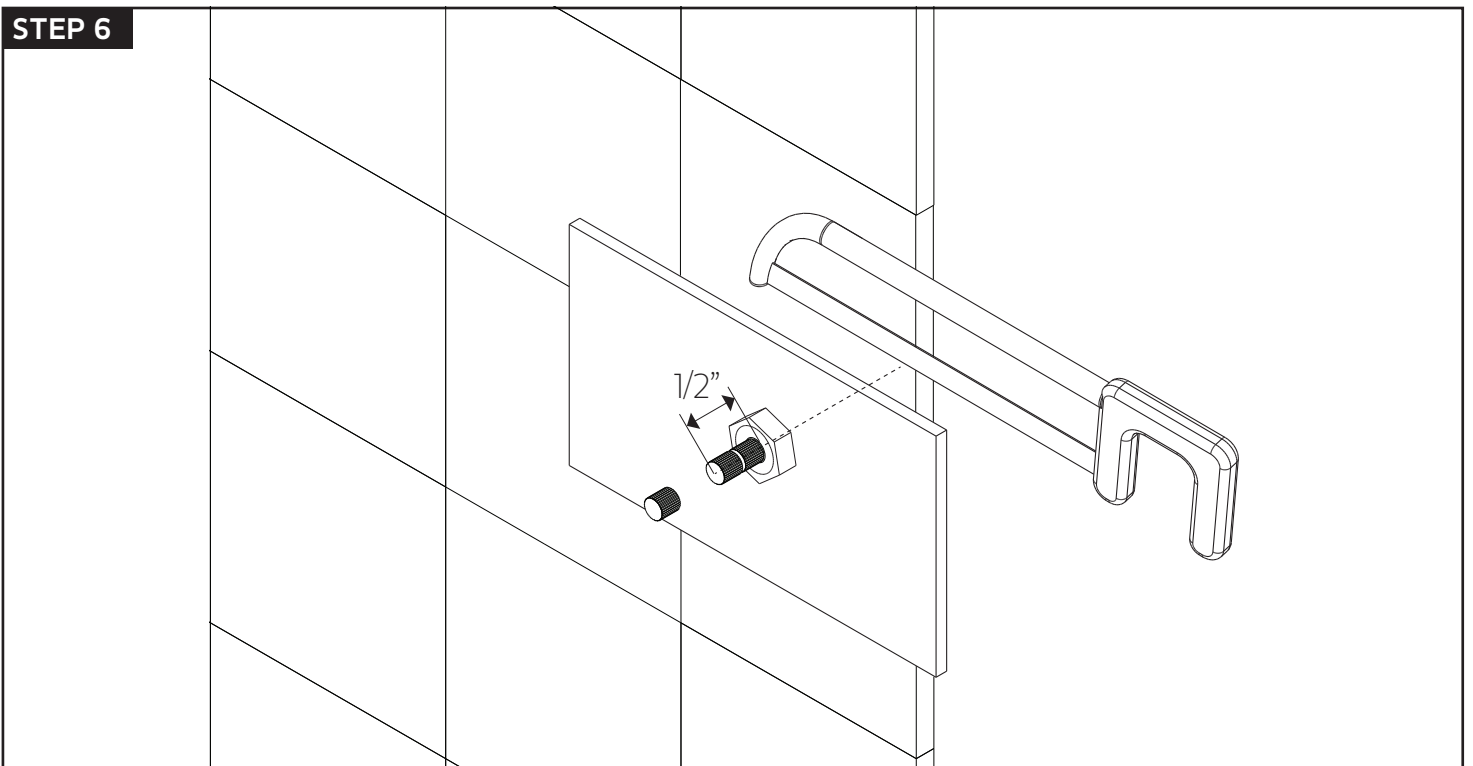
F906A-6TK

volume control trim kit only  
squ+letterbox

## STEP 5

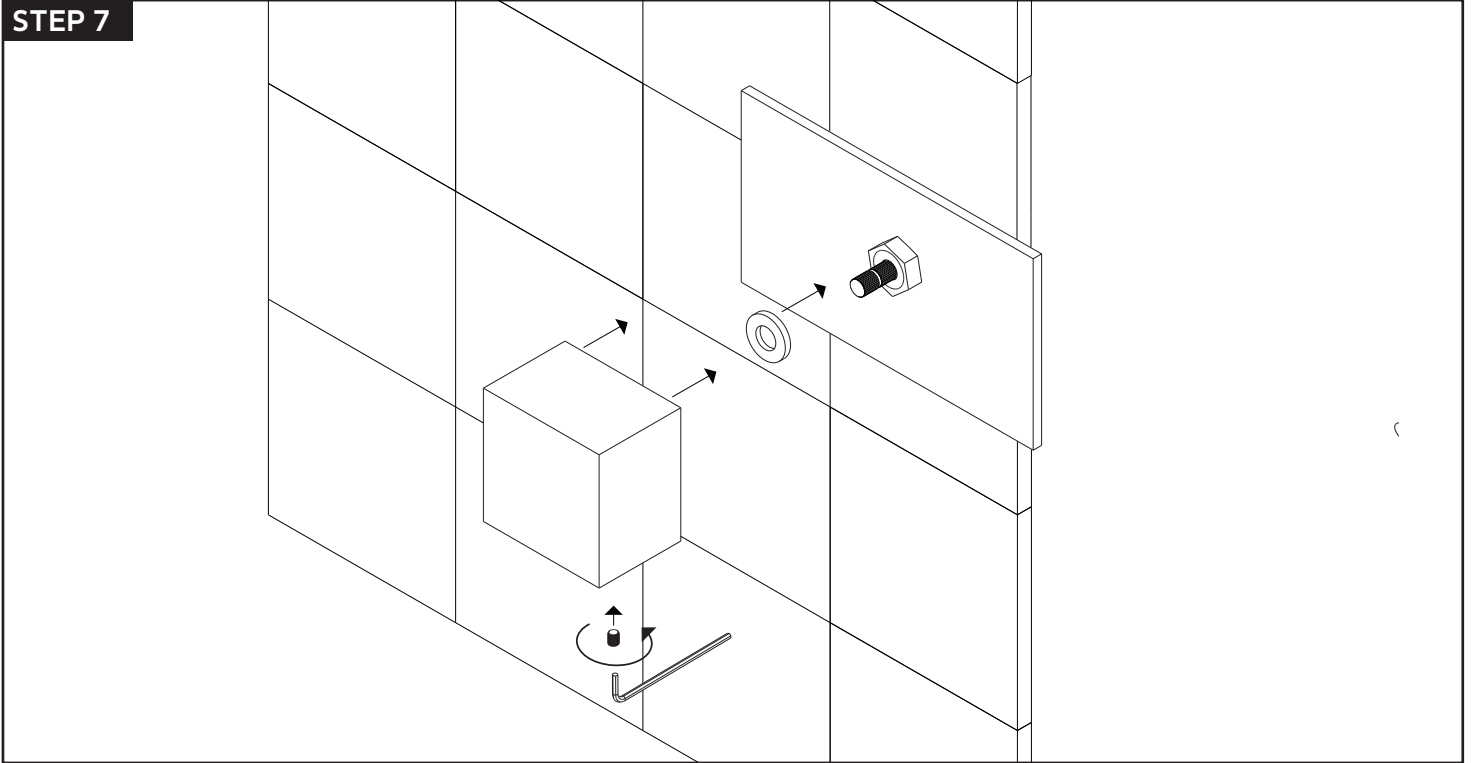


## STEP 6



# INSTALLATION STEPS

## STEP 7

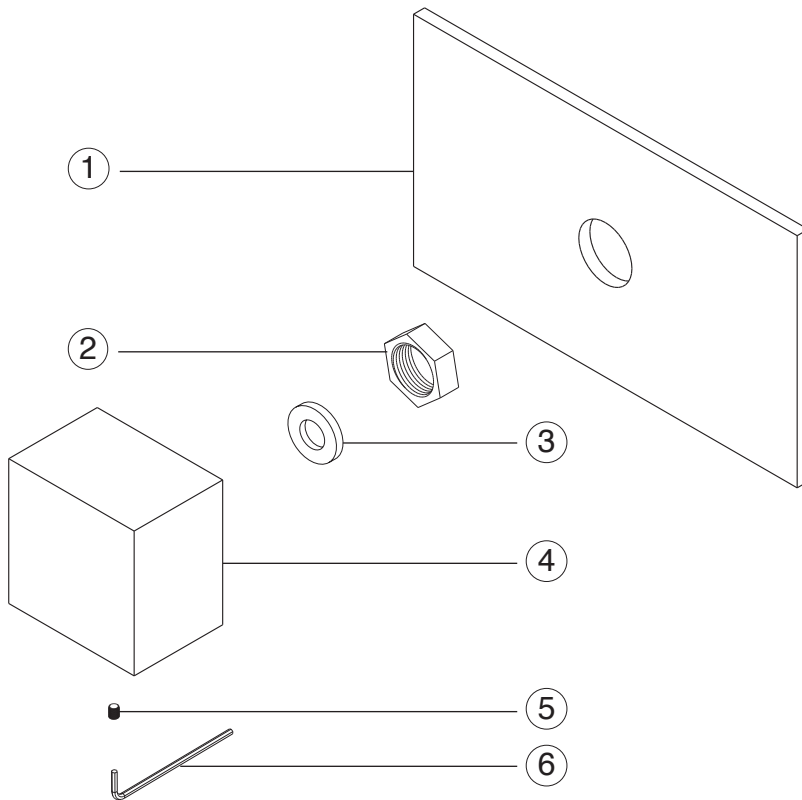
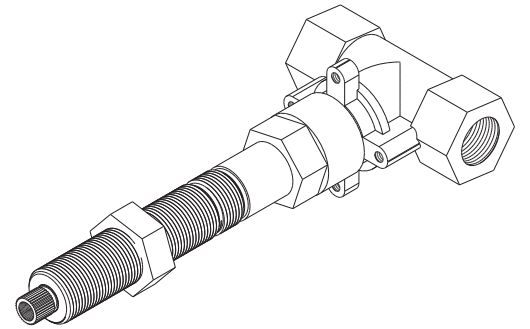


# artos

F906A-6TK

## PARTS BREAKDOWN

volume control trim kit only  
squ+letterbox



- ① ESCUTCHEON
- ② LOCKING NUT
- ③ NYLON WASHER
- ④ HANDLE
- ⑤ ALLEN WRENCH
- ⑥ SET SCREW