

# artos<sup>®</sup>

F905-2

INSTALLATION GUIDE

body jet rnd

BRUSHED NICKEL(BN)



CHROME(CH)



BLACK (BK)



# artos<sup>®</sup>

F905-2

body jet rnd

## OPERATING SPECIFICATIONS



### FEATURES

Easy Clean Nozzles  
70 Degree Rotation

### OPERATING PRESSURE

Minimum: 15 psi  
Maximum: 75 psi  
Above 90psi it may be necessary to  
install a pressure reducer

### OPERATING TEMPERATURE

Maximum: 176°

### FLOW RATE

1.8 USGPM

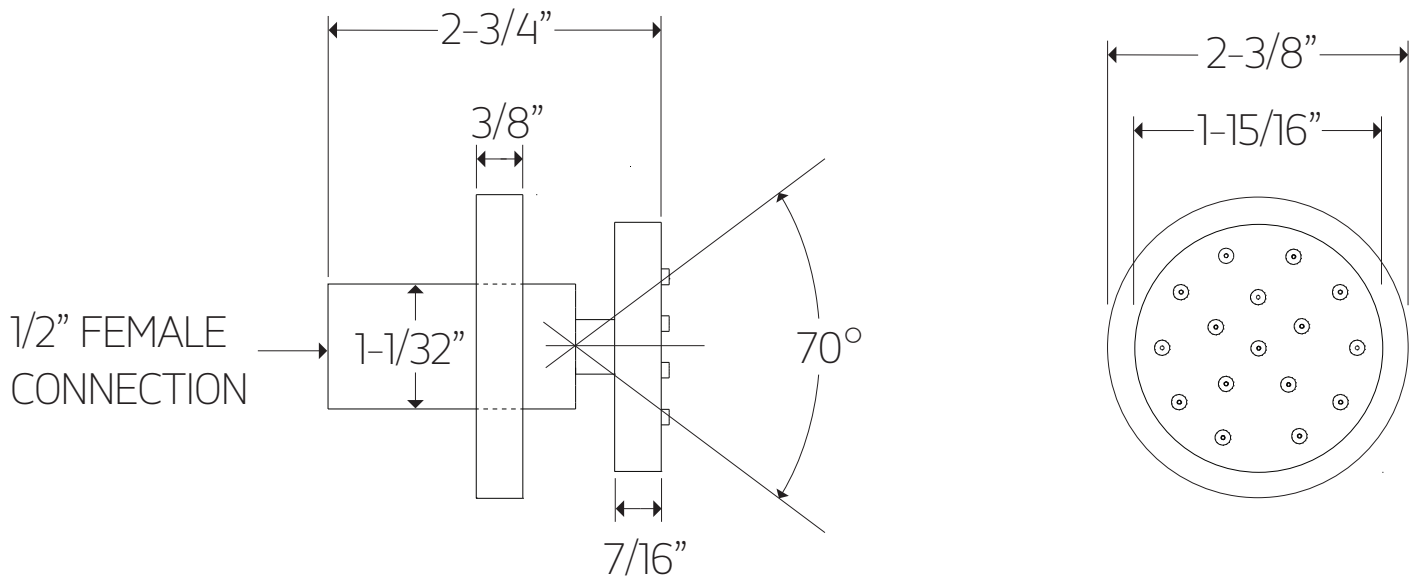
### INLET/OUTLET

1/2" Female

### REQUIREMENTS

This unit requires a control

body jet rnd

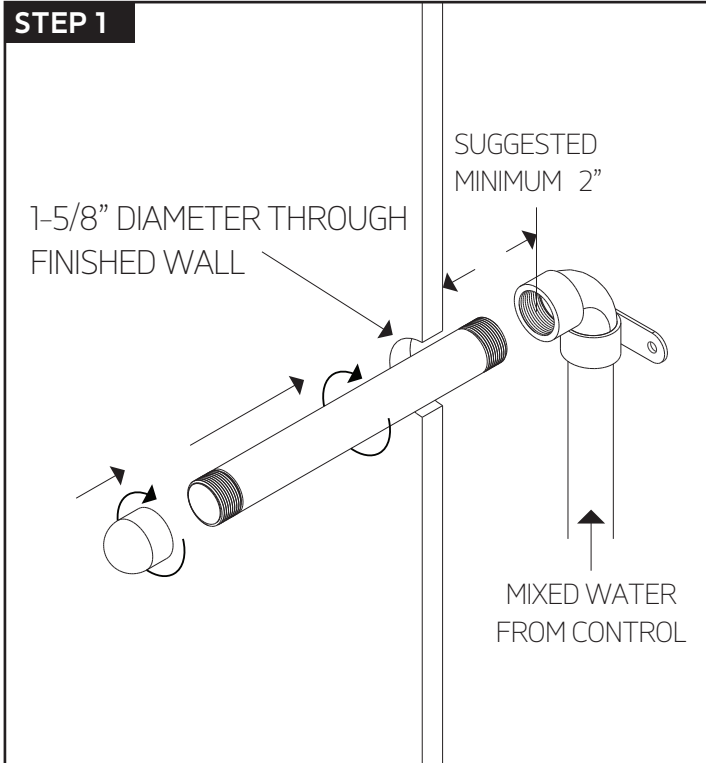


# artos<sup>®</sup>

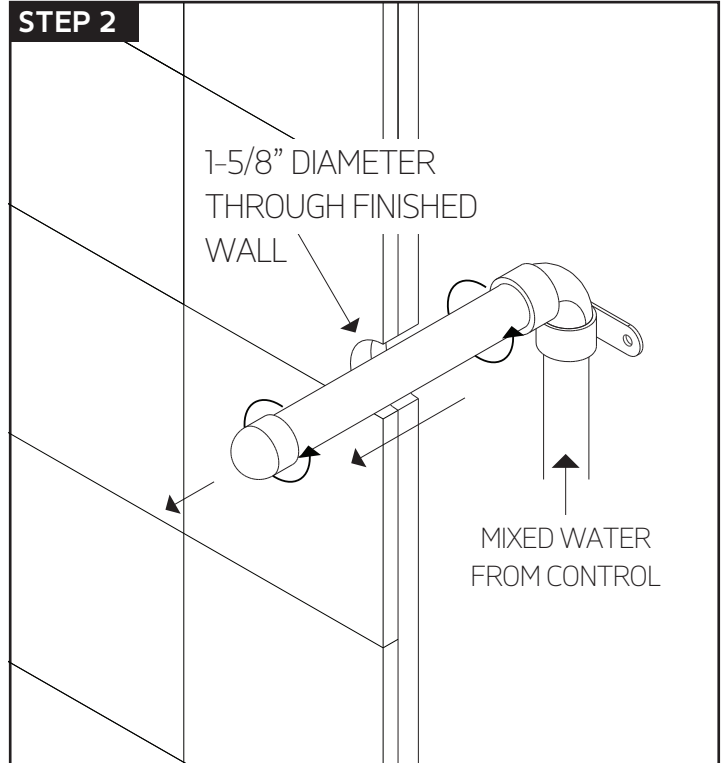
F905-2

body jet rnd

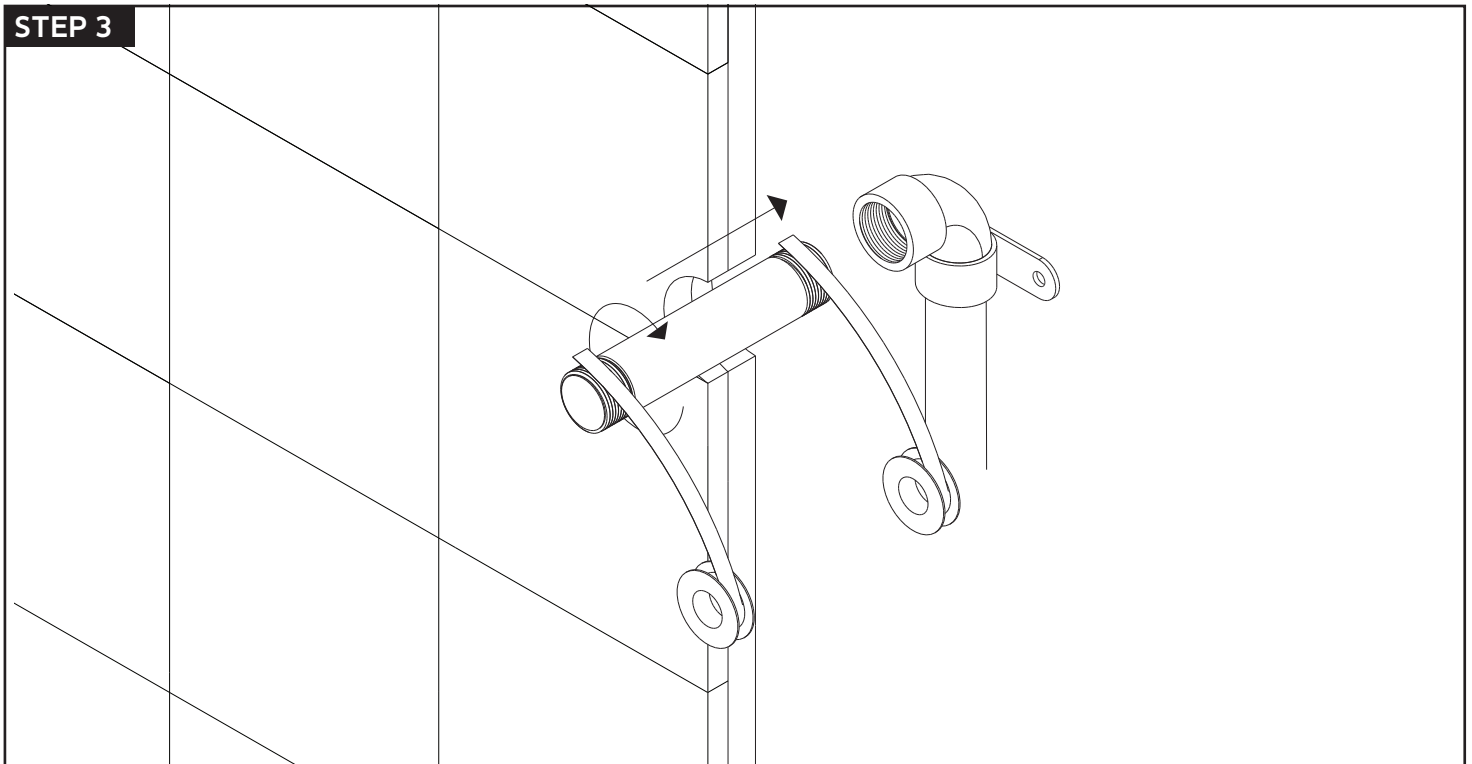
## STEP 1



## STEP 2

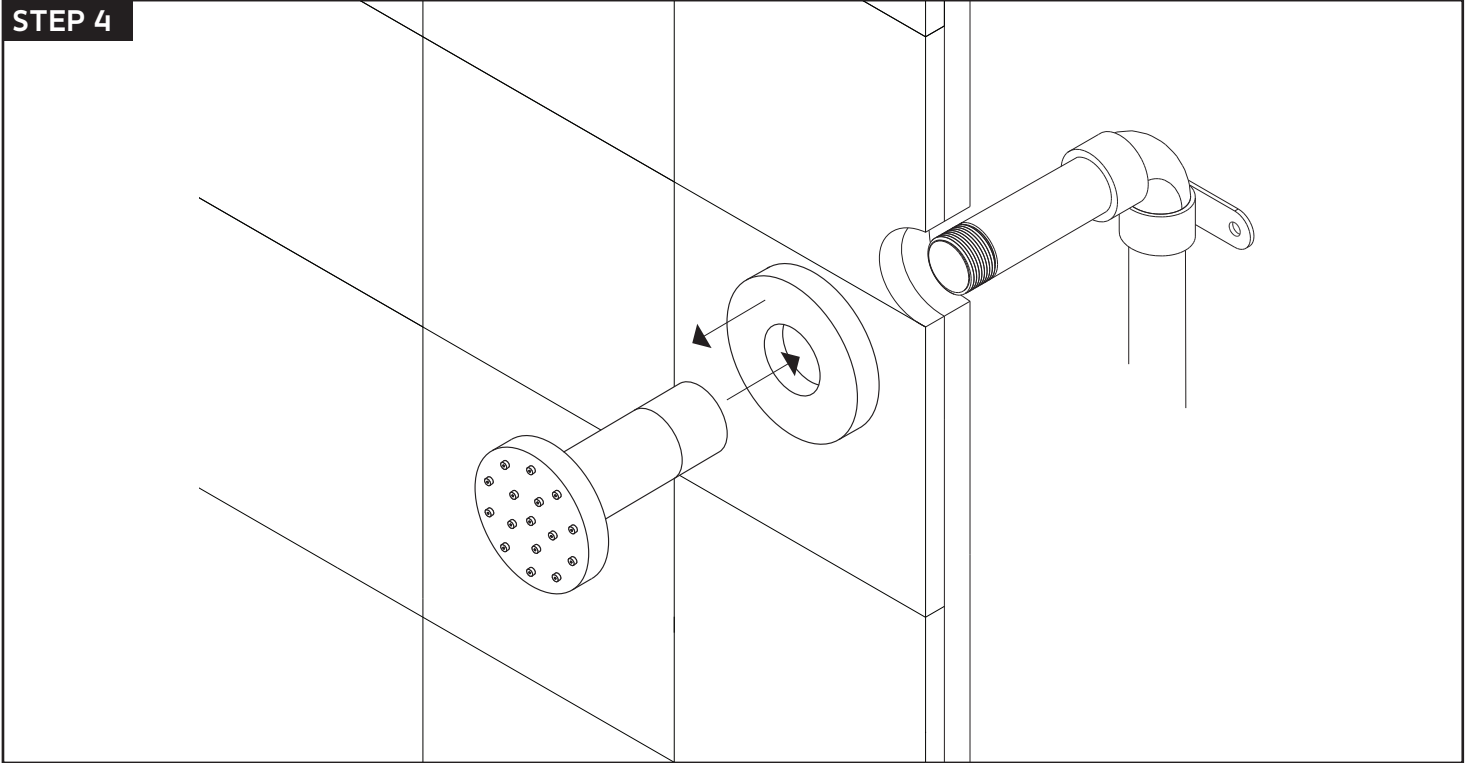


## STEP 3

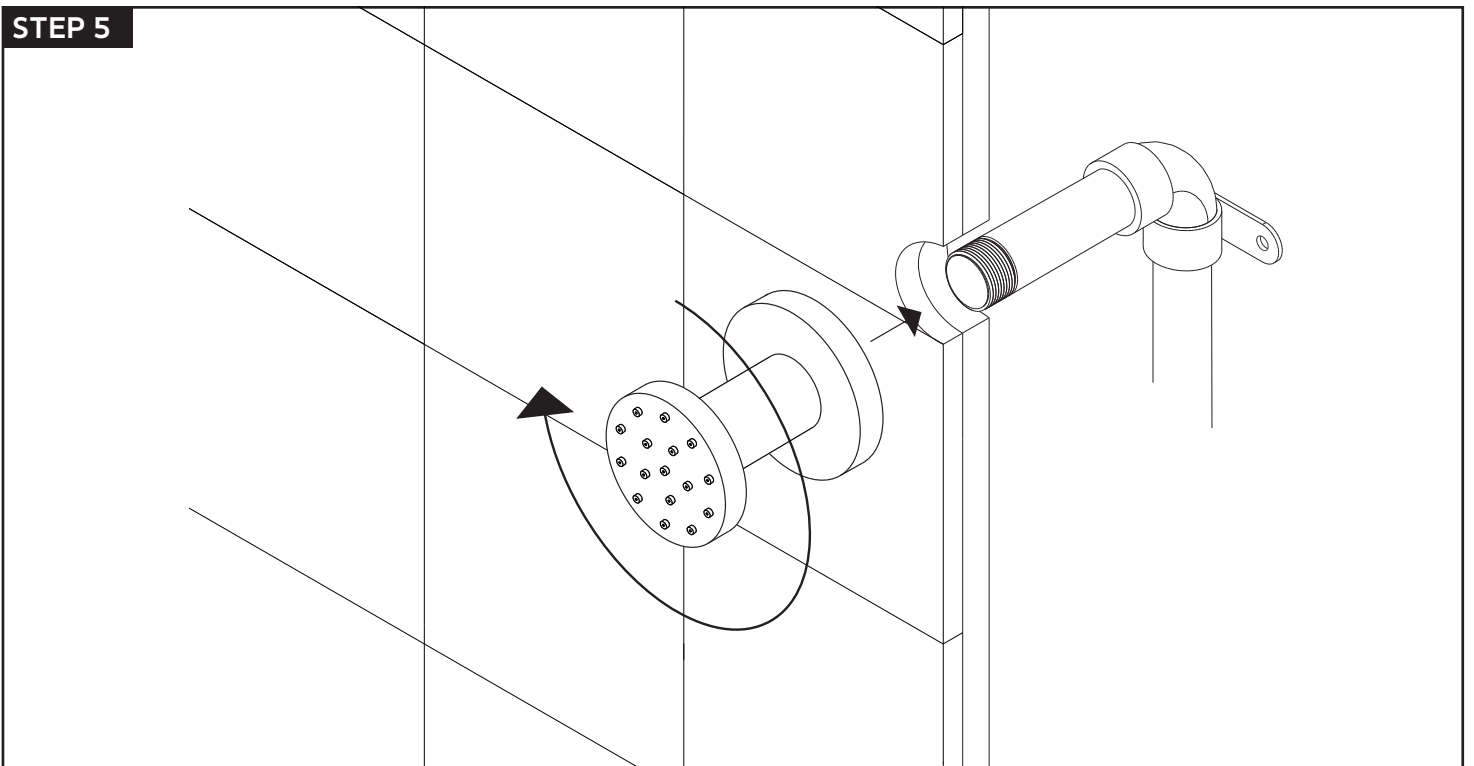


# INSTALLATION STEPS

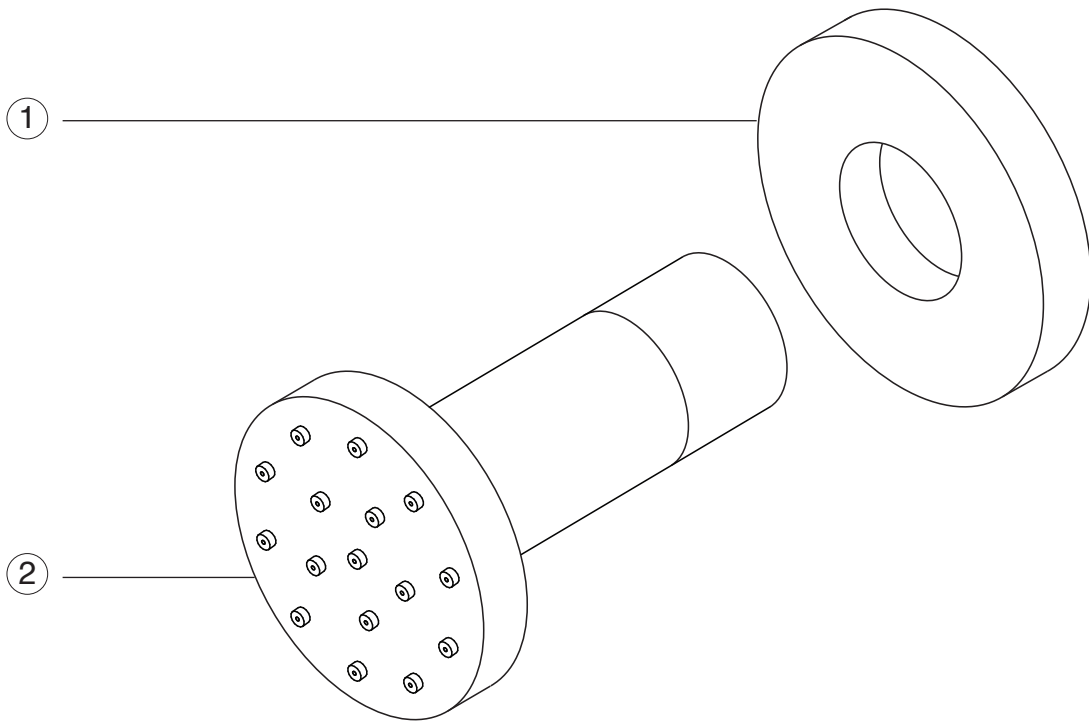
## STEP 4



## STEP 5



body jet rnd



① ESCUTCHEON

② BODY JET