

# artos

F905-1

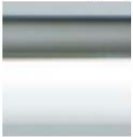
INSTALLATION GUIDE

body jet squ

BRUSHED NICKEL(BN)



CHROME(CH)



BLACK(BK)



# artos

F905-1

body jet squ

## OPERATING SPECIFICATIONS



### FEATURES

Easy Clean Nozzles  
70 Degree Rotation

### OPERATING PRESSURE

Minimum: 15 psi  
Maximum: 75 psi  
Above 90psi it may be necessary to install a pressure reducer

### OPERATING TEMPERATURE

Maximum: 176°

### FLOW RATE

1.8 USGPM

### INLET/OUTLET

1/2" Female

### REQUIREMENTS

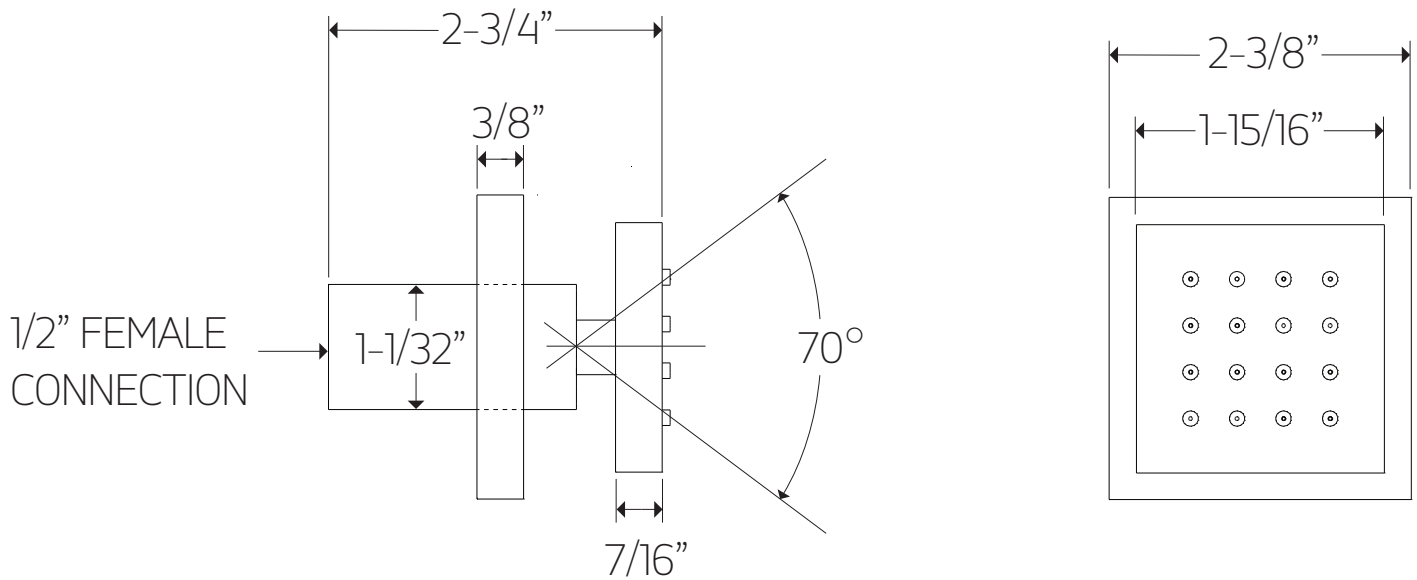
This unit requires a control

# artos

F905-1

## PRODUCT DIMENSIONS

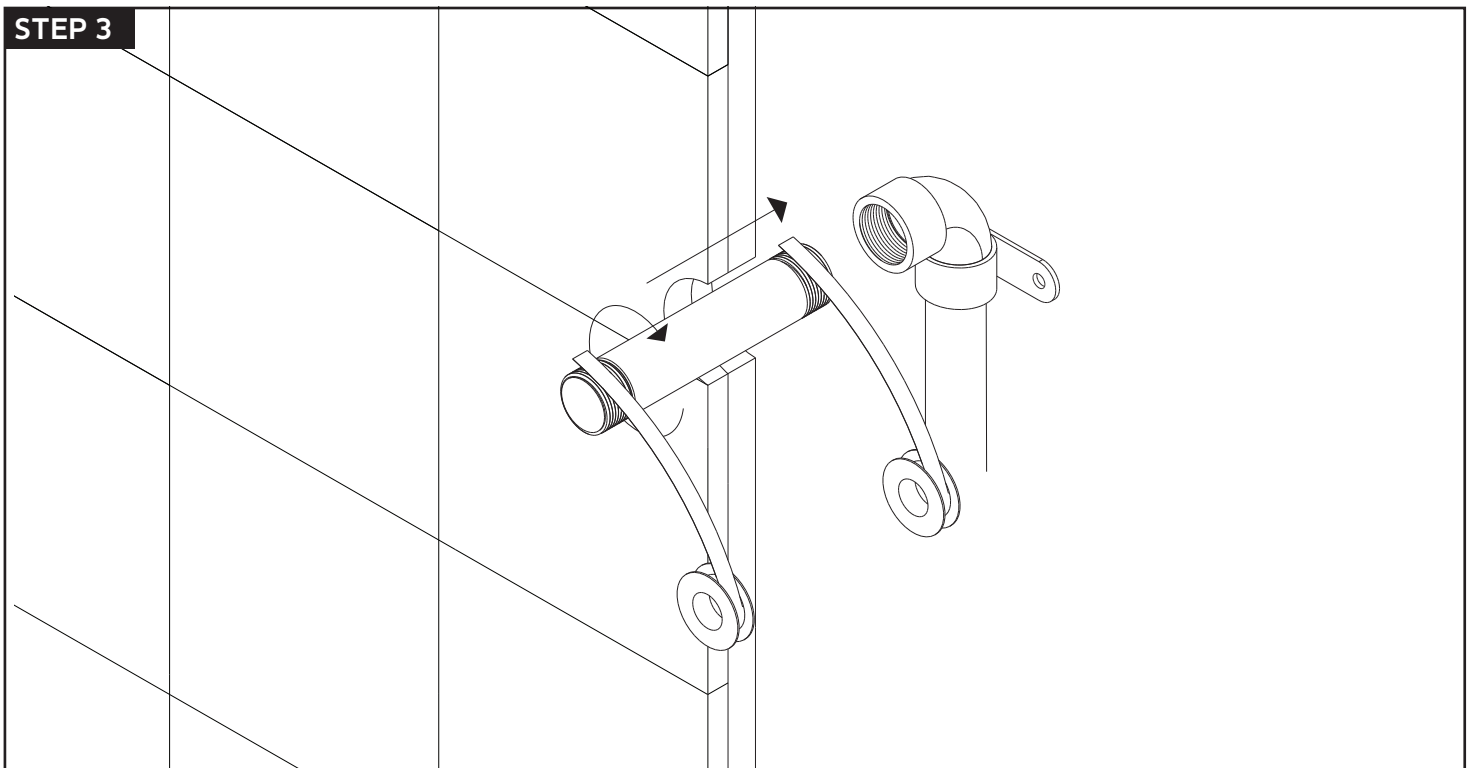
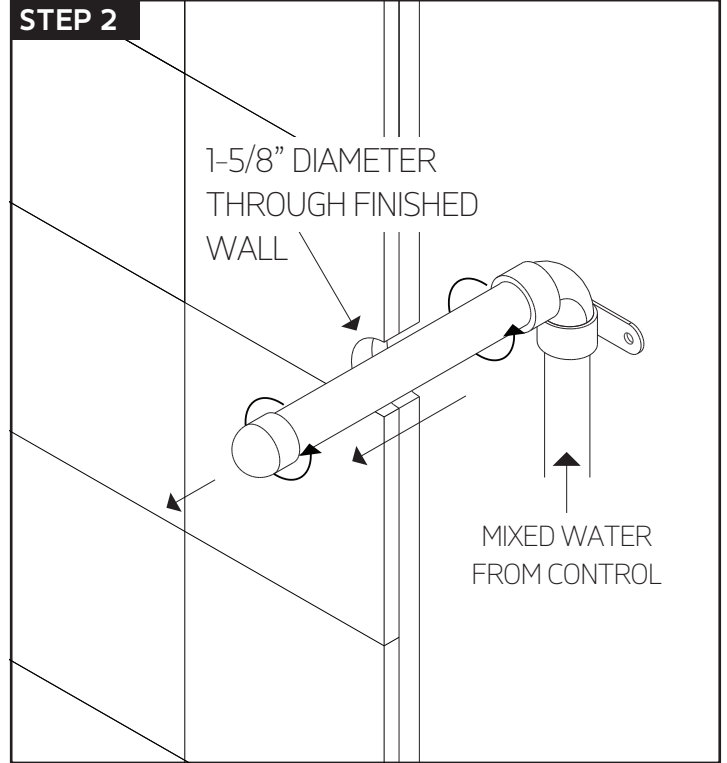
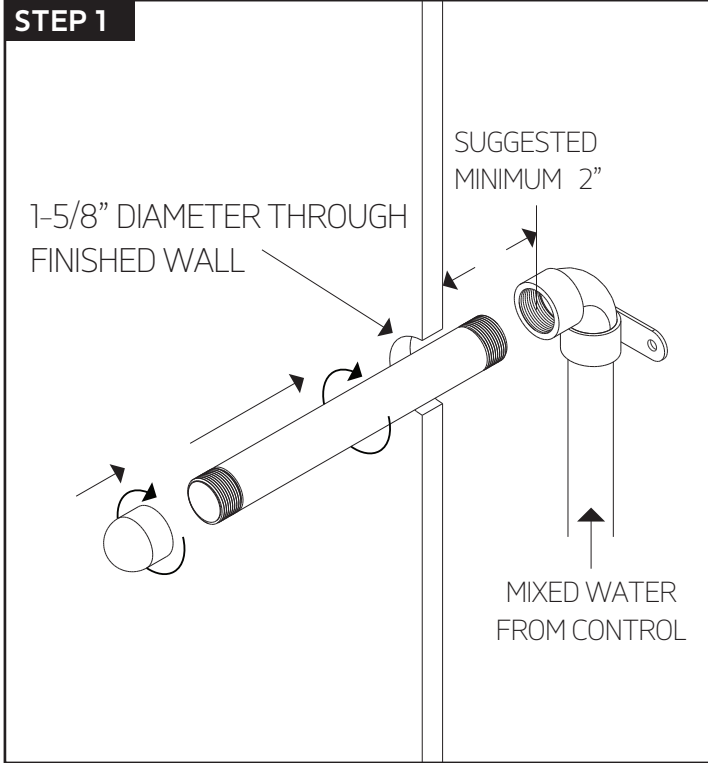
body jet squ



# artos

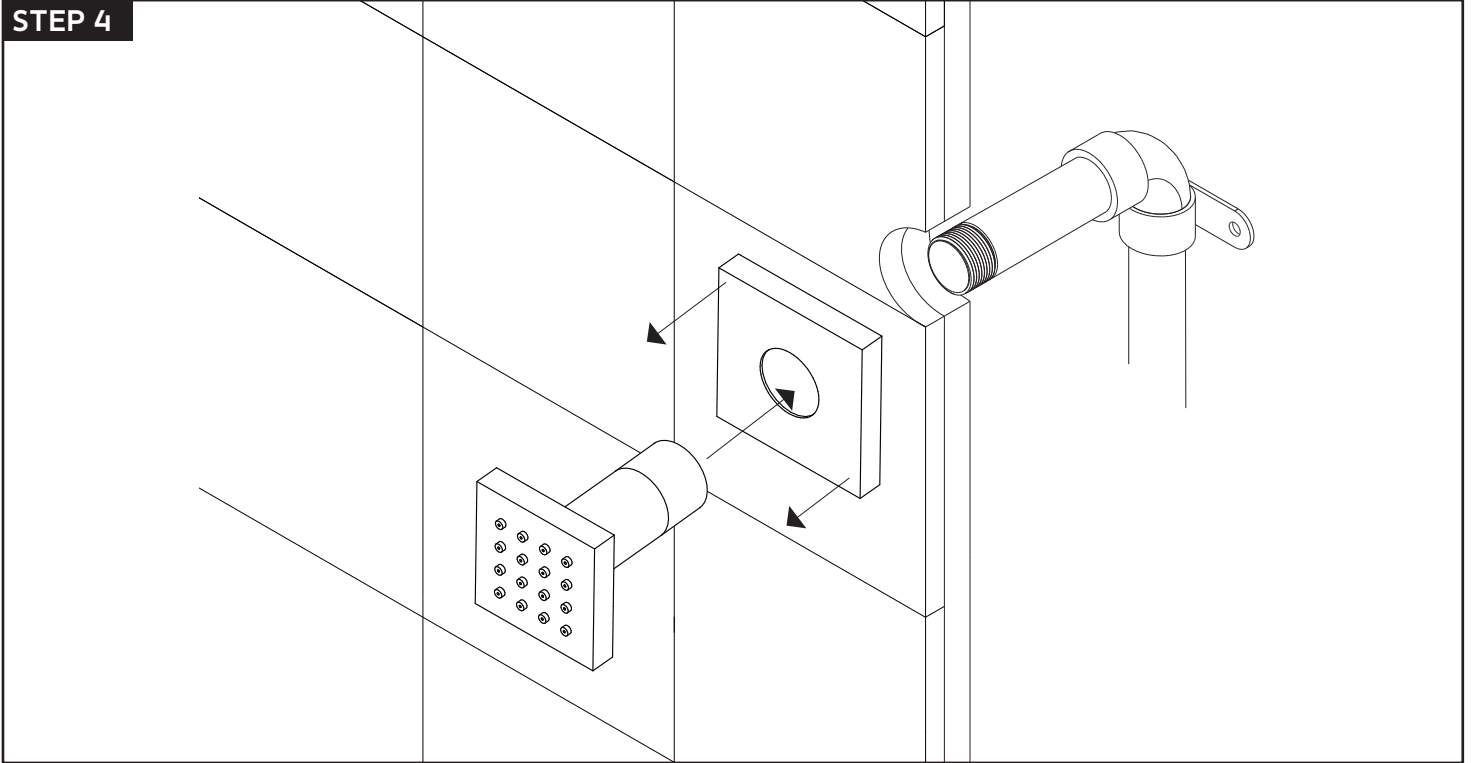
F905-1

body jet squ

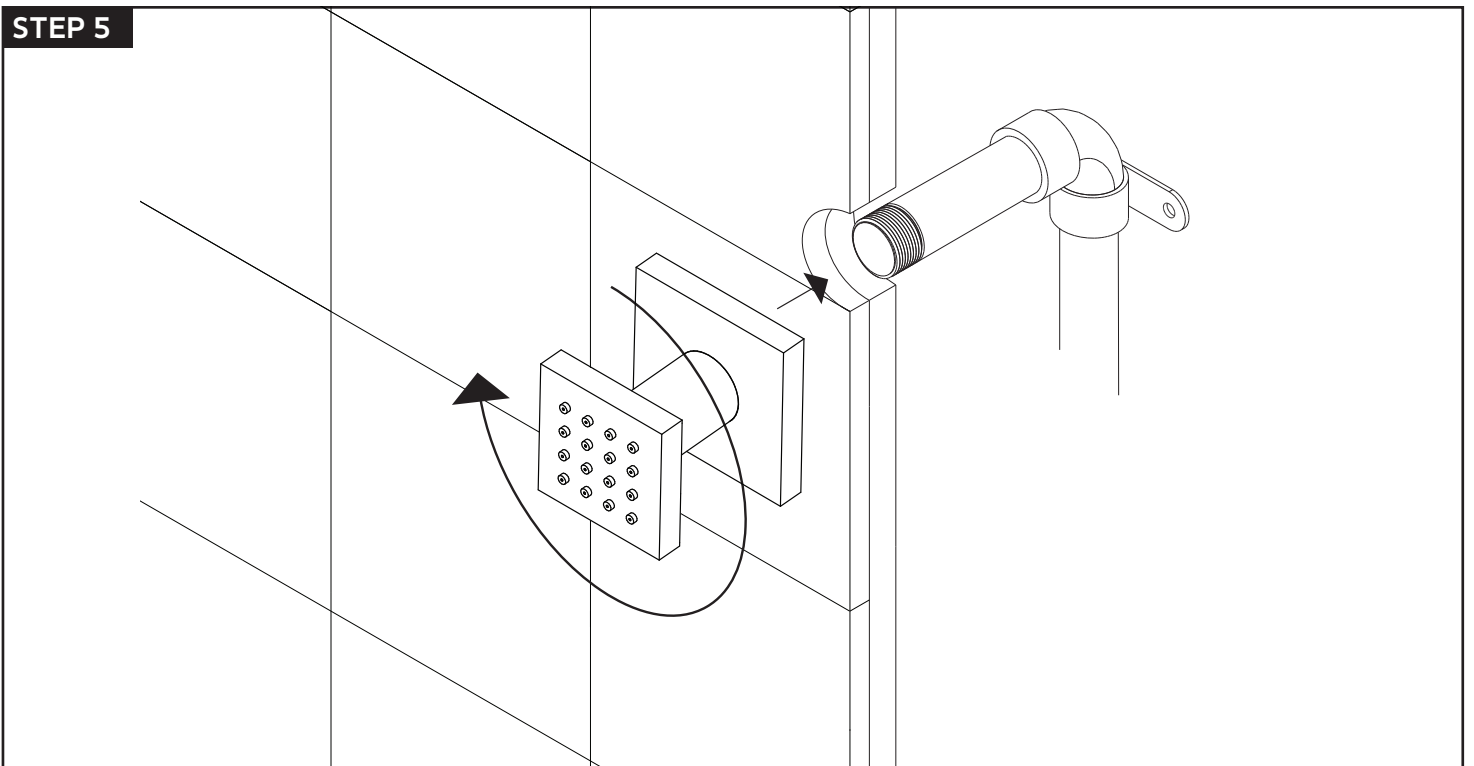


# INSTALLATION STEPS

## STEP 4



## STEP 5

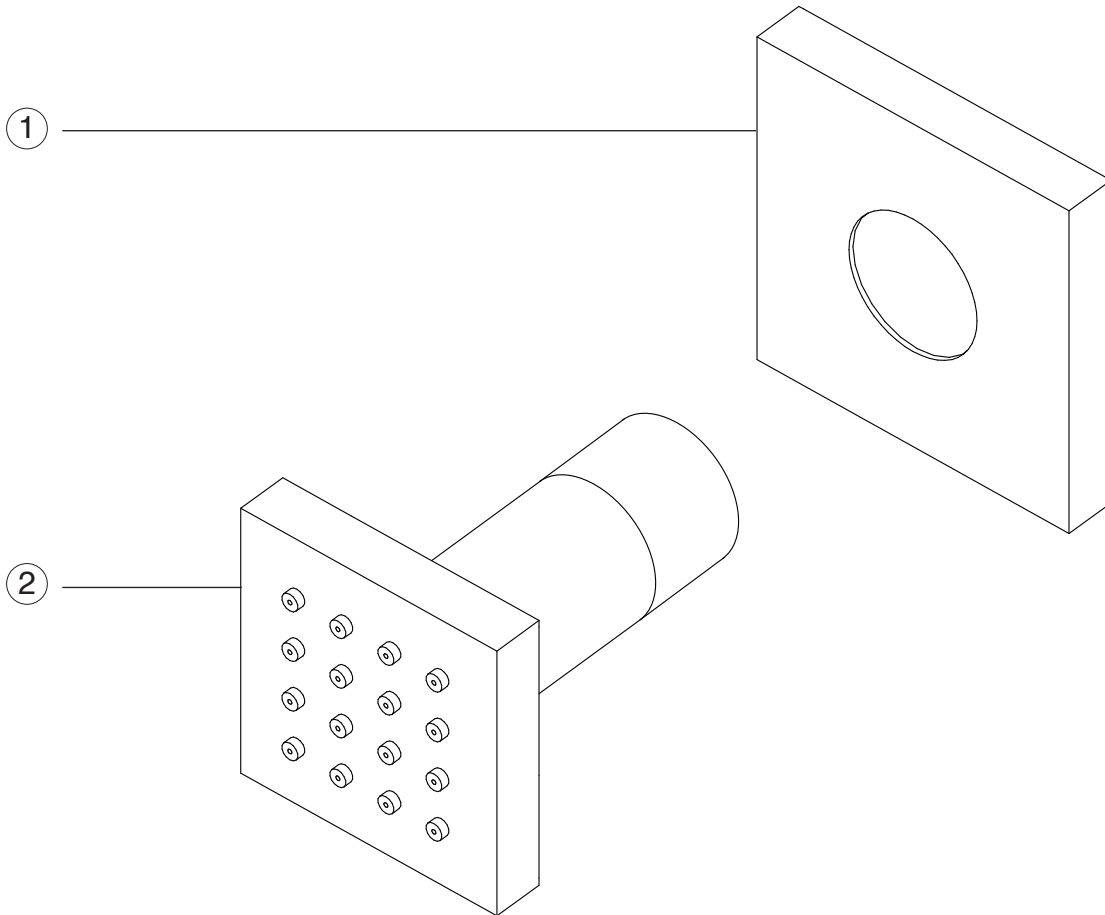


# artos

F905-1

**PARTS BREAKDOWN**

body jet squ



① ESCUTCHEON

② BODY JET