

# artos<sup>®</sup>

## F904A-V0

## INSTALLATION GUIDE

3/4" thermostatic valve only



# artos<sup>®</sup>

## F904A-V0

## OPERATING SPECIFICATIONS

3/4" thermostatic valve only



### MIXED WATER TEMPERATURE

Maximum: 120°F

### HOT WATER SUPPLY TEMPERATURE

Maximum: 185°F

Minimum: 50°F

Advisable: 150°F- 160°F

Minimum difference between hot mixed temperature 50°F

### OPERATING PRESSURE

Maximum: 125psi

Minimum: 20psi

Recommended: 30psi- 95psi

Operating pressures (on hot and cold lines) should be kept as balanced as possible, in order to assure the maximum efficiency.

### STANDARDS

ASSE 1016.ASME A112.18.1/CSA B123.1 Certified

### CODES

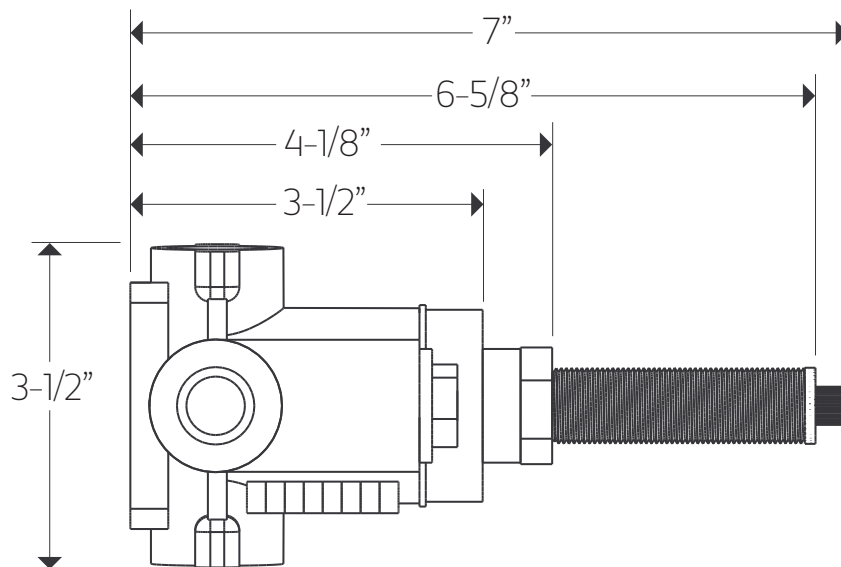
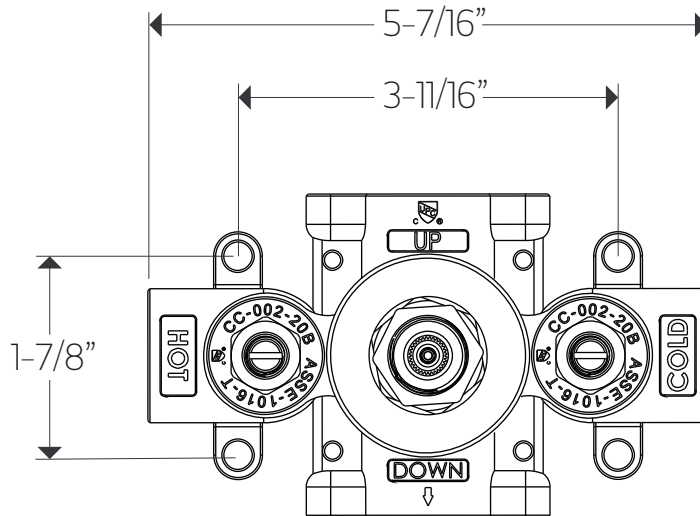
CUPC Approved

# artos<sup>®</sup>

## F904A-V0

## PRODUCT DIMENSIONS

3/4" thermostatic valve only

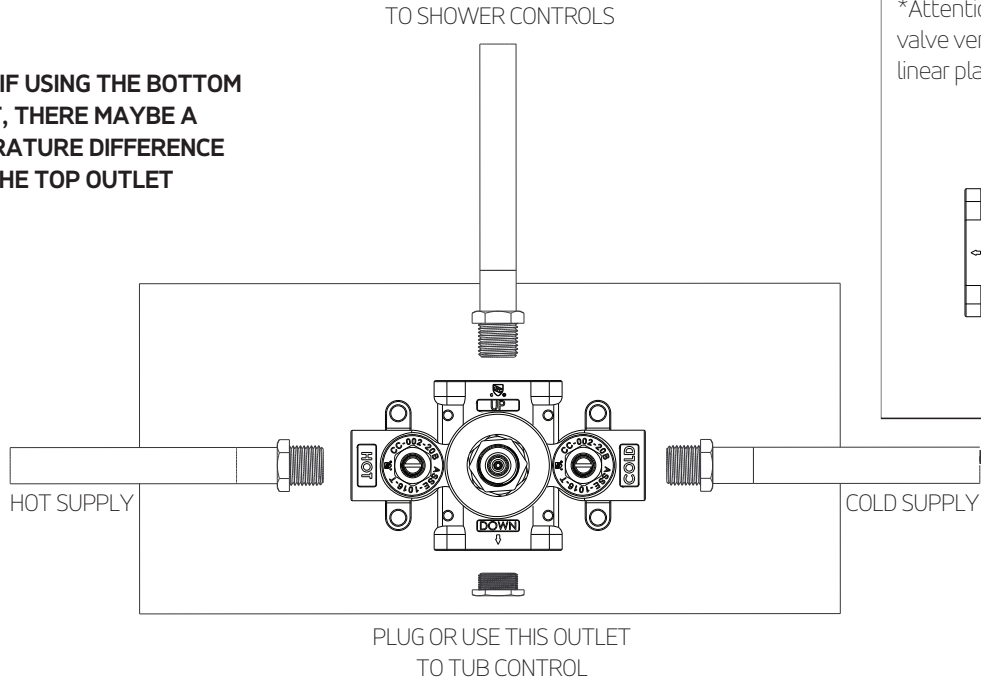


## F904A-V0

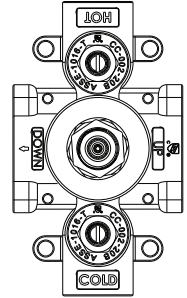
3/4" thermostatic valve only

### STEP 1 IMPORTANT: IF USING HEAT NEAR THE VALVE BODY PLEASE REMOVE CARTRIDGE.

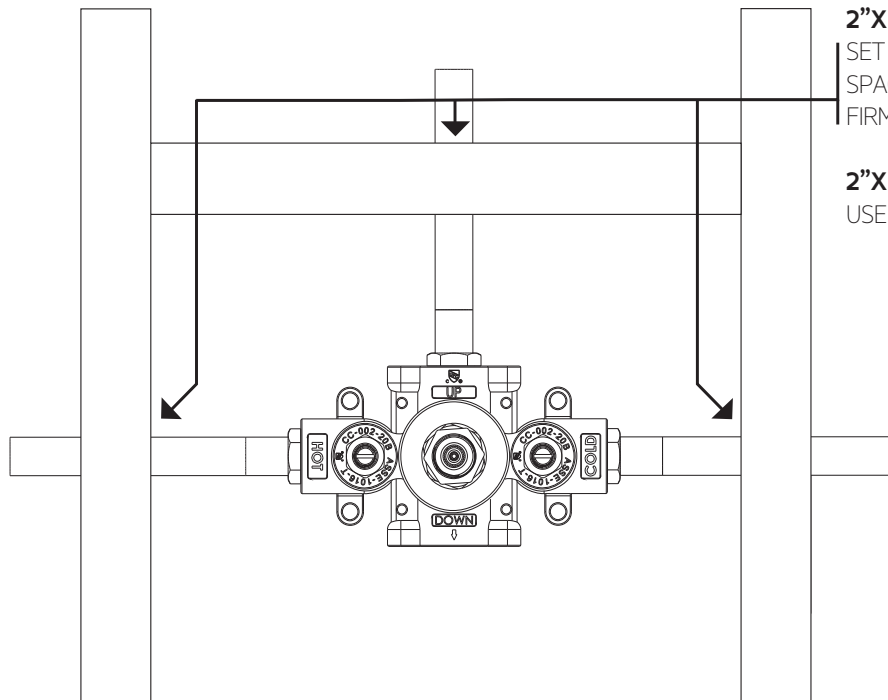
**\*NOTE, IF USING THE BOTTOM OUTLET, THERE MAYBE A TEMPERATURE DIFFERENCE FROM THE TOP OUTLET**



\*Attention please install the valve vertically if using the linear plate vertically.



### STEP 2



#### 2"X 4" WALLS

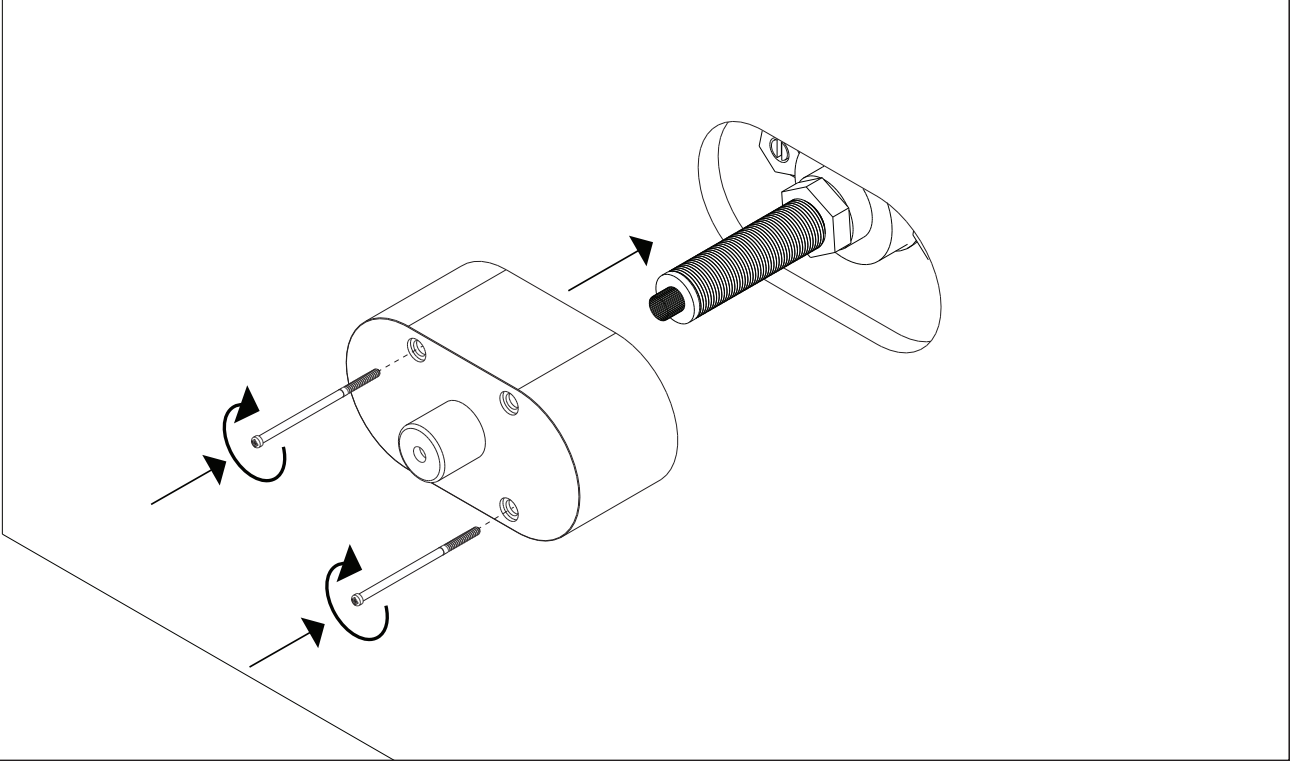
SET VALVE TO BACK OF SPACE AND STRAP PIPES FIRMLY TO FRAMEWORK

#### 2"X 6" WALLS

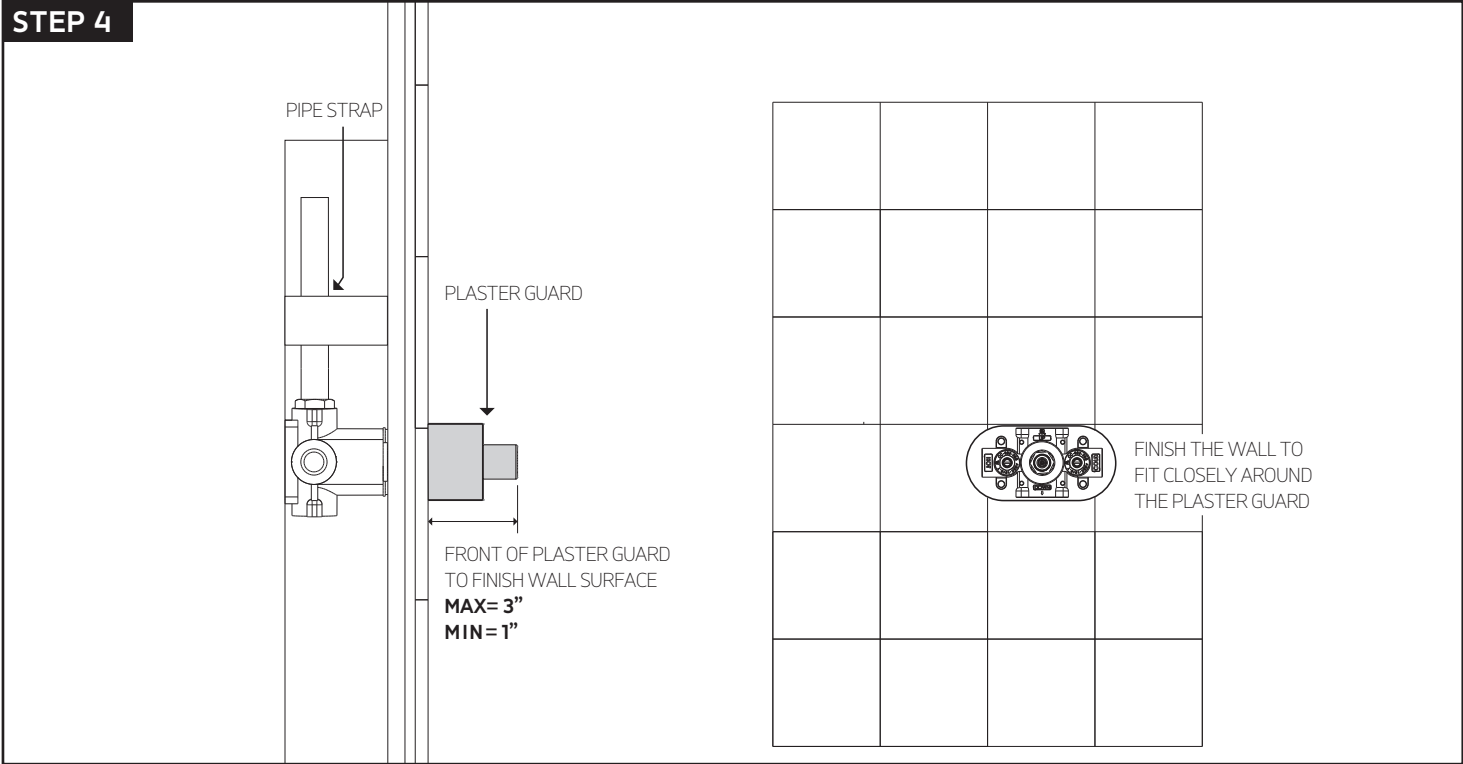
USE PLYWOOD BACKER

# INSTALLATION STEPS

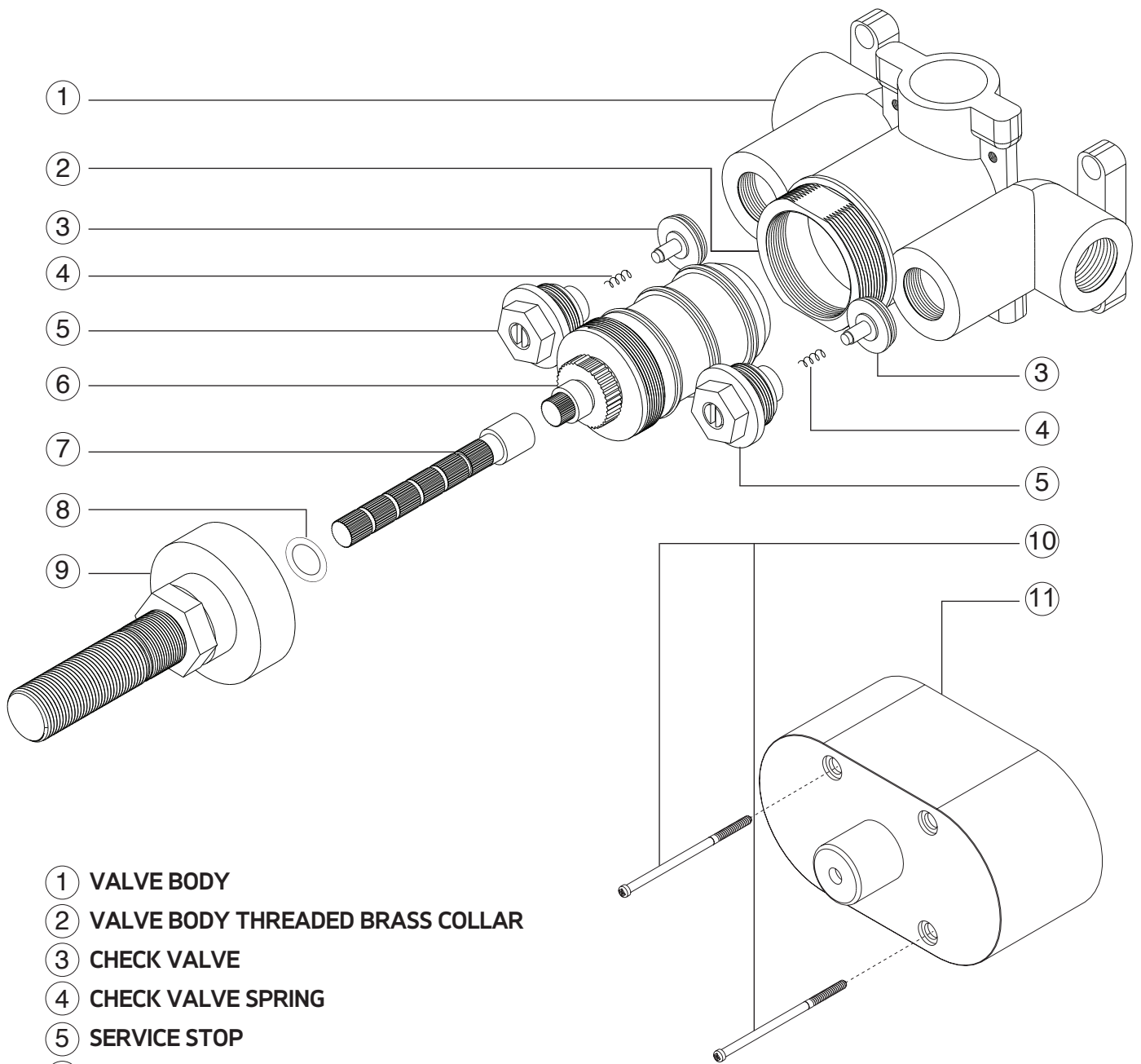
## STEP 3



## STEP 4



3/4" thermostatic valve only



- ① VALVE BODY
- ② VALVE BODY THREADED BRASS COLLAR
- ③ CHECK VALVE
- ④ CHECK VALVE SPRING
- ⑤ SERVICE STOP
- ⑥ CARTRIDGE: XP-13040
- ⑦ HANDLE STEM
- ⑧ WASHER
- ⑨ ESCUTCHEON STEM
- ⑩ PLASTER GUARD
- ⑪ PLASTER GUARD SCREWS