

artos

F904A-8TK

INSTALLATION GUIDE

3/4" thermostatic valve trim
kit only squ

BRUSHED NICKEL(BN)



CHROME(CH)



BLACK(BK)



artos

F904A-8TK

3/4" thermostatic valve trim
kit only squ

OPERATING SPECIFICATIONS

for associated valve | F904A-V0



MIXED WATER TEMPERATURE

Maximum: 120°F

HOT WATER SUPPLY TEMPERATURE

Maximum: 185°F

Minimum: 50°F

Advisable: 150°F- 160°F

Minimum difference between hot mixed temperature 50°F

OPERATING PRESSURE

Maximum: 125psi

Minimum: 20psi

Recommended: 30psi- 95psi

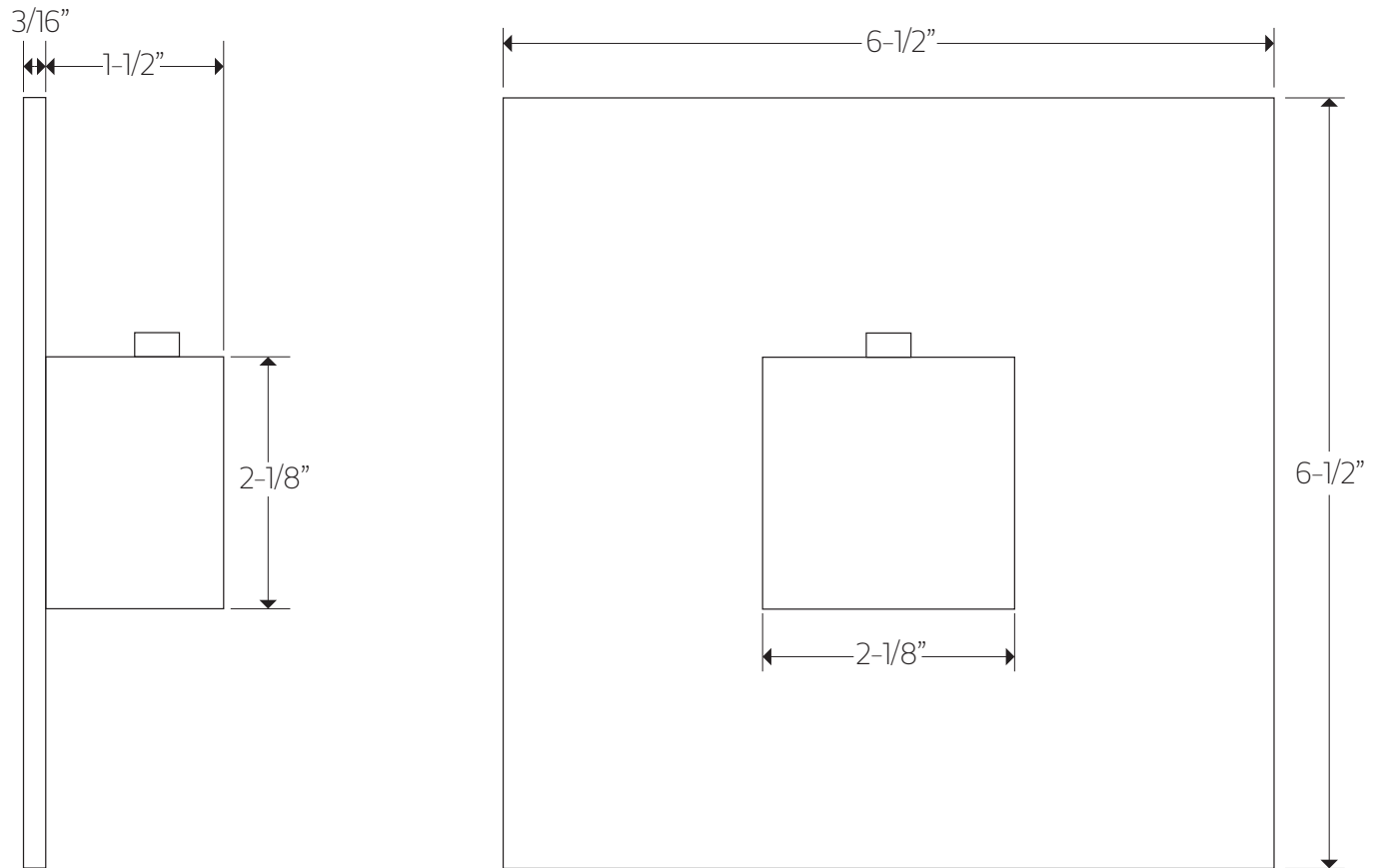
Operating pressures (on hot and cold lines) should be kept as balanced as possible, in order to assure the maximum efficiency.

artos

F904A-8TK

PRODUCT DIMENSIONS

3/4" thermostatic valve trim
kit only squ

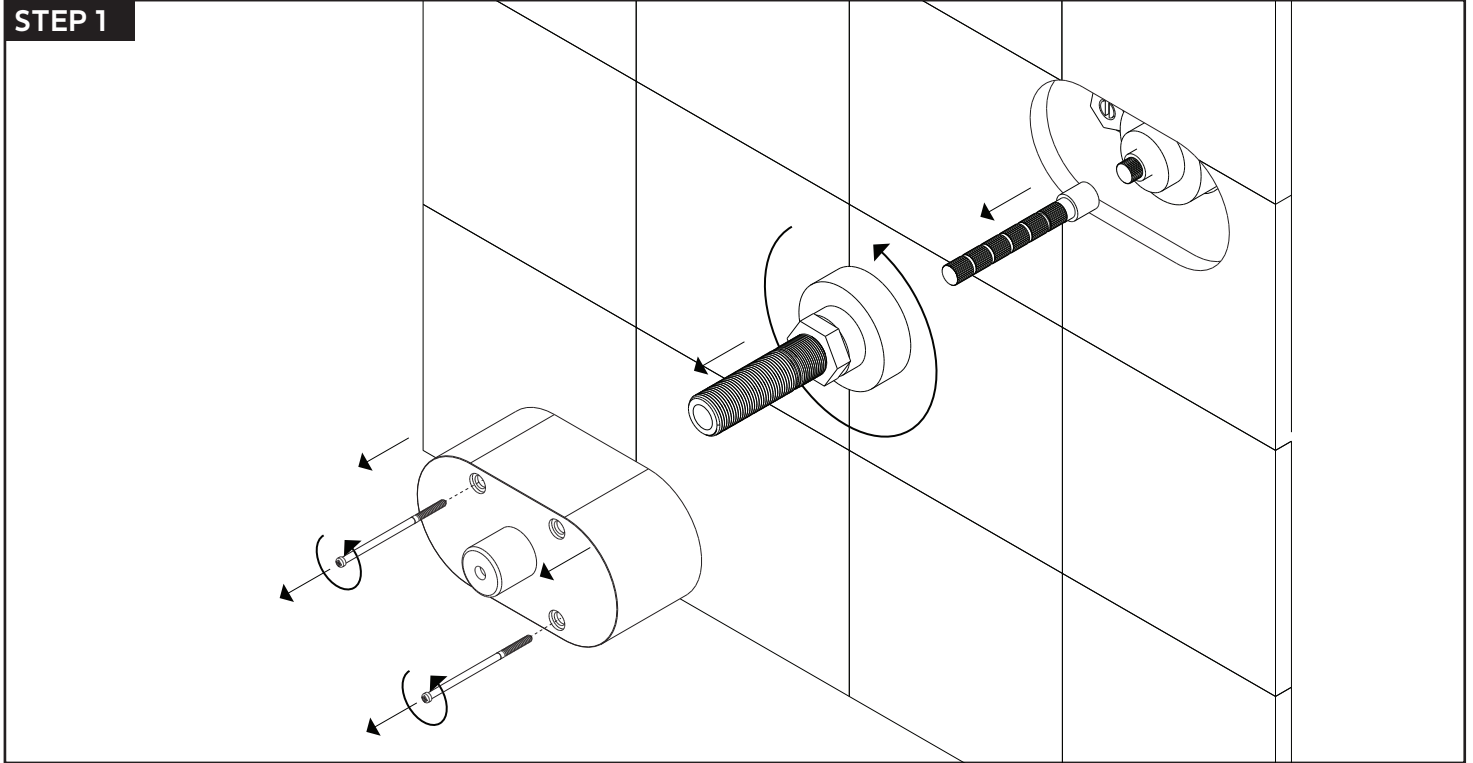


artos

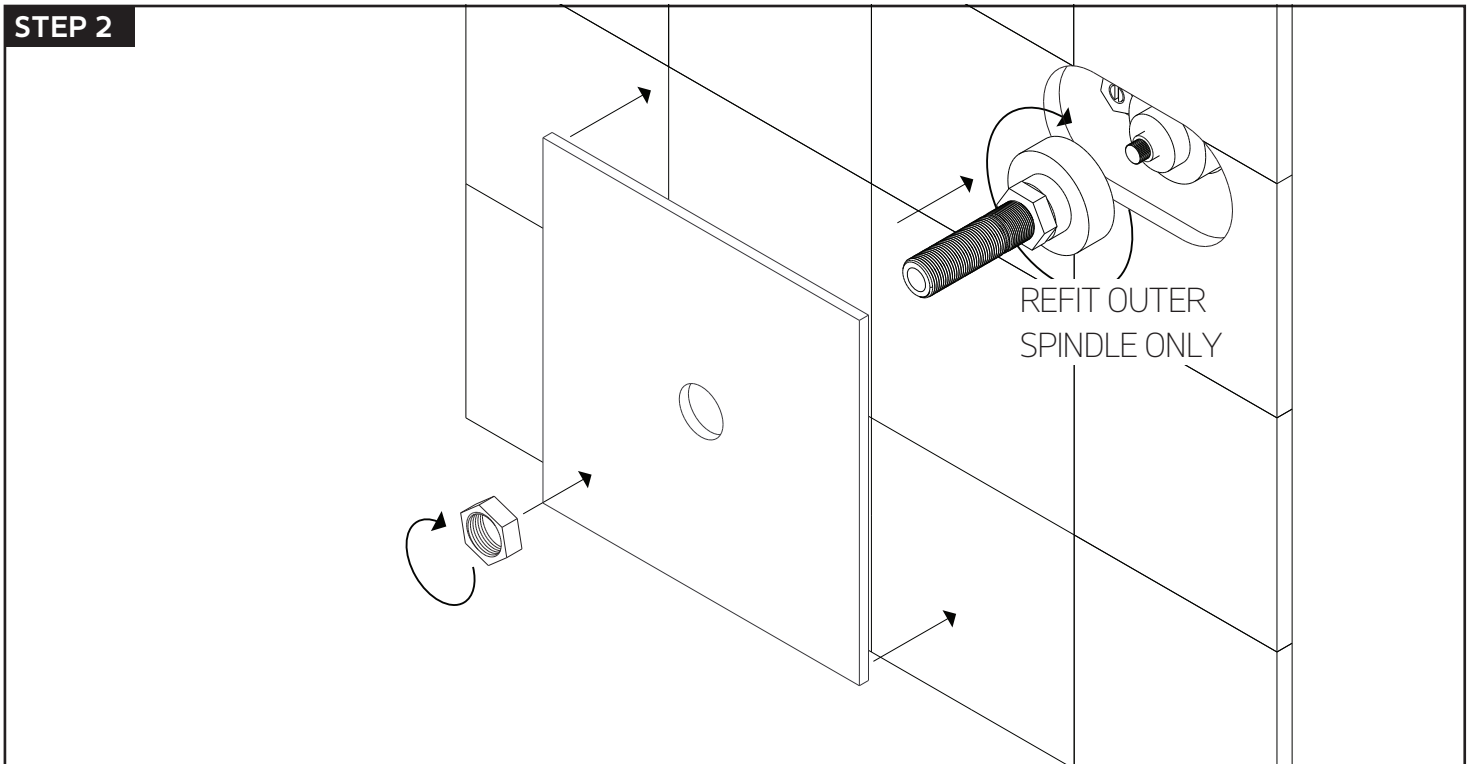
F904A-8TK

3/4" thermostatic valve trim
kit only squ

STEP 1

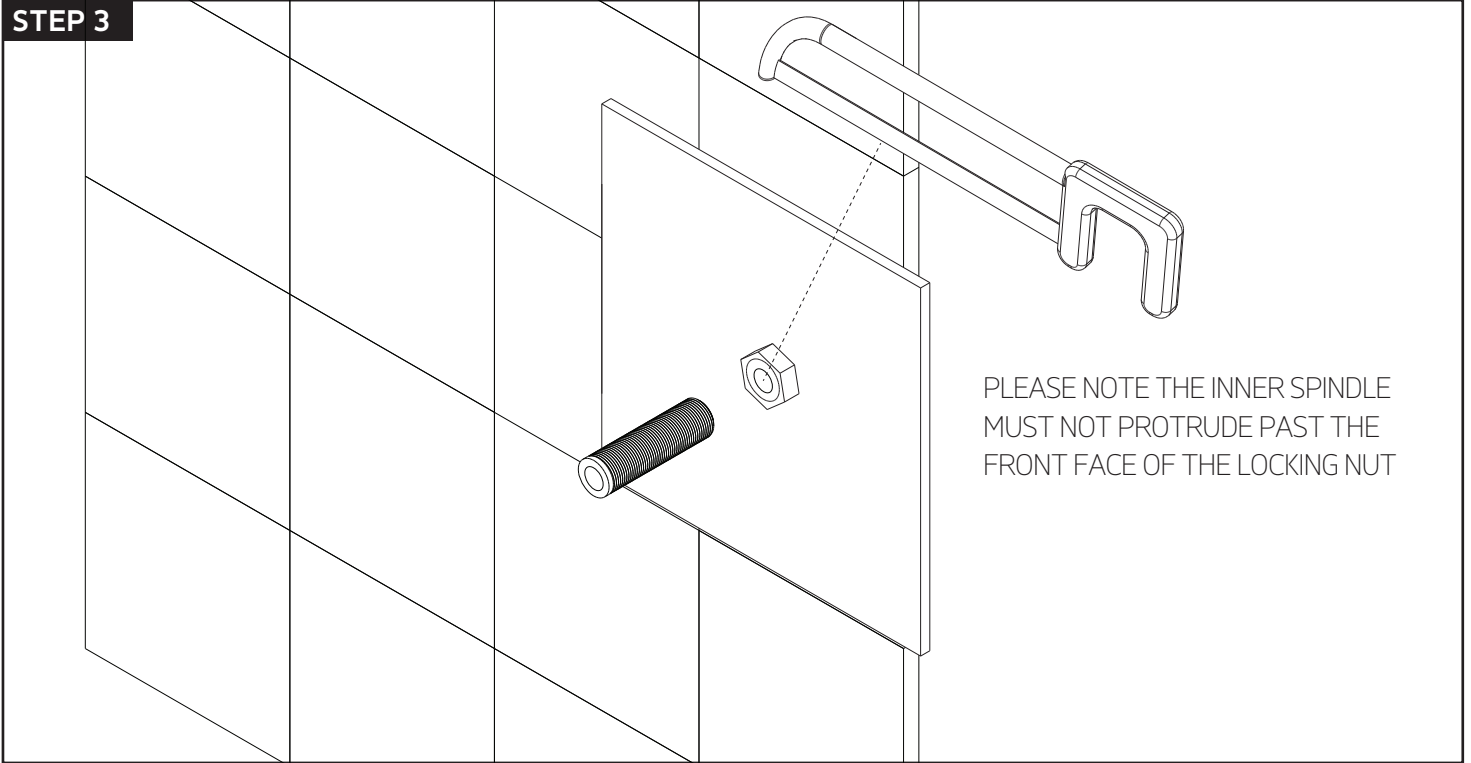


STEP 2

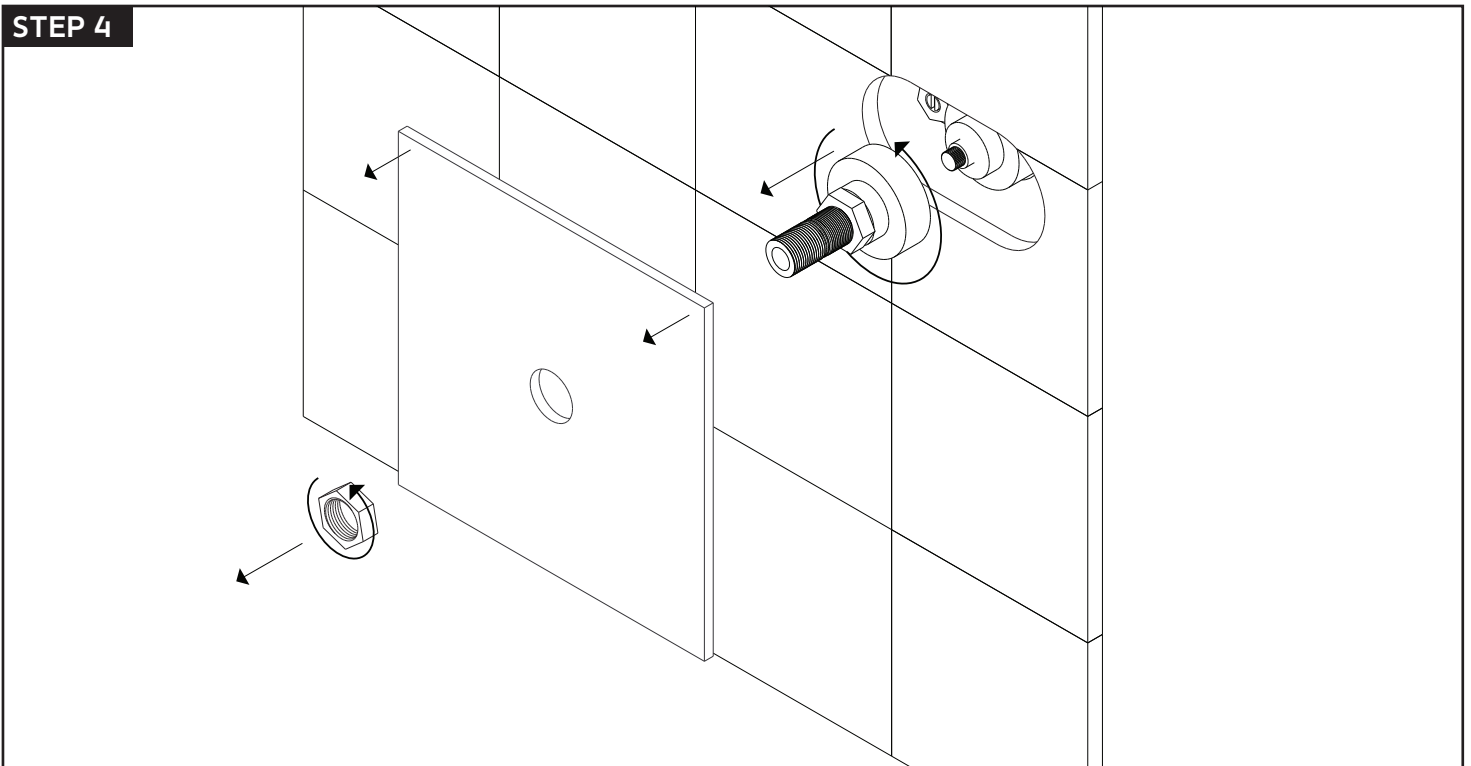


INSTALLATION STEPS

STEP 3



STEP 4

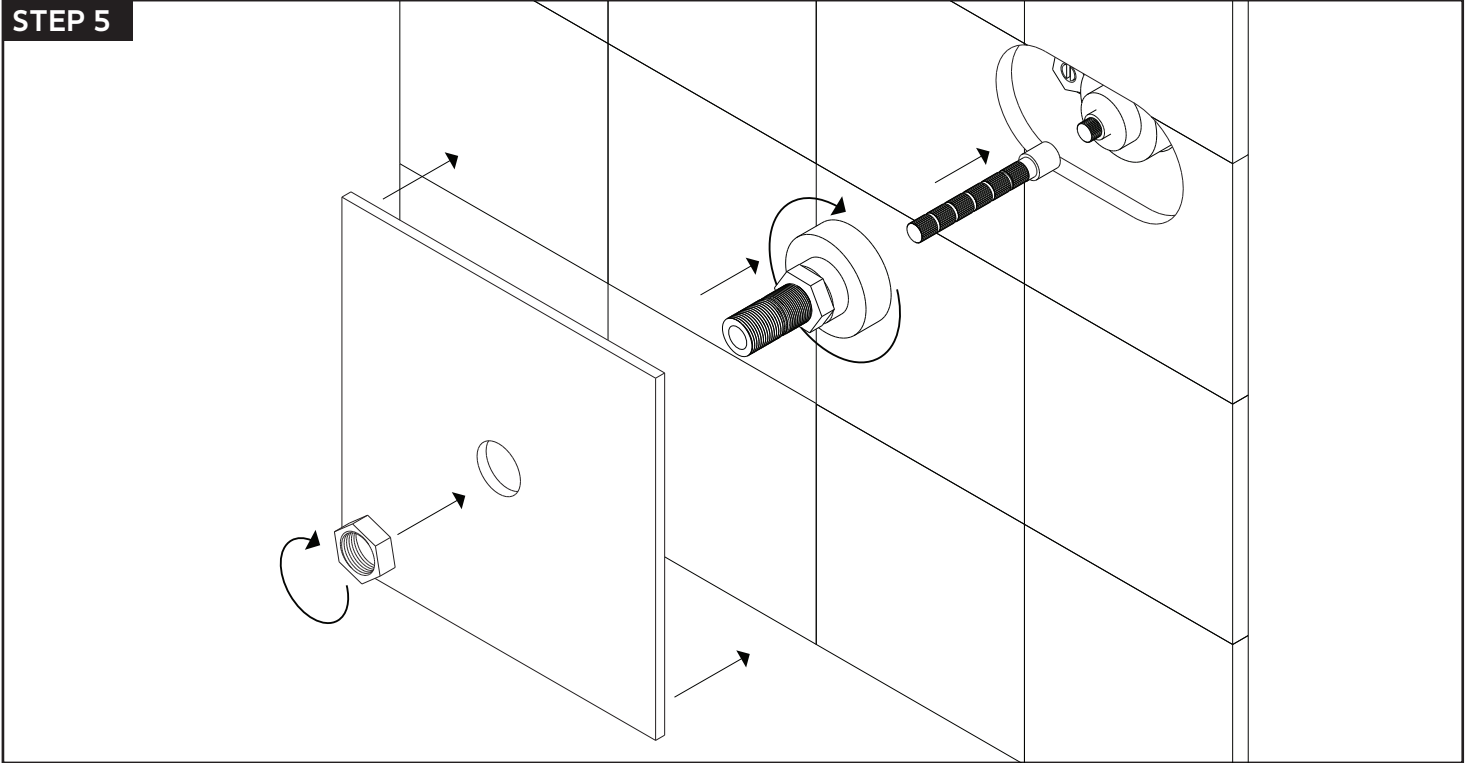


artos

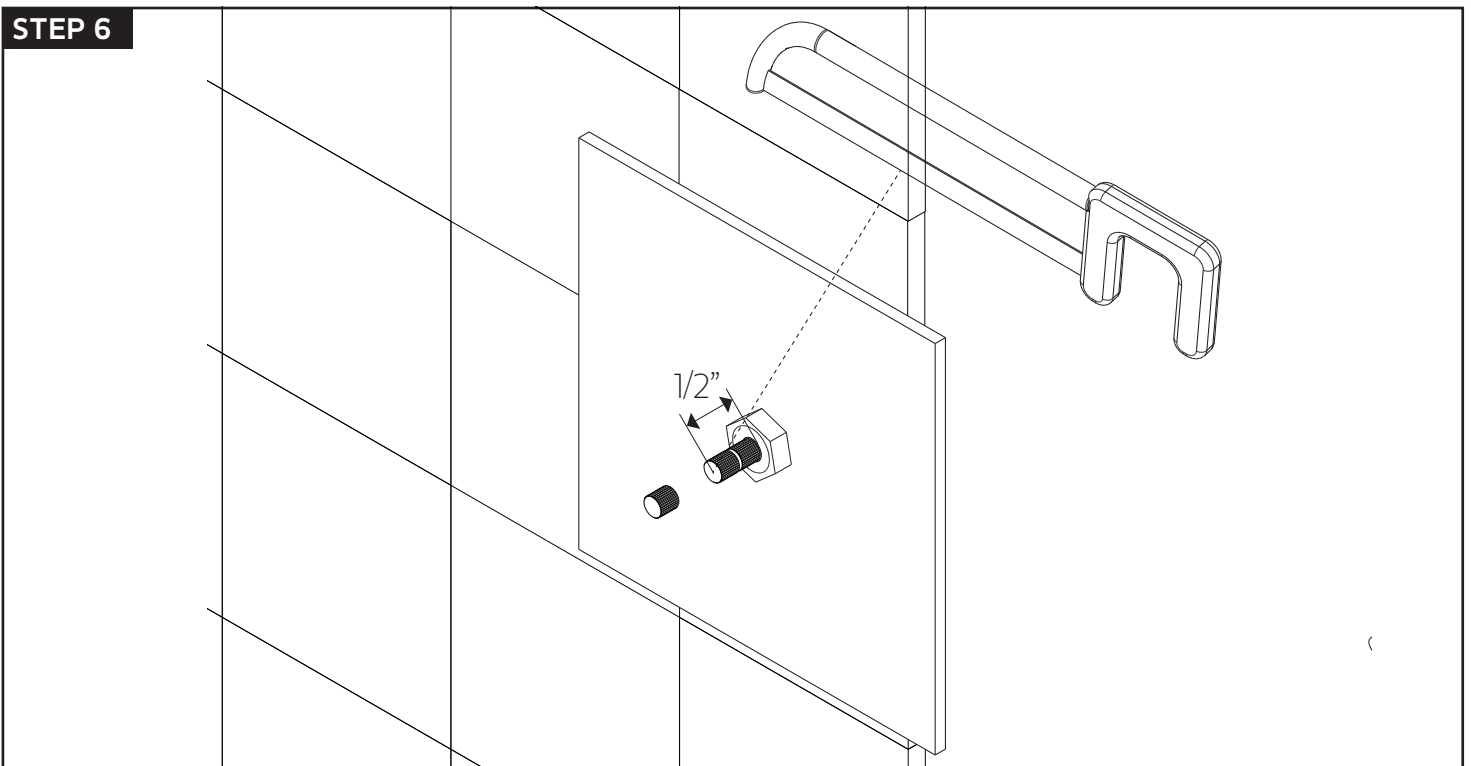
F904A-8TK

3/4" thermostatic valve trim
kit only squ

STEP 5

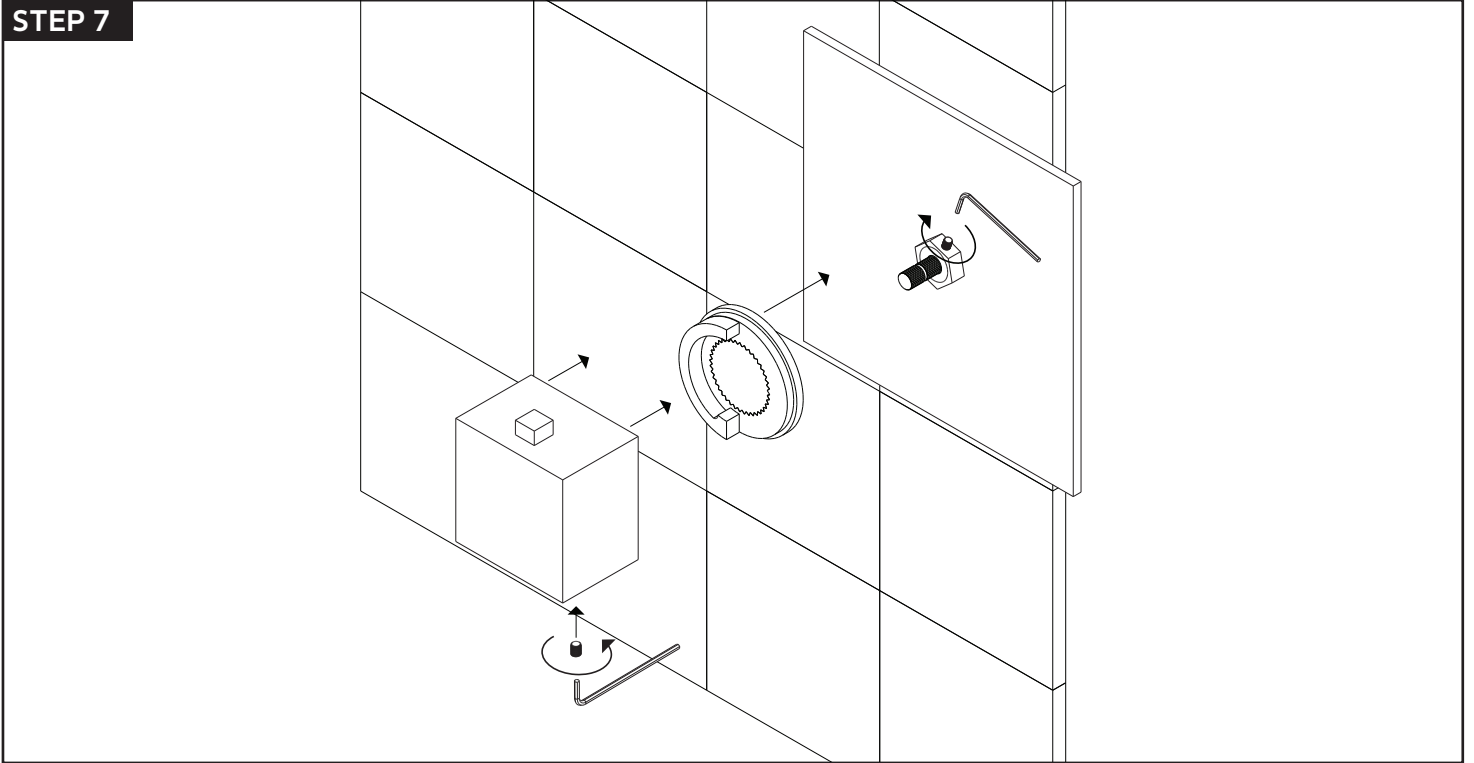


STEP 6



INSTALLATION STEPS

STEP 7

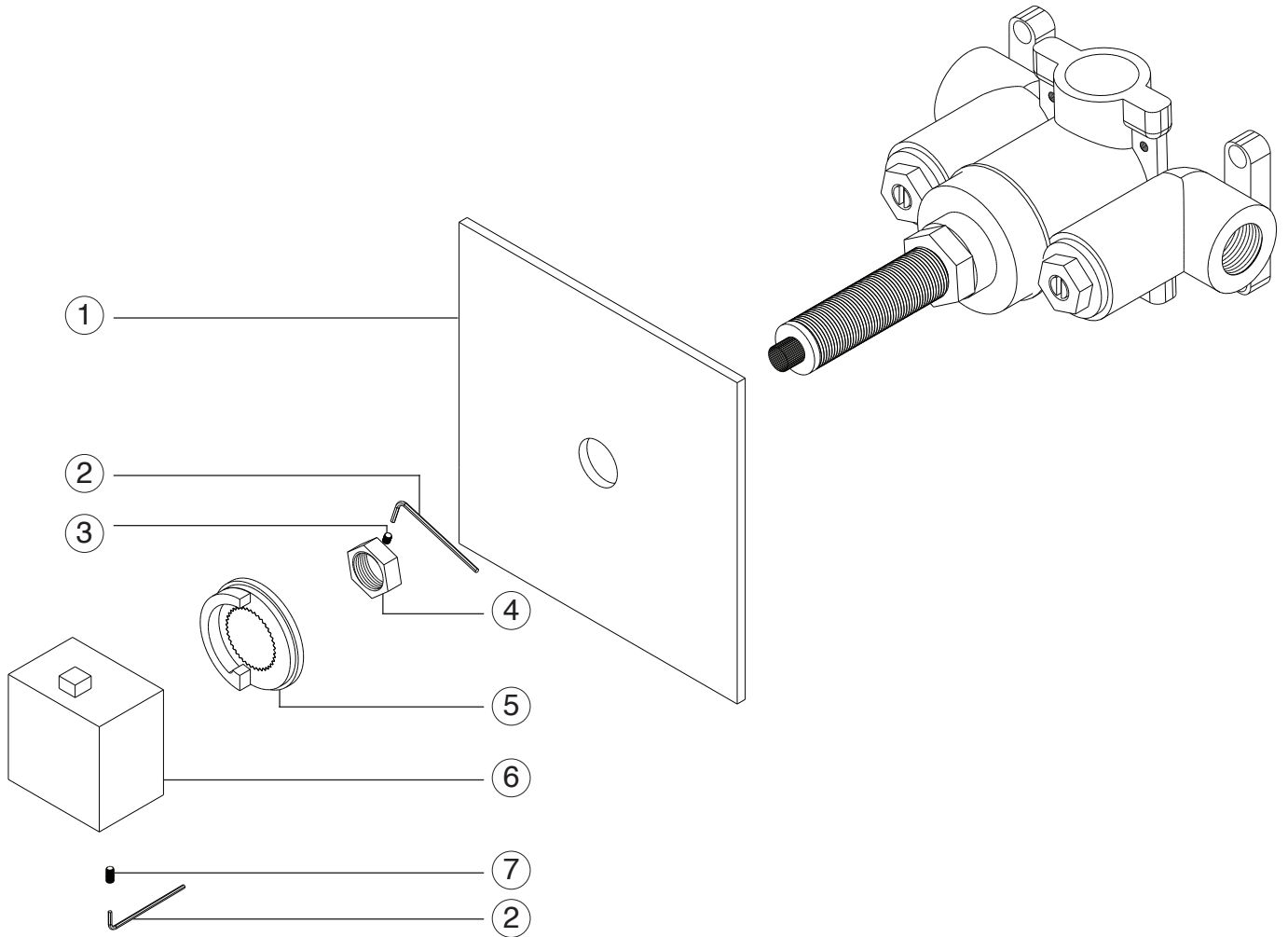


artos

F904A-8TK

PARTS BREAKDOWN

3/4" thermostatic valve trim
kit only squ



- ① ESCUTCHEON
- ② ALLEN WRENCH
- ③ LOCKING NUT SET SCREW
- ④ LOCKING NUT
- ⑤ ANTI SCOLD RING
- ⑥ HANDLE
- ⑦ HANDLE SET SCREW